

# ACT2080 - Single Lever

Product Finish: Chrome

EAN13 barcode: 5060344152631



## Product features:

- Metal construction throughout
- Single lever control for effortless single handed control
- Custom designed for lower to mid pressures
- Supplied complete with flexible tail pipes for fast simple fitting
- Luscious quality chromium plate finish

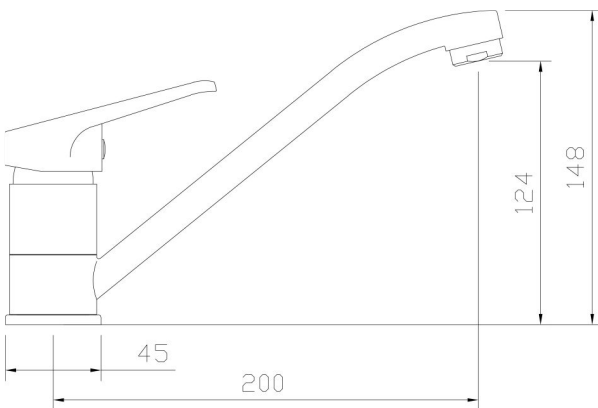
## Additional information / Parts included:

1 x metal horseshoe, 1 x rubber horseshoe, 1 x fixing nut, 1 x rubber seal

## Primary WRAS fittings number (see [www.wras.co.uk](http://www.wras.co.uk)):

2007317

## Product dimensions:



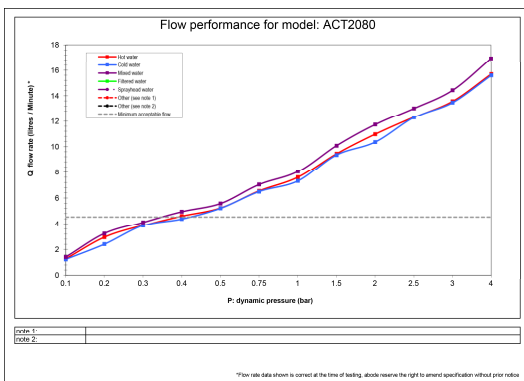
- Overall Height / projection: 148 mm
- Exit reach: 200 mm
- Exit height: 124 mm
- Centre distance(s): n/a
- Base diameter(s): 45 mm
- Recommended hole diameter:  $\varnothing$  35 mm
- Max. surface depth: 80 mm
- Spout diameter: n/a mm
- Spout aerator size: 24mm

## Packaged properties:

Box length: 298 mm  
Box width: 128 mm  
Tap only weight: 0.51 kg

Box depth: 63 mm  
Units per outer: 10  
Boxed weight: 0.85 kg

## Product flow characteristics:



- Min / Max water pressure: 0.40 / 5.5 bar
- Recommended / Max water temperature: 46°C / 70°C
- Part G - Mixed flow rate at 3 bar (litres / min): 14.51

- Control valve type: 35mm  $\varnothing$  single lever ceramic cartridge
- Flow characteristics: Single Flow
- Non return valve(s): No

- Aerator type: Honeycomb
- Spout connection method: Base plinth removes

- Tail pipe inlet / outlet size: M10 / 1/2" Male / 15mm ID with 2 x 15mm nuts and olives
- Inlet pipe type / length: flexible stainless braided hose / 300 mm

## Care instructions summary:

- Clean the mixers and showers regularly as required, using soap, do not use any other cleaners.
- Regular cleaning will prevent the build up of lime scale and dirt
- After cleaning rinse thoroughly with clean water to remove any cleaner residue
- Residues of sink & worktop cleaners can also cause damage, so rinse with clean water after using, avoid contact with any abrasives

## Warranty Summary (Full details available on request):

- Materials and workmanship defects warranted for 5 years
- Valves and working parts warranted for 5 years
- Surface warranty defects warranted for 1 year
- O-rings, hoses & gaskets warranted for 1 year