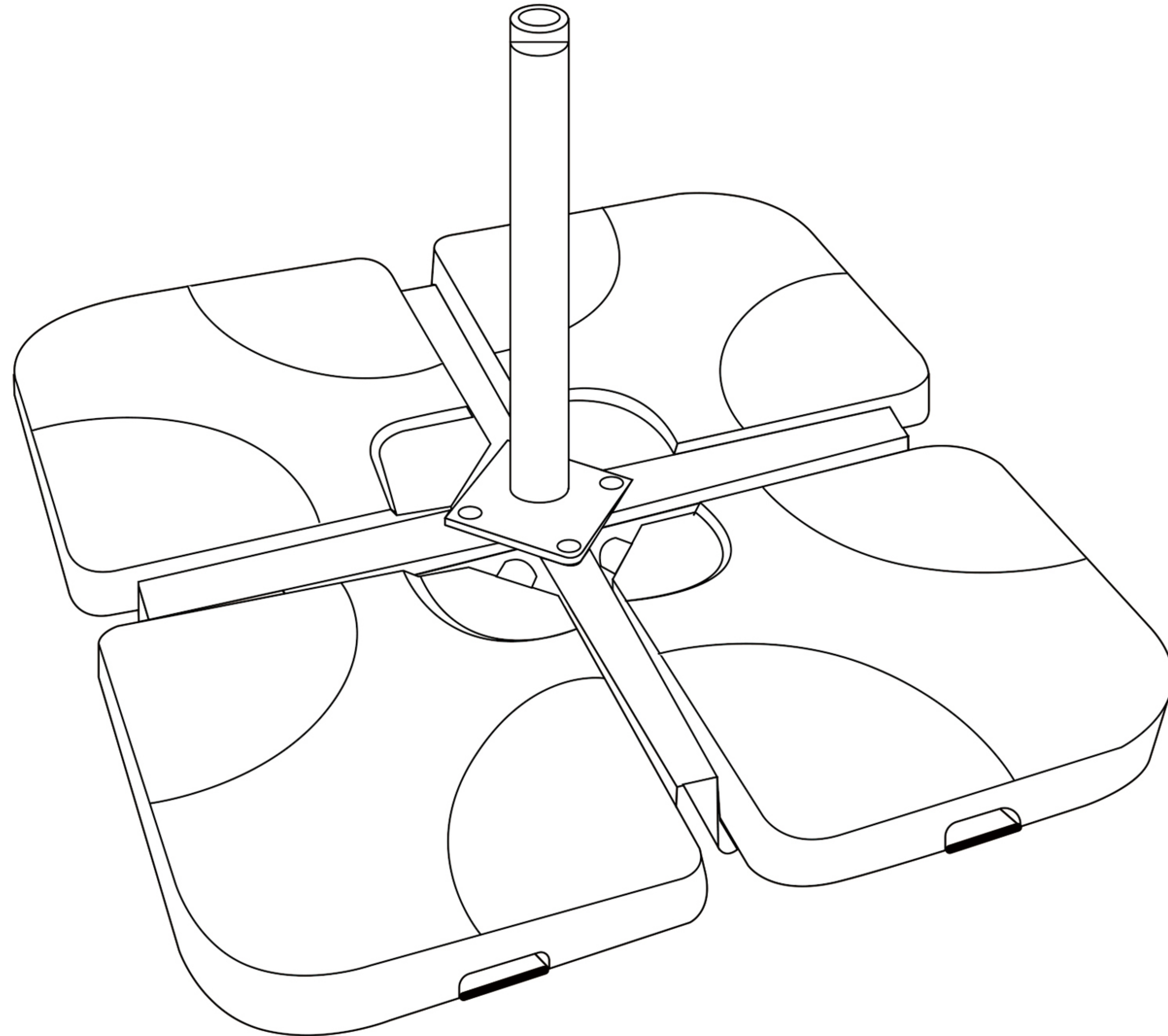


Patio Umbrella Base



User Manual

If need any other assistance, Please feel free to contact us.we are always here at your service:)

Before You Start

- ⚠ Please read all instructions carefully.
- ⚠ Retain instructions for future reference.
- ⚠ Separate and count all parts and hardware.
- ⚠ Read through each step carefully and follow the proper order.
- ⚠ We recommend that, where possible, all items are assembled near to the area in which they will be placed in use, to avoid moving the product unnecessarily once assembled.
- ⚠ Always place the product on a flat, steady and stable surface.
- ⚠ Keep all small parts and packaging materials for this product away from babies and children as they potentially pose a serious choking hazard.

Notes

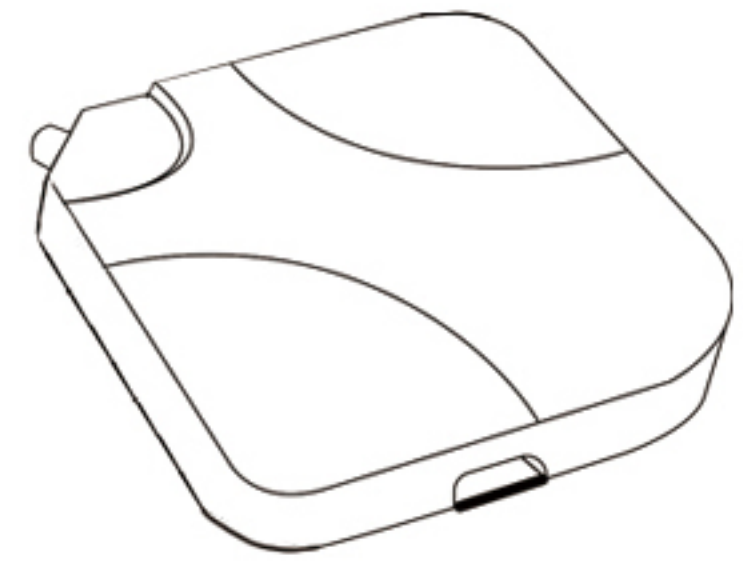
- Personal injury and/or damage to the product may occur if products are used outside of their intended purposes and/or if products have been changed/modified from their original design. The product must be assembled and used in accordance with the provisions of the manual. The seller does not assume any responsibility or liability with respect to any damage caused by incorrect assembly or improper use.
- Carefully check accessories when opening the package. If anything is missing or damaged, please contact us immediately.
- Do not use sharp tools or equipment such as a knife or scissors when removing the protective material, as it may damage the product.

Daily Maintenance

- Clean the canopy with a soft cloth moistened with a neutral detergent. Store it after completely drying, which will help reduce the growth of mold.
- Do not machine wash, do not dry.
- Do not iron.

Parts List

A × 4



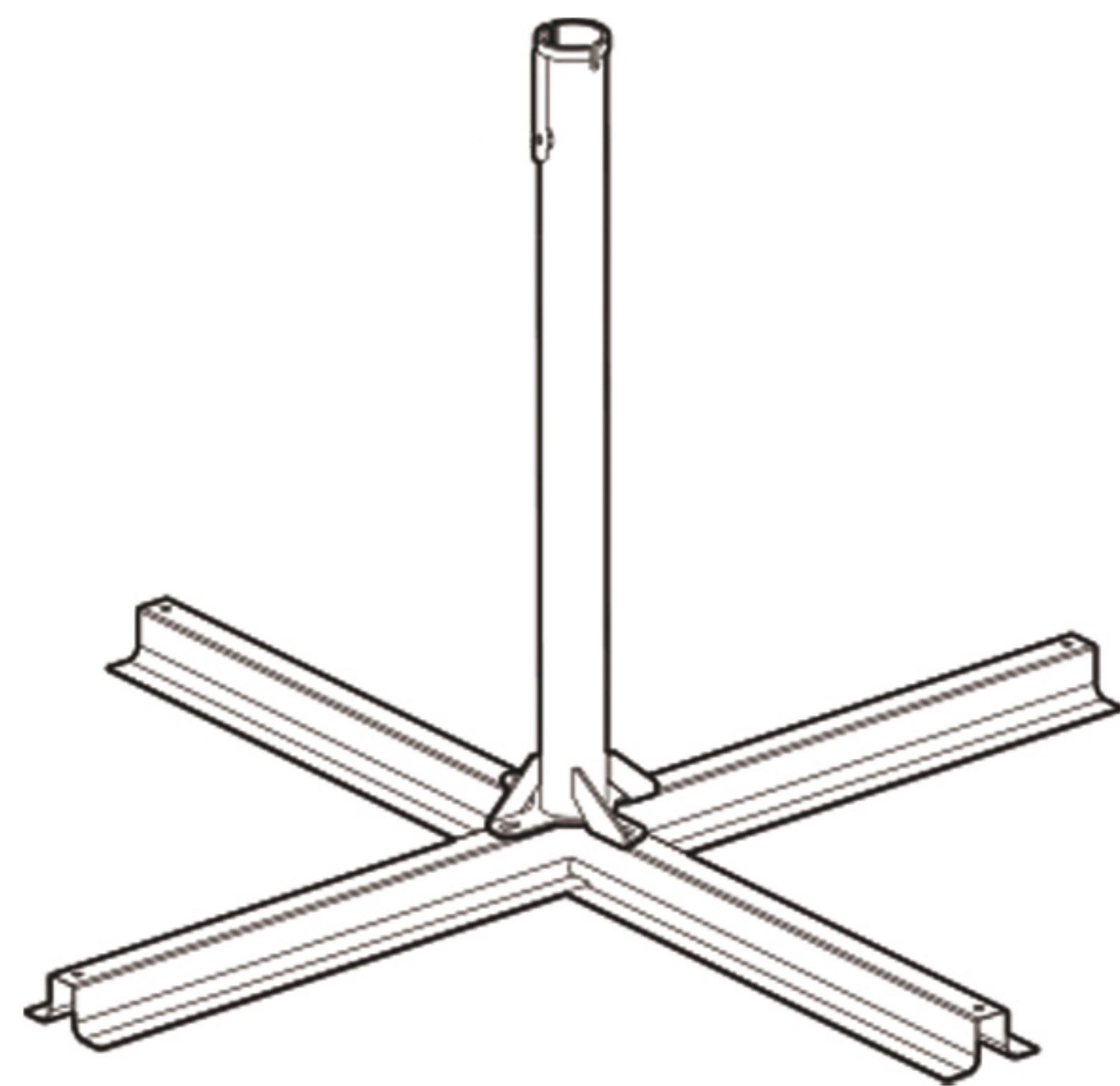
B × 4



Product Assembly

1

First assemble the cross base of the umbrella.



2

Fill each base piece with sand or water.

Sand or Water ↓



3

Use part B (4 pieces) to attach and secure the four-piece base as shown.



4

Press the cross base with the filled four pieces of base.



Return / Damage Claim Instructions

⚠ DO NOT discard the box / original packaging.

In case a return is required, the item must be returned in original box. Without this your return will not be accepted.

⚠ Take a photo of the part number.

If a replacement part is required, you will need to provide a photo of the part number. This helps our staff identify your product number and ensure you receive the correct part.

⚠ Take a photo of the damaged part (if applicable).

A photo of the damage is always required to file a claim and get your replacement or refund processed quickly. Please make sure you have the box even if it is damaged.

⚠ Send us an email with the images requested.

⋮