

AFTER-SALE

AFTER-SALE SERVICE

If you have any suggestions or encounter quality issues with our products, please contact us first.

Our after-sales team will respond within 24 hours, and we will do our best to provide a solution until you are satisfied.

GUARANTEED CUSTOMER SERVICE

Your shopping experience is very important to us!

If you feel unsatisfied or have any questions,
just contact us!

If you want to share how wonderful our smart product makes your home, **just contact us** and share your pictures!

For further information,
just contact us!

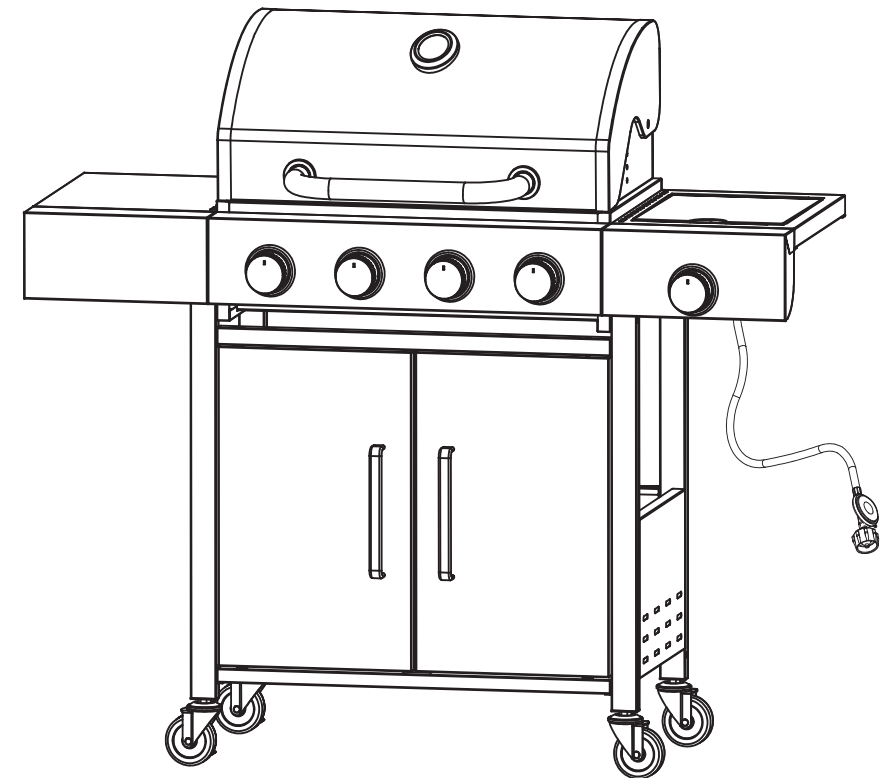


✉ service@kmcglobe-us.com

☎ (USA) +1 213-816-4788

IMPORTANT INSTRUCTIONS AND OPERATING MANUAL

LP GAS GRILL



Model : Q005

⚠ DANGER

If you smell gas:

- Shut off gas to the appliance.
- Extinguish any open flame.
- Open lid
- If odor continues, keep away from the appliance and immediately call your gas supplier or your fire department

⚠ WARNING

- Do not store or use gasoline or other flammable liquids or vapors in the vicinity of this or any other appliance.
- An LP cylinder not connected for use shall not be stored in the vicinity of this or any other appliance.

✉ (24/7):service@kmcglobe-us.com

☎ (only us) +1 213-816-4788

CUSTOMER SUPPORT

Dear customer

Thank you for your purchase.

This product is a non-permanent outdoor structure designed and manufactured for personal use rather than commercial use.

Please confirm whether the installation is permitted in your state(s) first.

1. When you receive the product, please make sure that all the boxes have arrived, and all the parts are intact.
2. Please browse the entire installation manual before assembling, retain this instruction manual for future reference.
3. If any problem occurs unsatisfactorily as follows:
 - Lack of boxes, or some boxes are not arrived.
 - The outer box is damaged.
 - The product is damaged / bent / cracked while you open the box.
 - The parts / accessories / assembly tools are missing.
 - The product is hard to assemble.
 - The instructions are not clear, or hoping for assistance with installation.
 - The product has functional problems.
 - The product did not meet your expectations.
 - Other aspects that you are not satisfied with.

Please feel free to contact us for help first. If there is any damage, please send us clear photos. We will check and do our best to provide the best solution for you. The missing or damaged parts will be delivered to you within 5 days.

DO NOT RETURN YOUR UNIT TO THE STORE
CONTACT US FIRST



 service@kmcglobe-us.com

 (USA) +1 213-816-4788

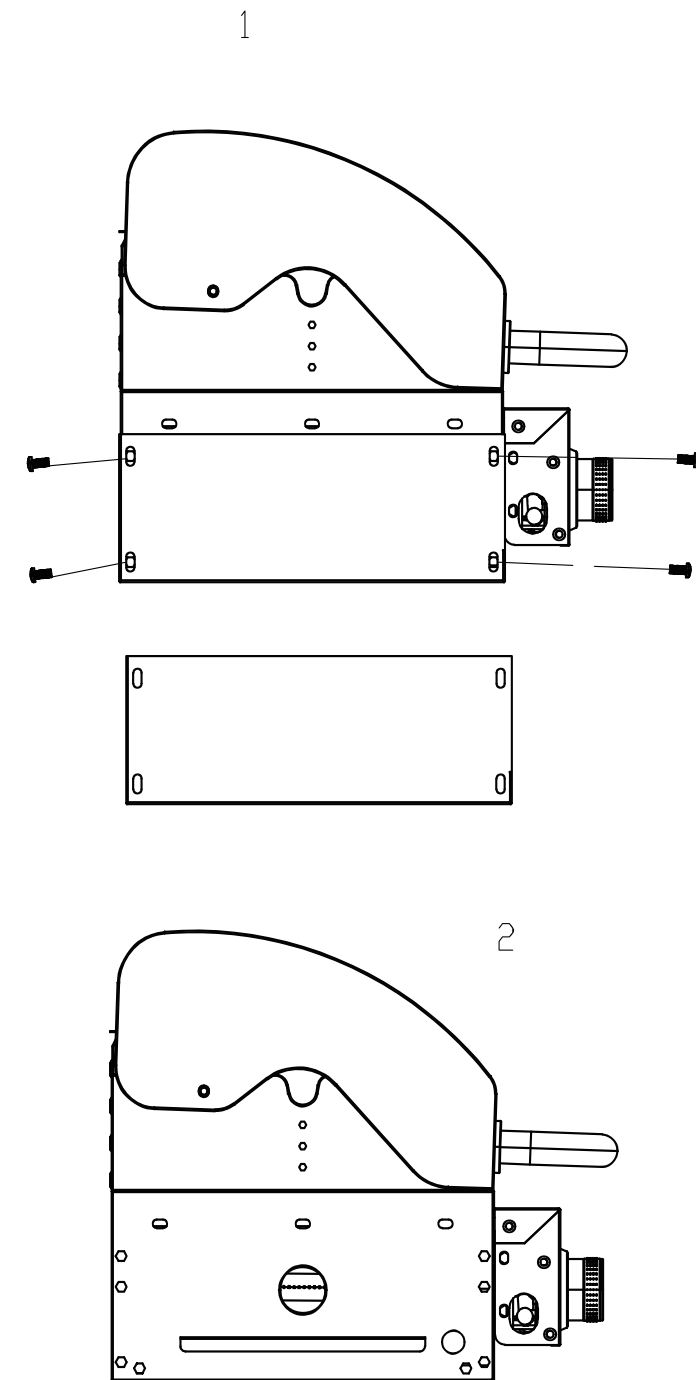
CARE AND MAINTENANCE

PROBLEM	POSSIBLE CAUSE	CORRECTIVE ACTION
Low Heat.	1. Insufficient gas pressure to the unit.	1. Call a qualified service agency to check the gas supply pressure and correct the pressure.
Excessive Flare Ups.	1. Grease and/or residue build-up on heat tents or in firebox. 2. Excessive dripping of fat or marinade from food. 3. Cooking temperature too high.	1. Clean the grill components. 2. Trim the fat from meat and use non-oil based marinades. 3. Lower temperature accordingly.
The burner will not light with a match.	1. Match not reaching burners(when holding match with hand). 2. Empty tank. 3. Poor connection between valve regulator and LP cylinder coupling. 4. Burner inlet blocked.	1. Check fuel level and refill tank if necessary. 2. Turn off grill knobs,close the cylinder valve at top of cylinder and check the connection between the regulator valve and cylinder coupling. Disconnect and reconnect,if necessary. 3. Clean the burner inlet (venturi) and burner as described by the Care and Maintenance section in the manual.
No gas flow or an obstructed gas flow.	1. Tank valve not on or fully opened. 2. Empty tank. 3. Poor connection between valve regulator and LP cylinder coupling. 4. Burner inlet blocked.	1. Fully open tank valve by turning counterclockwise. 2. Check fuel level and replace fuel if necessary. 3. Turn off grill knobs,close the LP cylinder valve at top of cylinder and check the regulator valve and cylinder coupling. Disconnect and reconnect,if necessary. 4. Clean the burner inlet (venturi) and burners as described by the Care and Maintenance section in the manual.

NOTICE: Some states do not allow the exclusion or limitation of incidental or consequential damages or limitations on how long an implied warranty lasts, so the above limitations or exclusions may not apply to you. This warranty gives you specific legal rights and you may also have other legal rights which may vary from state to state.

Item Name:4-Burner LP Gas Grill With Side Burner
Model #: Q005
Main Burner Total rated BTU: 32,000 BTU/Hr
Side Burner rated BTU: 12,000 BTU/Hr

Manufacturer: ZHEJIANG LEIHUOFENG TECHNOLOGY CO.,LTD
Address:5th Industrial Building,
No. 2 Cangling Road,
Huzhen Town, Jinyun County,
Lishui City, Zhejiang, China



Before installing the gas grill,
remove the protective panels on both sides.

TABLE OF CONTENTS

Safety Information 2

Package Contents 5

Hardware Contents 5

Preparation 6

Assembly Instructions 7

Operation Instructions 12

Care and Maintenance 17

Troubleshooting 20

Assembler/Installer: This manual contains important information that is necessary for the proper assembly and safe use of this appliance. Read and follow all warnings and instructions before assembling and using this appliance. **Leave these instructions with the consumer .**

Consumer/User: Follow all warnings and instructions when using this appliance. **Retain these instructions for future reference.**

“Place dust cap on cylinder valve outlet whenever the cylinder is not in use. Only install the type of dust cap on the cylinder valve outlet that is provided with the cylinder valve. Other types of caps or plugs may result in leakage of propane.”

⚠ WARNING

— Do not use this appliance under extended awnings. Failure to comply could result in a fire or personal injury.

⚠ WARNING

1. This grill is only for outdoor using and shall not be used in a building, garage, under overhangs or any other enclosed area.
2. This appliance is not intended to be installed in or on recreational vehicles.

⚠ Danger

— Do not put grill in storage or travel mode immediately after use. Allow grill to cool to touch before moving or storing. Failure to do so could result in fire resulting in property damage, personal injury or death.

CARE AND MAINTENANCE

Cleaning the Burner Assembly

– Make sure the grill is cool

1. Turn gas off at the control knobs and LP gas cylinder.
2. Disconnect LP gas cylinder from regulator and hose.
3. Remove warming rack, cooking grates and heat tents.
4. Remove the ignition needle from the burner opening.
5. Remove the fixing screws of the stove head and remove the screws from the ignition groove.
6. Lift burner slowly.
7. Ensure all burner ports are clear of clogs. Use of a pin or paper clip works well.
8. Ensure burner is free of any damage. If damage is found, replace it with new burner.
9. Ensure the end of the burner and primary air screen are clear from insect nests, dirt or debris.

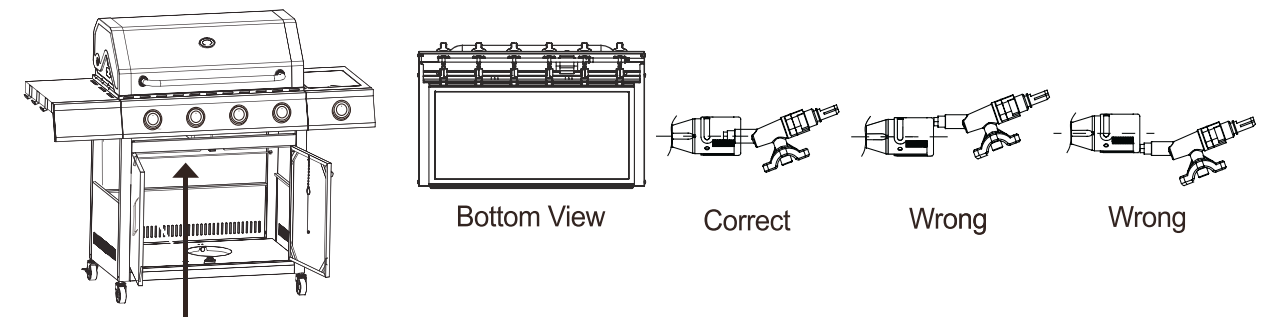
Re-installing the Burner

Ensure that gas valve orifices are correctly positioned inside burner inlet (venturi).

The use of a flashlight may be necessary to ensure the correct position.

It is recommended to view the correct position through the firebox vent holes as illustrated below.

Reattach each burner with the hinge pin and reattach the ignition wire to electrode.



View the correct position from the bottom of the firebox

⚠ WARNING

If the instructions above are not followed, a fire or explosion may result, possibly causing serious bodily injury or death.

Other Care and Maintenance

It is recommended that inspection and service on this appliance be conducted annually by a qualified service person.

It is recommended that you always check that the outdoor cooking appliance area is clear and free from combustible material, gasoline and other flammable vapors and liquids before lighting.

It is recommended that you regularly check that the flow of combustion and ventilation air are not obstructed.

It is recommended that you regularly check that the ventilation openings of the grill cabinet are free and clear from debris.

It is recommended that you regularly check and clean the burner/venturi tubes for insects and insect nests. A clogged tube can lead to a fire beneath the grill.

CARE AND MAINTENANCE

Burner Assembly

Removing The Burner Assembly

1. Make sure all control knobs are in the OFF position, gas supply valve is closed, and the gas hose is disconnected from the gas supply.
2. Open lid and remove warming rack, cooking grates, heat tents, clip for burner, ignition chain and main burner.
3. Remove hinge pin as illustrated in Figure 1.
4. Slide main burners out of firebox.
5. Detach ignition wire from electrode in Figure 2.

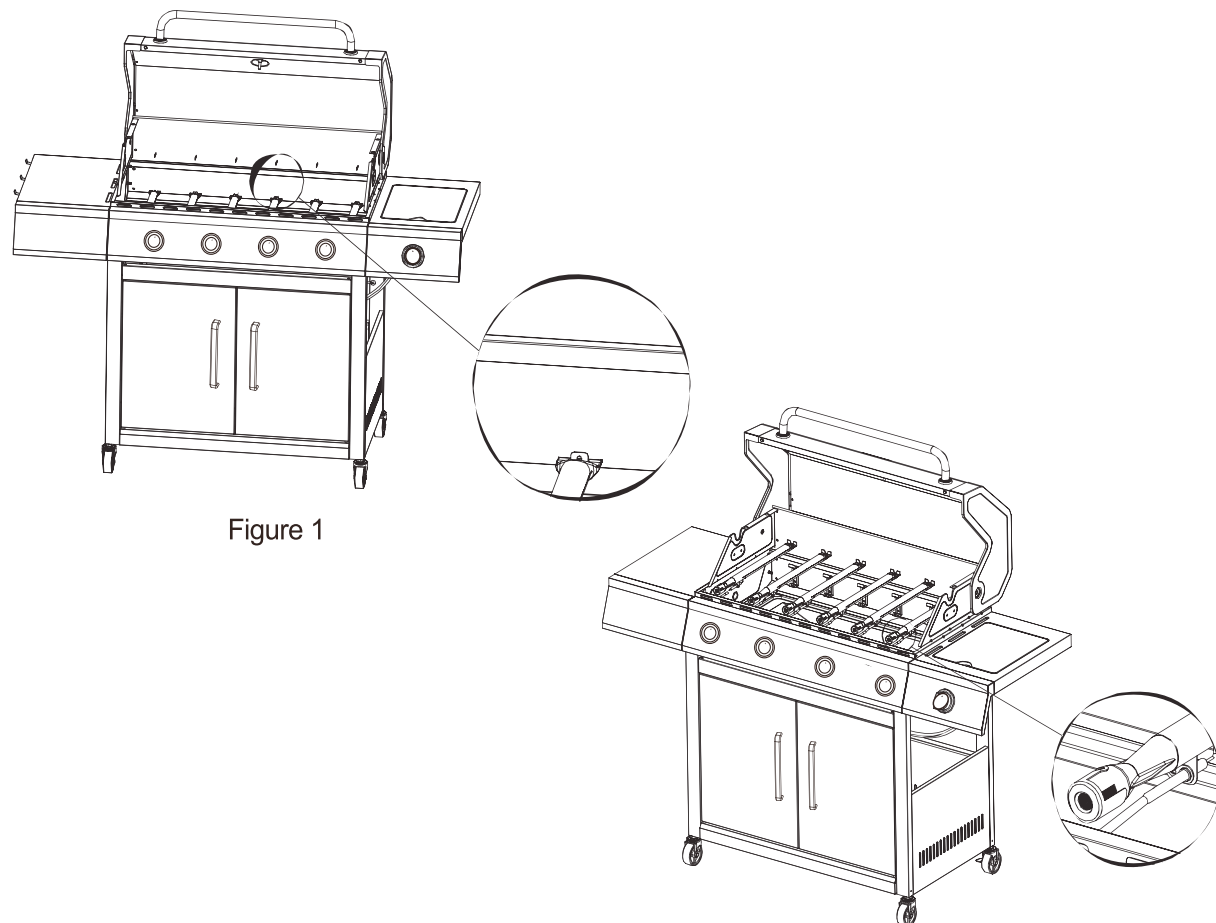
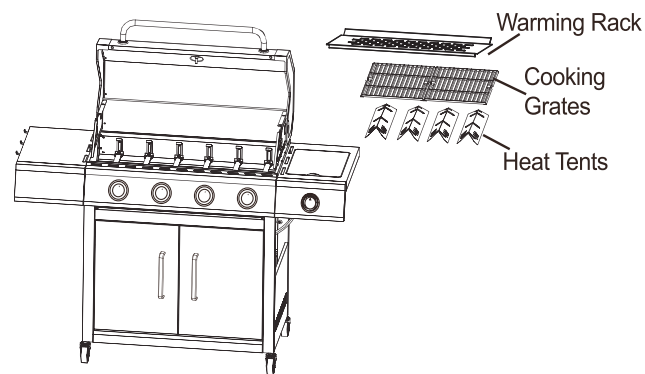


Figure 1

Figure 2

! SAFETY INFORMATION

Thank you for purchasing this product! If you have questions about the product such as missing parts, damaged products, product assembling and operation etc., please contact us.

! DANGER

- Do not use in an explosive atmosphere. Keep grill area clear and free from combustible materials, gasoline and other flammable vapors and liquids.
- Keep any electrical supply cord and fuel supply hose away from any heated surfaces.

CALIFORNIA PROPOSITION 65

Fuels used in gas or oil fired appliances and the products of combustion of such fuels contain chemicals, including Benzene, known to the State of California to cause cancer, birth defects or other reproductive harm. This product contains chemicals, including lead and lead compounds, known to the State of California to cause cancer, birth defects or other reproductive harm. **Wash hands after handling.**

! CAUTION

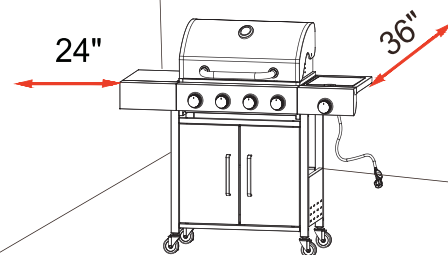
- Never use charcoal or lighter fluid with the grill.
- Do not use gasoline, kerosene or alcohol for lighting.
- The LP gas cylinder used with this appliance must be:
 - (a) Constructed and marked in accordance with the Specifications for LP-Gas Cylinders of the U.S. Department of Transportation (D.O.T.) or the National Standard of Canada, CAN/CSA-B339, Cylinders, Spheres and Tubes for Transportation of Dangerous Goods; and Commission, as applicable; and
 - (b) Provided with a listed overfilling prevention device.
 - (c) Provided with a cylinder connection device compatible with the connector for outdoor cooking appliances. This grill is not intended to be used in or installed on recreational vehicles and/or boats.
- Never keep a filled container in a hot car or car trunk. Heat will cause the gas pressure to increase, may open the relief valve and leak the gas.
- Always open grill lid slowly and carefully as heat and steam trapped within the grill can hurt you severely.

! SAFETY INFORMATION

! WARNING

- Do not place the grill under overhead combustible construction or awnings.
Minimum clearance from sides of unit to combustible construction 24 inches (609.9mm) from side.
And Minimum clearance from back of unit to combustible construction 36 inches (915.0mm) from back.

NOTE: The installation must conform with local codes or, in the absence of local codes, with either the National Fuel Gas Code, ANSI Z223.1/NFPA 54, Natural Gas and Propane Installation Code, CSA B149.1, or Propane Storage and Handling Code, B149.2.



! CAUTION

- Do not store or use gasoline or other flammable liquids or vapors close to this or any other appliance.
- An LP cylinder not connected for use shall not be stored close to this or any other appliance.
- This grill is for using with propane gas only (propane cylinder not included).
- Never attempt to attach this grill to the self-contained propane system of a boat, camper trailer, motor home or house.
- Do not attempt to move the grill while it is lit or when it is hot. The casters should be locked down when not moving the grill.
- Do not use the grill unless it is completely assembled and all parts are securely fastened and tightened.
- Keep all combustible items and surfaces at least 36 inches (91.50 cm) away from the grill at all times.
- Do not touch metal parts of grill until it has completely cooled (about 45 minutes) to avoid burns, unless you are wearing protective gear (pot holders, gloves, BBQ mittens, etc...).
- Do not alter this grill in any manner.
- Clean and inspect the hose before each use. If there is obvious abrasion, wear, cuts, or leaks, the hose must be replaced prior to operating the appliance. The replacement hose shall be in accordance with supplier's standard.
- Move gas hoses as far away as possible from the hot surfaces and dripping hot grease.
- Keep the grill's valve compartment, burners and circulating air passages clean. Inspect the grill before each use. Do not obstruct the flow of gas or ventilation air.
- The use of alcohol, prescription or non-prescription drugs may influence the operator's ability to properly assemble or safely operate the grill.
- **Do not leave a lit grill unattended. Keep children and pets away from the grill at all times.**
- Do not place this grill on any type of tabletop surface. The grill should be placed on a flat and level surface.
- Do not use the grill in huge winds.

CARE AND MAINTENANCE

Cooking Grates

The best time to 'burn-off' the cooking grates is after every use (approx. 15 minutes). The grill is already hot from cooking thus requiring less fuel to obtain necessary temperature for 'burn-off'.

To 'burn off' or heat clean your grill, turn the burners to highest position and run for 15 minutes with the lid closed. Then turn off the burners and use a wire brush to clean excess food residue from the grates.

The porcelain grates have an enamel finish (similar to glass) and should be handled with care not to chip.

! CAUTION

Ensure the grill is cool before cleaning and conducting maintenance and with the gas supply turned off at the LP-Gas Cylinder.

Recommended Cleaning Supplies

Mild liquid dish soap, warm water, nylon cleaning pad, wire brush
DO NOT use cleaners that contain acid, mineral spirits or any abrasive substance.

Outside Surfaces

It is recommended to use only mild dish soap and hot water to clean grill and grill parts.
Rinse with warm water.

Inside Bottom Pan of Grill Body

To avoid flare-ups, the bottom pan of the cooking box should be kept clean on a regular basis. Remove residue using a brush, scraper and/or cleaning pad. Wash with mild dish soap and warm water. Rinse with warm water. Avoid water splashing into venturi tubes of burners.

Heat Tents

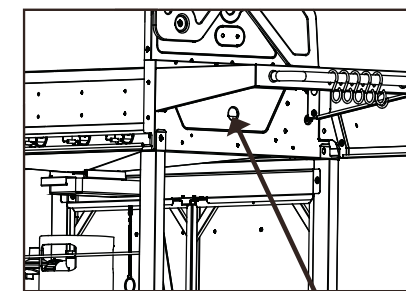
Clean residue with wire brush and wash with mild dish soap and warm water. Rinse with warm water.

Grease Cup

Empty the grease cup and clean with mild dish soap and warm water on a regular basis.

Checking The Flame

For maximum fuel efficiency and cooking performance, flame should be a blue-yellow color and be between 1- 2 inches high. To check the flame, view the flame through the holes in both sides of the firebox.



Hole for viewing the flame



OPERATION INSTRUCTIONS

Lighting The Grill

Before first use:






Remove all hangings or plastic straps, if present. Before you cook on your new gas grill, it is important to clean your grill with heat. To do this, operate the grill for approximately 15 minutes with the lid closed and the control knob in the highest position. This will clean the internal parts by burning off any residue and odor from the manufacturing process.

CAUTION

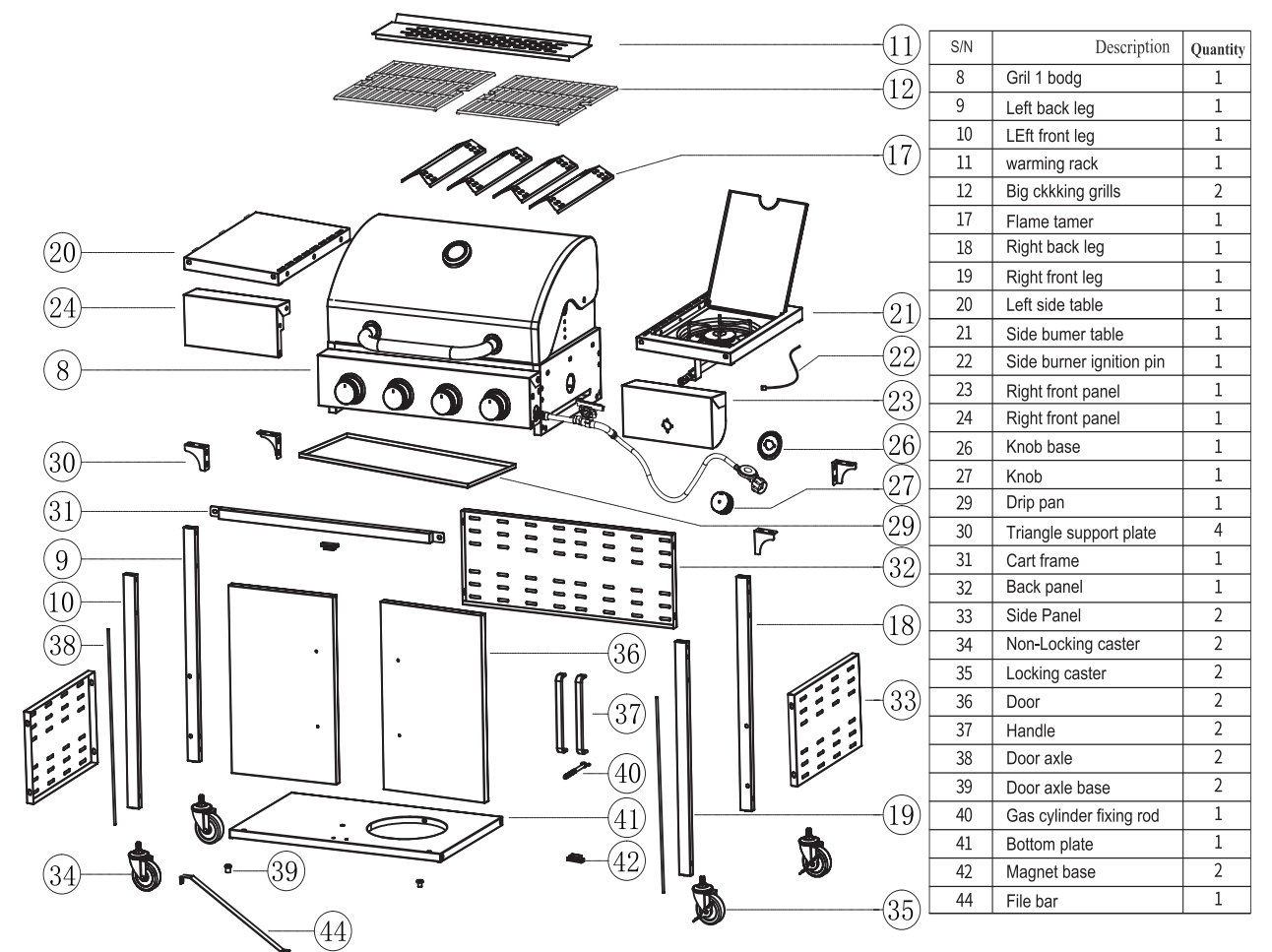
If the flame extinguishes accidentally during ignition or operation, immediately TURN OFF the cylinder valve and then TURN OFF the control knob.

WARNING









Do not lean over grill when lighting. Read instructions before lighting.

1. Check that the control knobs are in the  OFF position.
2. Open valve at tank fully by turning  counterclockwise.
- 3.
4. Press in the control knob 3 to 4 seconds that operates the burners and  rotate clockwise to  high position and burner should light immediately. If the burner does not light within 5 seconds, immediately turn the control knob to the  OFF position. Wait 5 minutes and repeat step 4 above.
5. Repeat step 4 above to ignite all other burners.

PACKAGE CONTENTS



S/N	Description	Quantity
8	Gril 1 bodg	1
9	Left back leg	1
10	LEft front leg	1
11	warming rack	1
12	Big ckkking grills	2
17	Flame tamer	1
18	Right back leg	1
19	Right front leg	1
20	Left side table	1
21	Side bumer table	1
22	Side burner ignition pin	1
23	Right front panel	1
24	Right front panel	1
26	Knob base	1
27	Knob	1
29	Drip pan	1
30	Triangle support plate	4
31	Cart frame	1
32	Back panel	1
33	Side Panel	2
34	Non-Locking caster	2
35	Locking caster	2
36	Door	2
37	Handle	2
38	Door axle	2
39	Door axle base	2
40	Gas cylinder fixing rod	1
41	Bottom plate	1
42	Magnet base	2
44	File bar	1

Picture	Part No	Name	Part Description	Quantity
	A	Bolt	M6*14mm	44
	B	Bolt	M6*55mm	12
	D	Bolt	M4*16mm	4
	F	Bolt	M4*8mm	2
	G	Bolt	M4*5mm	4
	39	Door shaft base	10*16*15mm	2
	J	Wrench		1
	I	Screwdriver		1

PREPARATION

Before beginning assembly of product, make sure all parts are present. Compare parts with package contents list on previous page and hardware contents above. If any part is missing or damaged, do not attempt to assemble the product. Contact customer service for replacement parts.

Estimated Assembly Time: 50 minutes with 2 people.

Tools Required for Assembly and Leak Testing (not included): Phillips screwdriver, Spray bottle, Pliers, Adjustable Wrench



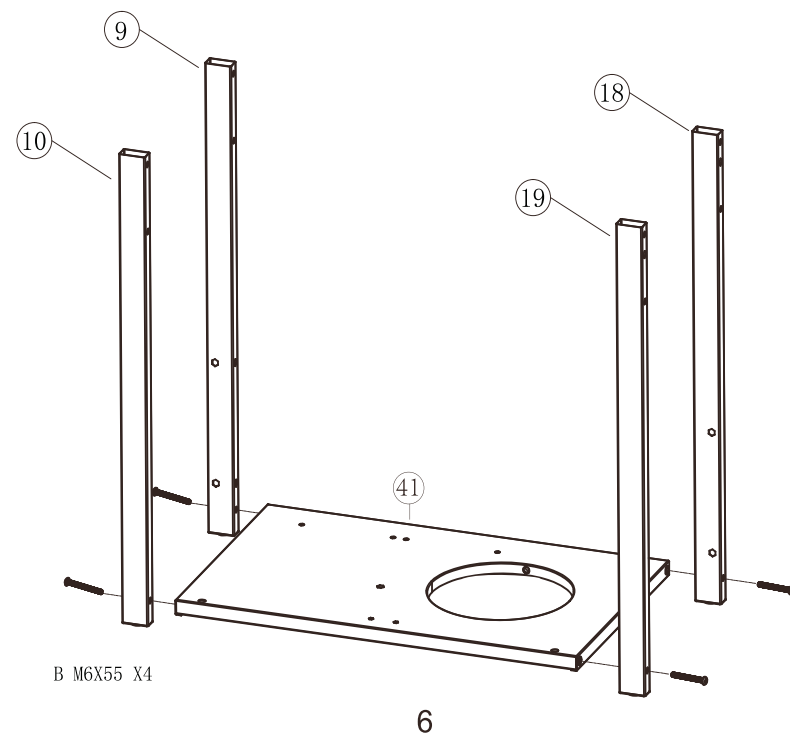
CAUTION

THIS UNIT IS HEAVY. Two people required for safe assembly.

Two people required for safe assembly. Some parts may contain sharp edges. Wear protective gloves if necessary. Read and follow all safety statements, warnings, assembly instructions and use and care instructions before attempting to assemble and use.

ASSEMBLY INSTRUCTIONS

- 1 Assemble the bottom plate (41) to left back leg (9), left front leg (10), right back leg (18) and right front leg (19) using M6X55mm bolts (B).



OPERATION INSTRUCTIONS

NOTE: Other cylinders may be acceptable for use with this appliance if they are compatible with the appliance nesting hole and retention means. Refer to Page 11 of the Assembly Instructions for correct cylinder to cylinder holder connection.

WARNING

ALL INSTRUCTIONS AND SAFEGUARDS ON THIS PAGE MUST BE FOLLOWED TO PREVENT FIRE, DAMAGE AND/OR INJURY.

CONNECTING THE LP TANK

1. The knob on the LP tank must be closed. Make sure that the knob is turned clockwise to a full stop. The cylinder supply system must be arranged for vapor withdrawal.
2. Check that the control knob on the control unit is turned off.
3. Remove the protective cap from the LP tank valve and coupling nut.
4. Hold the regulator in one hand and insert the nipple into the valve outlet. Be sure the nipple is centered in the valve outlet. The coupling nut connects to the large outside threads on the valve outlet. Use care – do not cross thread the connection.
5. Hand-tighten the coupling nut clockwise until it comes to a full stop. Firmly tighten by hand only. Do not use tools.



To Disconnect: Fully close the tank valve by turning clockwise.

Turn the coupling nut counterclockwise until the regulator assembly detaches.

HOW TO REPLACE THE HOSE

Replacement pressure regulators and hose assemblies must be those specified by the outdoor cooking gas appliance manufacturer.

WARNING

In the connection process, make sure:

- the regulator inlet connector mates with the cylinder valve outlet properly, safely and firmly, and;
- the LP gas hose does not come in contact or remain in contact with the firebox.

OPERATION INSTRUCTIONS

CONNECTING GAS CYLINDER

The propane gas supply cylinder to be used must be constructed and marked in accordance with the Specifications for LP Gas Cylinders of the U.S. Department of Transportation (D.O.T.) or the National Standard of Canada, CAN/CSA-B339, Cylinders, Spheres and Tubes for Transportation of Dangerous Goods; and Commission, as applicable; and provided with a listed overfilling prevention device.

Use only 20-pound cylinders (height: 18.11 inches, tank diameter: 9.84 inches, foot diameter: 8.03 inches) equipped with a cylinder connection device compatible with the connection for outdoor cooking appliances.

The cylinder must include a collar to protect the cylinder valve. The gas cylinder should not be dropped or handled roughly!

If the appliance is not in use, the gas cylinder must be disconnected. Storage of an appliance indoors is permissible ONLY if the cylinder is disconnected and removed from the appliance. Cylinders must be stored outdoors out of the reach of children and can not be stored in a building, garage or any other enclosed area. Your cylinder must never be stored where temperatures can reach over 125°F.

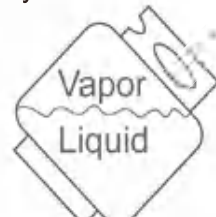
Place dust cap on cylinder valve outlet whenever the cylinder is not in use. Only install the type of dust cap on the cylinder valve outlet that is provided with the cylinder valve. Other types of caps or plugs may result in leakage of propane.

Before connection, be sure that there is no debris caught in the outlet of the gas cylinder, outlet of the regulator valve or in the outlet of the burner and burner ports. Connect regulator valve and hand-tighten firmly. Keep the propane cylinder valve closed and disconnect the propane cylinder from the regulator valve when the grill is not in use.

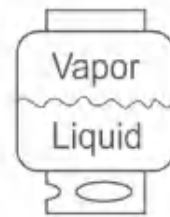
DO NOT obstruct the flow of combustion air and ventilation air to the grill. The propane cylinder must be arranged for vapor withdrawal and equipped with a listed overfilling prevention device. Please use the proper cylinder orientation to provide vapor withdrawal. NOTE: The cylinder must be fully upright for the cylinder to have vapor withdrawal only.



Correct



Wrong



Wrong

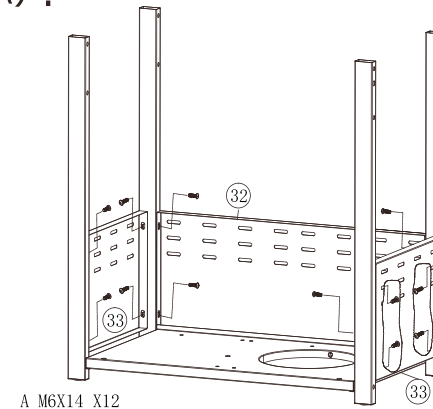
CAUTION

- a. Do not store a spare LP-gas cylinder under or near this appliance.
- b. Never fill the cylinder beyond 80 percent full.
- c. If the information in (a) and (b) is not followed exactly, a fire causing death or serious injury may occur.

ASSEMBLY INSTRUCTIONS

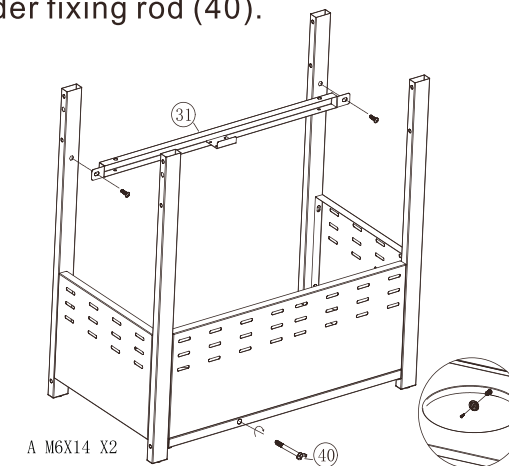
- 2 Assemble the back panel (32) to the left back leg (9) and right back leg (18) using M6X14mm bolts (A).

Assemble the side panel (33) to four legs (9),(10),(18),(19) using M6x14mm bolts (A).



- 3 Assemble the cart frame (31) to left front leg (10) and right front leg (19) using M6x14mm bolts (A).

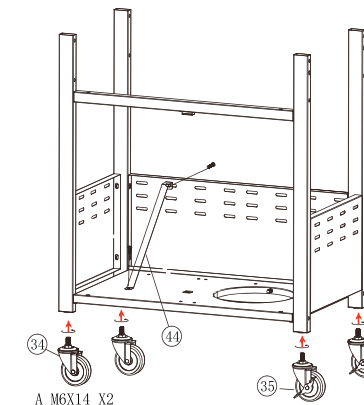
Insert the gas cylinder fixing rod (40).



- 4 Assemble the locking caster (35) to the right front leg (19) and right back leg (18).

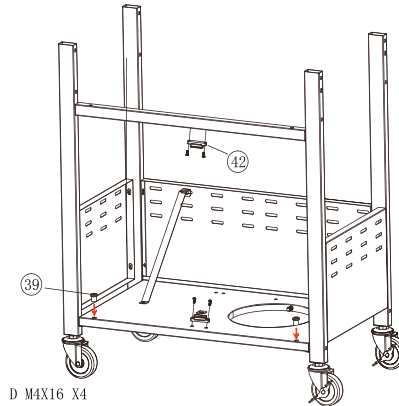
Assemble the unlocking caster (34) to the left front leg (10) and left back leg (9).

Assemble fillet bar (44) to the back panel (32) and bottom plate (41) using 2pcs M6x14mm (A).

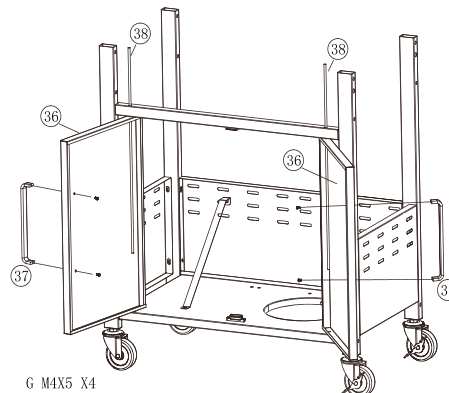


ASSEMBLE INSTURSTIONS

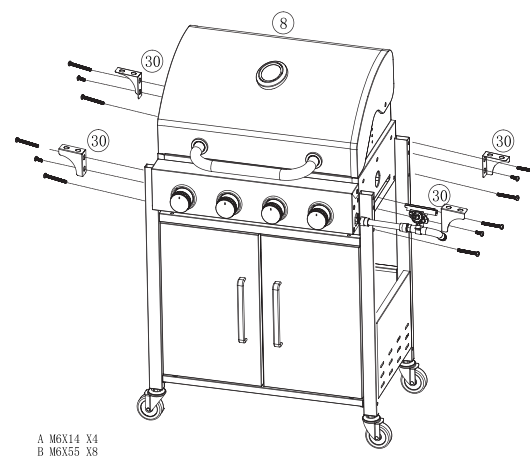
- 5** First assemble the Door post to the bottom plate. Then assemble the magnet base (42) to the bottom plate using M4x16 mm bolts (D). Assemble the magnet base (42) to the cart frame (31) using M4x16 mm bolts (D). Insert Door shaft base (39) into the bottom plate.



- 6** First assemble the handle (37) the door using M4X5mm bolts (G). Then assemble the door (36) to the bottom plate (41) and cart frame (31) using door axle (38).



- 7** Assemble the grill body with 4pcs triangle support plate (30) the upside using 8 pcs M6x55mm bolts (B) and downside 4pcs M6x14mm bolts (A).



8

OPERATION INSTRUCTIONS

CHECKING FOR LEAKS

After all connections are made, check all connections and fittings on the LP gas tank valve, gas hose and regulator for leaks with a water and soap solution.

To prevent fire or explosion while testing for a leak:

- Always perform leak test prior to lighting the grill.
- Do not smoke while testing for a leak.
- Always perform leak tests outdoors in a well-ventilated area.
- Do not use any source of flame while testing for leaks.
- Do not use the grill until any and all leaks are corrected.
- If you are unable to correct a leak, disconnect the propane supply and call a gas appliance service dealer.

PERFORM LEAK TEST

- Prepare leak test solution by 50/50 ratio of liquid dish soap and water. Total solution required is approximately 2 - 3 ounces (70 - 90 ml). Put leak test solution in a spray bottle.
- Ensure all control knobs are in the \bigcirc OFF position.
- Connect the gas hose to the gas supply.
- Open the LP gas tank valve.
- Spray leak test solution on all gas carrying connections and fittings. Presence of bubbles at areas of applied test solution indicates a gas leak. If leaks are detected or you smell or hear gas, shut off the gas supply valve immediately and repair or replace the defective part. Do not use the grill until all leaks are corrected.

Inspect the hose before each use of the outdoor cooking gas appliance. If it is evident there is excessive abrasion or wear, or the hose is cut, it must be replaced prior to the outdoor cooking gas appliance being put into operation.

⚠ CAUTION


Only use the regulator and hose assembly provided! If a replacement is necessary, please call our customer service center. Do not use replacement parts that are not intended for this grill.

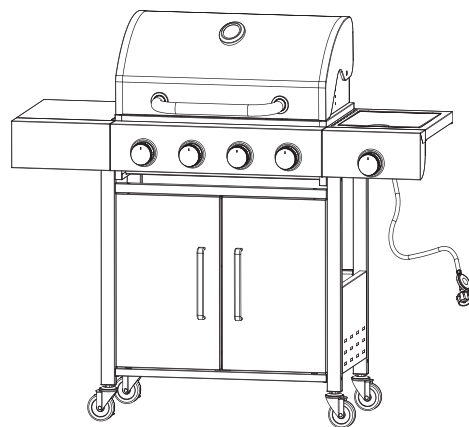
⚠ WARNING

ALL INSTRUCTIONS AND SAFEGUARDS ON THIS PAGE MUST BE FOLLOWED TO PREVENT FIRE, DAMAGE AND/OR INJURY.

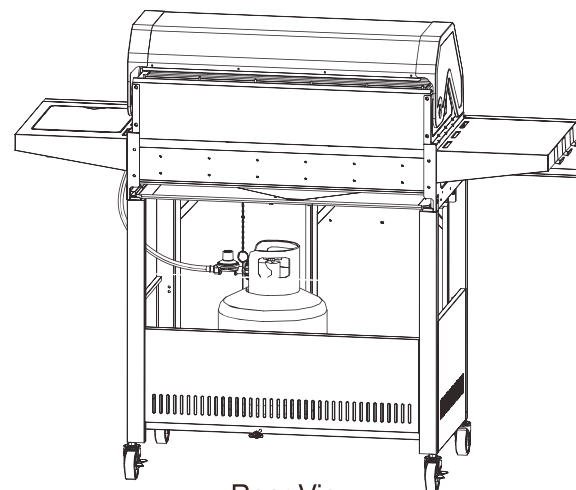
ASSEMBLY INSTRUCTIONS

Open the left door assembly and the right door assembly, insert the hose/regulator assembly into the cart assembly through the clearance above the cart right side panel assembly. Place LP gas cylinder (sold separately) into the nesting hole located in the cart bottom shelf. Rotate the LP gas cylinder until the hose/regulator coupling aligns with the threaded valve of the cylinder. Hand-tighten the hose/regulator coupling to the threaded valve of the LP gas cylinder.

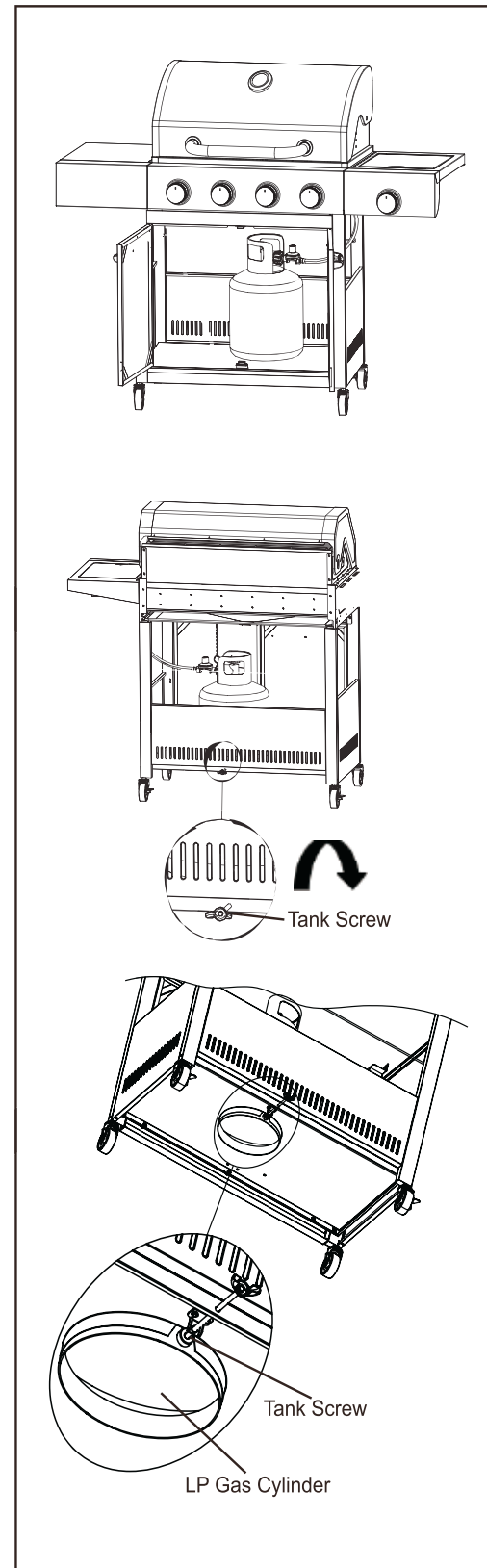
Tighten the tank screw clockwise  in the rear of the cart until the LP gas cylinder is secured in place inside the nesting hole of the cart bottom shelf.



Front View

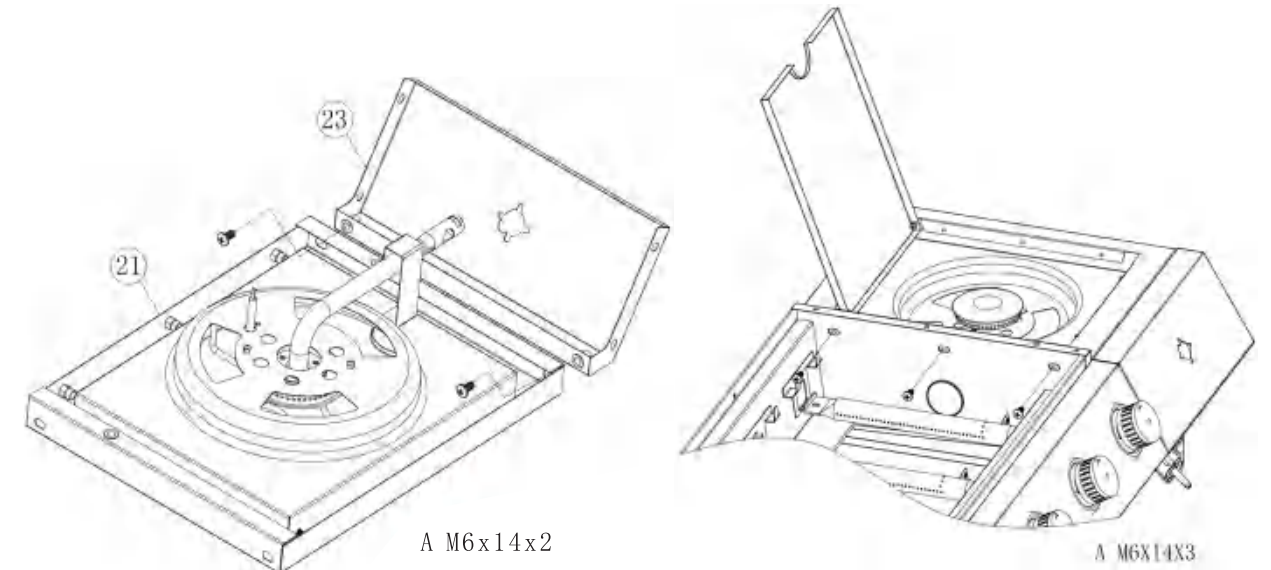


Rear View

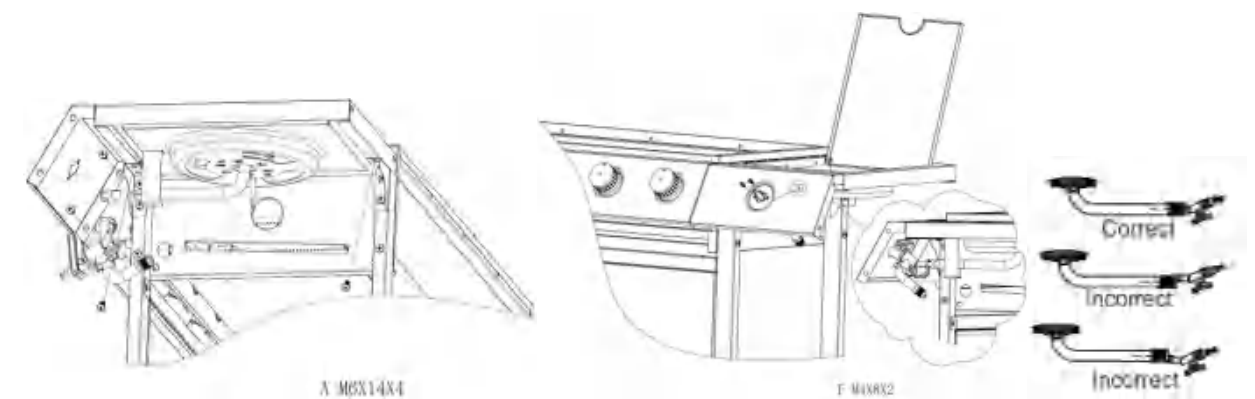


ASSEMBLY INSTRUCTIONS

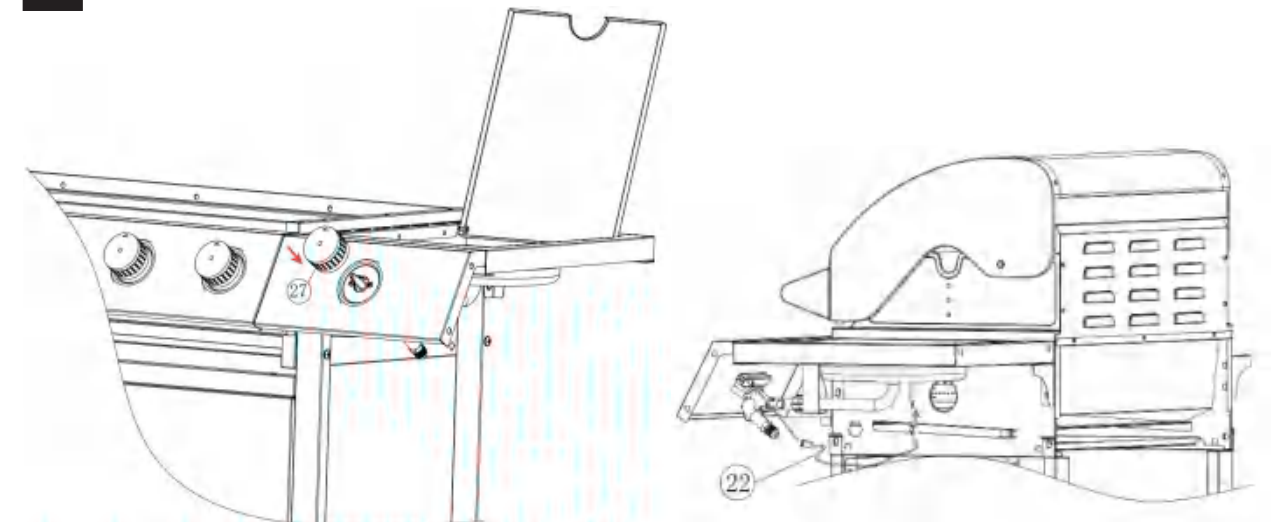
- 8** First assemble the side burner table (21) to the right front panel (23) using 2 pcs M6x14 bolts (A). Then assemble the side burner table (21) to the body using 3 pcs M6x14 bolts(A).



- 9** First assemble the side burner table (21) to the triangle support plates using 4 pcs M6x14 bolts (A). Then assemble the knob base(26) to the right front panel(23) using 2 pcs M4x8 bolts (F).

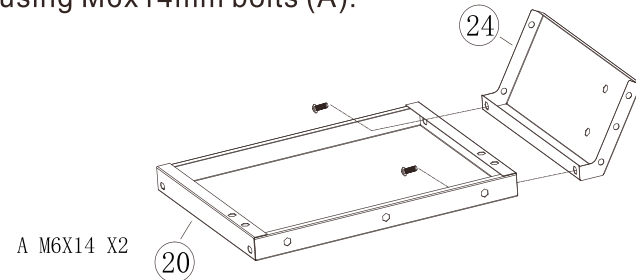


- 10** Put on the knob. Then assemble the ignition pin to the side burner table by correct way.

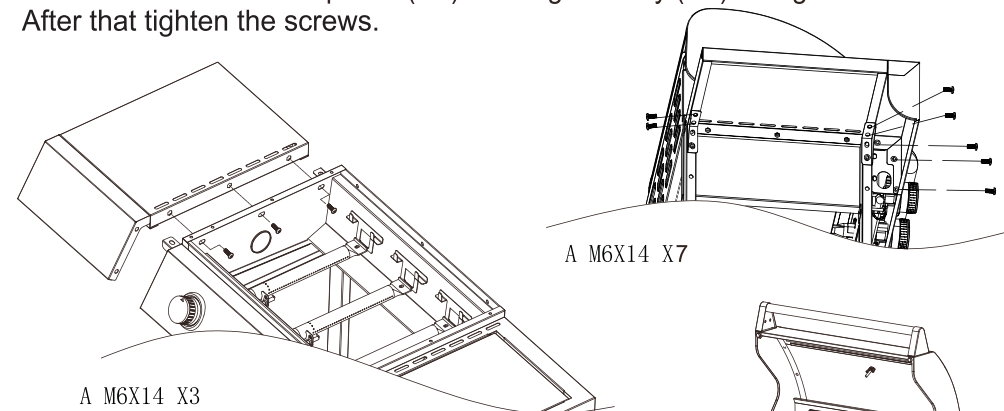


ASSEMBLY INSTRUCTIONS

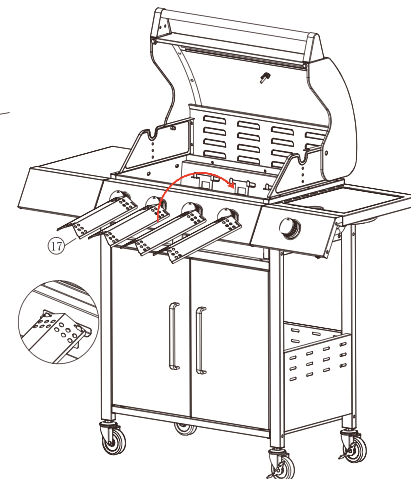
- 11** Assemble the left side table (20) to the left front panel (24) using M6x14mm bolts (A).



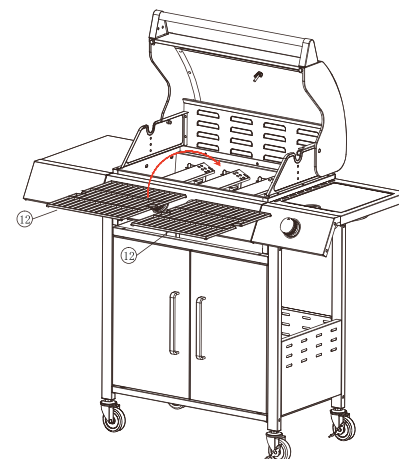
First assemble M6x14mm bolts (A) to the body, Reserve distance of 5mm.
Assemble the left side table to the triangle support plate (30) using M6x14mm bolts (A).
Assemble the left front panel (24) to the grill body (28) using M6x14cm bolts (A).
After that tighten the screws.



- 12** Put the flame tamer (17) into the body.



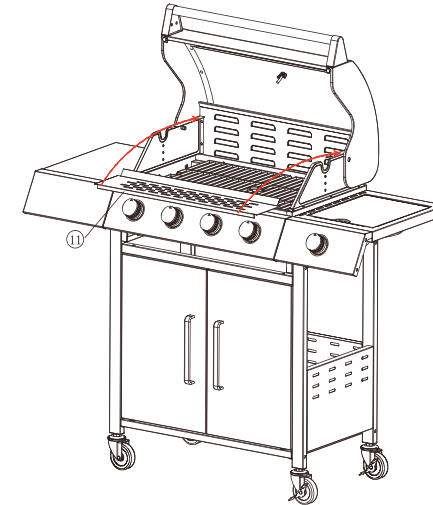
- 13** Put the big cooking grill (12) into body.



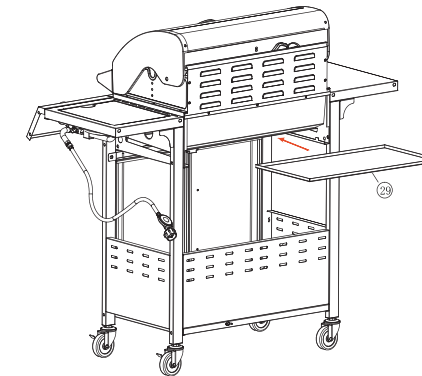
10

ASSEMBLY INSTRUCTIONS

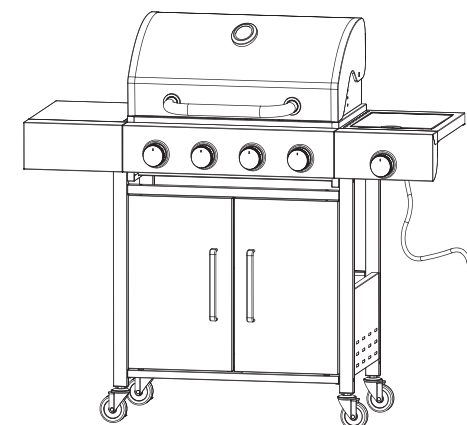
- 14** Put the warming rack (11) into the body.



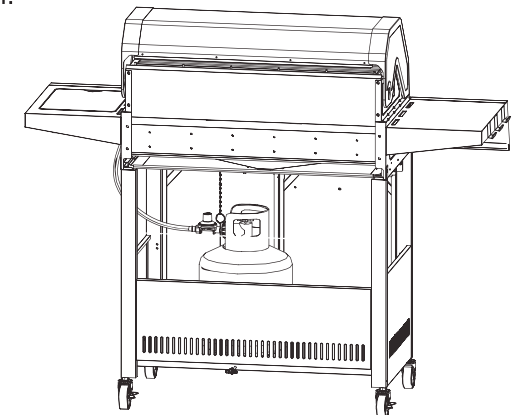
- 15** Put the drip pan (29) into the body from back of the grill body.



- 16** Finish



- 17** Release the tank screw counterclockwise in the rear of the cart until the LP gas cylinder is separated. Take out the LP gas cylinder from the cart bottom shelf.



11