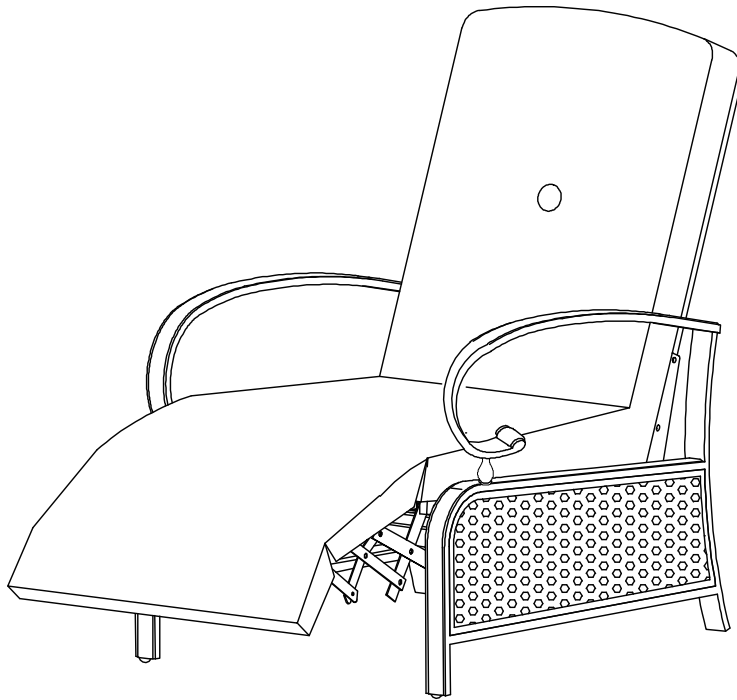


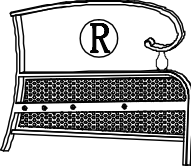
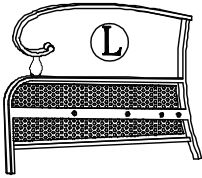
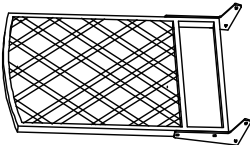
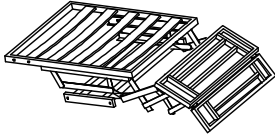



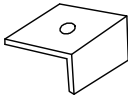

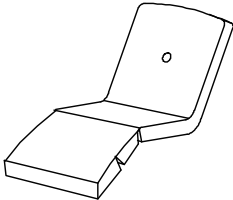
ASSEMBLY INSTRUCTIONS

Push back recliner

Thanks for choosing our product. Please kindly check parts listed below and read this manual carefully, then assemble them step by step. Please feel free to contact us for any questions.

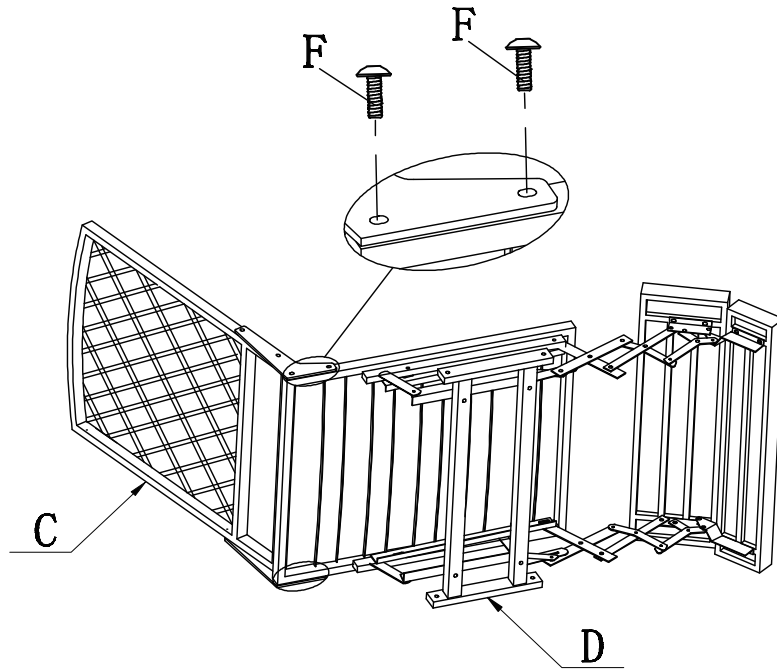


Parts List

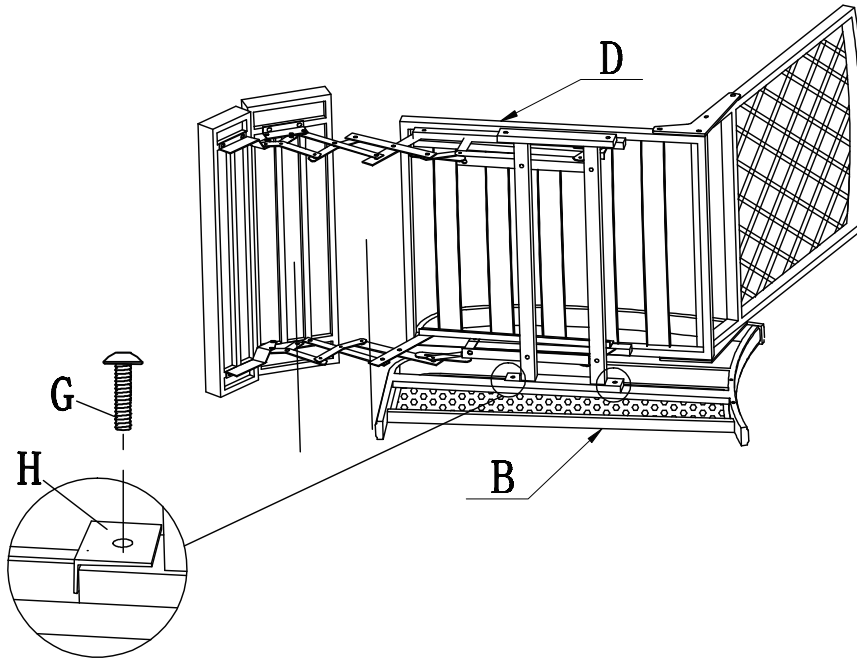
<p>A X1</p>  <p>Right Armrest</p>	<p>B X1</p>  <p>Left Armrest</p>	<p>C X1</p>  <p>Backrest</p>	<p>D X1</p>  <p>Seat</p>
<p>E X1</p>  <p>Supporting Pole</p>	<p>F X8</p>  <p>M6×15MM</p>	<p>G X4</p>  <p>M6×28MM</p>	<p>H X4</p>  <p>Metal Plate</p>
<p>I X1</p>  <p>Allen Key</p>		<p>J X1</p>  <p>Seat Cushion</p>	

Assembly Instruction

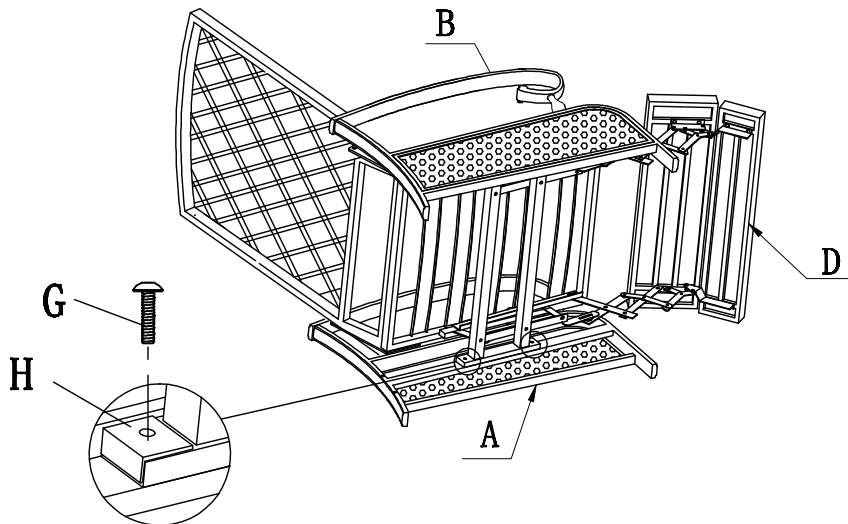
STEP 1



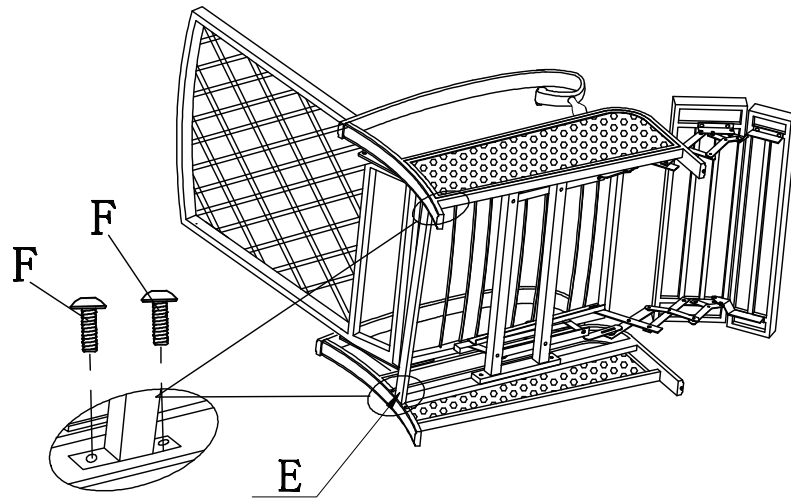
STEP 2



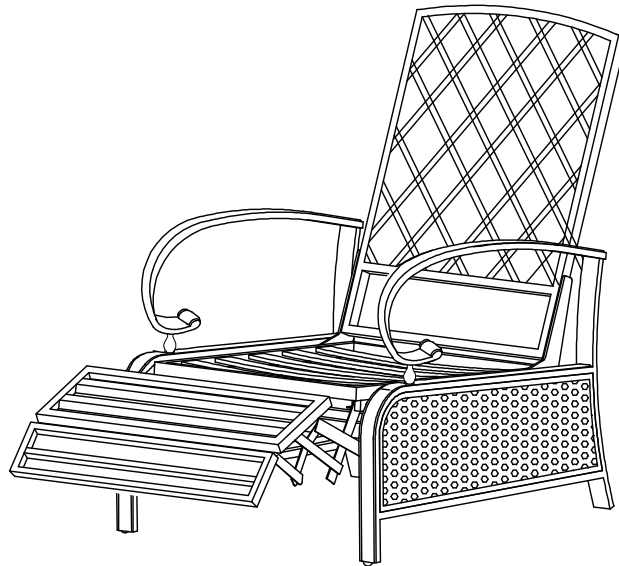
STEP 3



STEP4



STEP5



STEP6

