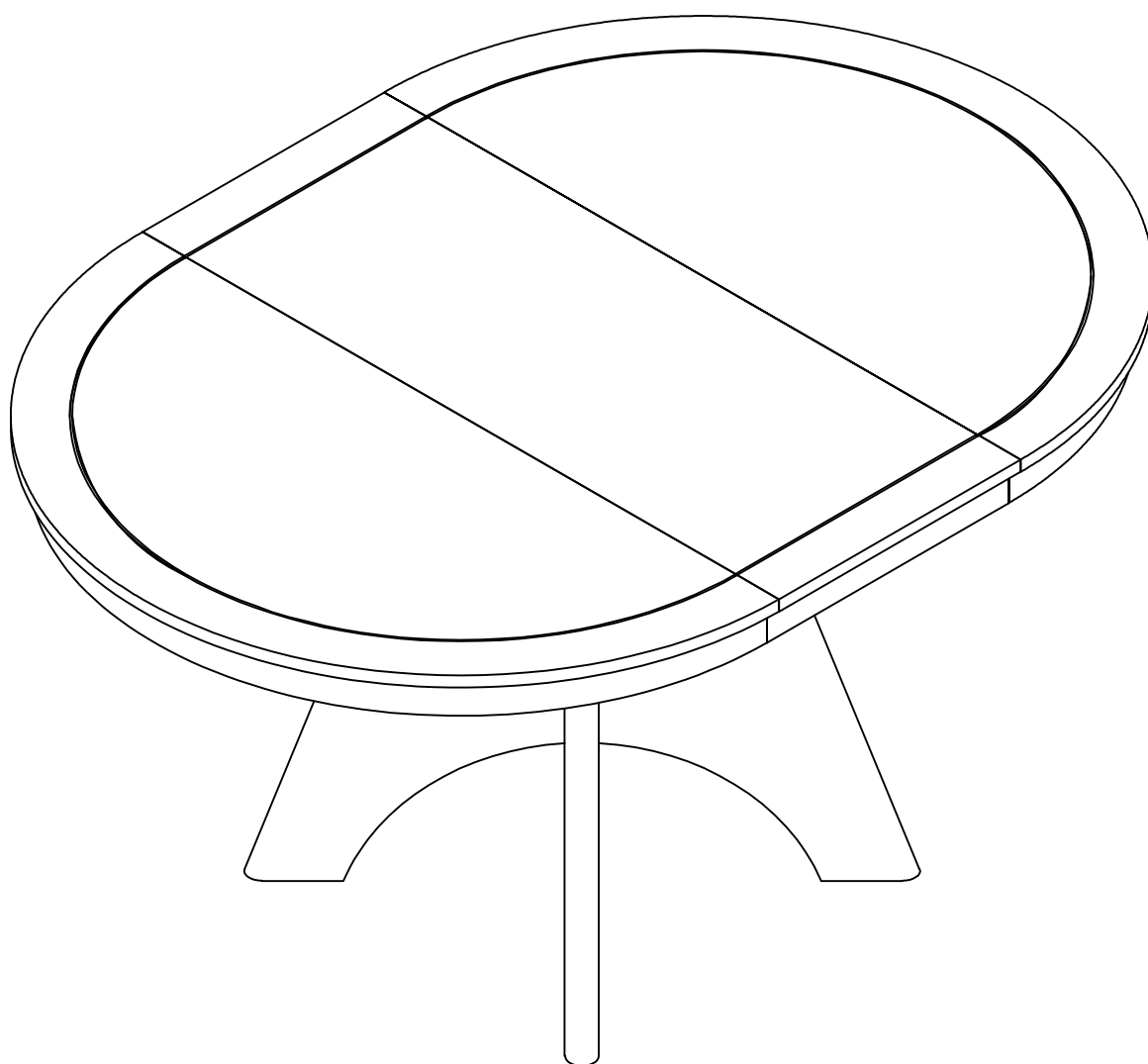


# ASSEMBLY INSTRUCTION

ITEM: N715P399861

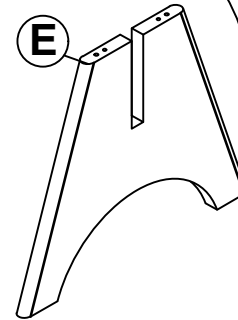
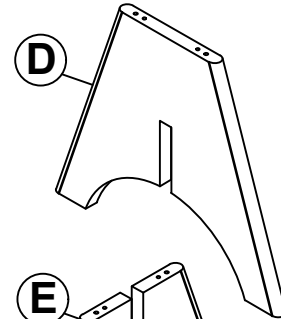
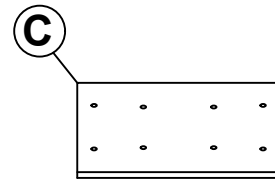
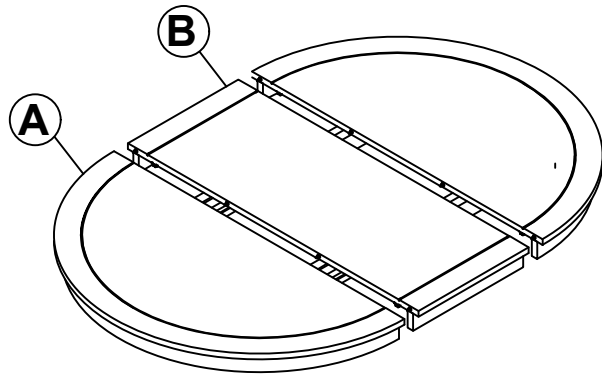
DINING TABLE

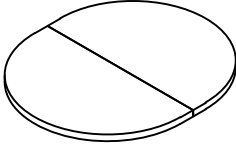

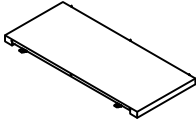

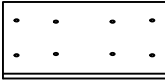
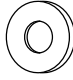
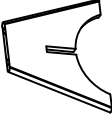

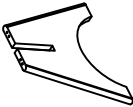



**IMPORTANT NOTE :**

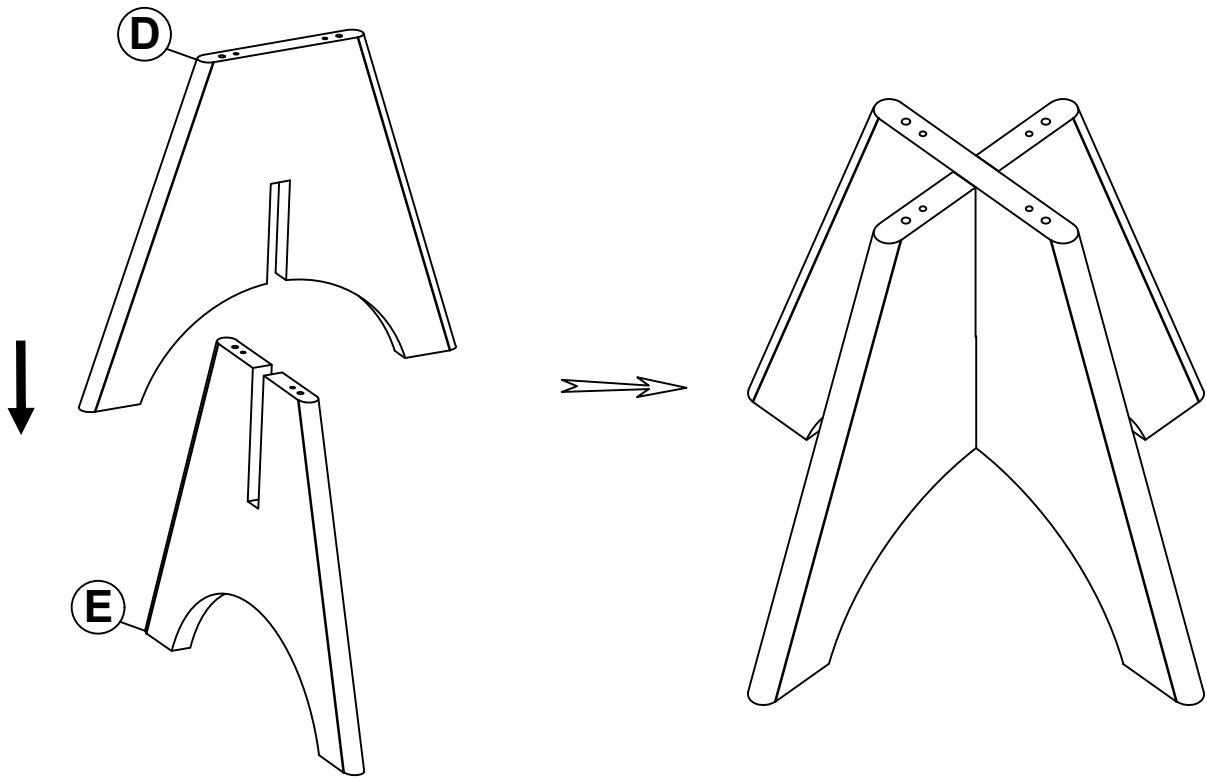
- ① PLACE ALL PARTS ON A CLEAN AND SMOOTH SURFACE SUCH AS A RUG OR CARPET TO AVOID THE PARTS FROM BEING SCRATCHED.
- ② BEFORE YOU BEGIN , KINDLY FOLLOW THE ASSEMBLY INSTRUCTIONS STEP BY STEP.
- 3 DO NOT TIGHTEN ALL SCREWS AND BOLTS UNTIL THE TABLE IS FULLY SET-UP

# Detail view

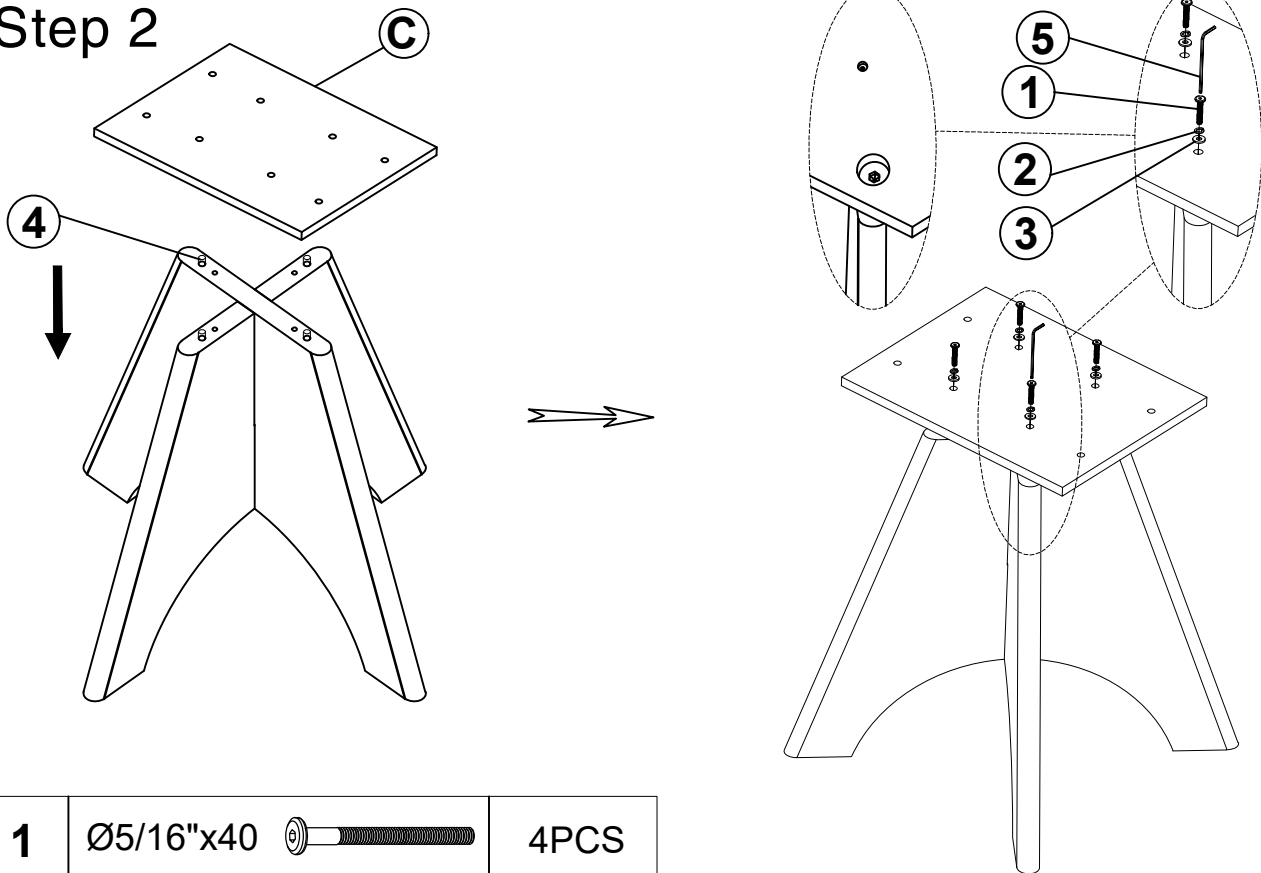







Part List	Hardware List
<p><b>A</b></p>  <p>Table Top (1pc)</p>	<p><b>1</b></p>  <p>Ø5/16" x 40mm Bolt (8pcs)</p>
<p><b>B</b></p>  <p>Center Leaf (1pc)</p>	<p><b>2</b></p>  <p>Ø5/16" x 13mm x 1.5mm Spring Washer (8pcs)</p>
<p><b>C</b></p>  <p>Link Board(1pc)</p>	<p><b>3</b></p>  <p>Ø5/16" x 19mm x 1.5mm Flat Washer (8pcs)</p>
<p><b>D</b></p>  <p>Table Middle Leg (1pc)</p>	<p><b>4</b></p>  <p>Ø8 x 30mm Wooden Dowel (4pcs)</p>
<p><b>E</b></p>  <p>Table Legs (1pcs)</p>	<p><b>5</b></p>  <p>4 x 58mm Allen key (1pc)</p>

# Step 1

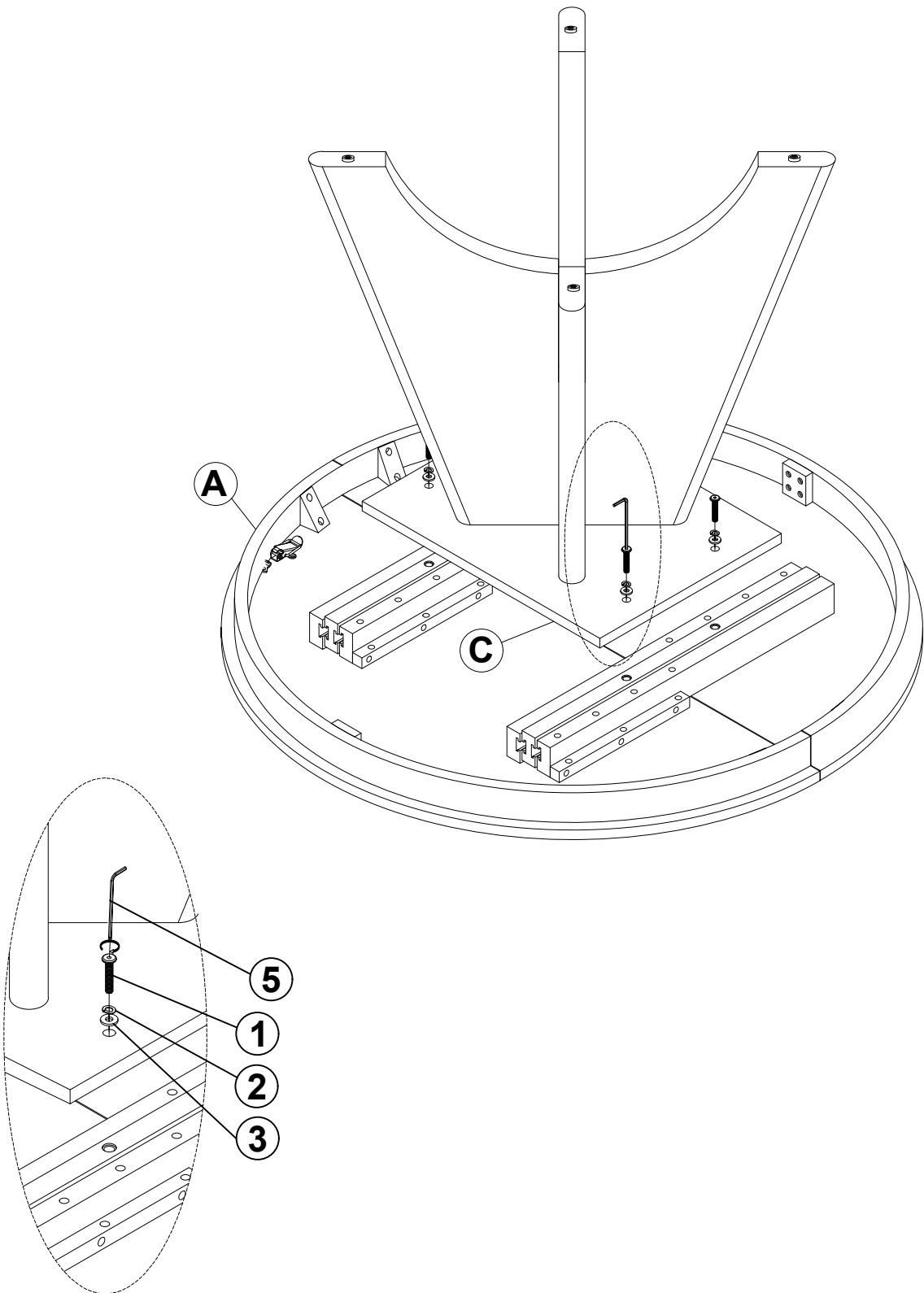






# Step 2



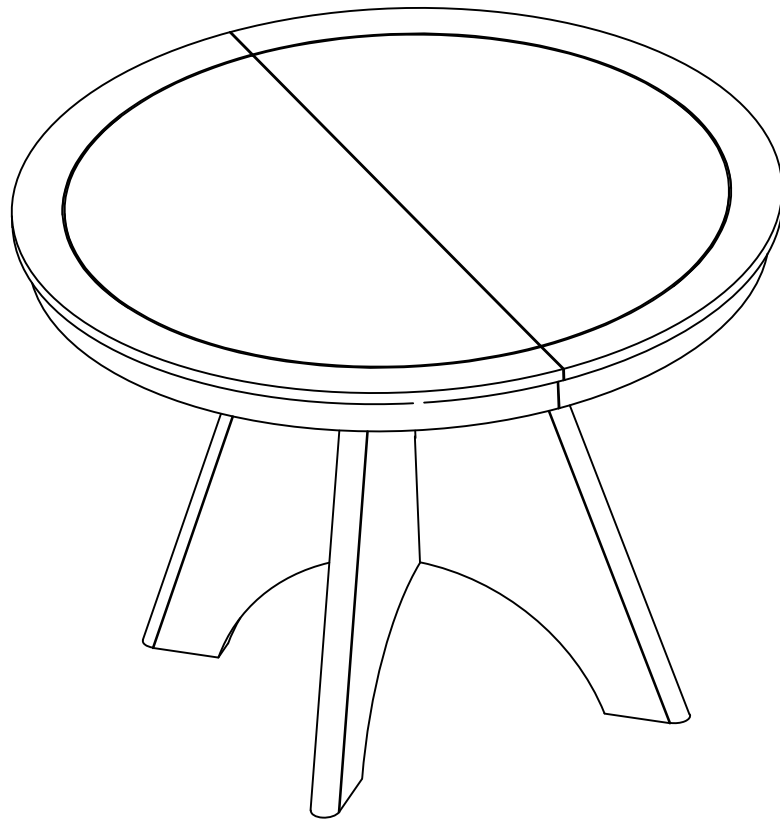
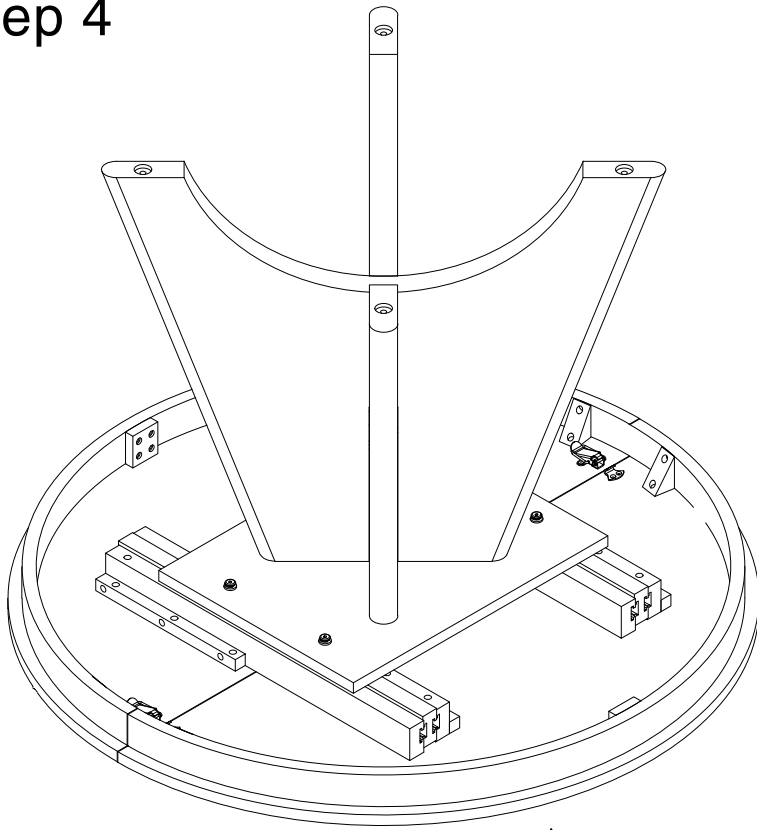
<b>1</b>	Ø5/16"x40 	4PCS			
<b>2</b>	Ø5/16"x13x1.5 	4PCS	<b>3</b>	Ø5/16"x19x1.5 	4PCS
<b>4</b>	Ø8x30 	4PCS	<b>5</b>	4x58 	1PC

# Step 3

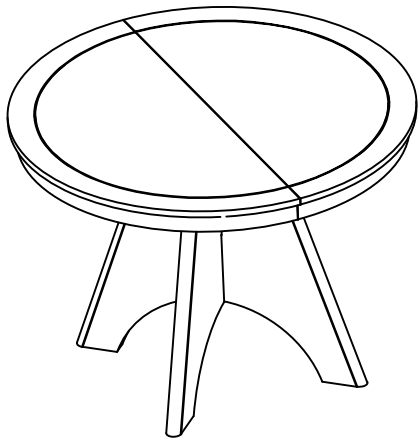


<b>1</b>	Ø5/16"x40 	4PCS	<b>4</b>	Ø5/16"x19x1.5 	4PCS
<b>3</b>	Ø5/16"x13x1.5 	4PCS	<b>6</b>	4x58 	1PC

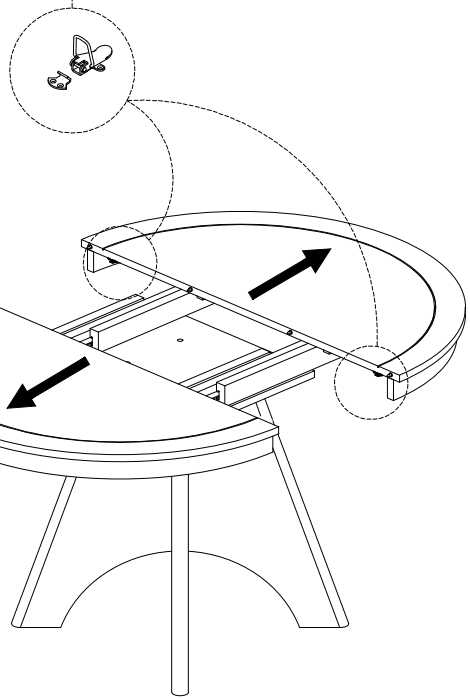
# Step 4



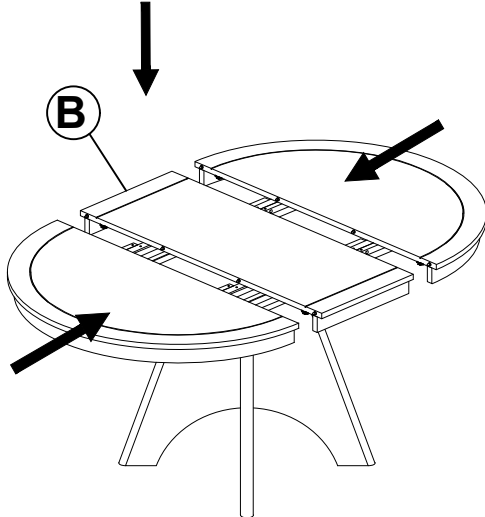
# Step 5



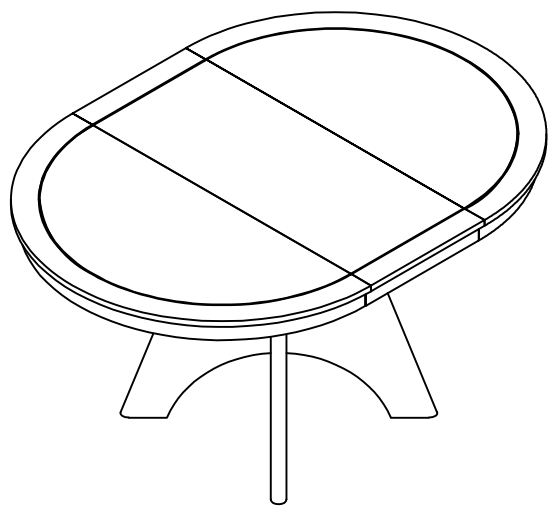
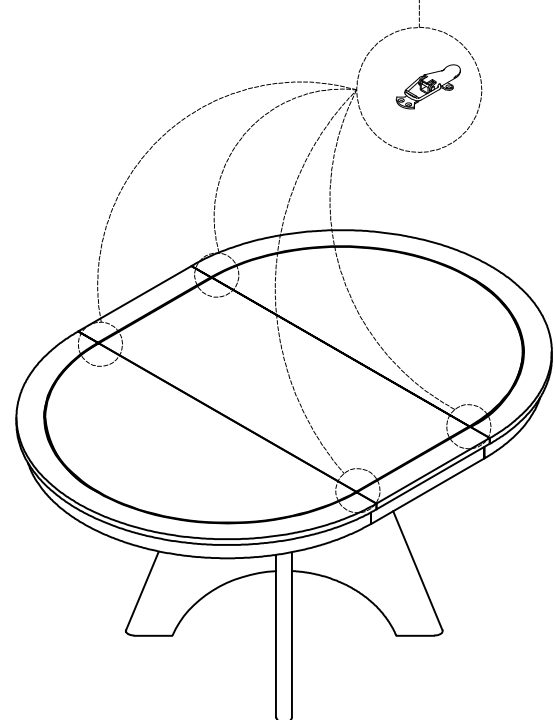
Unlock in these positions and pull the table top to either side.



Place B in this position and align the drill holes accordingly then push the two table tops together.



Hardware lock these positions.



Completed