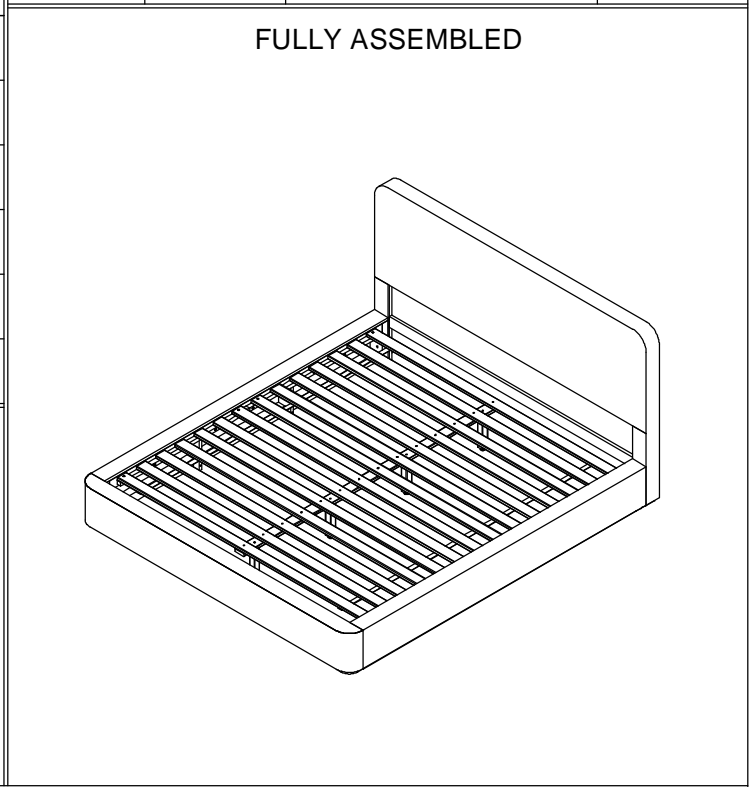


ELORA WOOD C.KING BED ASSEMBLY INSTRUCTIONS

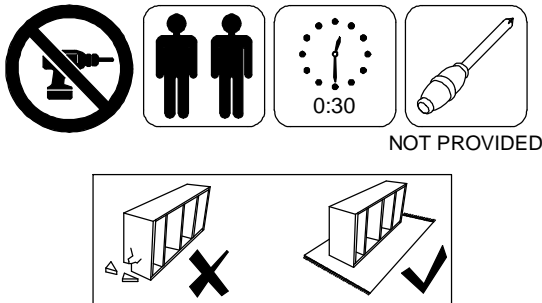


| BOX 1 - HEADBOARD-FOOTBOARD | | | | BOX 2 - SIDERAILS | | | |
|-----------------------------|-------|-------------|----------|-------------------|-------|-------------|----------|
| PART NO. | IMAGE | DESCRIPTION | QUANTITY | PART NO. | IMAGE | DESCRIPTION | QUANTITY |
| A | | HEADBOARD | 1 | C | | SIDERAIL | 2 |
| B | | FOOTBOARD | 1 | D | | CENTER SLAT | 1 |
| | | | | E | | LEG SUPPORT | 4 |
| | | | | F | | SLAT ROLL | 1 |

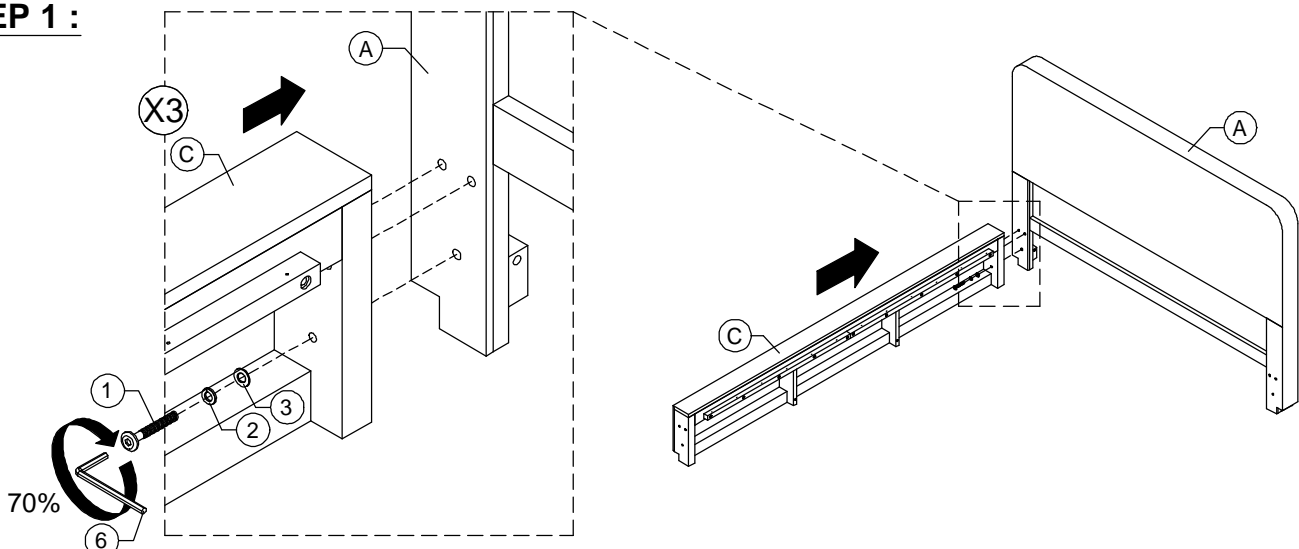
| HARDWARE KIT PACKED IN BOX 1 | | | |
|------------------------------|--|---------------------|----|
| 1 | | ALLEN BOLT (8X60mm) | 12 |
| 2 | | SPRING WASHER (M8) | 12 |
| 3 | | FLAT WASHER (M8) | 12 |
| 4 | | WOOD SCREW (8X30mm) | 9 |
| 5 | | ALLEN BOLT (6X40mm) | 11 |
| 6 | | ALLEN KEY | 1 |



YOUR BOX MAY CONTAIN EXTRA HARDWARE



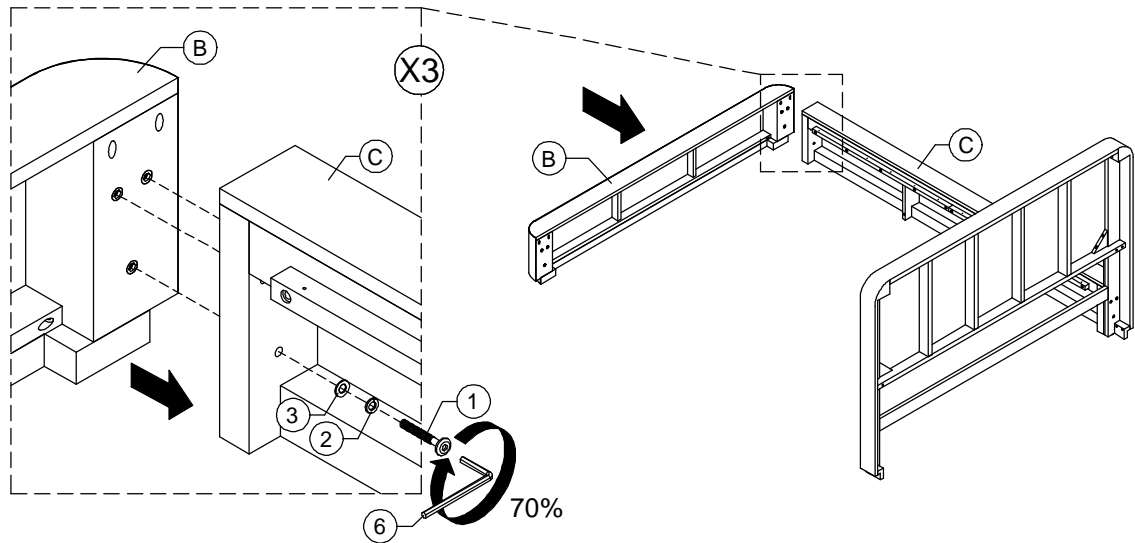
STEP 1 :



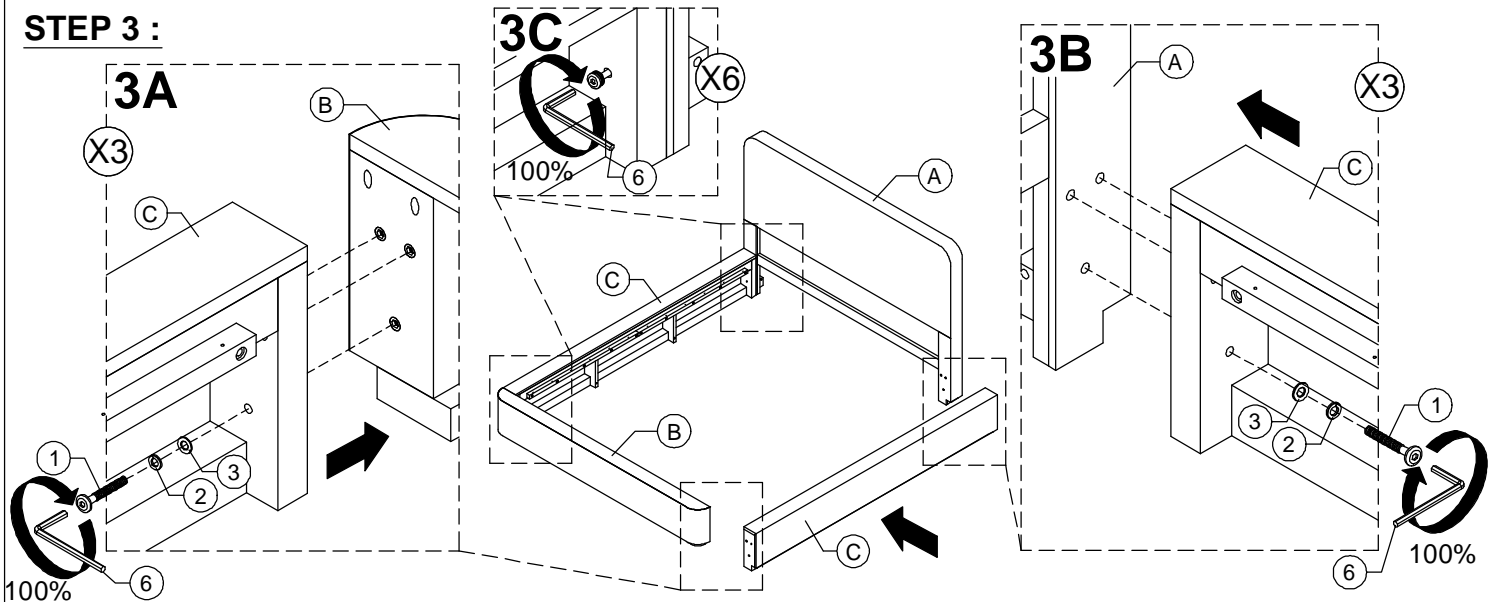
ELORA WOOD C.KING BED ASSEMBLY INSTRUCTIONS



STEP 2 :



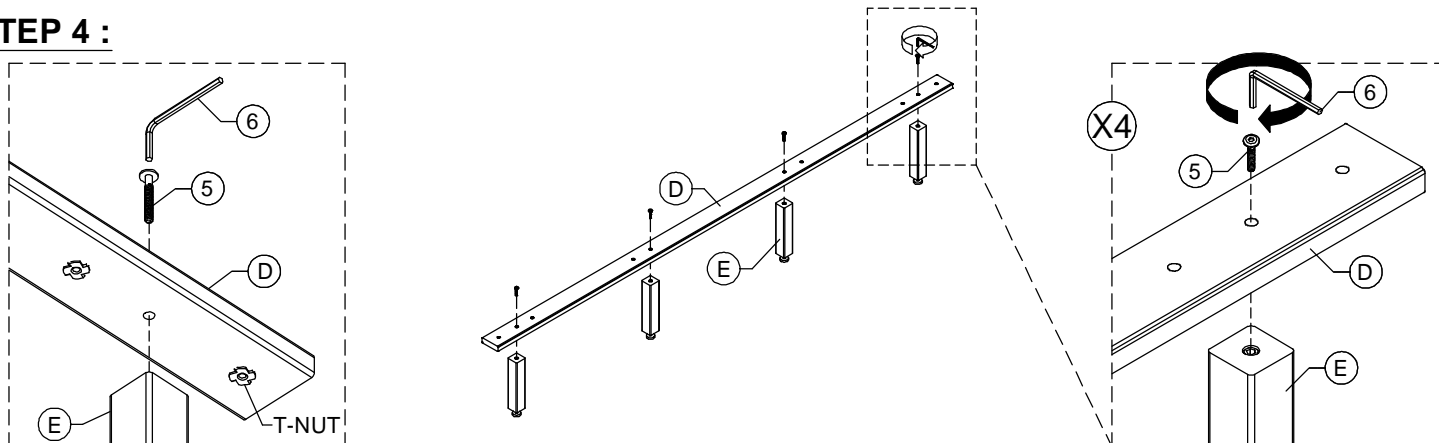
STEP 3 :



STOP

- IF USING BED FRAME WITH ADJUSTABLE MATTRESS BASE, SKIP TO APPENDIX A: ADJUSTABLE MATTRESS BASE ASSEMBLY SUPPLEMENT.
- IF USING BED FRAME WITH STANDARD BOX SPRING OR FOUNDATION CONTINUE TO STEP 4.

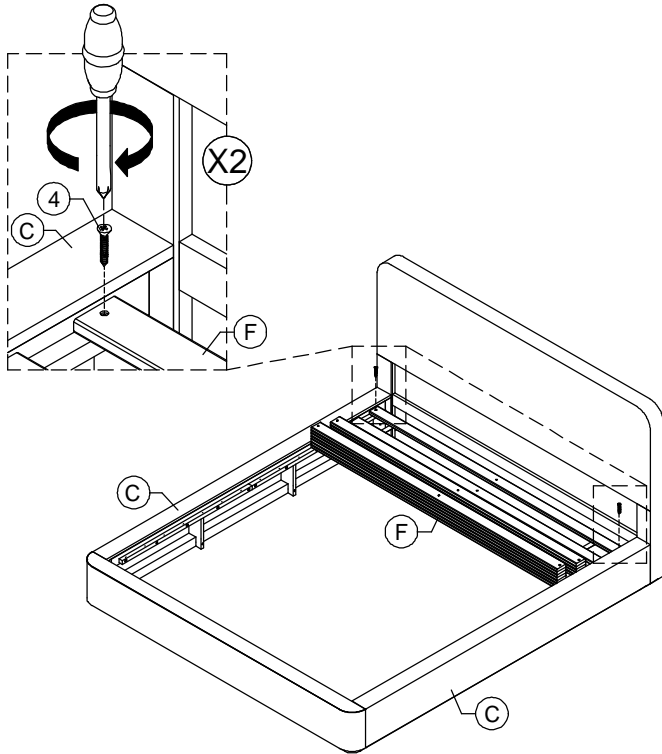
STEP 4 :



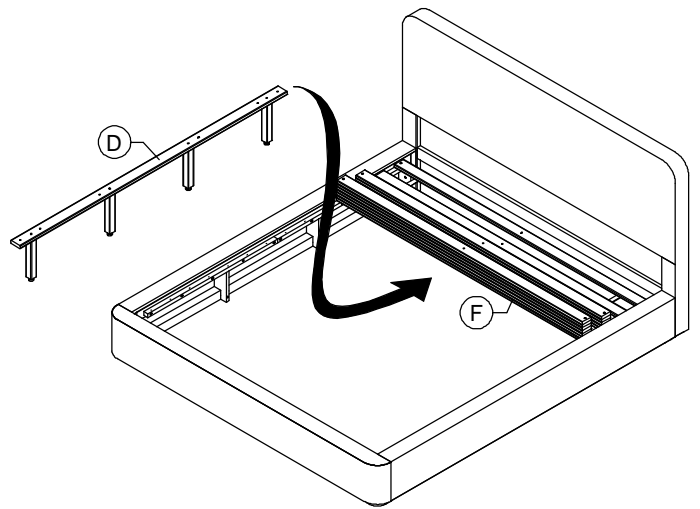
ELORA WOOD C.KING BED ASSEMBLY INSTRUCTIONS



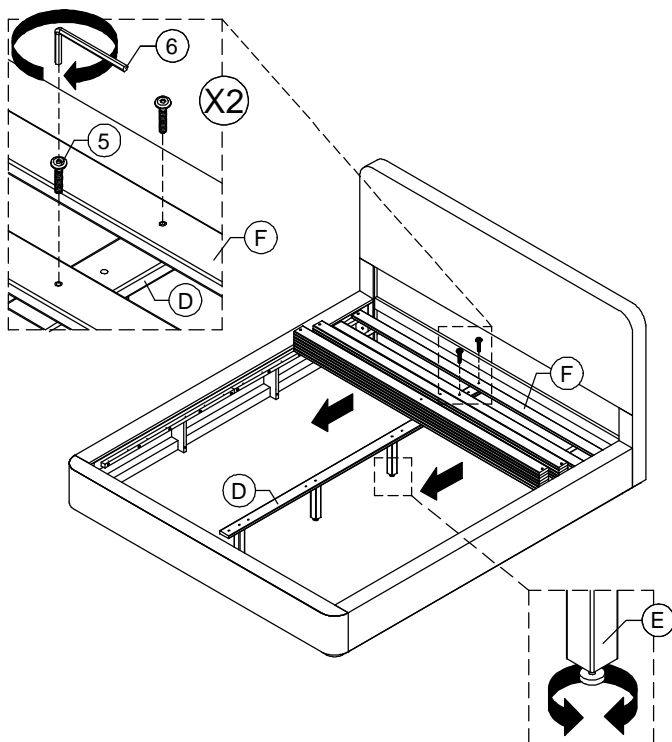
STEP 5 :



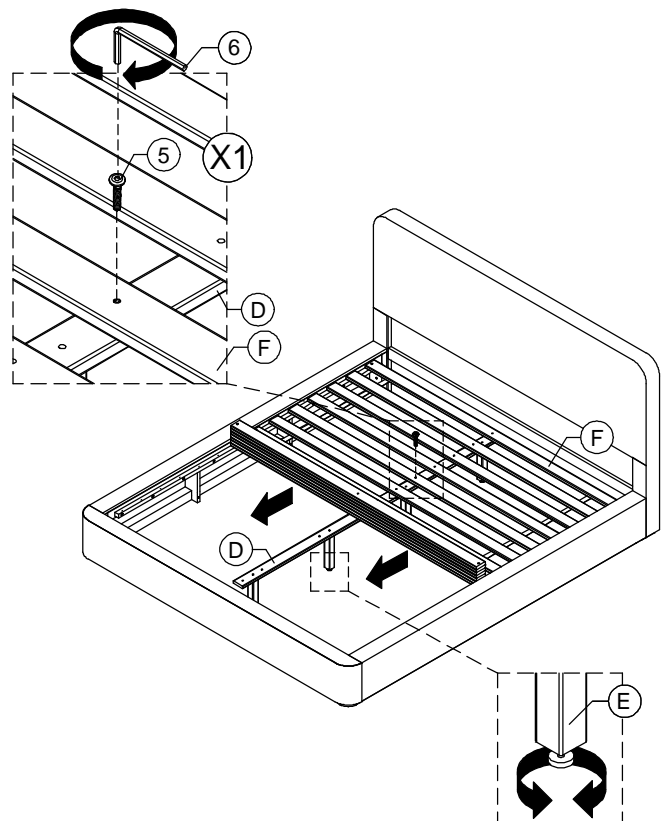
STEP 6 :



STEP 7 :



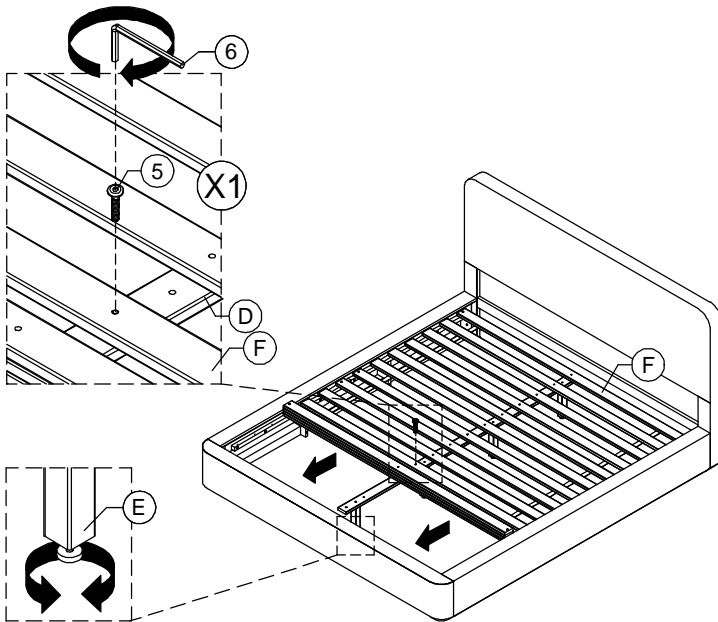
STEP 8 :



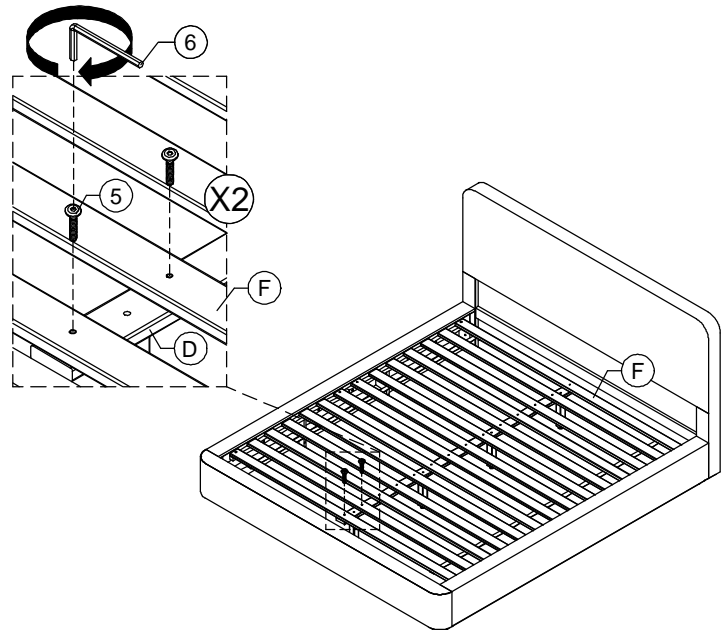
ELORA WOOD C.KING BED ASSEMBLY INSTRUCTIONS



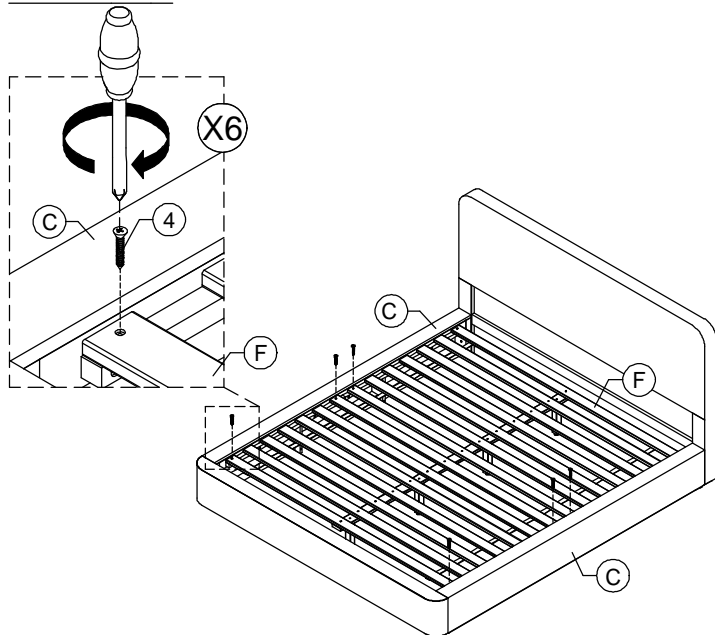
STEP 9 :



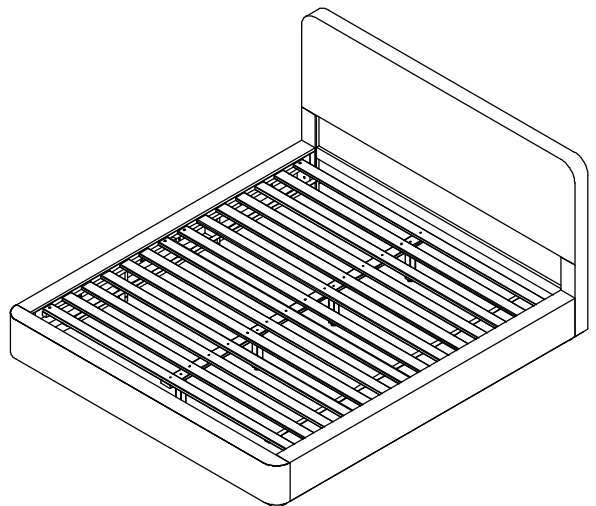
STEP 10 :



STEP 11 :



STEP 12 :



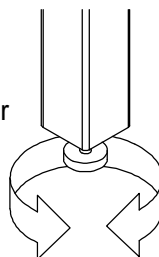
ASSEMBLY COMPLETE

INSTRUCTIONS FOR ADJUSTING LEVELER :

Position the bed in your space and locate the leveler under each leg support (E).

Turn the leveler counter-clockwise to extend the leveler and clockwise to retract it.

Adjust each leveler until each leg support is applying equal, upward pressure on the center slat.



MAINTENANCE INSTRUCTIONS :

- Periodically check all fittings and tighten if necessary, as they can loosen over time.
- Always remove box spring and mattress before moving the bed.
- Lift the bed when moving it. Dragging the bed can damage the center support.
- Readjust levelers after moving the bed.

ELORA WOOD C.KING BED

APPENDIX A: ADJUSTABLE MATTRESS BASE ASSEMBLY SUPPLEMENT



AN ADJUSTABLE MATTRESS BASE IS A FREESTANDING MATTRESS SUPPORT THAT SITS WITHIN THE PERIMETER OF THE BED FRAME.

IF USING THIS BED FRAME WITH A STANDARD BOX SPRING OR FOUNDATION THESE INSTRUCTIONS DO NOT APPLY.

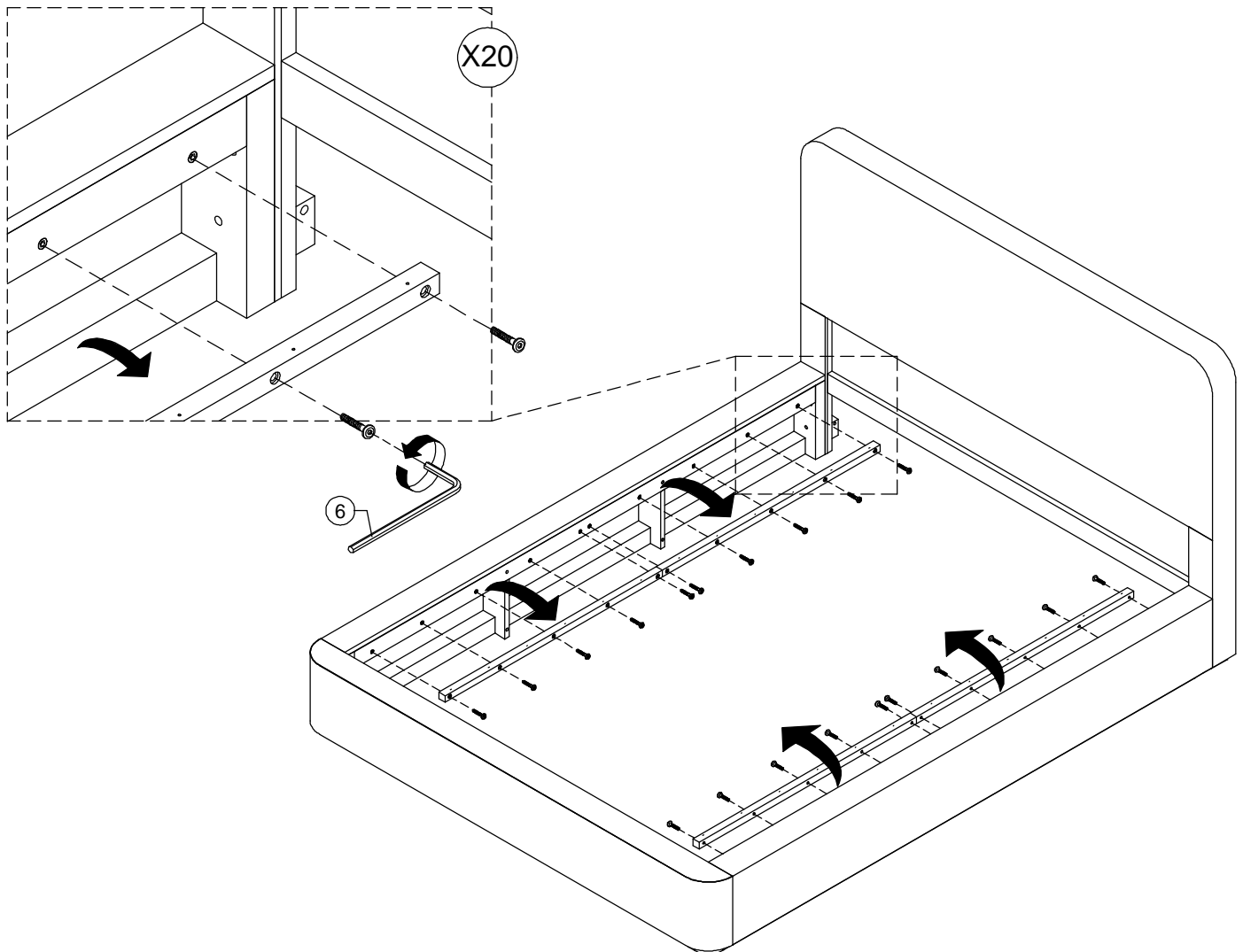
PRE-ASSEMBLED SIDE RAIL CLEATS OBSTRUCT ADJUSTABLE BASE INSTALLATION AND OPERATION. FOLLOW THESE INSTRUCTIONS TO REMOVE THEM.

THE FOLLOWING PARTS ARE NOT REQUIRED FOR ADJUSTABLE MATTRESS BASE INSTALLATION:

| | | | |
|----------------|------|------------------------|-------|
| D. CENTER SLAT | 1PC | 4. WOOD SCREW (8X30mm) | 9PCS |
| E. LEG SUPPORT | 4PCS | 5. ALLEN BOLT (6X40mm) | 11PCS |
| F. SLAT ROLL | 1SET | | |

STEP 1 :

USE ALLEN KEY (6) TO UNSCREW ALLEN BOLTS AND REMOVE PRE-ASSEMBLED SIDE RAIL CLEATS.



NOTE: YOU MAY WISH TO RETAIN UNUSED PARTS IF IN THE FUTURE YOU INTEND TO USE THE BED FRAME WITH A STANDARD BOX SPRING OR FOUNDATION.