

INSTRUCTION MANUAL





Attention :

If you encounter any problems during installation or use, pls feel free to contact us on shopping platform. We will provide you with a satisfactory solution within 24 hours.

Dining Table

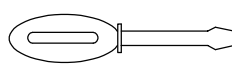
 1 - ITEMS DELIVERED-TECHNICAL DATA


 2 - ASSEMBLY

 3 - CLEANING AND MAINTENANCE

 1 - ITEMS DELIVERED-TECHNICAL DATA

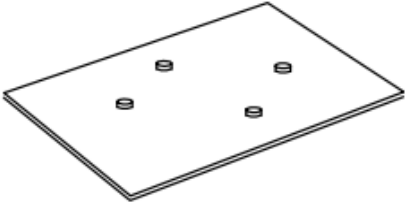
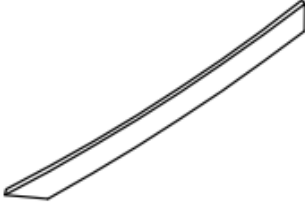
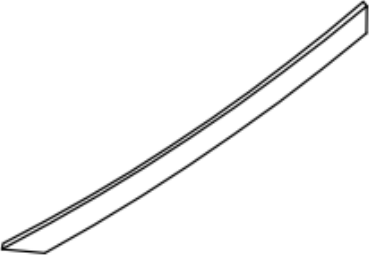



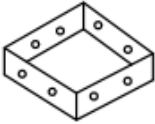





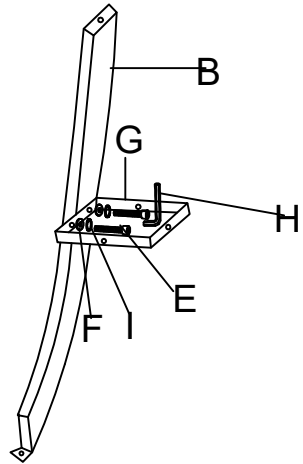
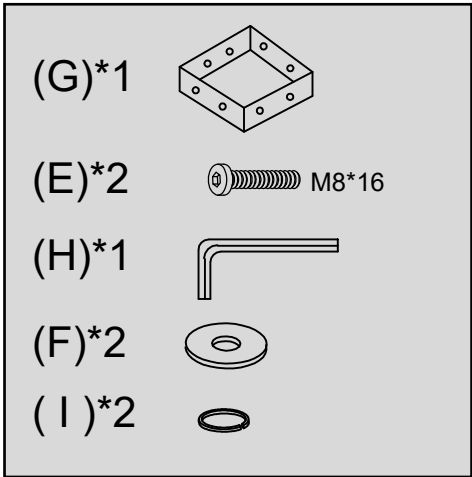
TO RISE

YOURSELF


ASSEMBLY

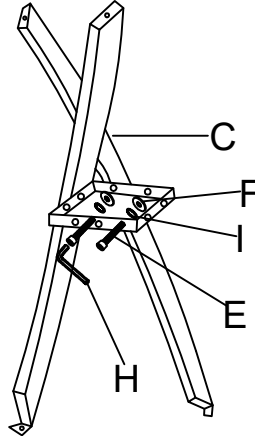
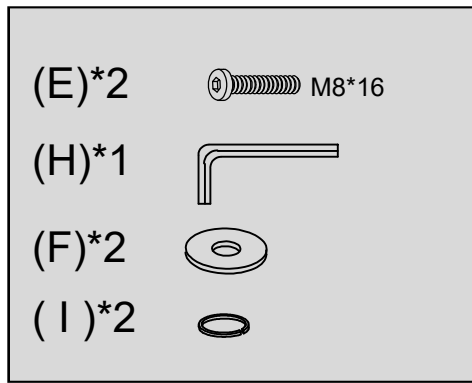


2 - ASSEMBLY

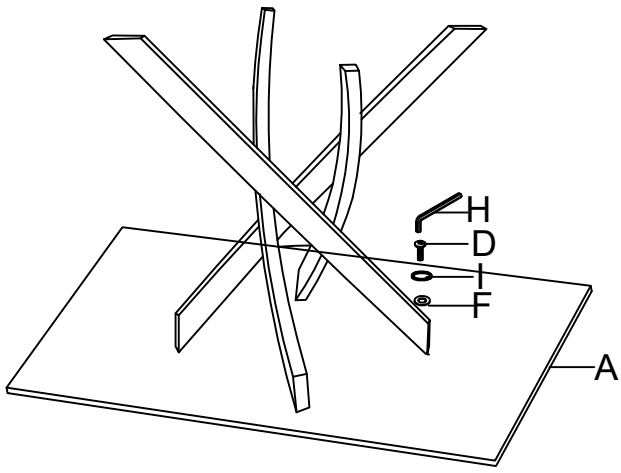
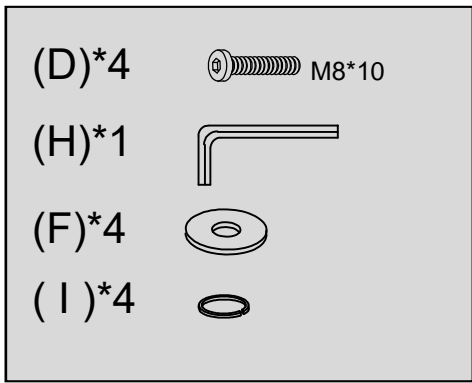
 <p>(A)*1</p>	 <p>(B)*2</p>
 <p>(C)*2</p>	 <p>(D)*4</p> <p>M8*10</p>
 <p>(E)*8</p> <p>M8*16</p>	 <p>(F)*12</p>
 <p>(G)*1</p>	 <p>(H)*1</p>
 <p>(I)*12</p>	 <p>(J)*1</p>



1



2



3

 3 - CLEANING AND MAINTENANCE

- Do not use corrosive or abrasive for cleaning products.
- Clean with a soft cloth
- Don't interfere with metal objects in a mechanism, so that they are threatened with serious deterioration.