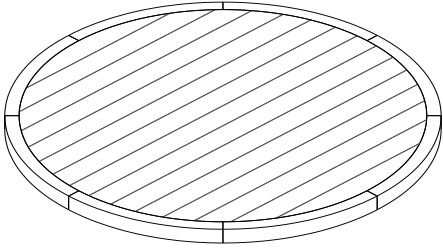
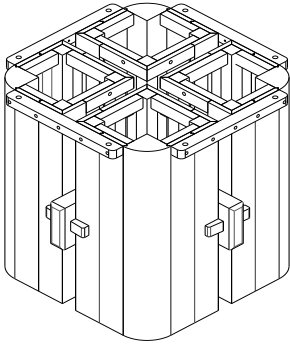
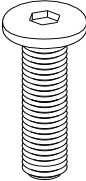
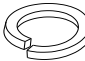



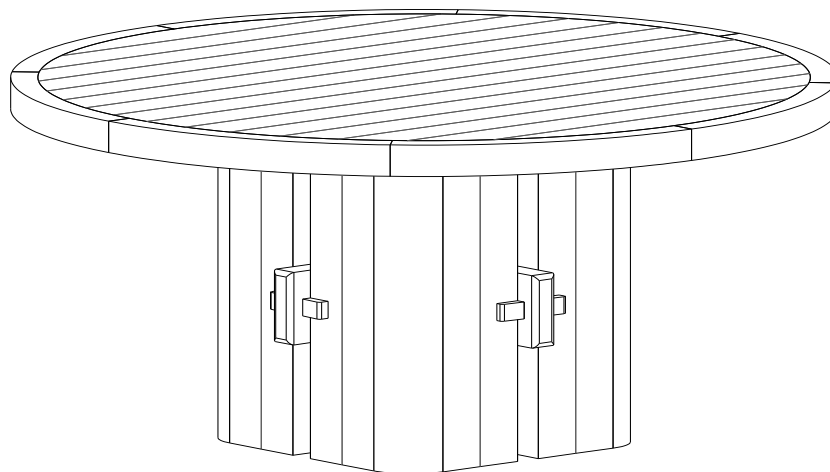


# ASSEMBLY INSTRUCTIONS

## PARTS LIST

A	TABLE TOP X 1			<p><b>Before beginning</b></p> <p>1 - Carefully unpack and position the item on a clean, non-marring surface to assemble.</p> <p>2 - Read this Assembly Instructions from beginning to end before starting to assemble.</p> <p>3 - Take an inventory of the required parts to ensure all are available.</p> <p>4 - To prevent accidental choking hazards, keep all packing materials away from small children.</p>					
B	LEG X 1			<p>5 - Only tighten hardware until ALL hardware are fully engaged on their locations. Overtighten bolts will damage the bolt threads.</p> <p>6 - Use only factory provided hardware to assemble. Unapproved hardware can damage product or jeopardize the structural integrity of the product.</p> <p>7 - The use of power tool to assemble is not recommended due to high risk of over-torque, which can damage the product.</p>					
Z	HARDWARE	<p><b>Z1</b></p>  <p>8X60MM X 8</p>	<p><b>Z2</b></p>  <p>8X12X2MM X 8</p>	<p><b>Z3</b></p>  <p>8X19X2MM X 8</p>	<p><b>Z4</b></p>  <p>4X59MM X 1</p>	<p><b>Z5</b></p>  <p>X4 Adjustable Floor Glide (Pre-installed at the bottom of the legs)</p>			



ASSEMBLY REQUIRES  
TWO PEOPLE



15-MINUTE  
ASSEMBLY TIME

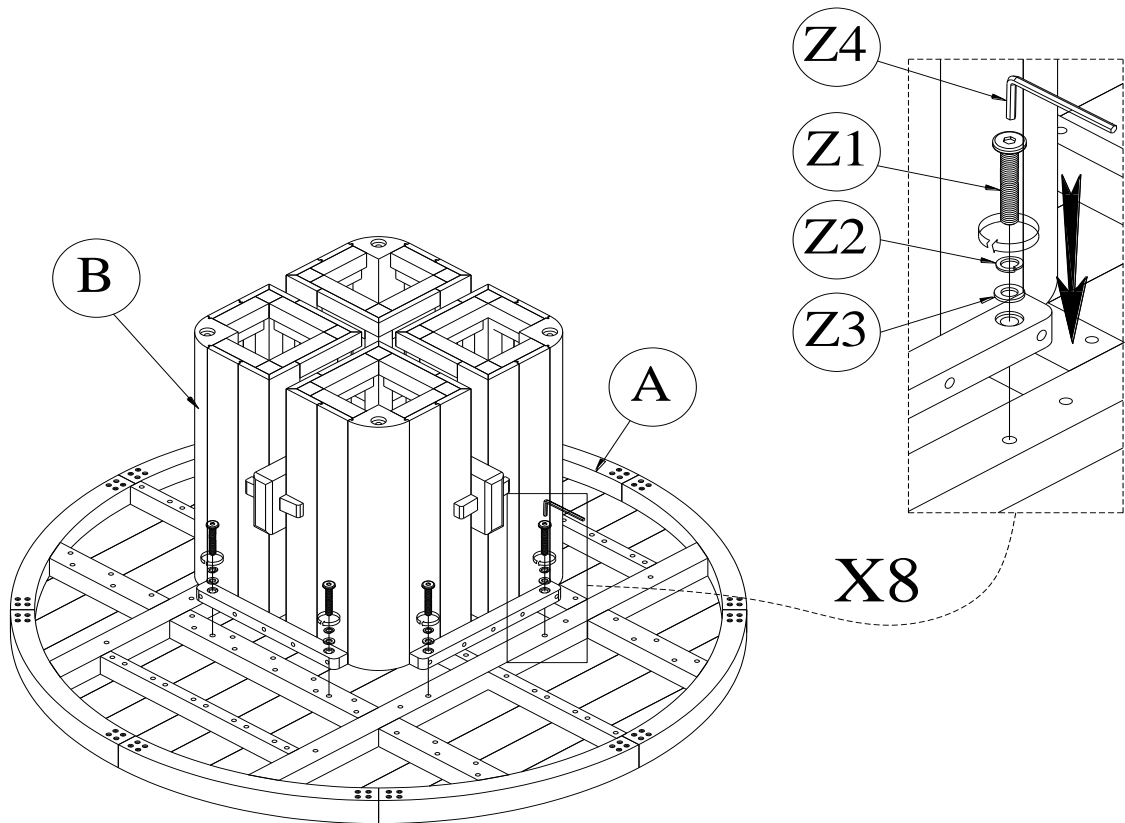


KEEP INSTRUCTIONS  
FOR FUTURE USE



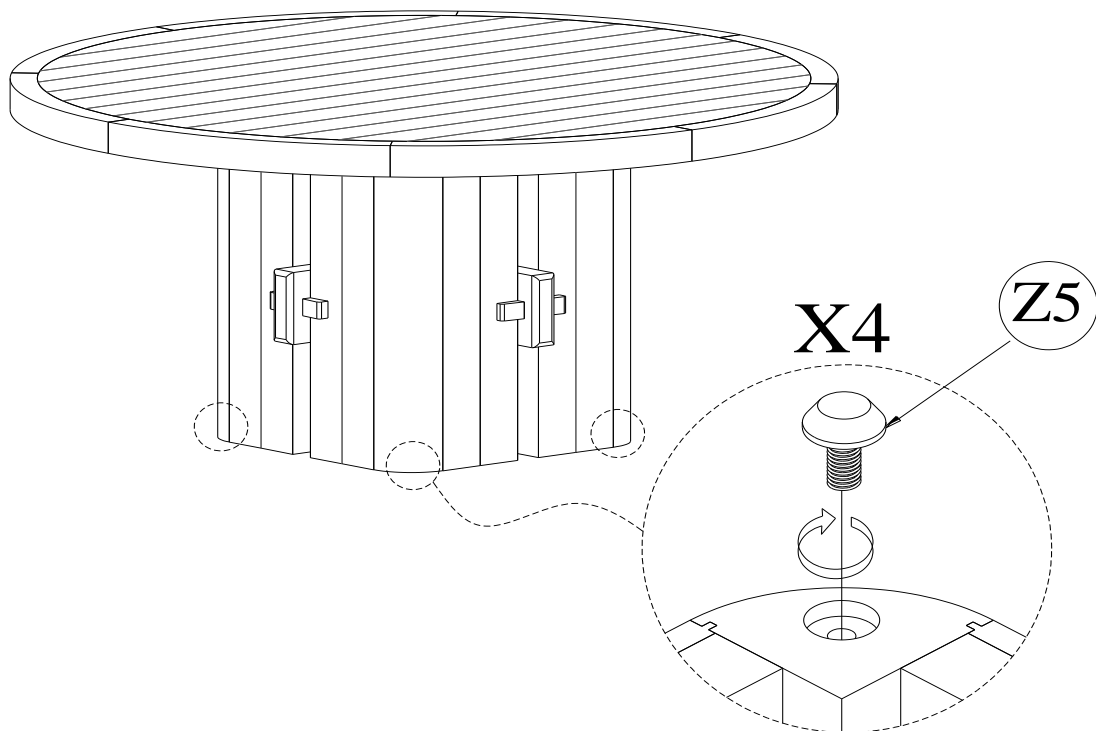
# ASSEMBLY INSTRUCTIONS

1



- Attach the Leg set (B) into the Table Top (A).
- Using the Allen Key (Z4), tighten all Allen Bolts (Z1), Spring Washers (Z2), and Washers (Z3).

2



- With the assistance of two people, carefully flip the table over and position it on its legs.
- If the table is not level, make adjustments by using the adjustable floor glides beneath the legs.
- Assembly Completed