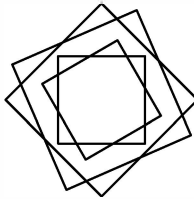
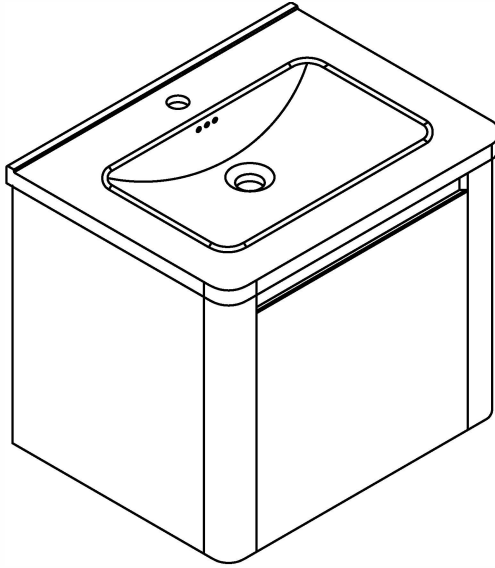


Installation Manual

MOTIVATE



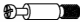









YOUR LIFE !



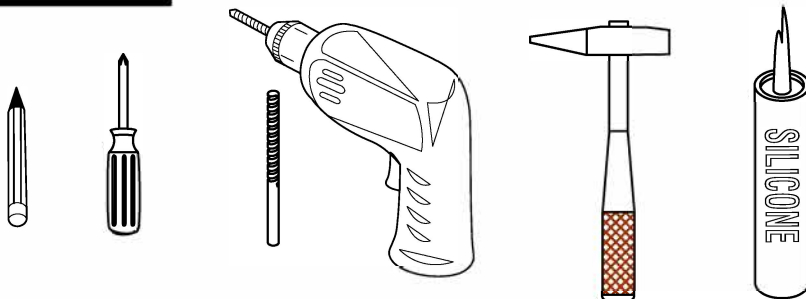
Thank you for shopping with us!

We encourage you to take a few minutes to go through this booklet. It contains important information on installation and care tips to keep your furniture looking as good as new.

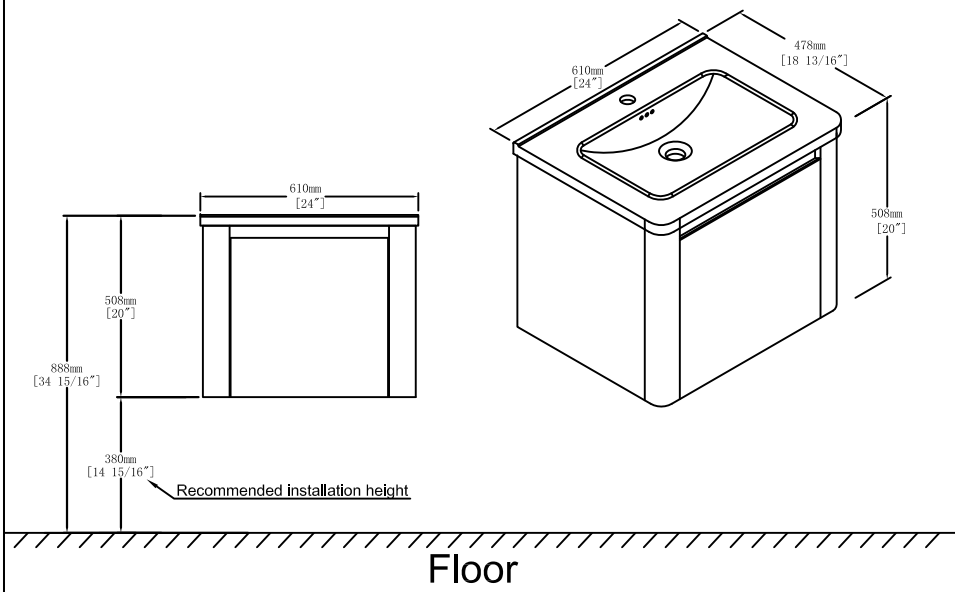
Hardware

NO.	Draw	QTY	NO.	Draw	QTY
A	 Screws Ø4x14mm	32	H	 Bracket (19x19x35mm)	2
B	 Two-in-one connector	17	I	 Hinges(Internal hiding)	2
C	 Two-in-one connector	17	J	 Screws Ø4x25mm	6
D	 Wood plug	4	K	 Anti-collision gasket	2
E	 Plastic anchor(Ø10mm)	2	L	 Screwdriver	1
F	 Screws for fix on the wall	2			
G	 Bracket (53x70x44mm)	2			

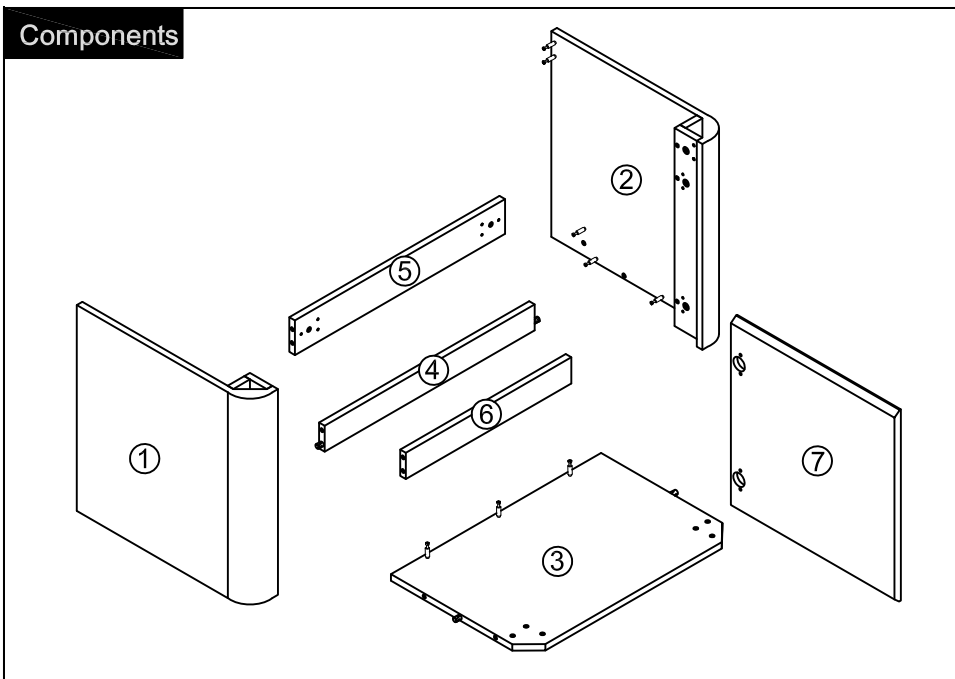
Recommended tools



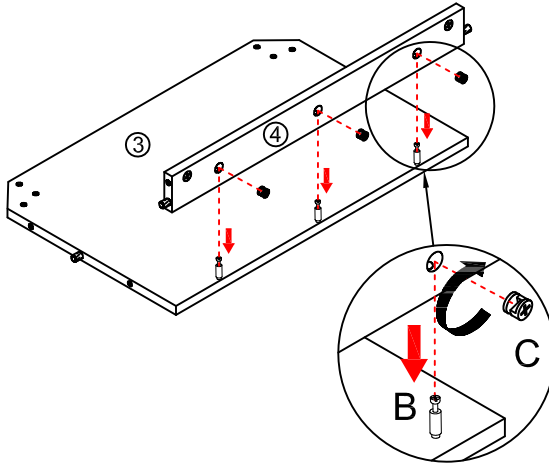
Dimensions

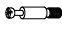




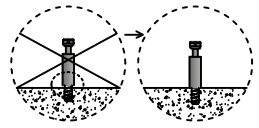
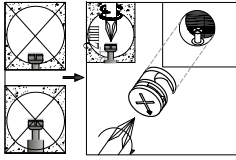
Components



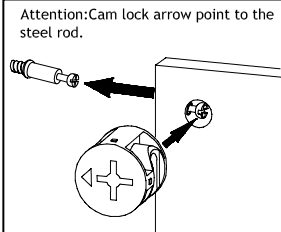
Step 1



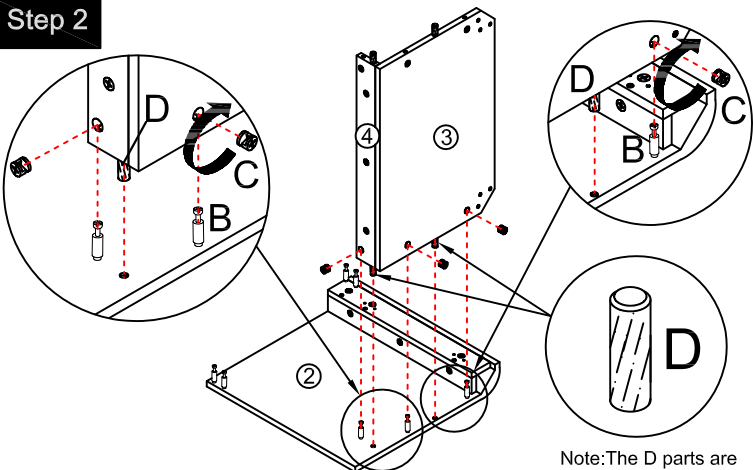
-  x3
- B**
-  x3
- C**
- 
- L**

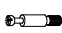





Notes: Screw installation depth as shown

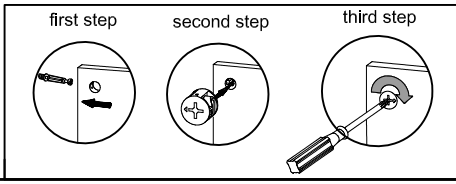
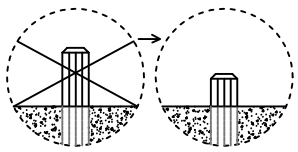


Step 2

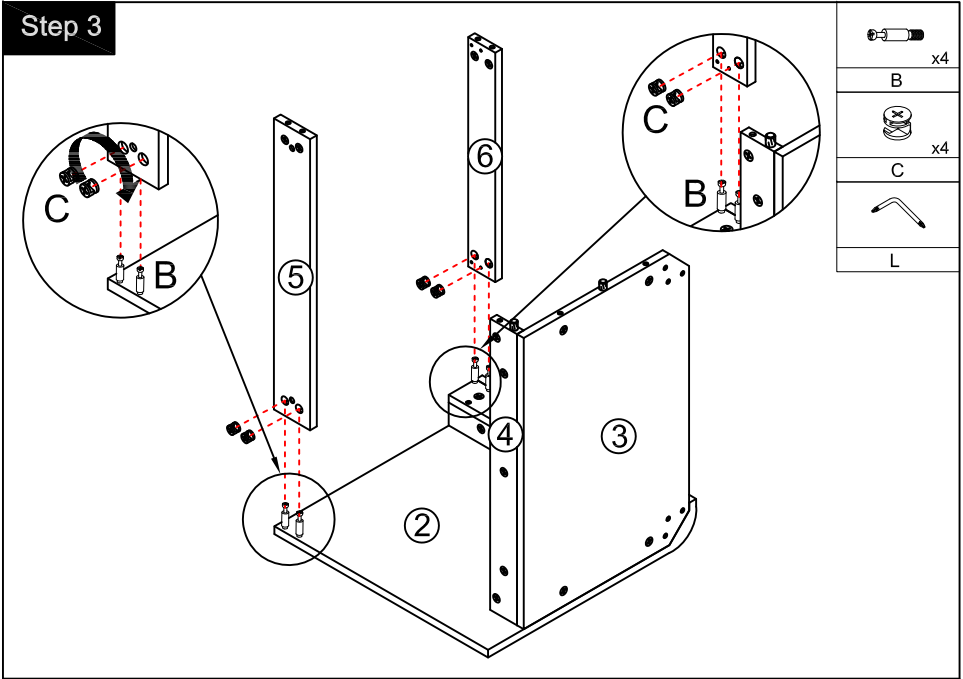


-  x3
- B**
-  x3
- C**
-  x2
- D**
- 
- L**

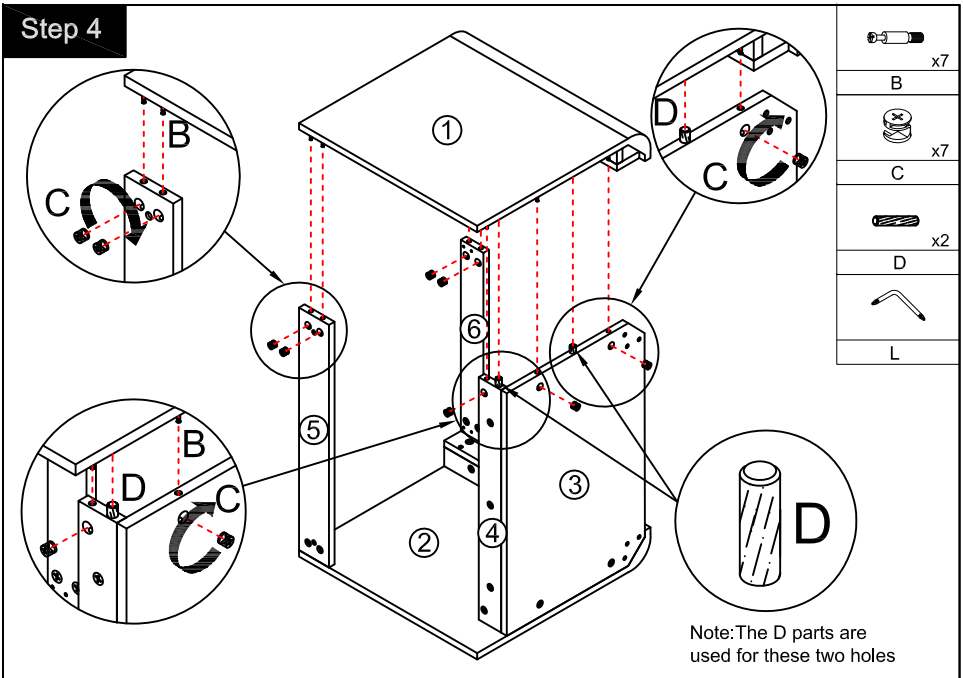
Note: The D parts are used for these two holes



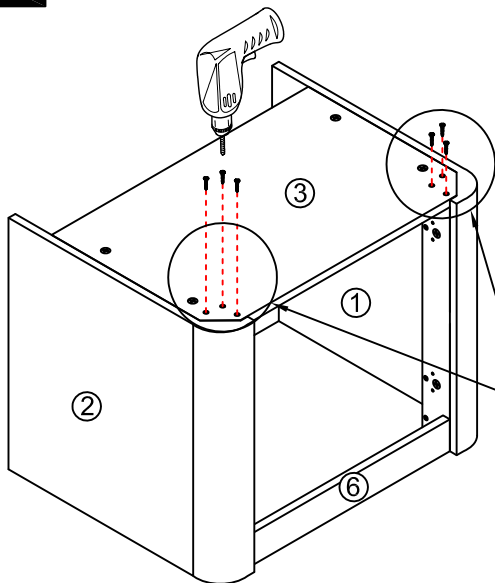
Step 3



Step 4



Step 5



($\varnothing 4 \times 25\text{mm}$)

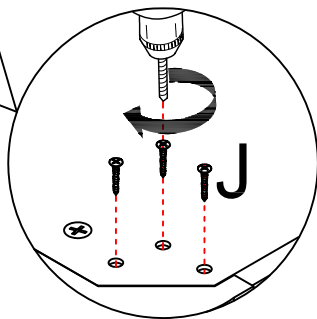


x6

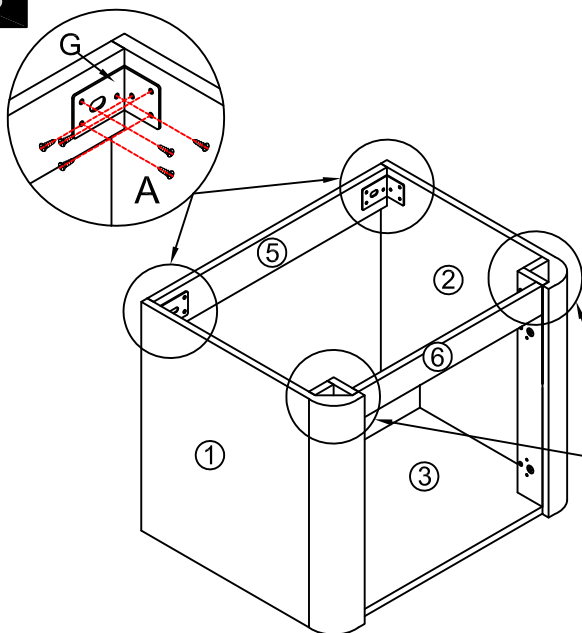
J



Tool



Step 6



x2

G



x2

H

($\varnothing 4 \times 14\text{mm}$)

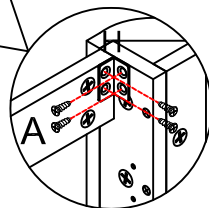


x20




A

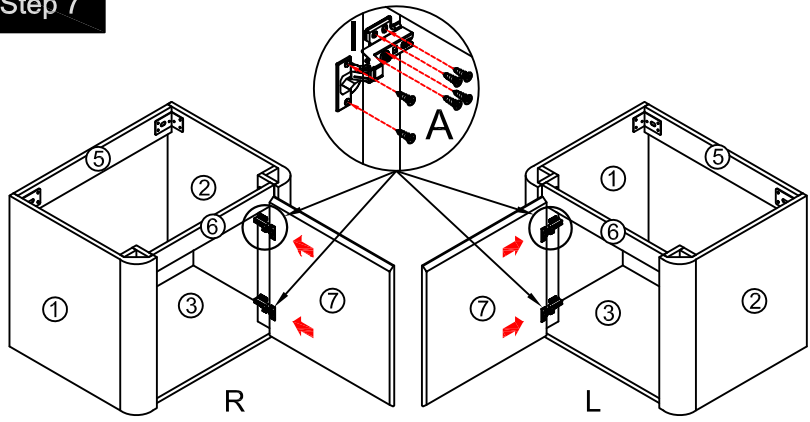


Tool



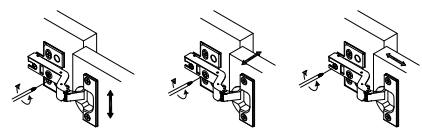
Step 7

	x2
I	
($\varnothing 4 \times 14\text{mm}$)	
	x12
A	
	
Tool	




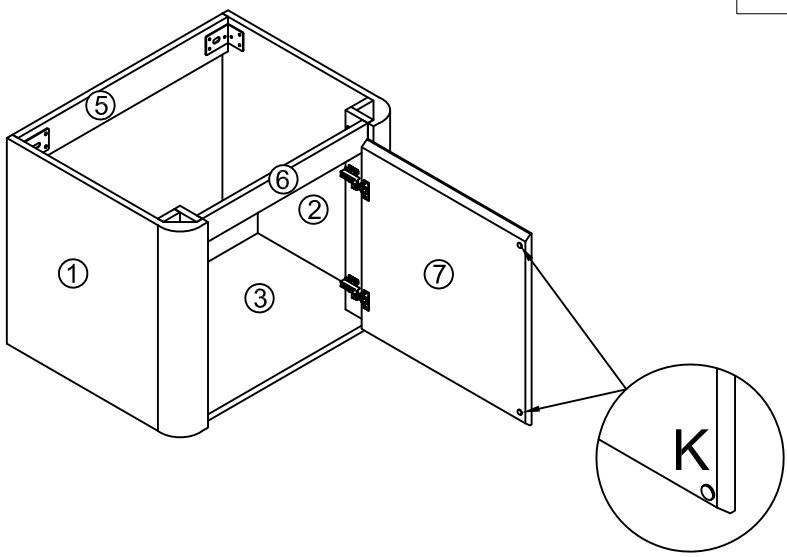
Note: The opening direction of the door panel can be installed as left or right according to one's own needs.

You can adjust the doors by tightening or loosening the screws on the hinge. →



Step 8

	x2
K	



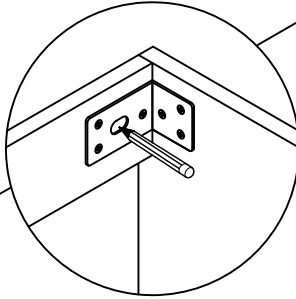
Step 9



Tool



+



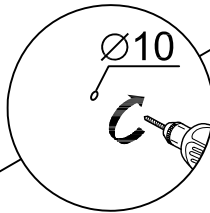
Step 10



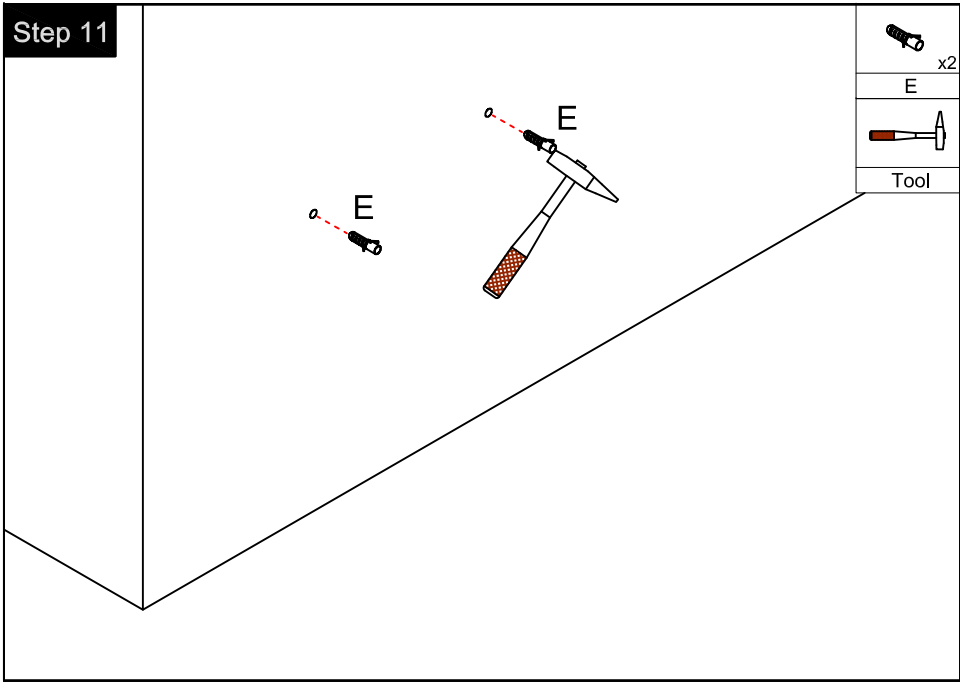
Tool



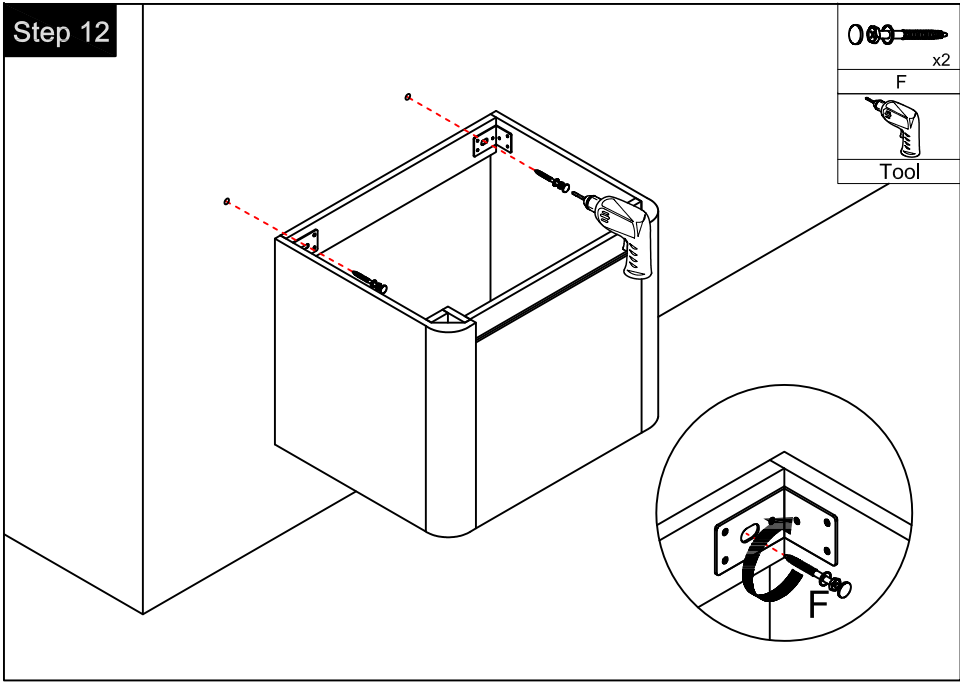
o



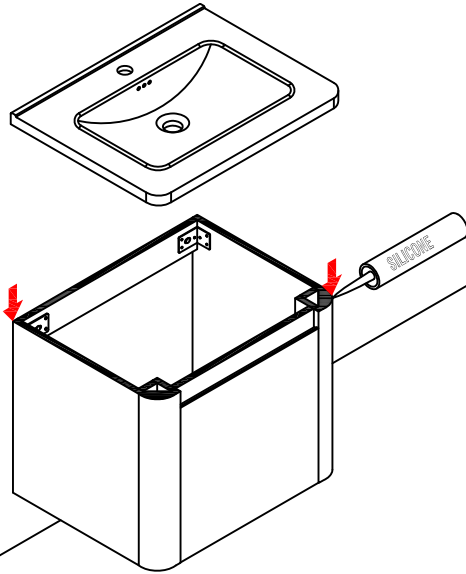
Step 11



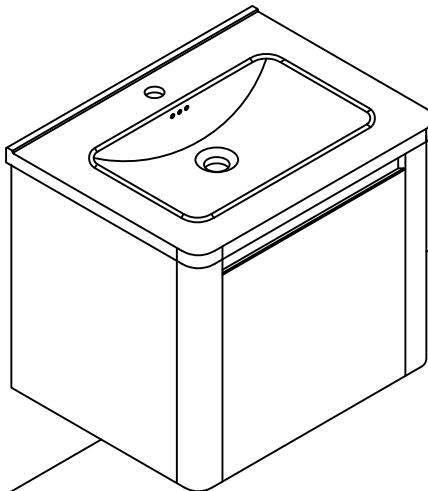
Step 12



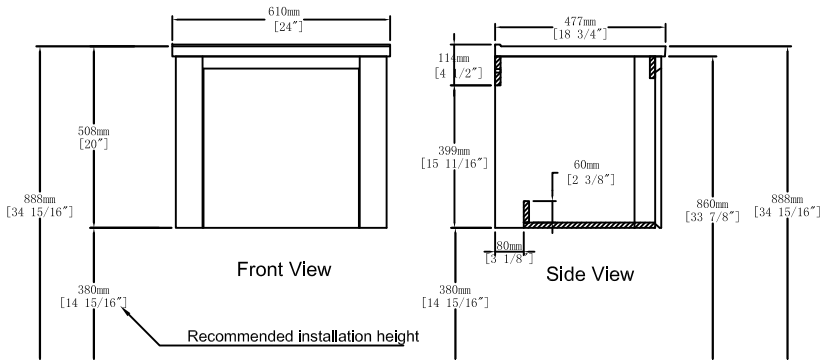
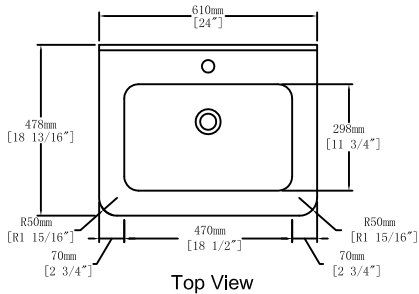
Step 13



Finished



Dimensions



Floor

CARE CLEANING AND MAINTENANCE

1. Dust regularly with a soft , dry cloth.
2. Avoid the use of all chemicals household cleaners, abrasives, or cleaners that contain lemon, vinegar, or other acids that may damage the finish.
3. Excessive exposure to sunlight and extreme changes in temperature and moisture can damage wood furniture.
4. The sink is fragile, please pay attention to maintaining its appearance.
5. Do not place hot appliances, such as curling irons and hot hair dryers directly on the countertop. Wipe spills immediately.