

ASSEMBLY INSTRUCTION TABLE








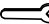
IMPORTANT SAFETY CONSTRUCTION

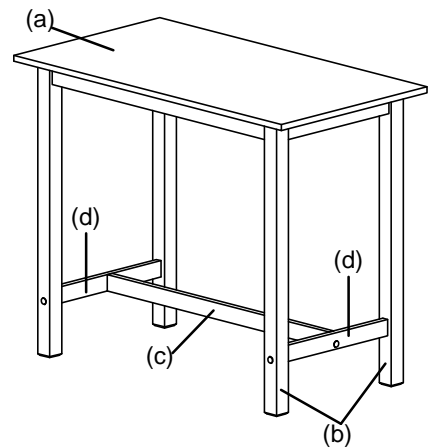
Thank you for purchasing this quality product. Be sure to check all packing material carefully for small parts that may have come loose inside the carton during shipment. Please read all instruction carefully before assembling. For your safety, assembly by two people is recommended.

PARTS INCLUDED:

- (1) Table Top (a)
- (4) Legs (b)
- (1) Long Stretcher (c)
- (2) Short Stretcher (d)

HARDWARE ENCLOSED:

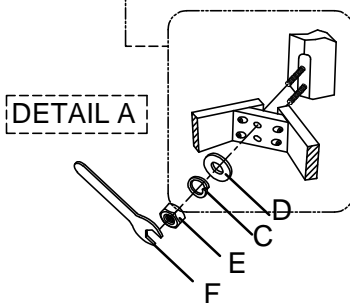
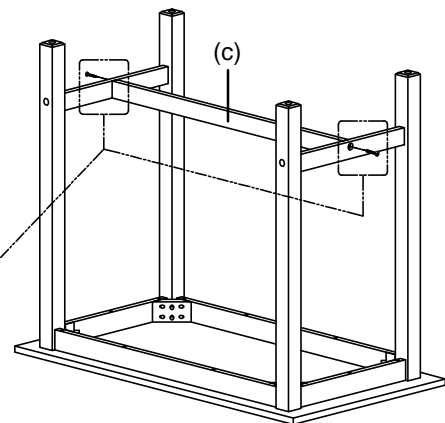
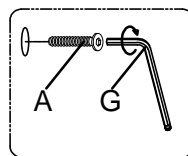
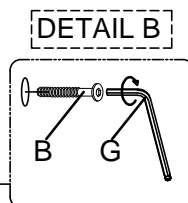
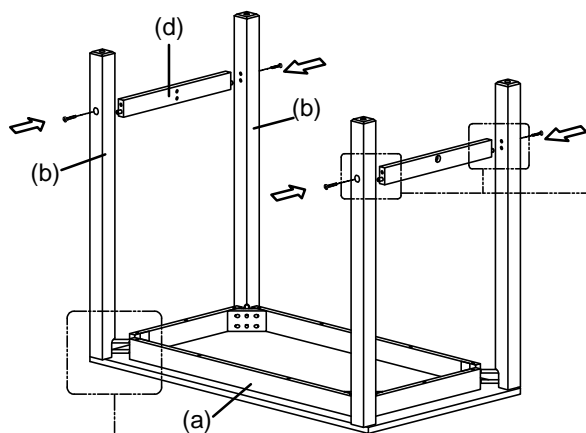
- A 2x  Ø8 x 40mm
- B 4x  Ø8 x 60mm
- C 8x  Ø8 x 13mm
- D 8x  Ø8 x 19mm
- E 8x  Ø8 x 13mm
- F 1x 
- G 1x 
- H 6x  Ø21 x 13mm



ASSEMBLY INSTRUCTIONS

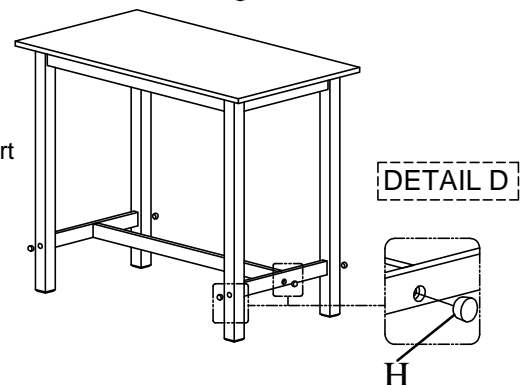
STEP 1:

- Carefully lay Table Top upside down on a smooth flat surface to prevent scratches.
- Affix Legs to corner of the Table Top as show in illustration, insert a Flat Washer (D), Lock Washer (C) and Nut (E) on to the bolts of each Leg. Do not fully tighten. (See Detail A)
- Insert 2 Short Stretchers between the legs, insert a Long Bolt (B) into each of the hole on the leg. (See Detail B)
- Insert 1 Long Stretchers between the Short Stretchers, insert a Short Bolt (A) into each of the hole on the Short Stretcher. (See Detail C)
- fully tighten the Nuts, Bolts by turning clockwise using Key Wrench(F), Allen Key(G) until secure.



STEP 2:

- Insert 6 Wooden button Plug (H), into each of the hole on the leg and Short Stretchers (See Detail D)



NOTES:

The use of power tools for assembly is not recommended. Power tools can damage hardware or split wood.