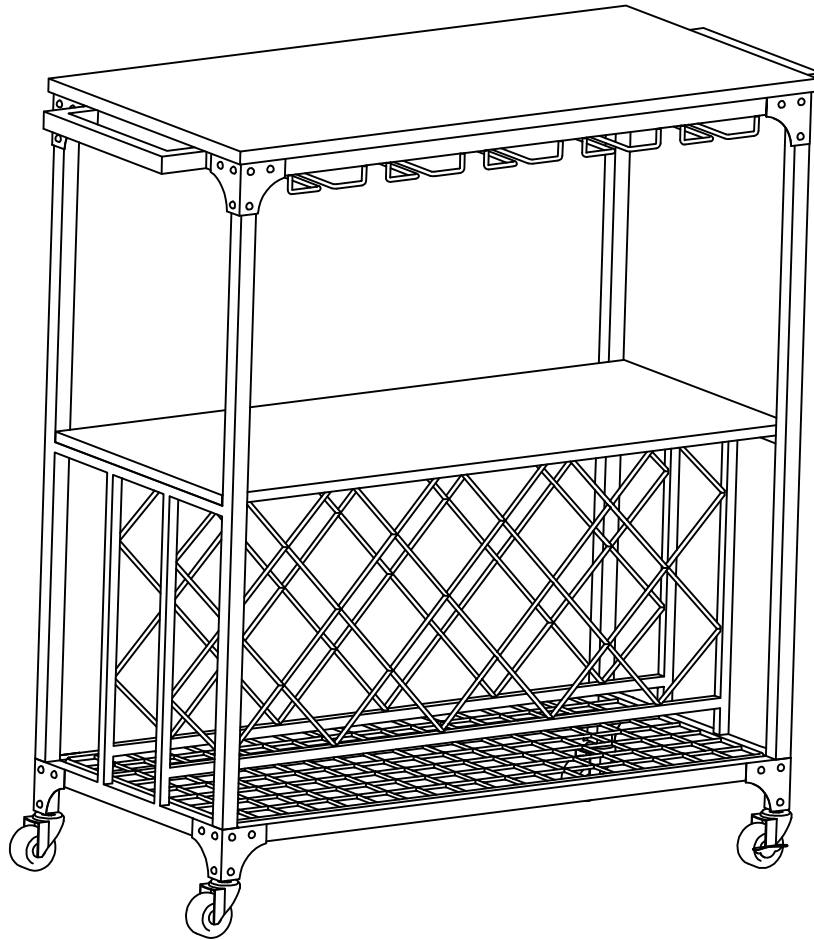


ASSEMBLY INSTRUCTIONS



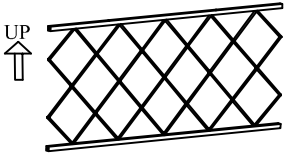

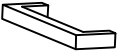




Serving Cart



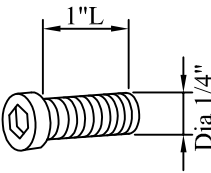
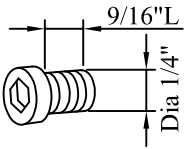
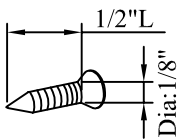
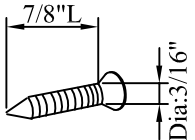
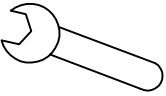

NOTE TO CUSTOMERS:

- For ease and speed of assembly we recommend that before you commence each step of the assembly that you identify all the parts required to complete that step.
- We recommend that where possible you allow sufficient space to assemble the item as close as possible to the place where it will be once assembled.
- For the protection of your furniture we recommend that the product is placed on protected surfaces during assembly to prevent any damage.
- During assembly do not over tighten, as this may damage the product.
- Please ensure you retain all the product packaging until the item completely assembled.
- Please periodically check all fittings and re-tighten as necessary.
- Never allow any liquid to remain on your furniture as absorption can cause the wood to warp or the finish to de-laminate.
- It is recommended that this item should be assembled by two adults.

Part List

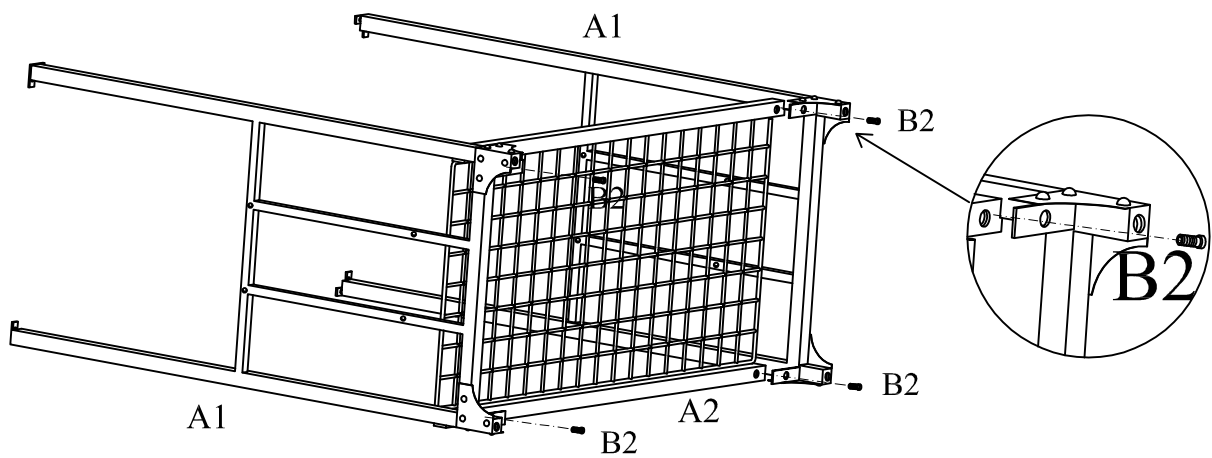
<p>A1</p>  <p>Side Frame</p>	<p>Quantity of 2</p>	<p>A2</p>  <p>Bottom Net</p>	<p>Quantity of 1</p>	<p>A3</p>  <p>Wine Rack</p>	<p>Quantity of 2</p>	<p>A4</p>  <p>Top Frame</p>	<p>Quantity of 1</p>
<p>A5</p>  <p>Handle</p>	<p>Quantity of 2</p>	<p>A6</p>  <p>Top Panel</p>	<p>Quantity of 1</p>	<p>A7</p>  <p>Middle Panel</p>	<p>Quantity of 1</p>	<p>A8</p>  <p>Caster</p>	<p>Quantity of 2</p>
<p>A9</p>  <p>Caster with brake</p>	<p>Quantity of 2</p>						

Hardware List

<p>B1</p>  <p>Bolt</p>	<p>Quantity of 12</p>	<p>B2</p>  <p>Bolt</p>	<p>Quantity of 12</p>	<p>B3</p>  <p>Screw</p>	<p>Quantity of 4</p>	<p>B4</p>  <p>Screw</p>	<p>Quantity of 4</p>
 <p>Open Wrench</p>	 <p>Allen Wrench</p>						

STEP 1


B2  4pcs

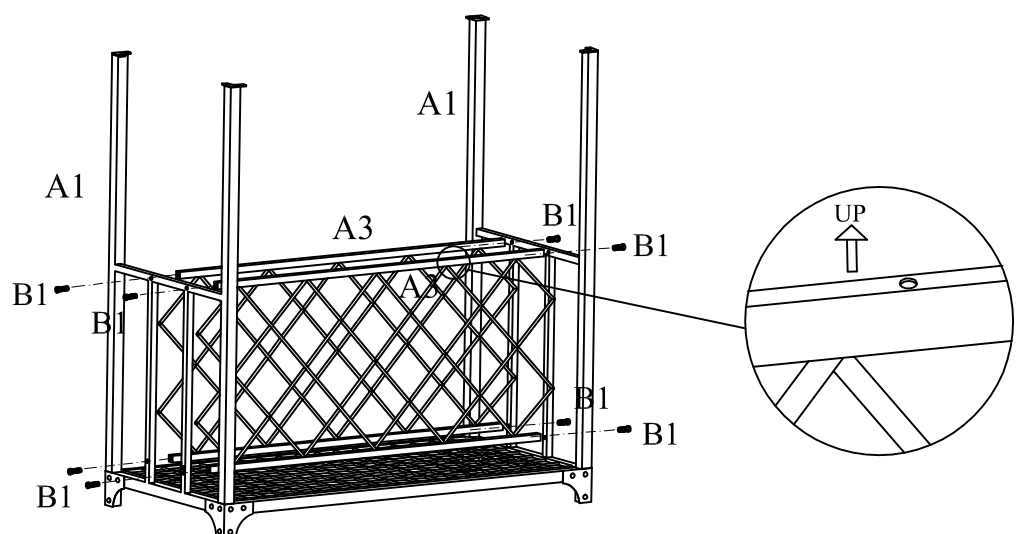


Assemble Side Frames A1 to Bottom Net A2 using Bolts B2 as shown above.

Note: Please do not tighten Bolts B2 until Step 5.

STEP 2

B1  8pcs

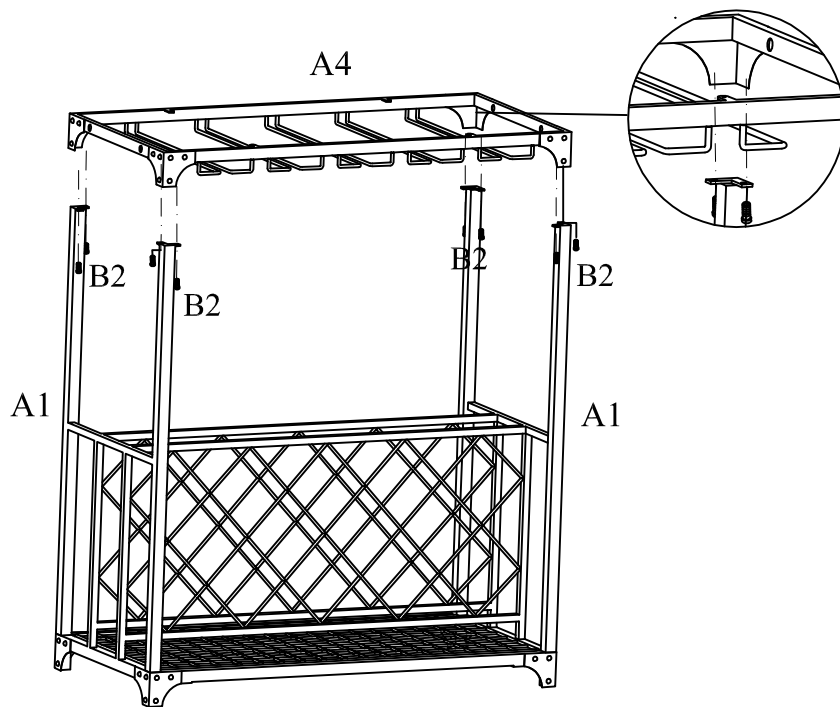


Assemble Wine Racks A3 to Side Frames A1 using Bolts B1.

Note: Please do not tighten Bolts B1 until Step 5.

STEP 3

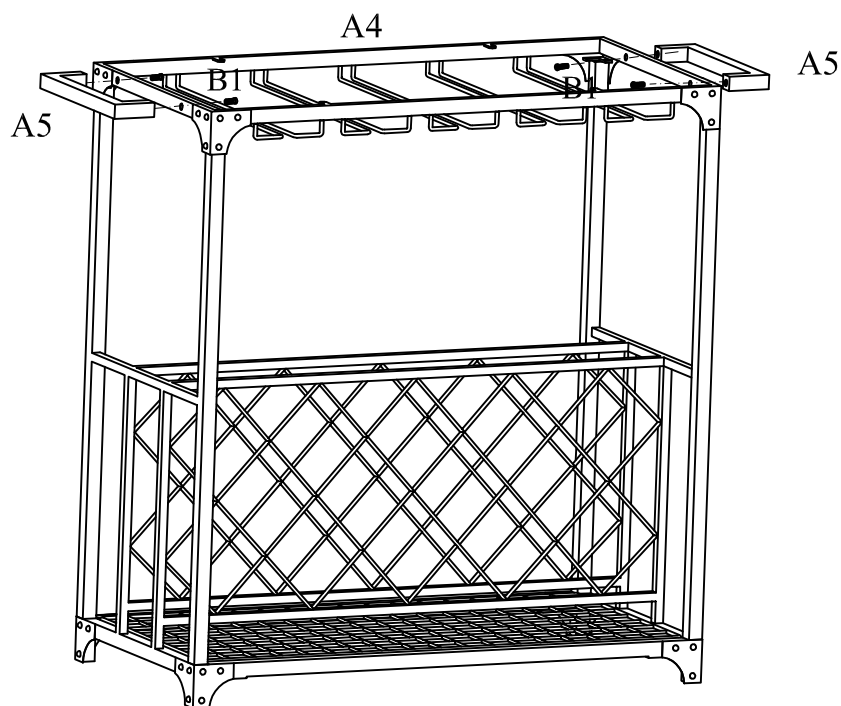
B2  8pcs



Assemble Top Frame A4 to Side Frames A1 using Bolts B2.
Note: Please do not tighten Bolts B2 until Step 5.



STEP 4

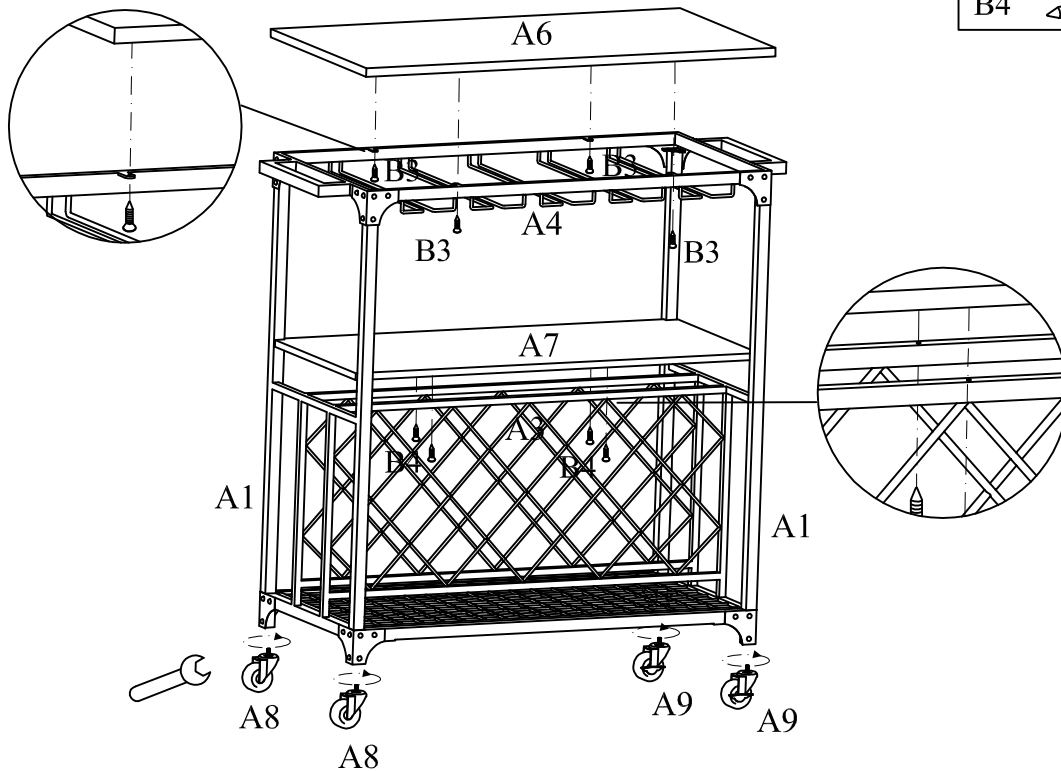
B1  4pcs



Assemble Handles A5 to Top Frame A4 using Bolts B1.

STEP 5

B3		4pcs
B4		4pcs



- 1). Assemble Top Panel A6 to Top Frame A4 using Screws B3.
 - 2). Assemble Middle Panel A7 to Wine Racks A3 using Screws B4.
 - 3). Tighten Casters A8&A9 to the bottom of Side Frames A1.
- Note: Please tighten all bolts at this point.