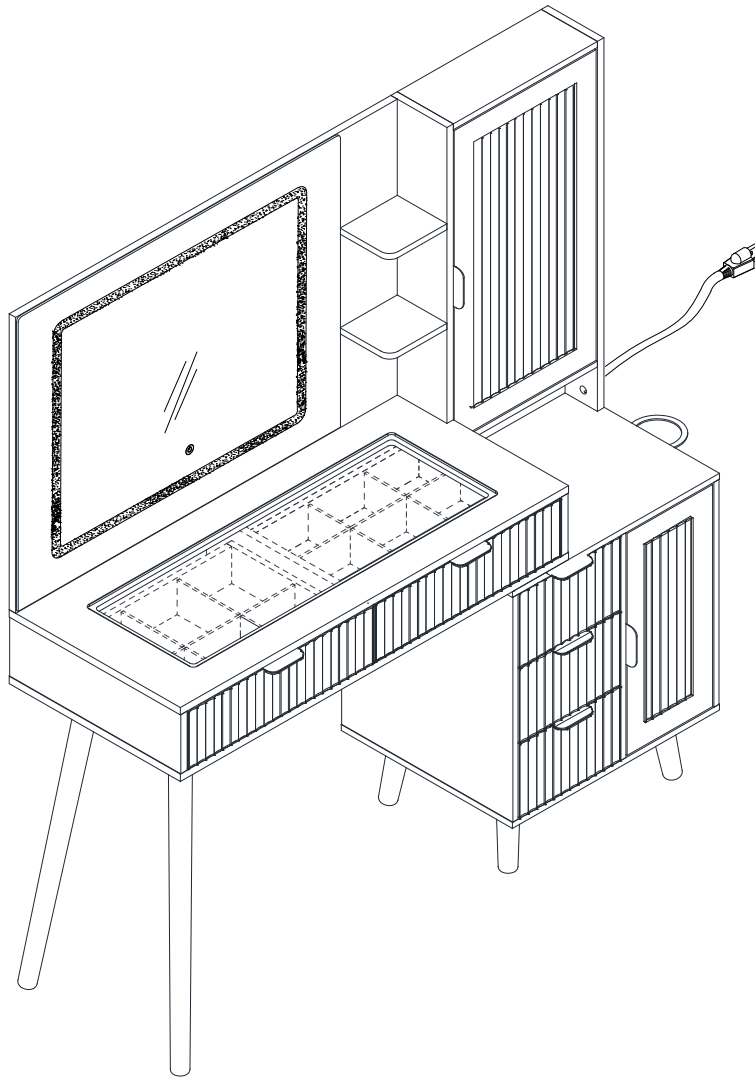


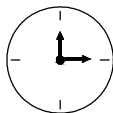
User Manual



Please feel free to contact us if you need help.
We are always online 24h a day.

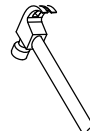
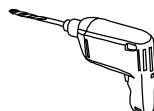
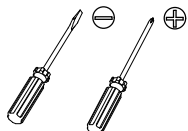


2PERS



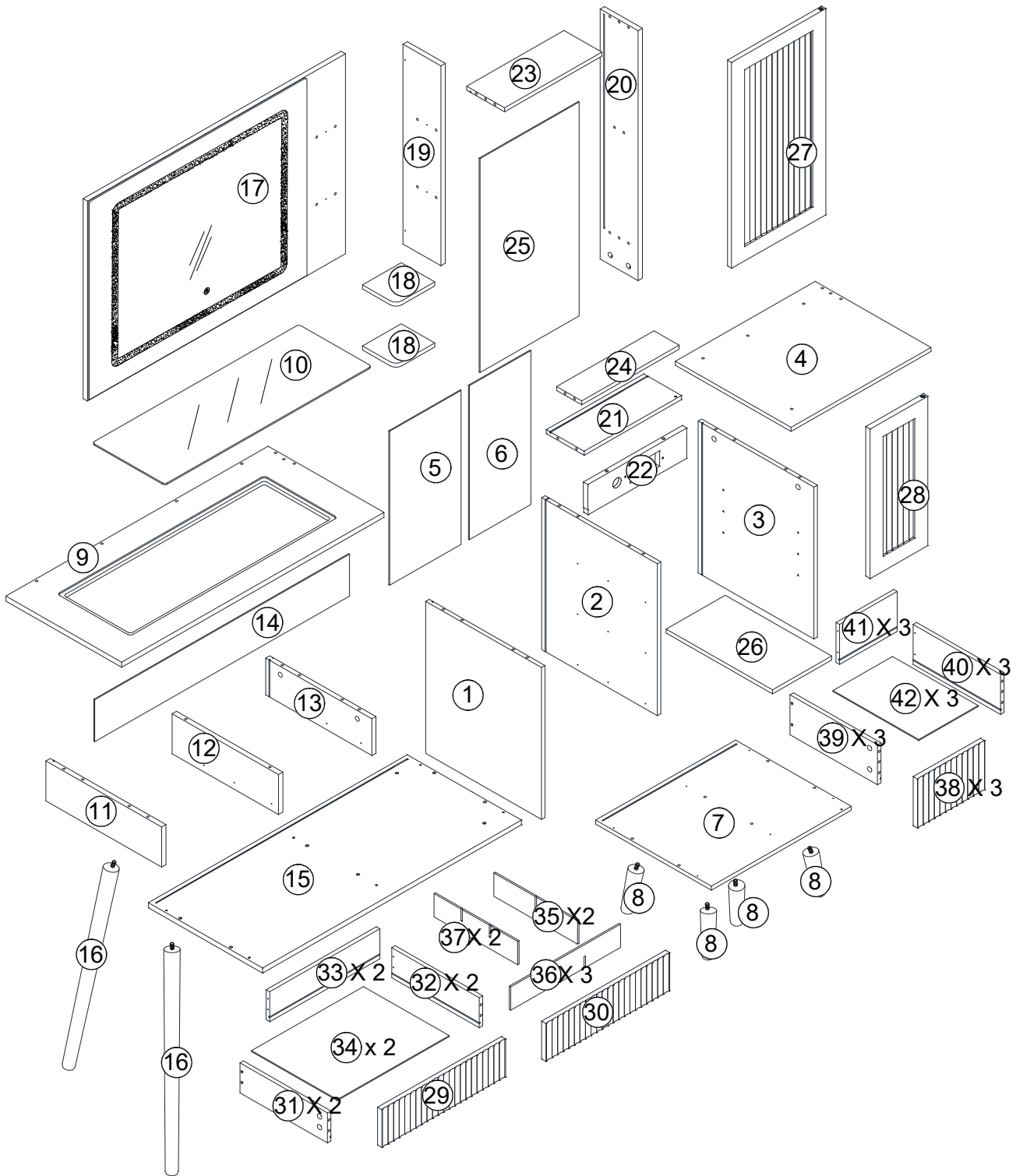
60 MIN

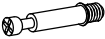












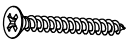


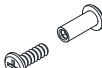

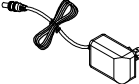











Tool Required Not Provided



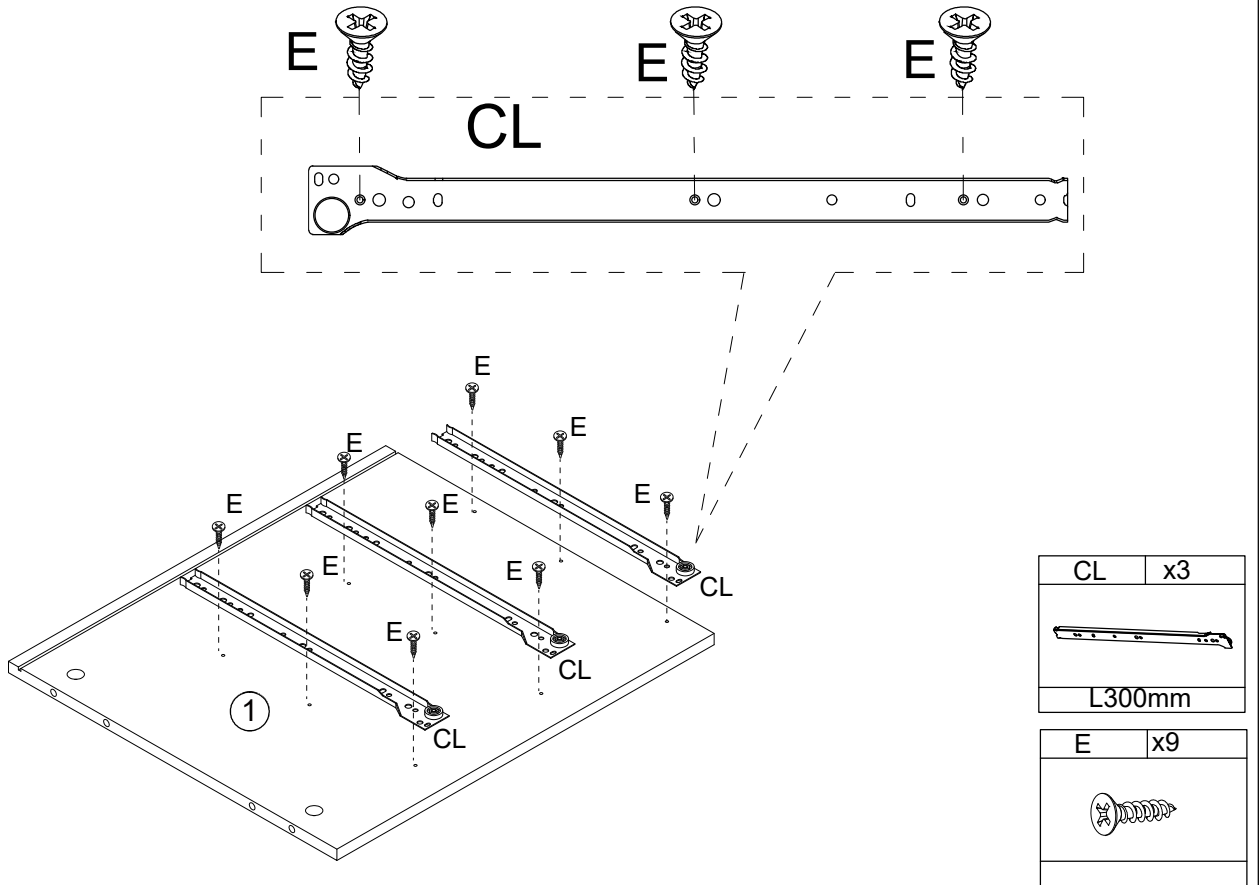
Assembling Instruction

All accessories and installation tools are included

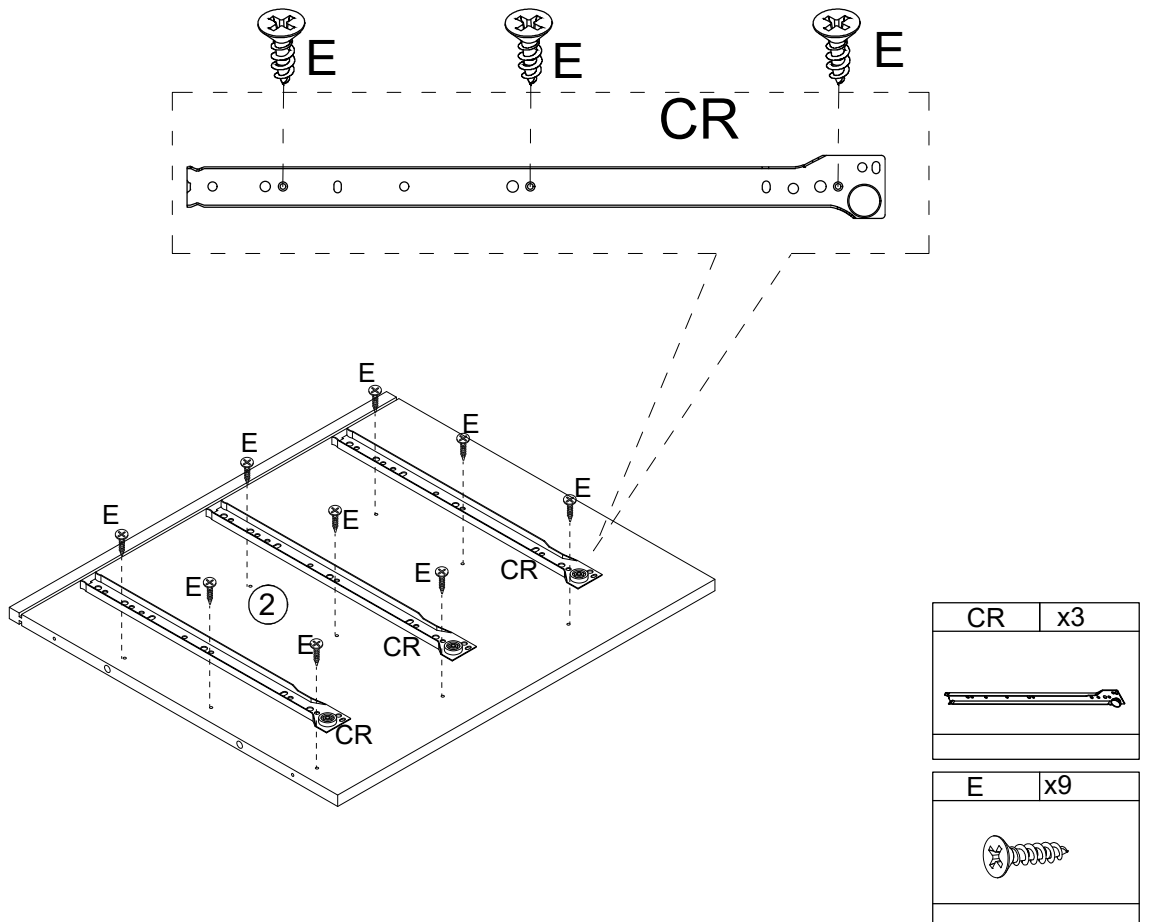


A	x49(+2)	B	x49(+2)	C	x40(+2)	D	x39(+2)	E	x80(+2)	F	x1
											
Ø6x35mm		Ø15x10mm		Ø6x30mm		Ø4x35mm		Ø3.5x12mm			
G	x4	H	x6	I	x32+2	J	x2	K	x4	L	x7
						J-1 J-2  					
				Ø4x12mm							
M	x2	N	x4	O	x2	P	x2	Q	x2	R	x1
											
S	x16+1	T	x1	U	x8	V	x2	X	x2	Y	x2
 											
								Ø4x14mm			
CL	x5	CR	x5	DL	x5	DR	x5				
											
L300mm		L300mm		L300mm		L300mm					

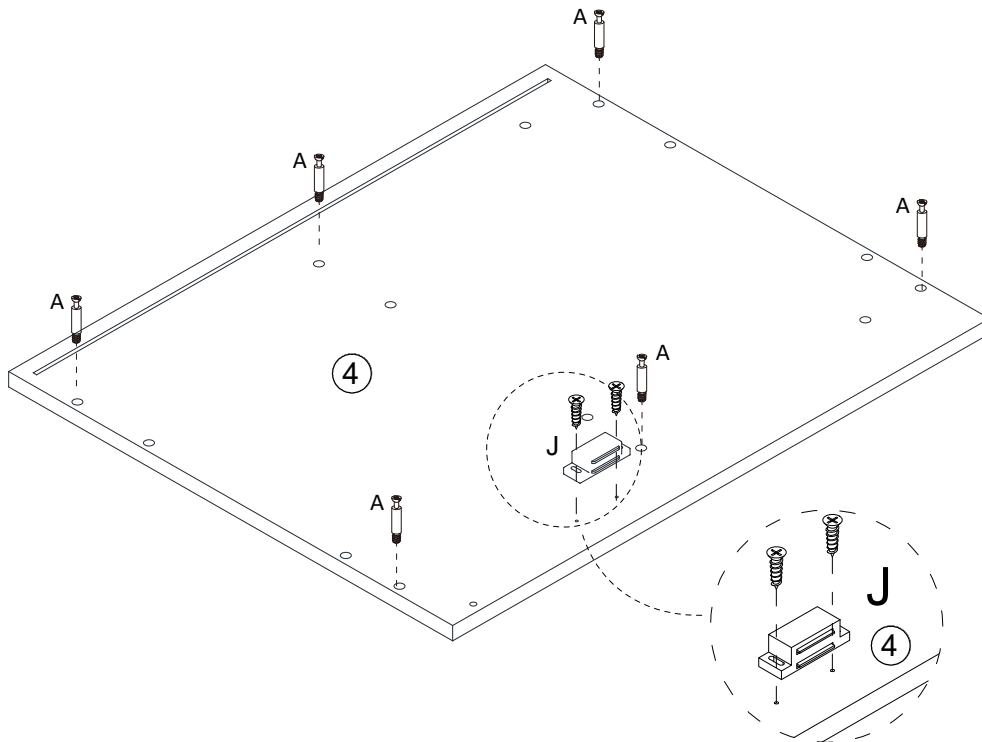
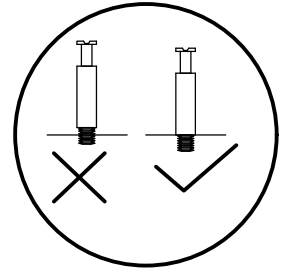
1 Step1: Secure the part CL to part #1 with the screw E and repeat this operation 3 times.



2 Step2:Secure the part CR to part #2 with the screw E and repeat this operation 3 times.

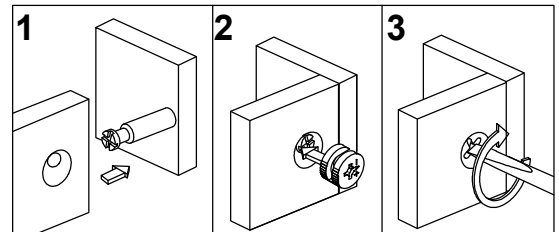
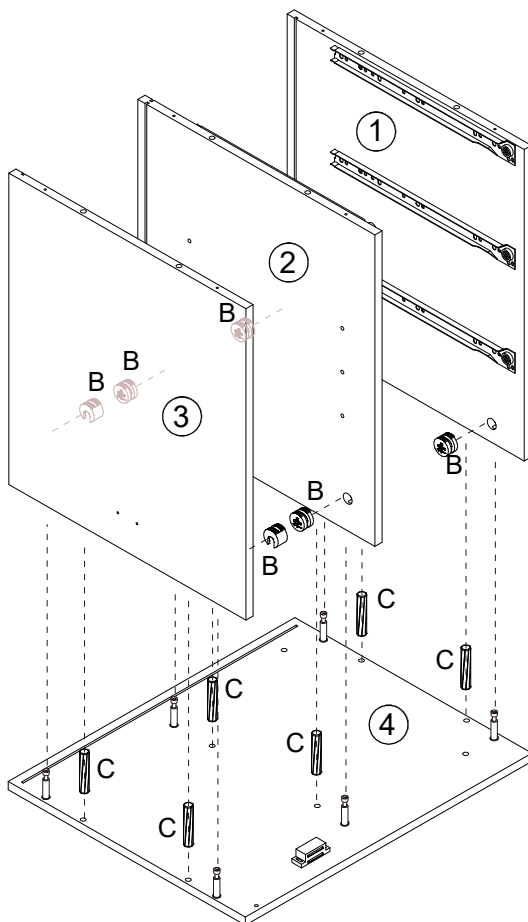


3 Step3: First fix J-1 to part# 4 by means of screw J-2, and subsequently screw screw A into part #4, as shown in the figure on the right.



J	x1
J-1	J-2
A x6	

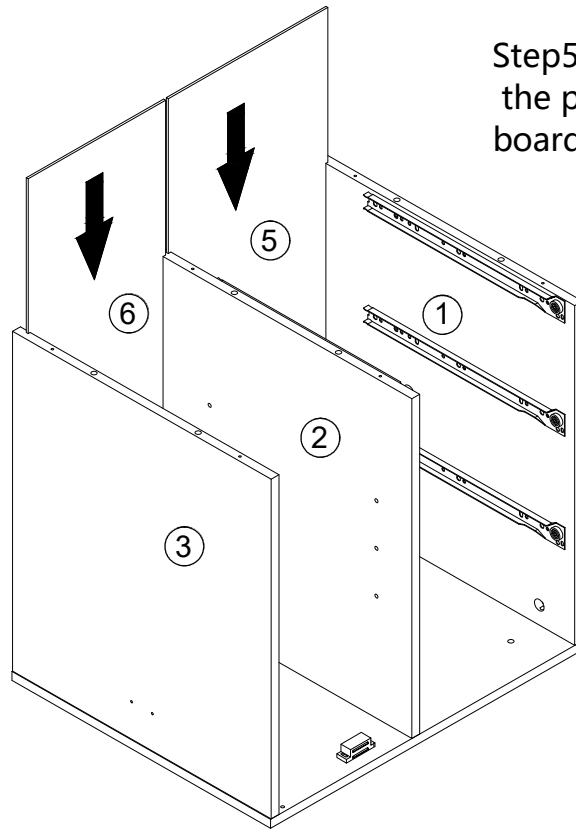
4



Step4: Insert 2 cork C and 2 pre-installed screws A into the side holes of board 1 at the same time, then insert 2 bolts B into the holes of board #1 in the correct direction and tighten them, thus securing board #1 and board #4. And repeat this operation to connect board #2 (#3) and #4. (Ensure that the three boards are oriented correctly during installation.)

C	x6
B	x6

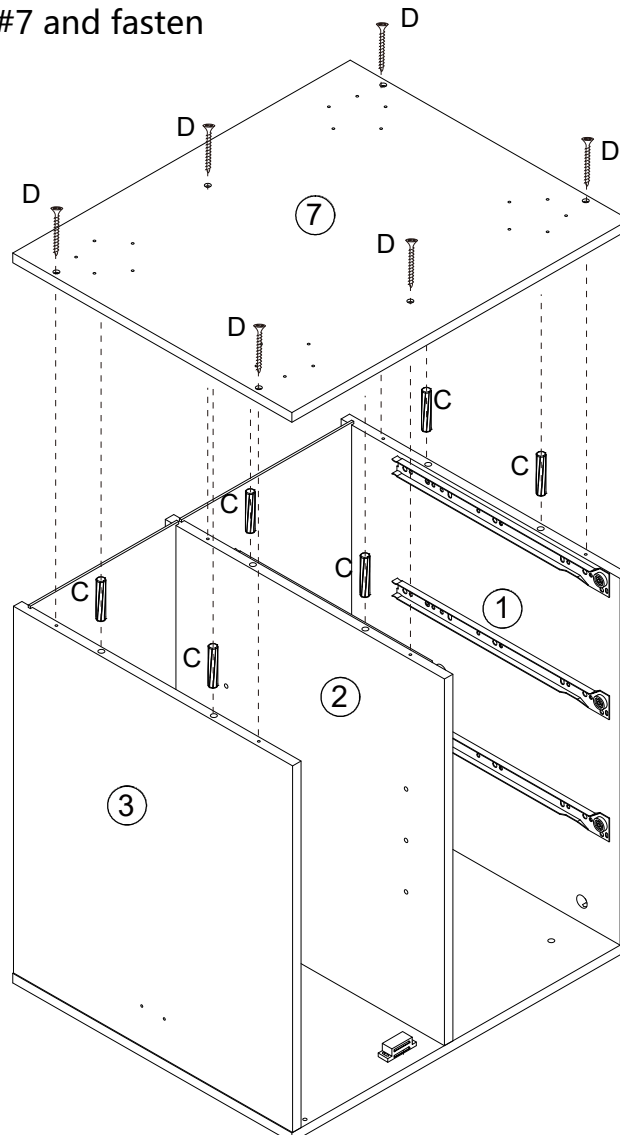
5

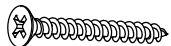



Step5: Insert boards #5,#6 along the prefabricated tracks of boards #1,#2,#3.

6

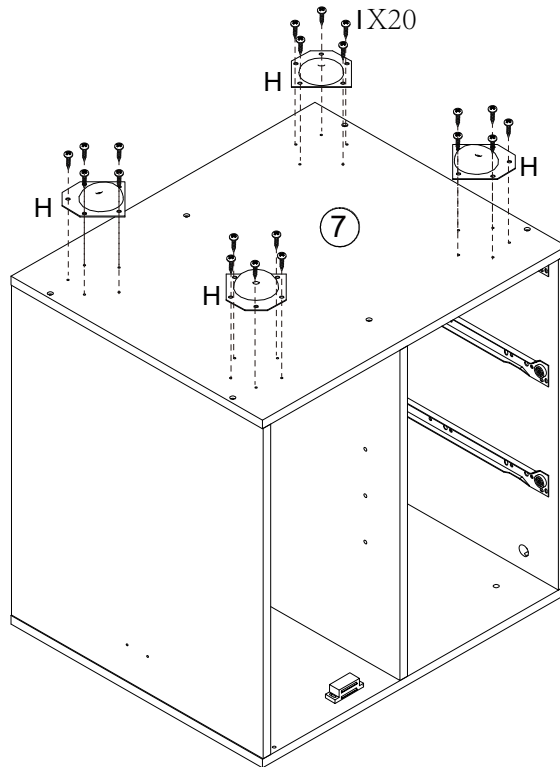
Step6: First, screw part C into the appropriate position on boards #1, #2, and #3, then connect board #7 and fasten them with screw D.



D	x6
	
C	x6
	

7

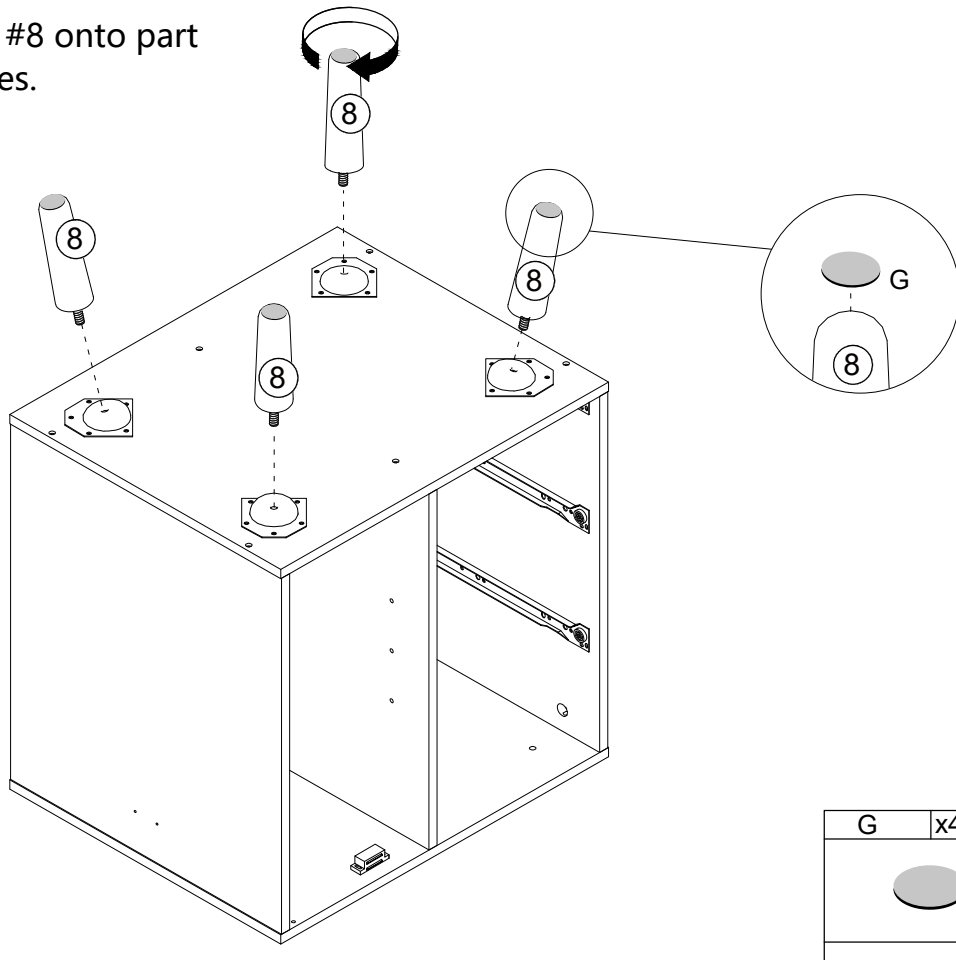
Step7: Use 5 screws I to attach part H to one corner of board #7 and repeat 3 more times.



H	x4
I	x20

8

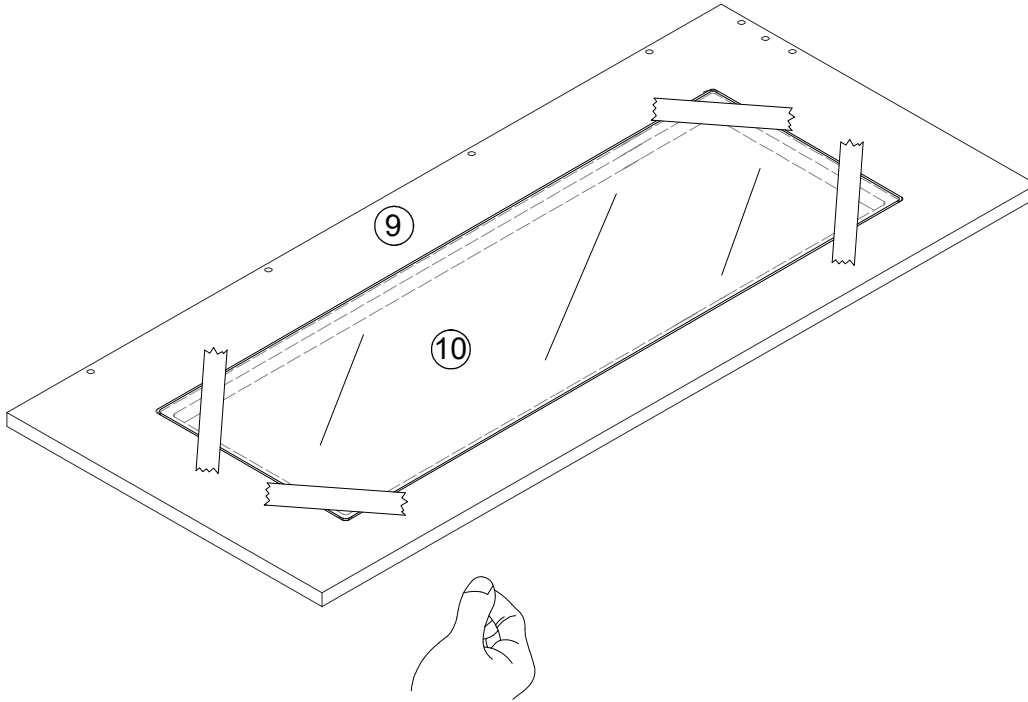
Step8: Screw part #8 onto part H. Repeat four times.



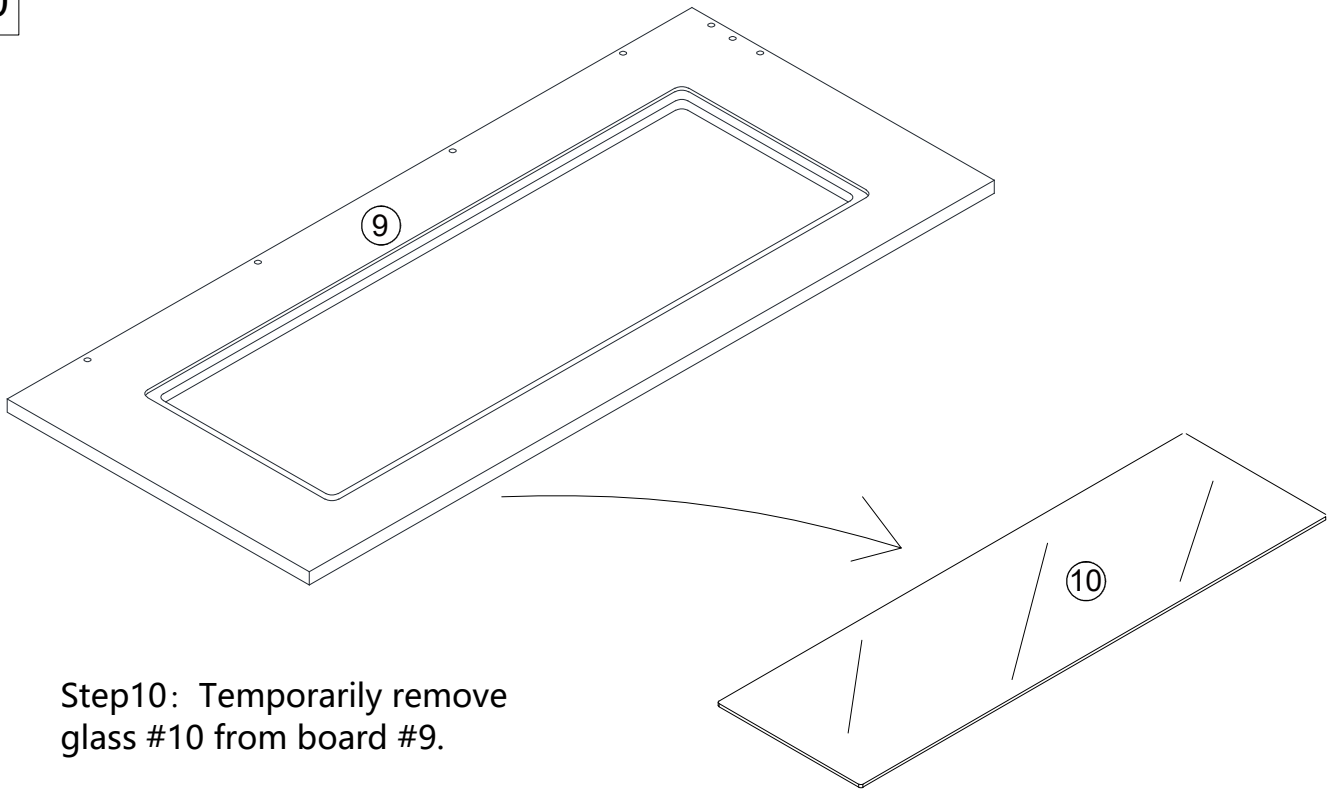
G	x4

9

Step9: Remove the tape around part #10.

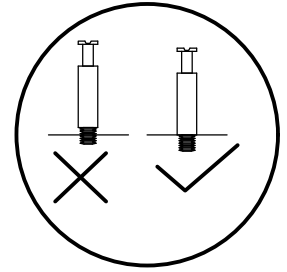
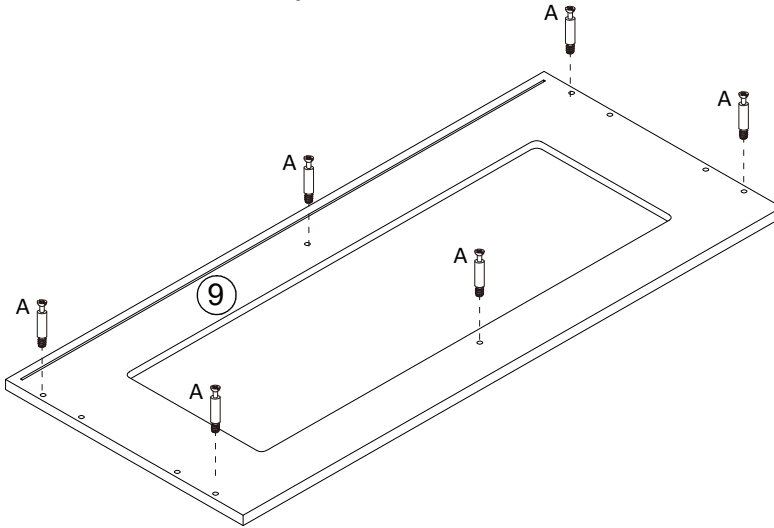



10



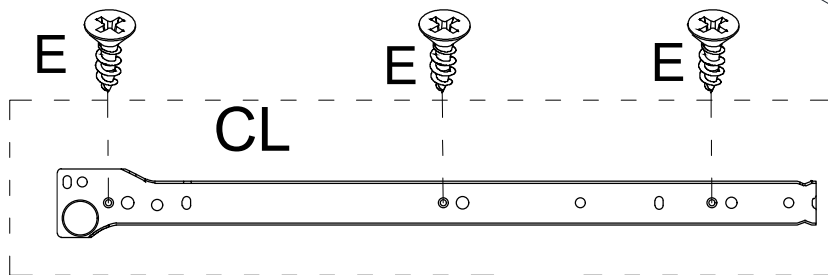
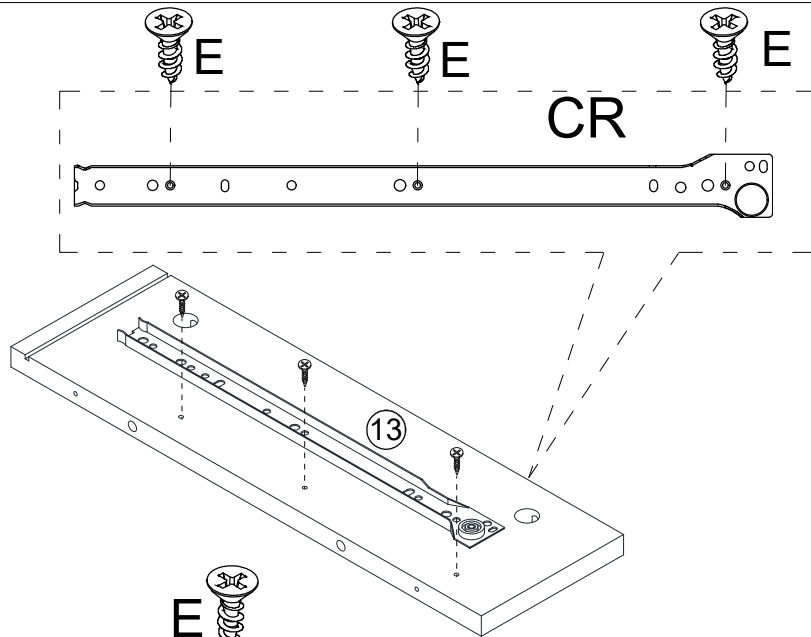
Step10: Temporarily remove glass #10 from board #9.

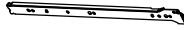


11 Step11: Screw 6 screws A into board 9 as shown and make sure they are screwed in completely.



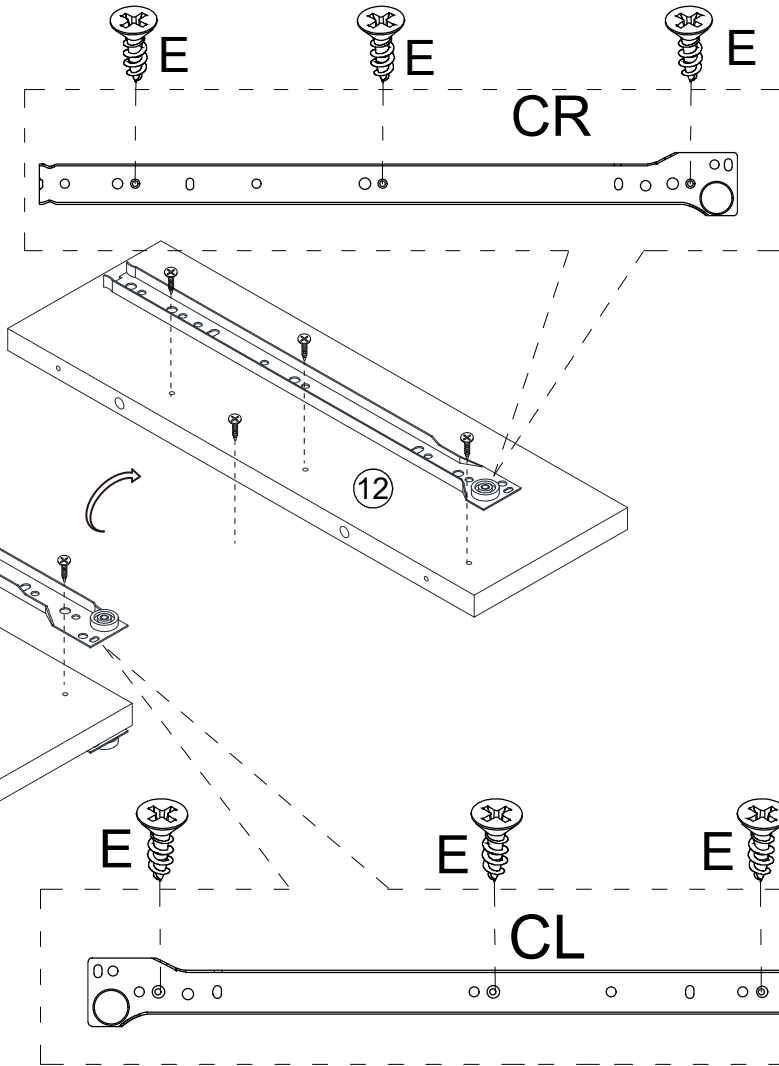
A	x6
	

12 Step12: Aim at the correct hole as shown and attach part CR to board #13 using 3 screws E. Repeat similar operations to fix part CL to board #11.



CL	x1
	
L300mm	
CR	x1
	
E	x6
	

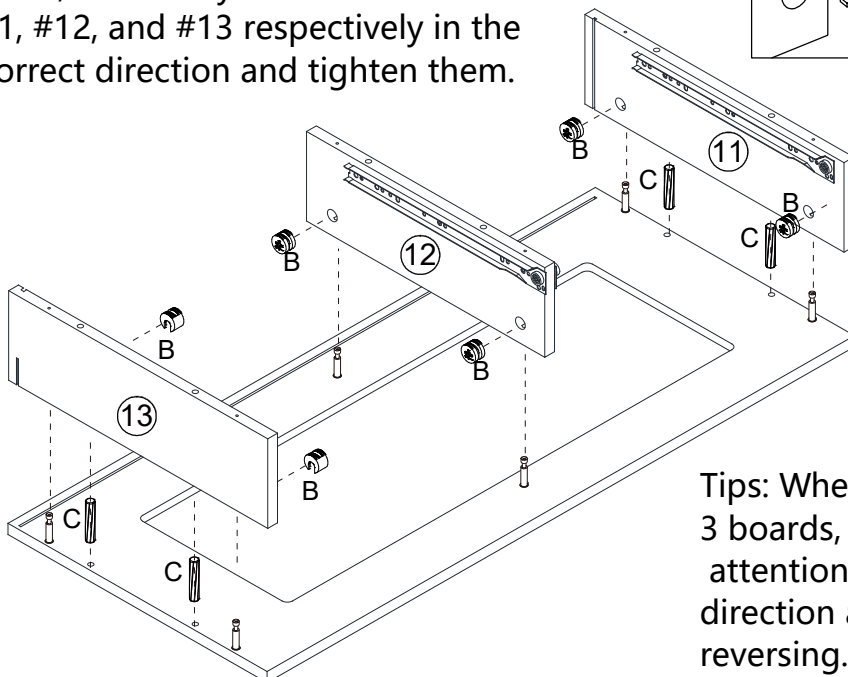
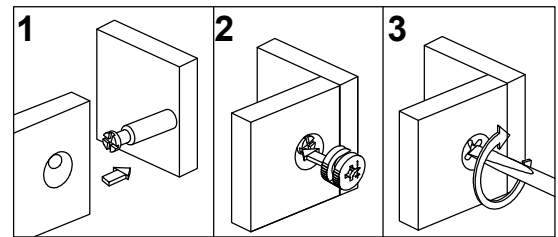
13 Step13: Repeat the similar operation to secure part CL to board #12, then turn to the back of board #12 to secure part CR.



CL	x1
L300mm	
CR	x1

E	x6

14 Step14: Insert the 4 corks C into the holes of board #9 according to the figure, then align the corks C and the pre-installed screws A with board #11, #12, and #13 and insert them, and finally insert 2 bolts B into board #11, #12, and #13 respectively in the correct direction and tighten them.

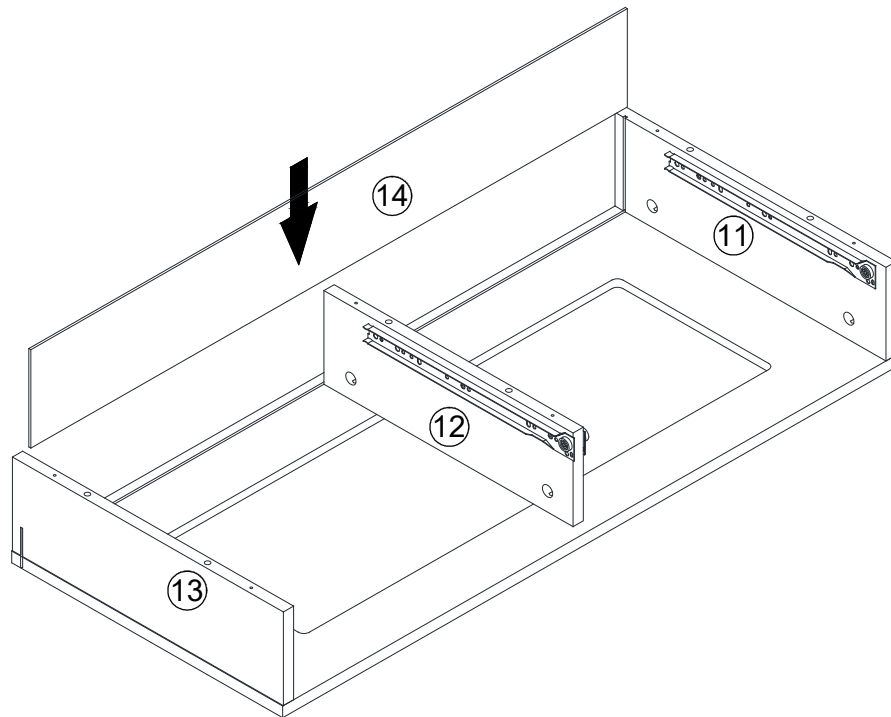


Tips: When placing 3 boards, please pay attention to the direction and avoid reversing.

B	x6
C	x4

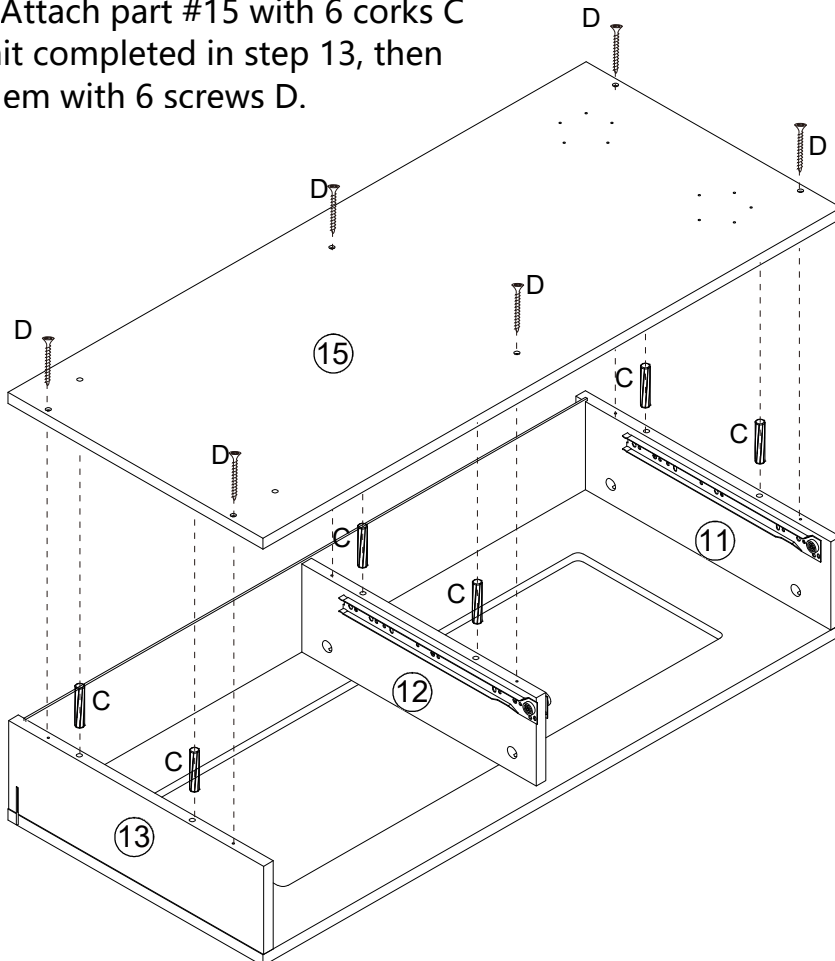
15



Step15: Insert part #14 onto part #9.



16

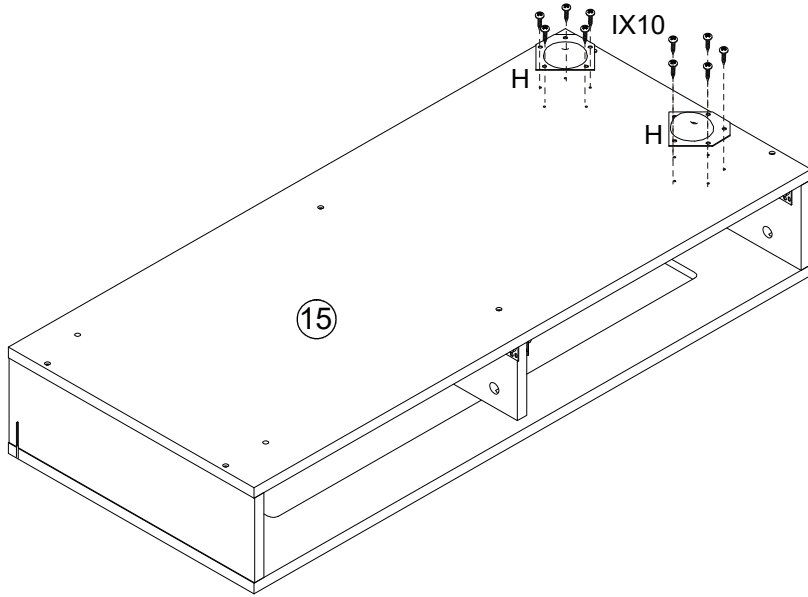
Step16: Attach part #15 with 6 corks C to the unit completed in step 13, then secure them with 6 screws D.



C	x6
	
D	x6
	

17

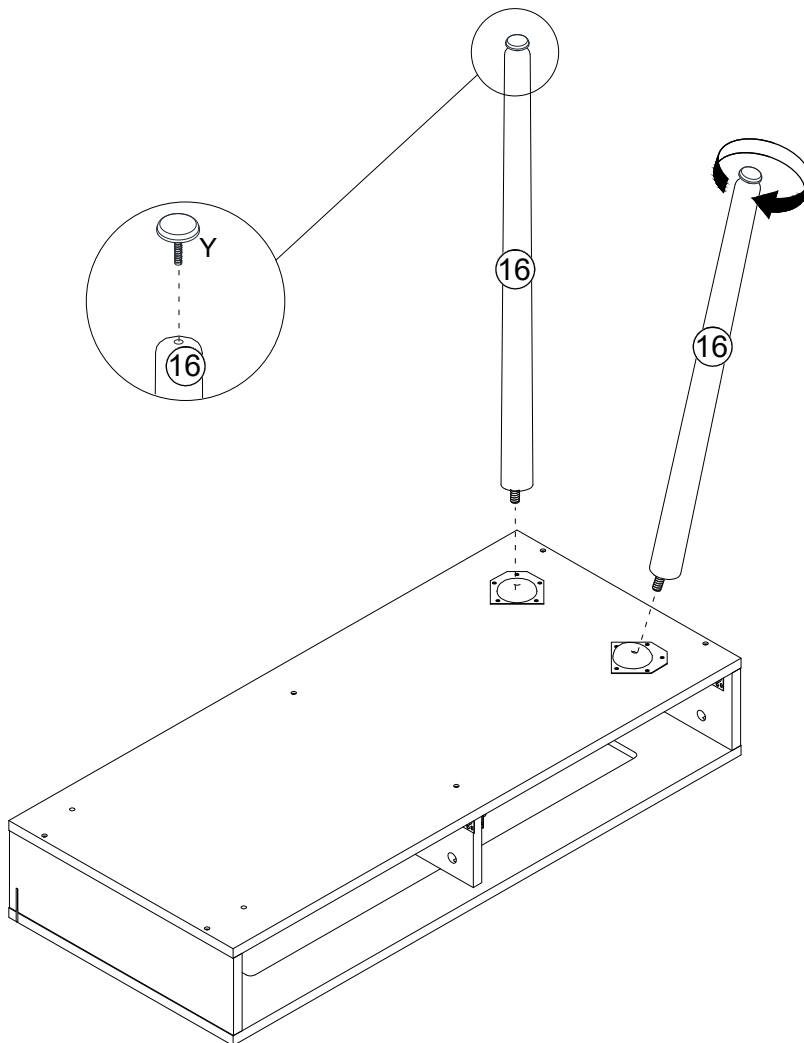
Step17: Fasten part H to part #15 with screw I (Orientation needs to be noted).



H	x2
I	x10

18

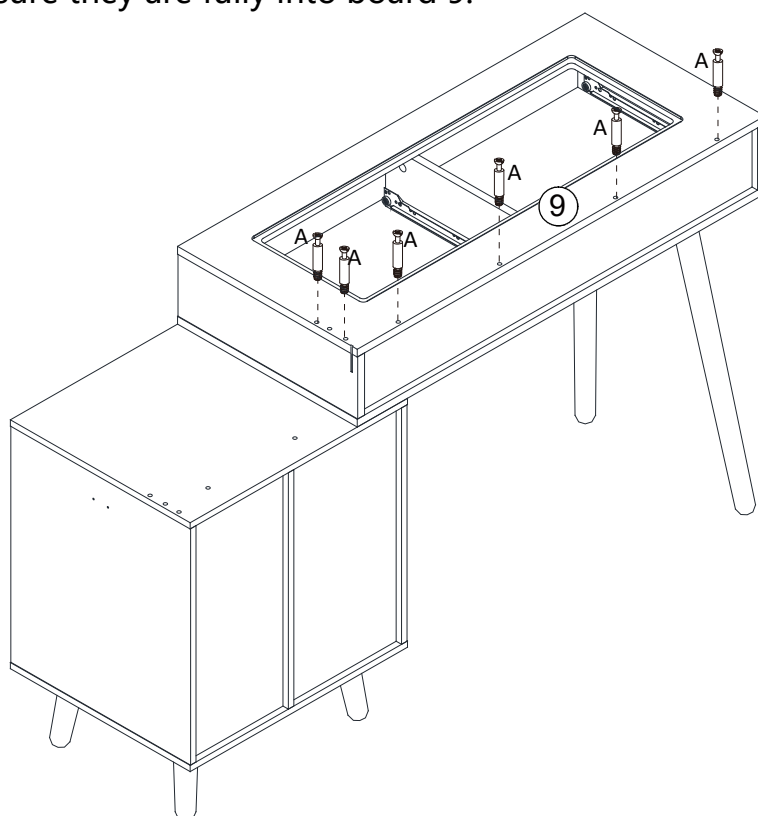
Step18: Screw part #16 onto part H.

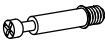


Y	x2

19

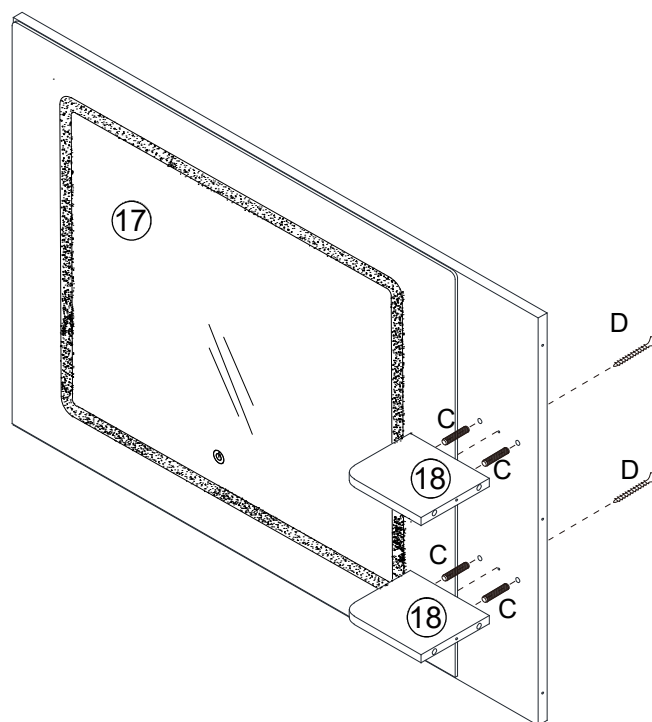
Step19: The unit completed in step 18 rests on the unit completed in step 8. And screw 6 screws A into position as shown and make sure they are fully into board 9.





A	x6
	

20

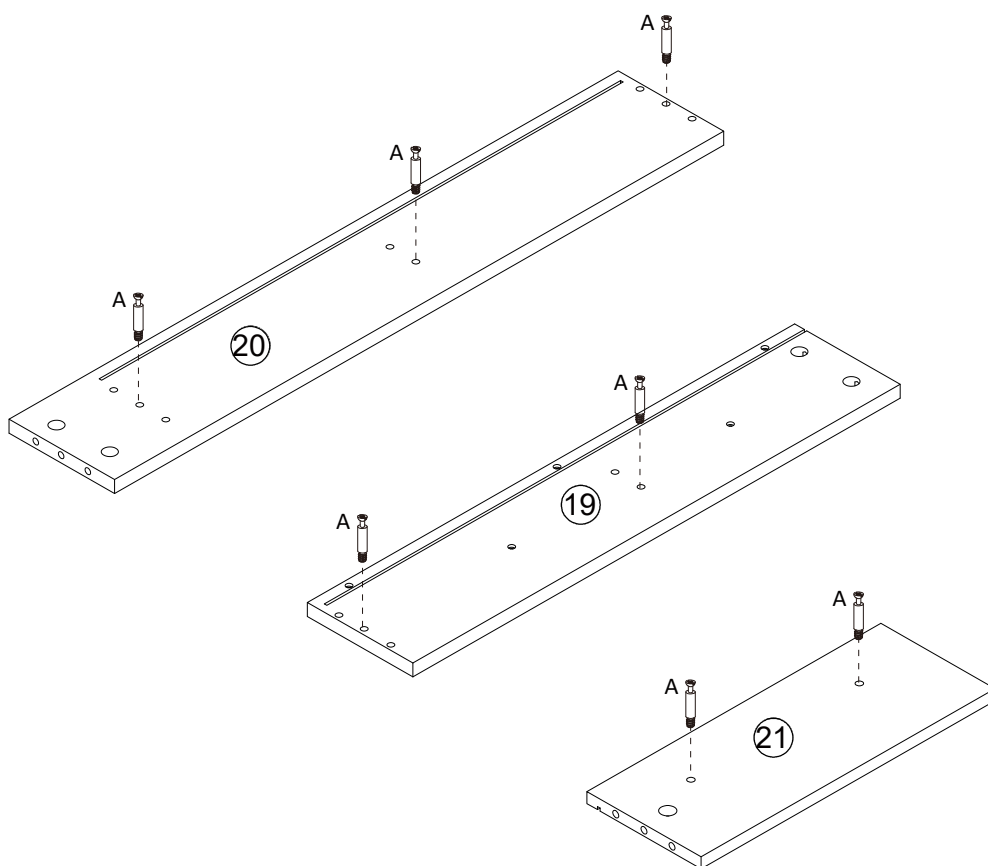
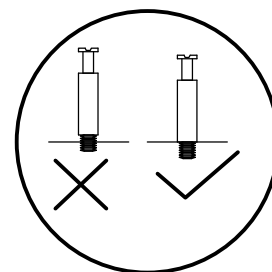
Step20: Connect board #18 with cork C from the front of board #17, then secure them with screw D from the back of board #17.



D	x2
	
C	x4
	

21

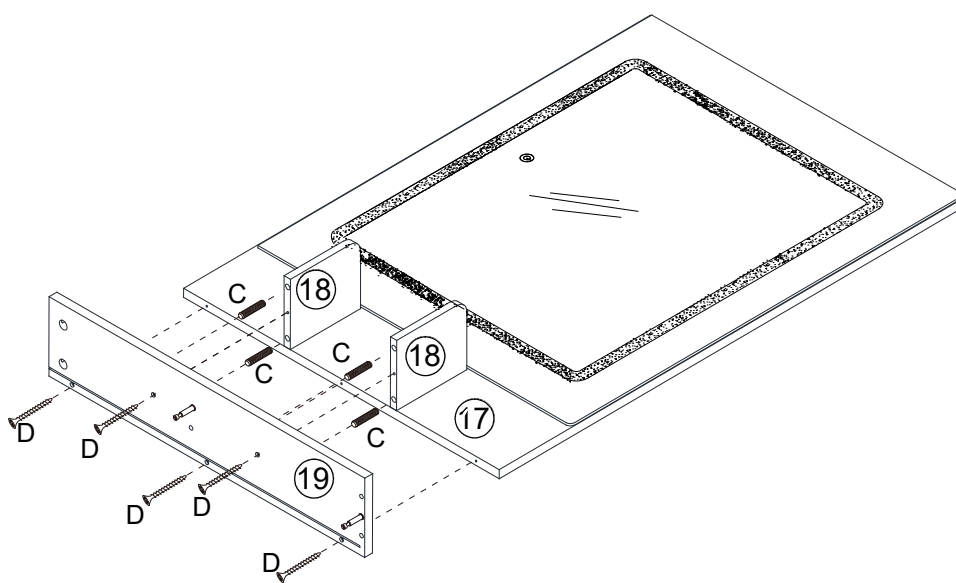
Step21: Screw A onto boards #20, #19, #21 respectively make sure they're fully embedded in the board.



A	x7

22

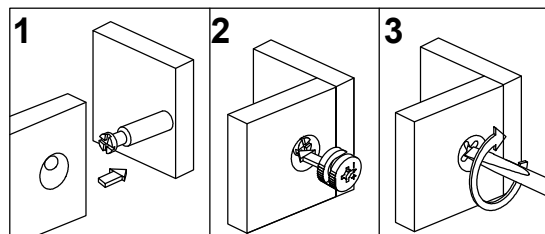
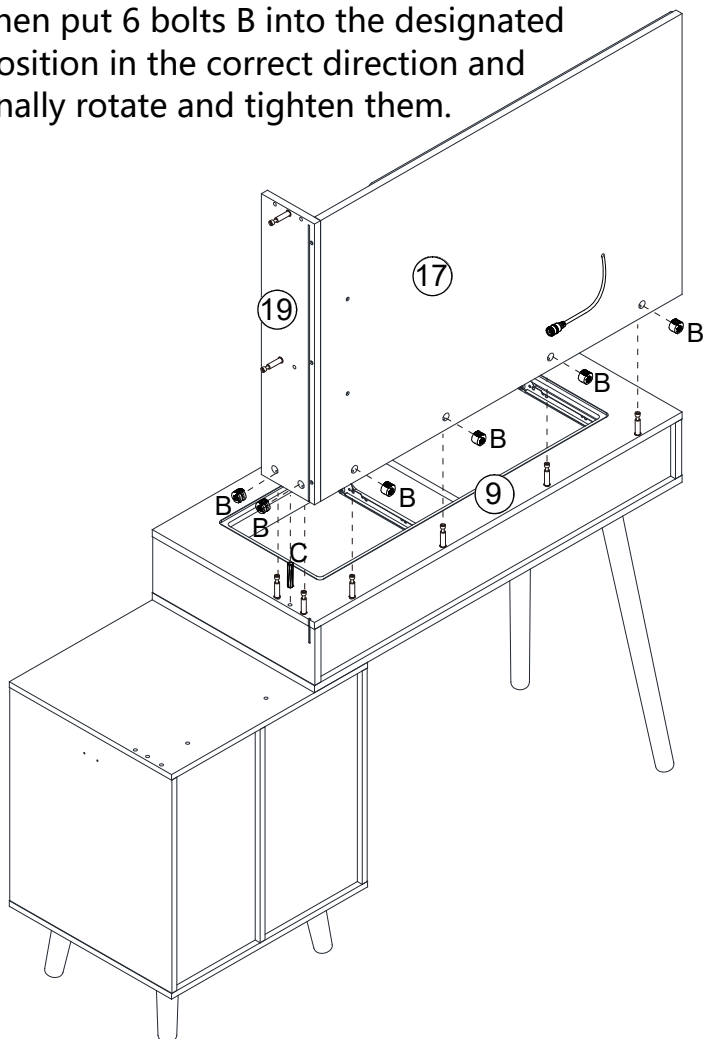
Step22: Connect boards #18 and #19 with cork C and secure the entire unit with 5 screws D.





D	x5

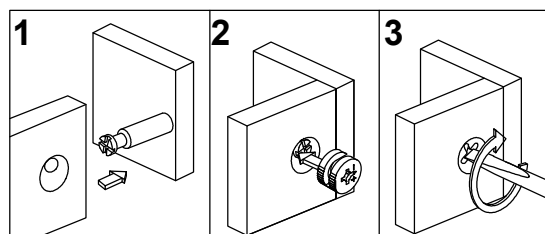
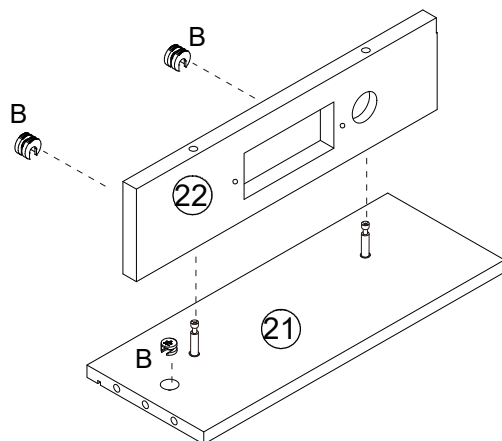
C	x4


23 Step23: First place the finished unit from step 22 on top of the finished unit from step 19. Then put 6 bolts B into the designated position in the correct direction and finally rotate and tighten them.



C	x1
	
B	x6
	

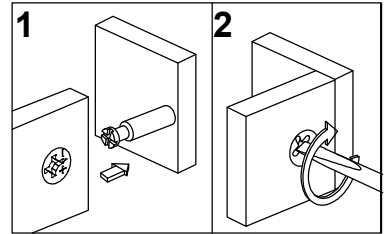
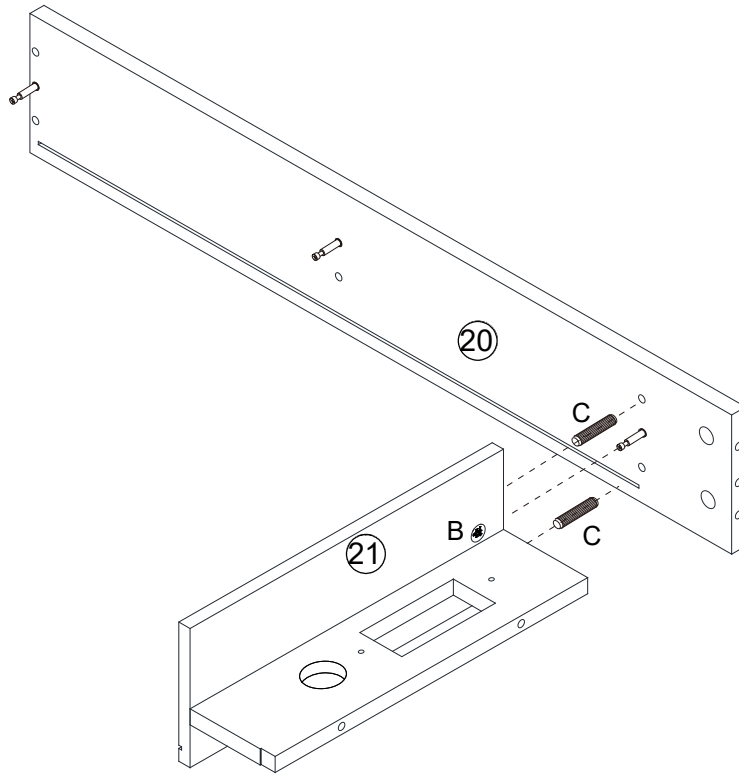
24 Step24: Insert the screw A mounted on board #21 into the side hole of board #22, then insert the bolts B into board #22 in the correct direction and rotate to tighten them.



B	x3
	

25

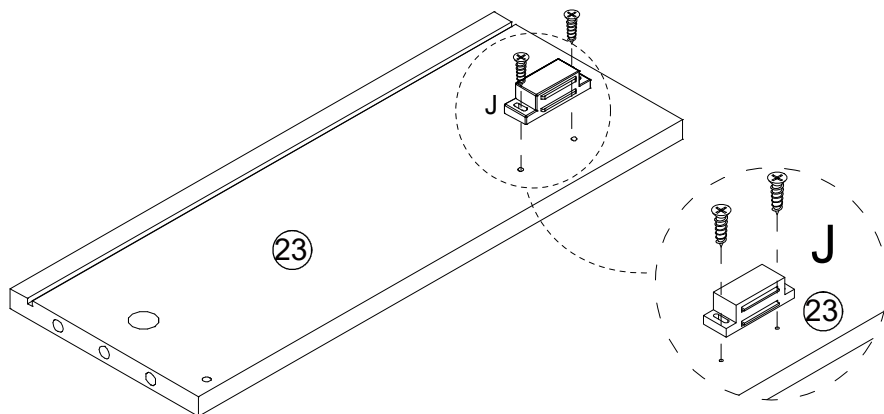
Step25: Connect board #20 and #21 with two corks C, then insert the bolts B into board #21 in the correct direction and rotate to tighten them.



C	x2

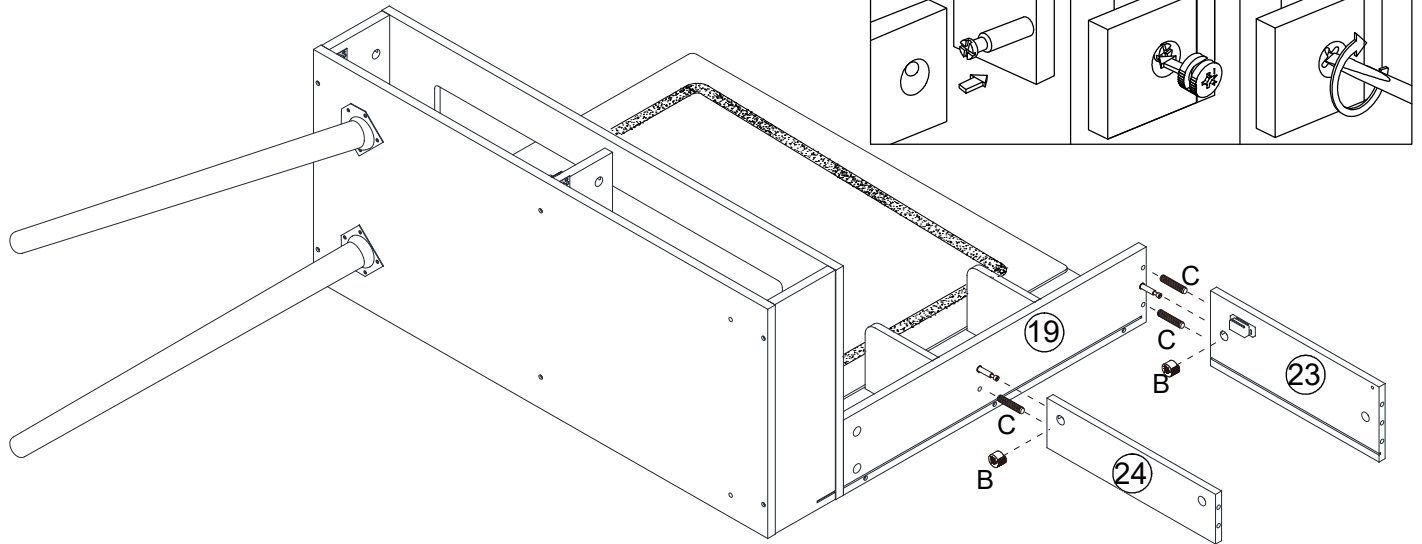
26

Step26: Attach the part J-1 to Board #23 with screw J-2.

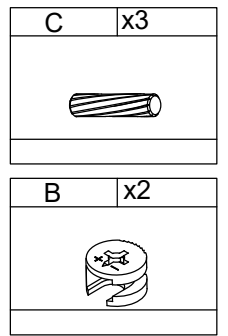


J	x1
J-1	J-2

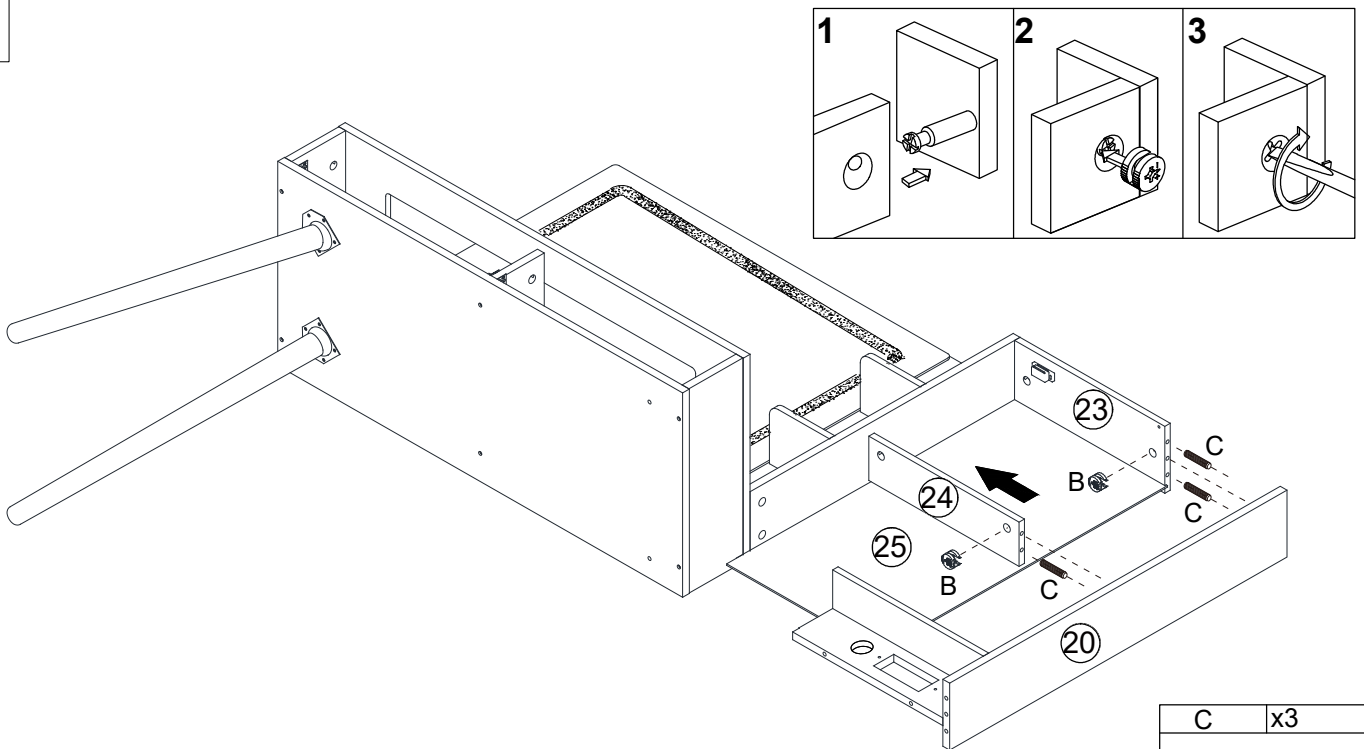
27



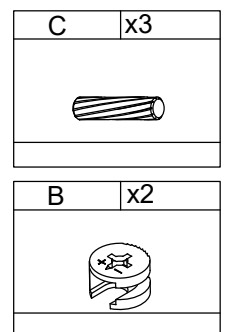
Step27: Connect board #23 and board #24 to board #19 with three corks C, then insert the bolts B into board #22 and #23 in the correct direction and rotate to tighten them.



28

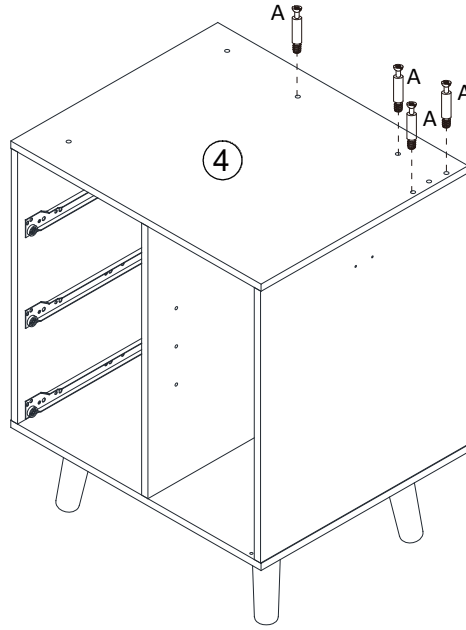
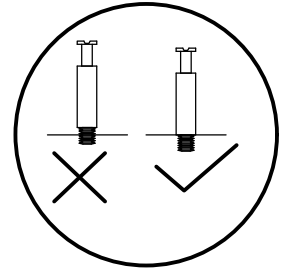


Step28: Use three corks C to connect #24, #23 to #20 , then insert the bolts B into board #24 and #23 in the correct direction and rotate to tighten them.



29

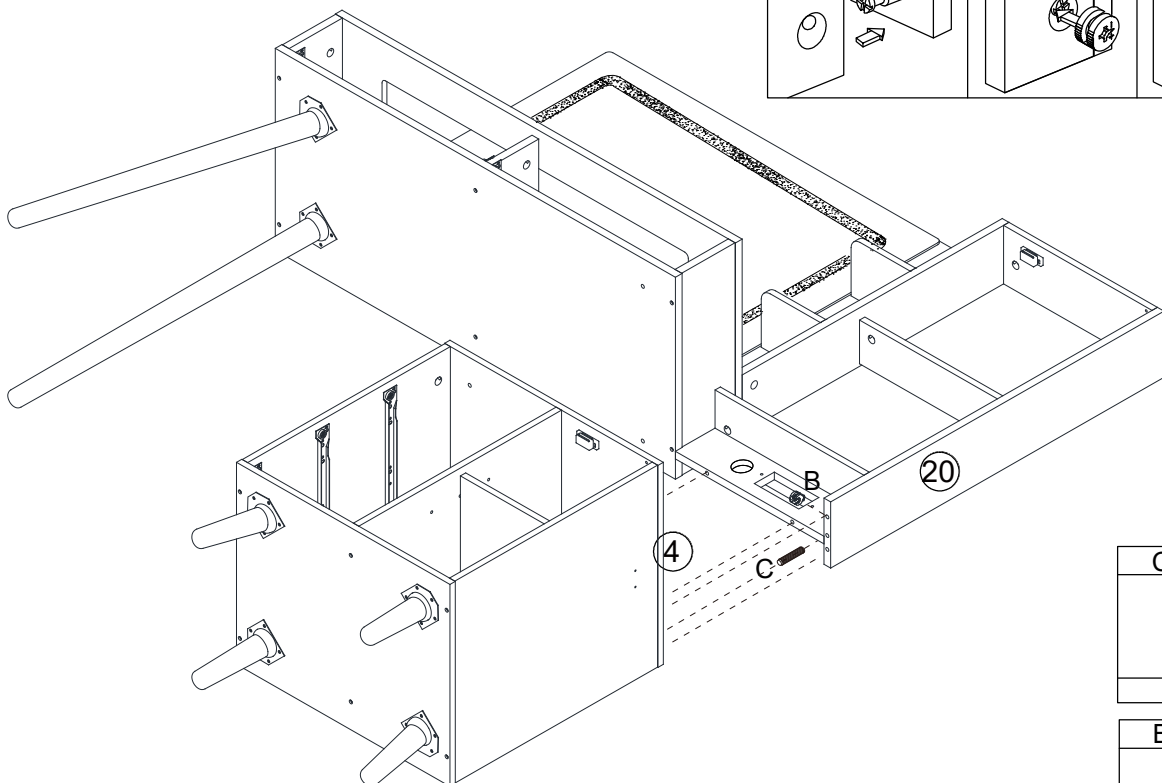
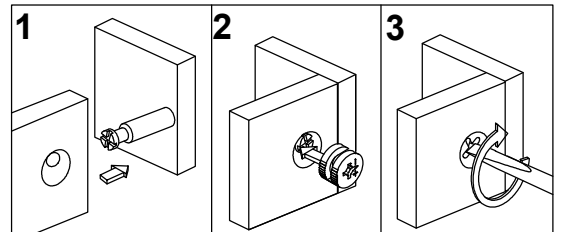
Step29: Screw 4 screws A into board #4 as directed and make sure they are fully screwed in.



A	x4

30

Step30: Use one cork C to connect #4 to #20, then insert the bolts B into board #20 in the correct direction and rotate to tighten them.

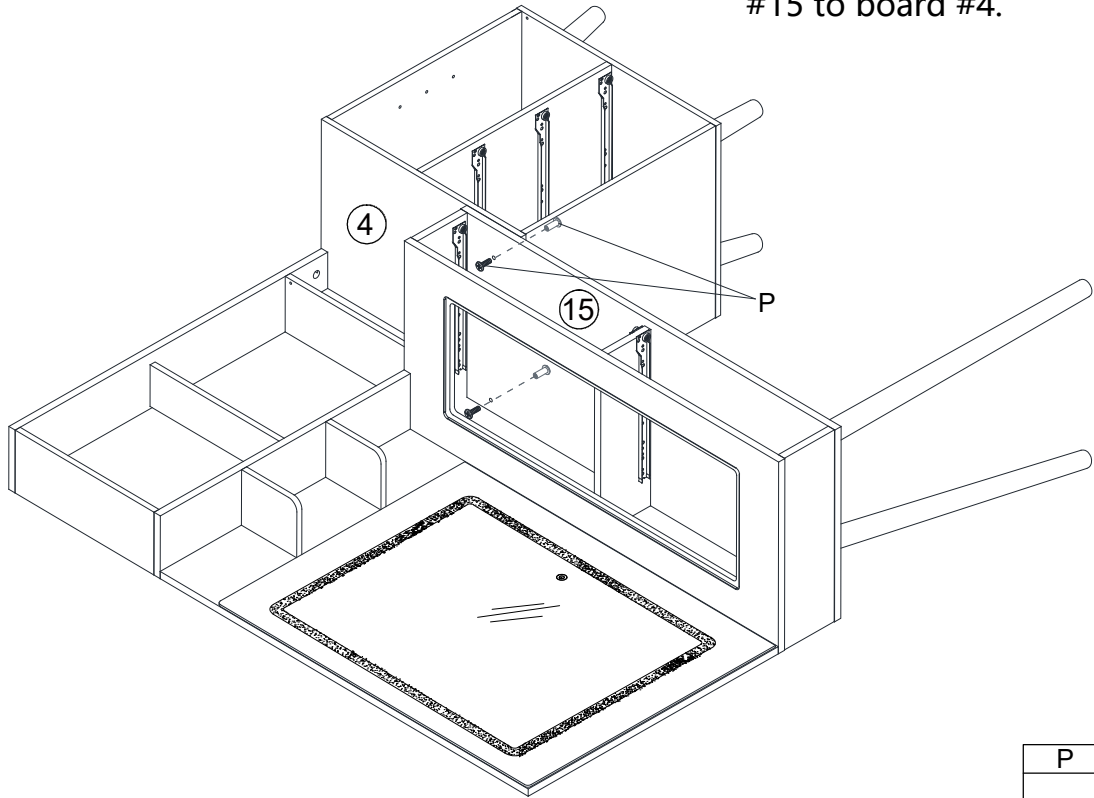


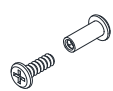
C	x1

B	x1

31

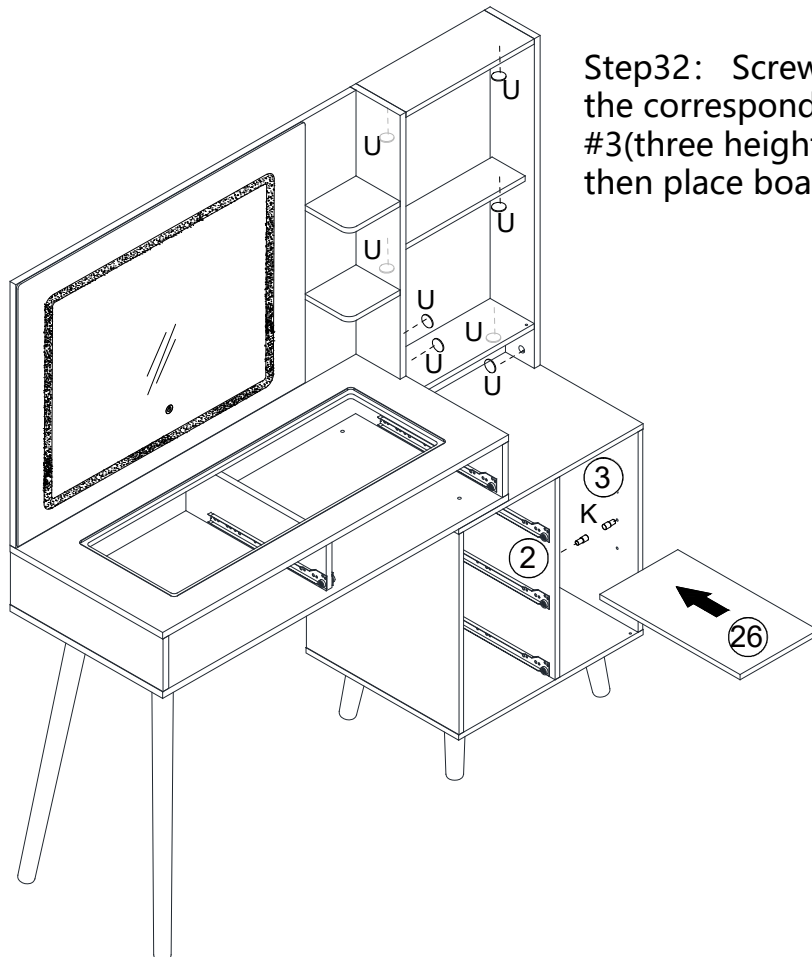
Step31: Use screws P in combination to attach board #15 to board #4.





P	x2
	

32

Step32: Screw the knob bracket K into the corresponding hole of boards #2, #3(three heights are available), and then place board #26 on top of them.

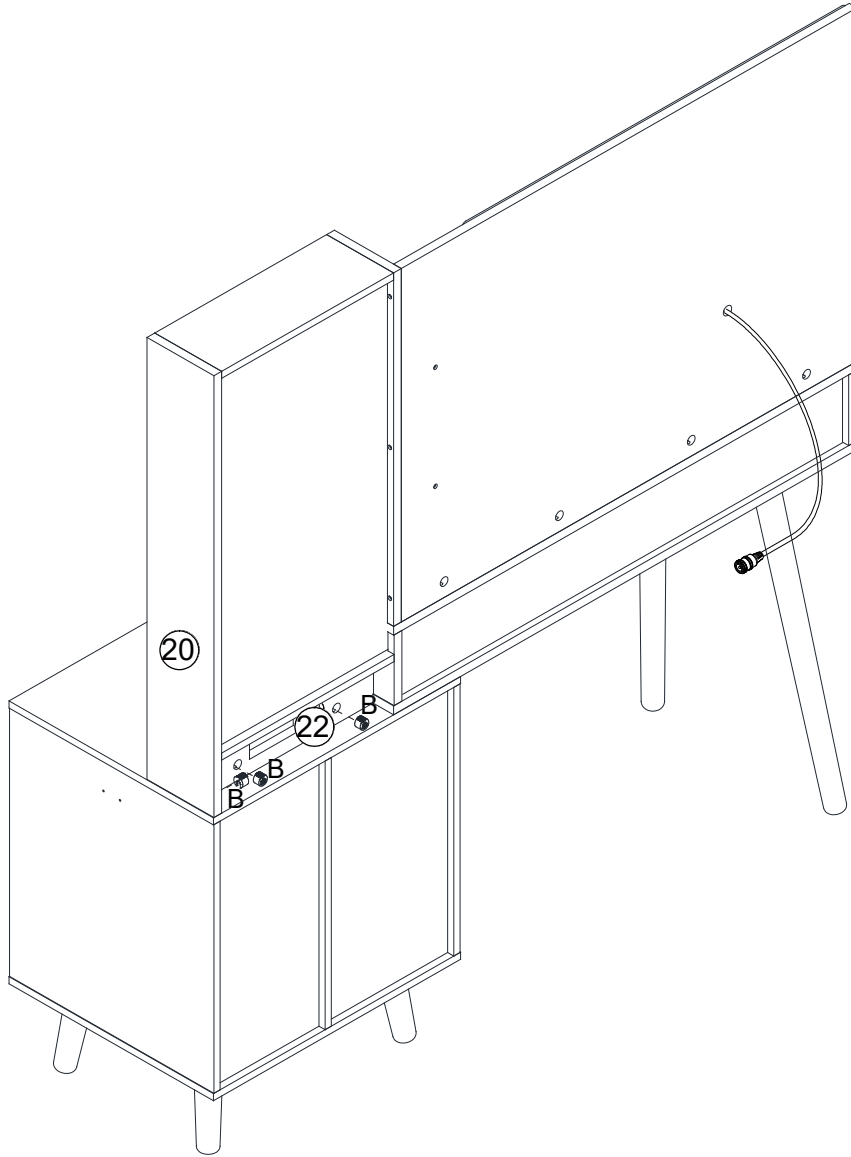



U	x8
	

K	x4
	

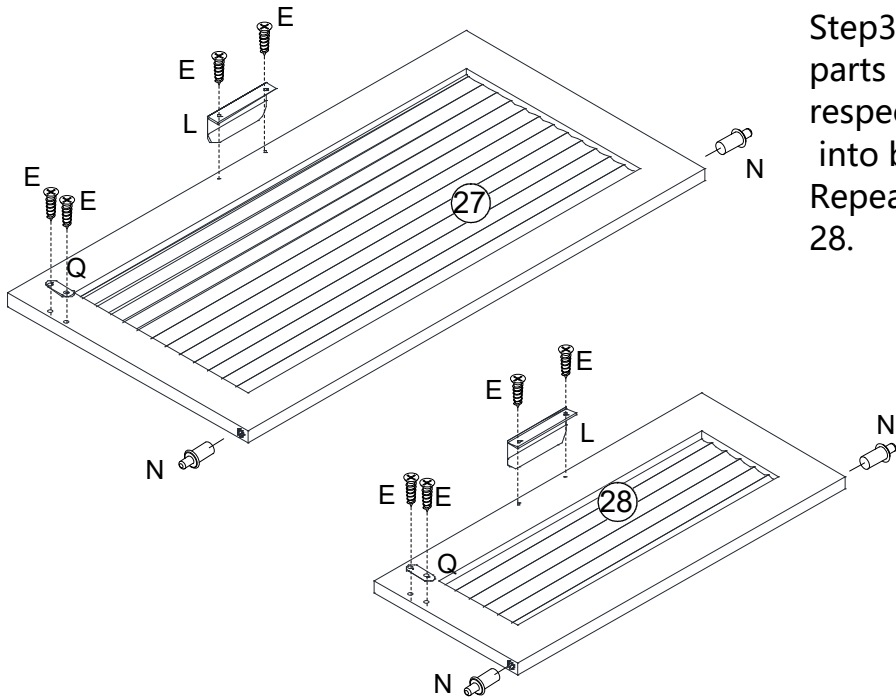
33

Step33: Insert the three bolts B into Board #22 in the correct direction and rotate them to tighten.







B	x3
	

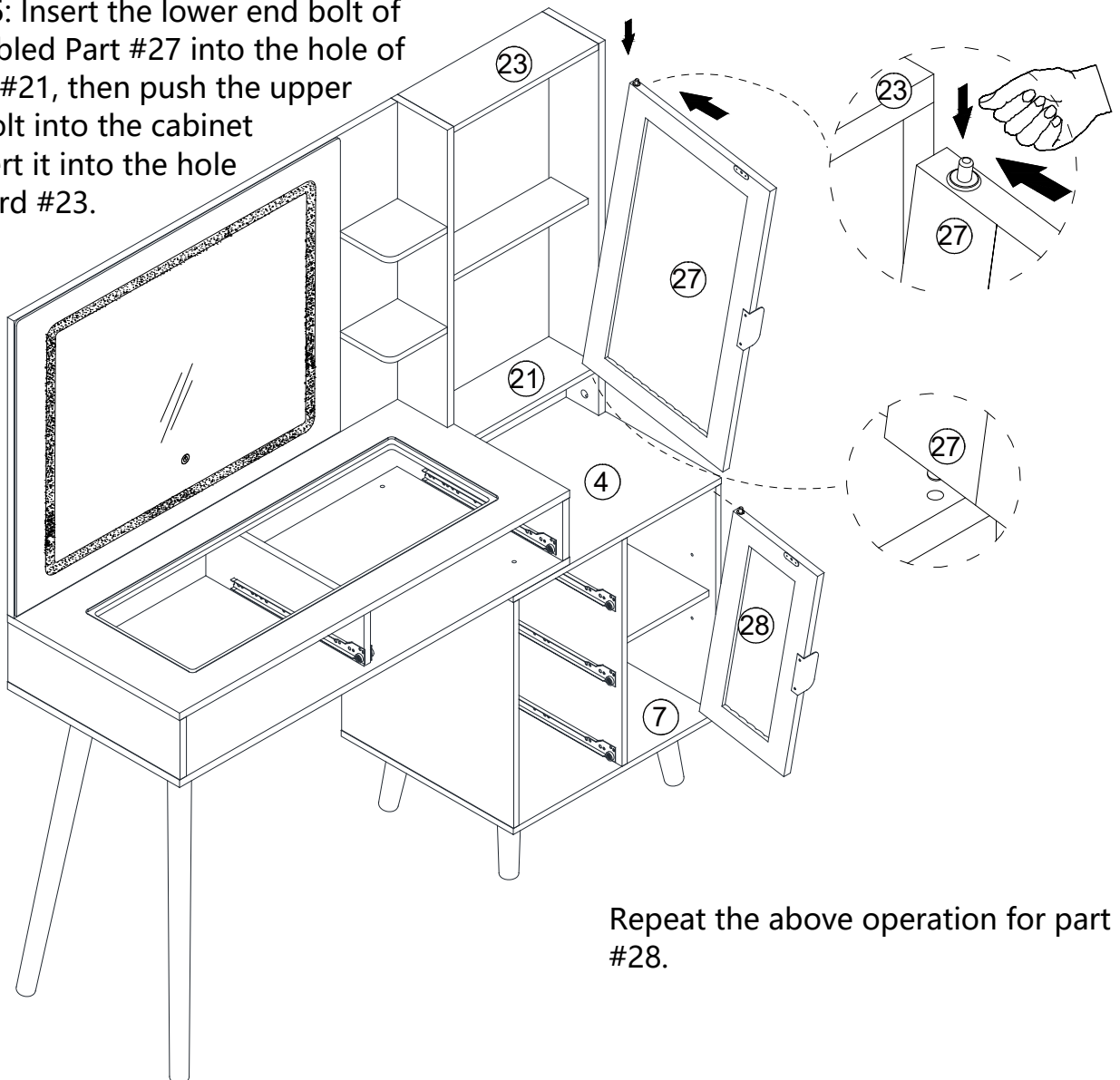
34



Step34: Use screw E to attach parts L and Q to board #27 respectively, then insert 2 bolts N into both ends of board #27. Repeat this operation for board #28.

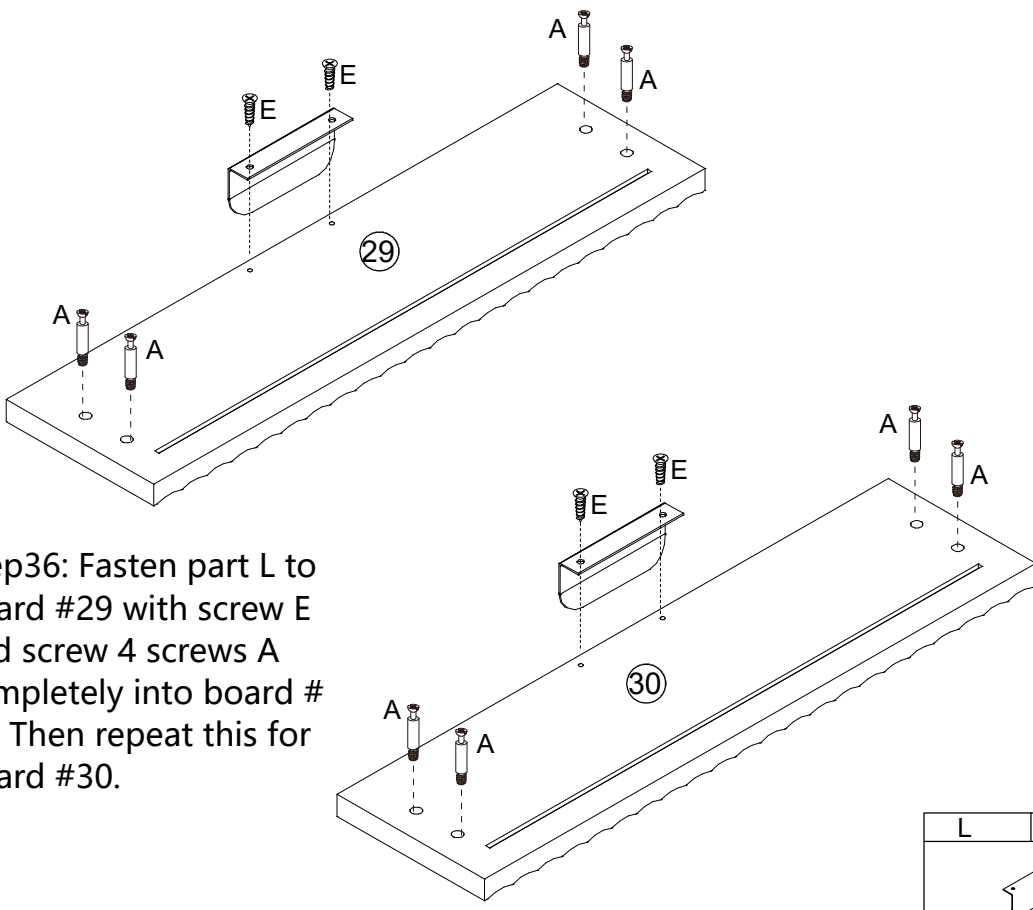
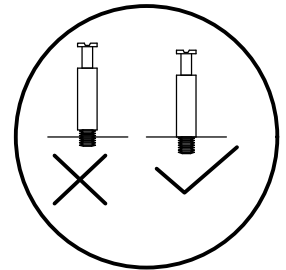
E	x8	N	x4
			
Q	x2	L	x2
			

35 Step35: Insert the lower end bolt of assembled Part #27 into the hole of board #21, then push the upper end bolt into the cabinet to insert it into the hole of board #23.



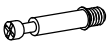


Repeat the above operation for part #28.

36

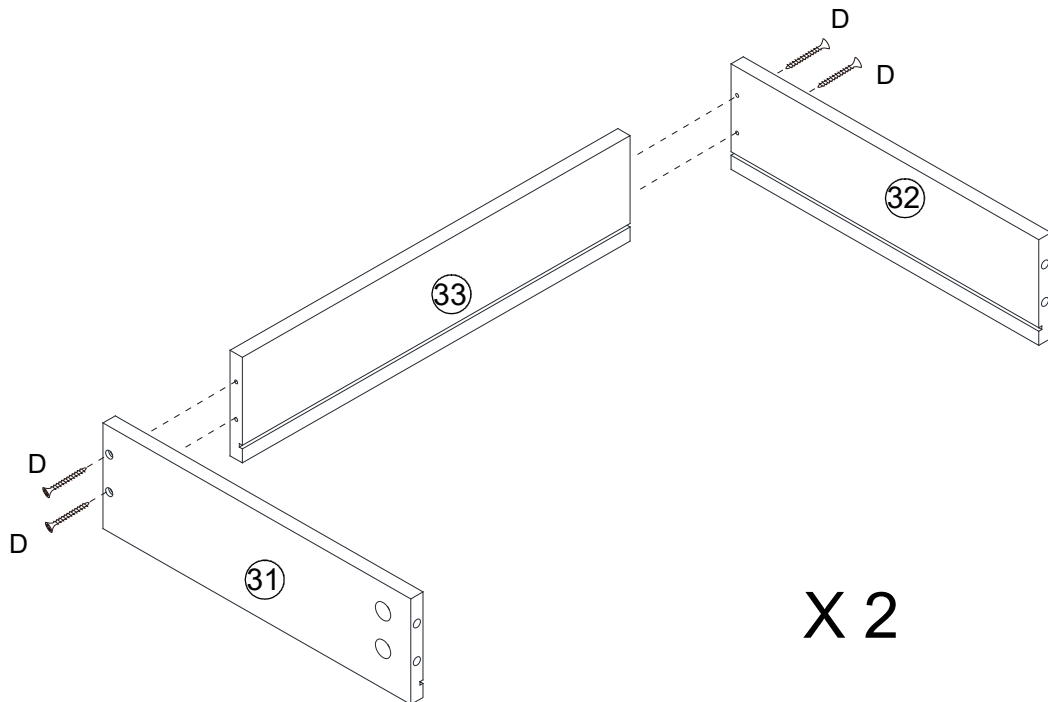


Step36: Fasten part L to board #29 with screw E and screw 4 screws A completely into board # 29. Then repeat this for board #30.


E	x4
	
L	x2
	
A	x8
	

37

Step37: Attach and secure board #31, #32 to board #33 using 4 screws D. Repeat the operation twice.

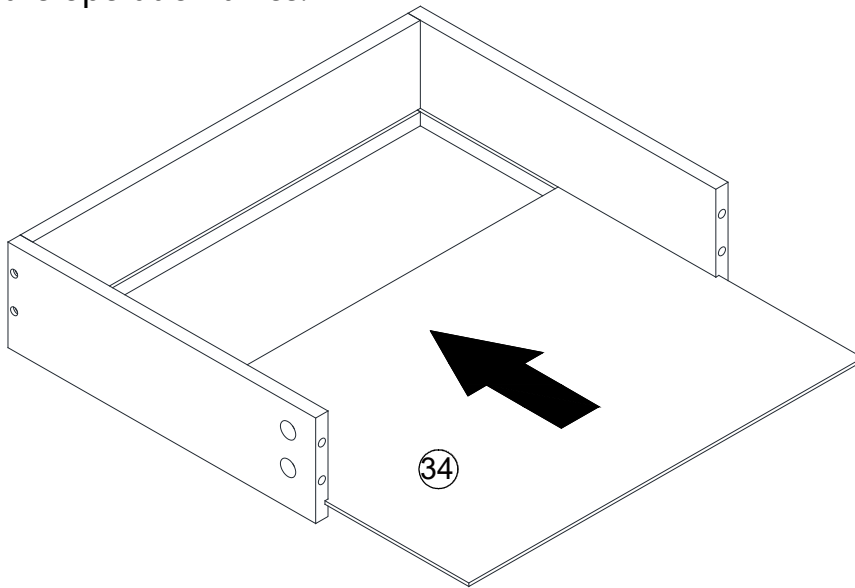


X 2

D	x8
	

38

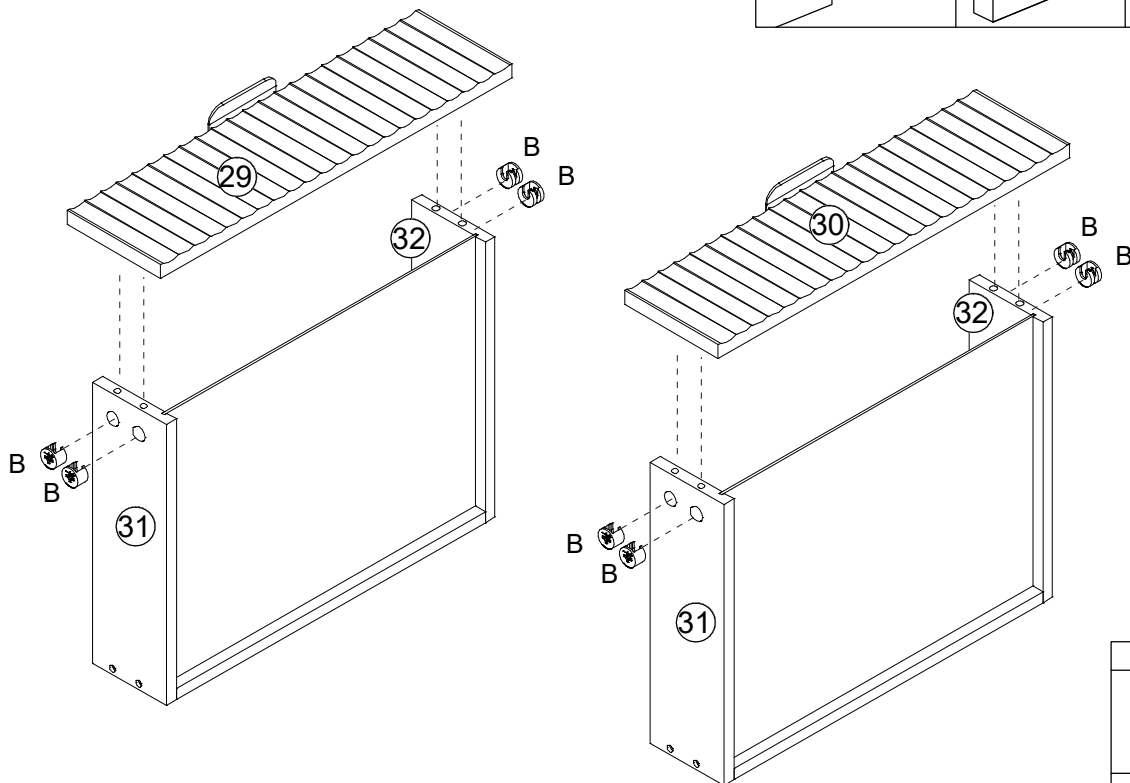
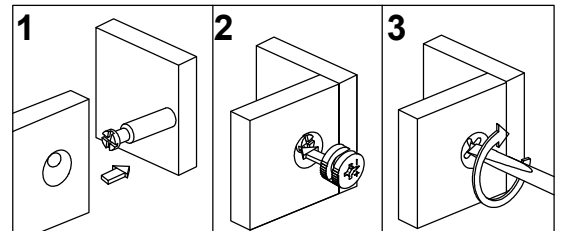
Step38: Push the part #34 into place.
Repeat the operation twice.



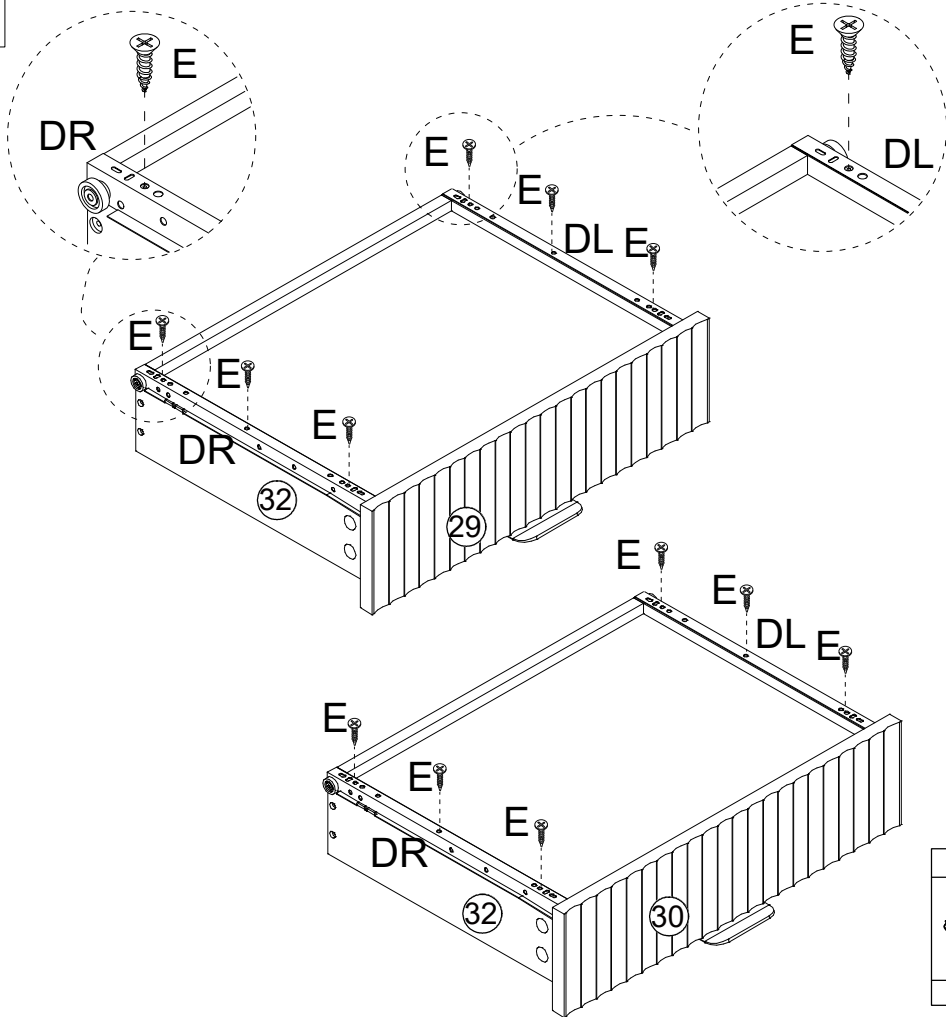
X 2

39


Step39: Insert screw A on board #29 aligned with the side holes, then use nut B to secure them. Repeat this for another drawer.





40



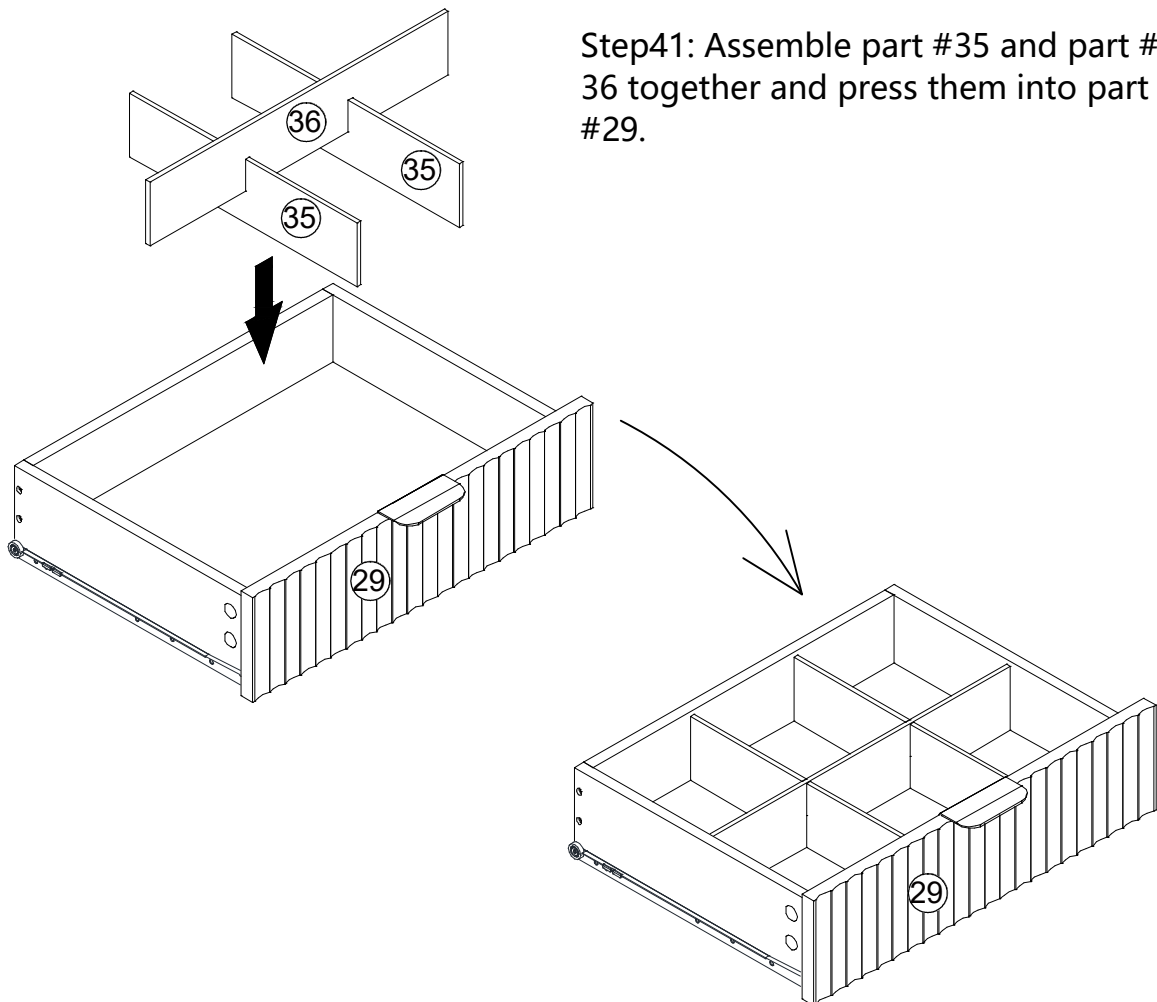
Step40: Fasten parts DL and DR to parts # 29 and #30 with screw E in turn (note: left and right and hole positions need to be distinguished).

E	x12
	

DL	x2
	
L300mm	

DR	x2
	
L300mm	

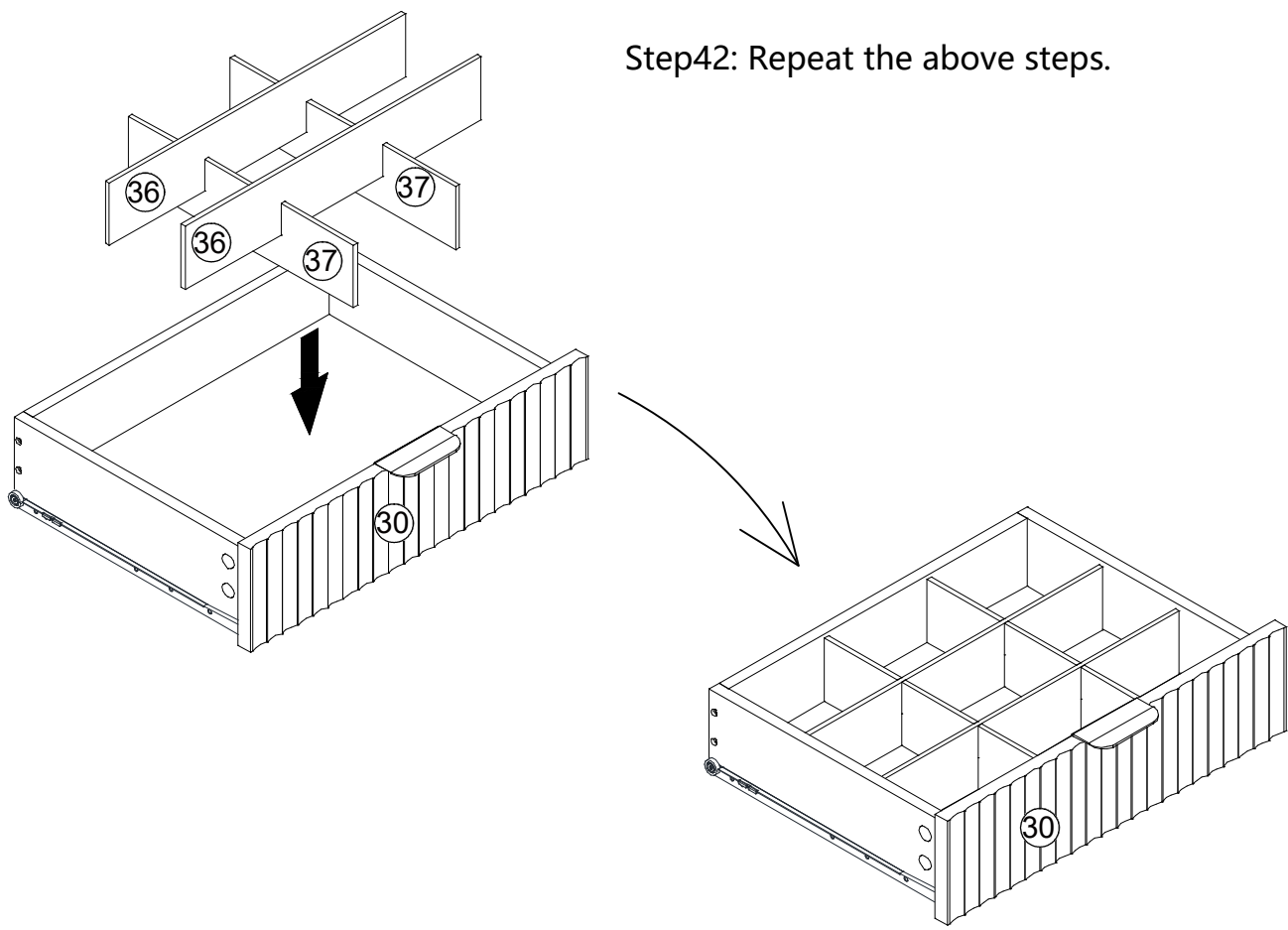
41



Step41: Assemble part #35 and part # 36 together and press them into part #29.

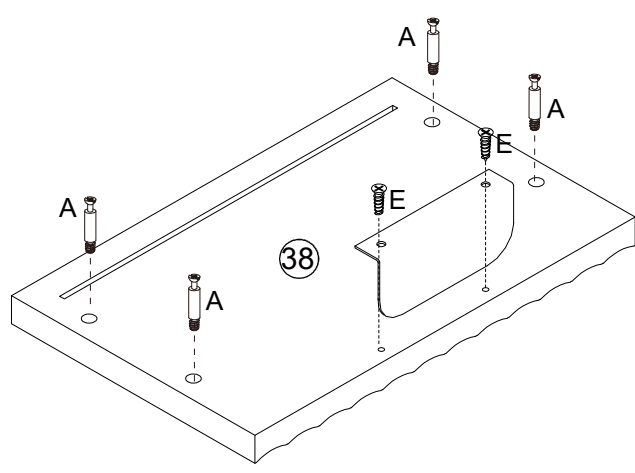
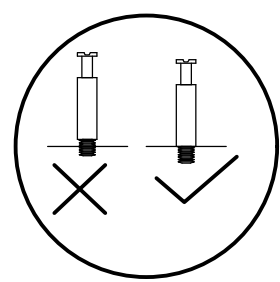
42

Step42: Repeat the above steps.


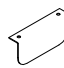
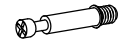


43

Step43: Fasten part L to part #38 with screw E. Subsequently, screws A are screwed into part #38. Repeat the operation three times.

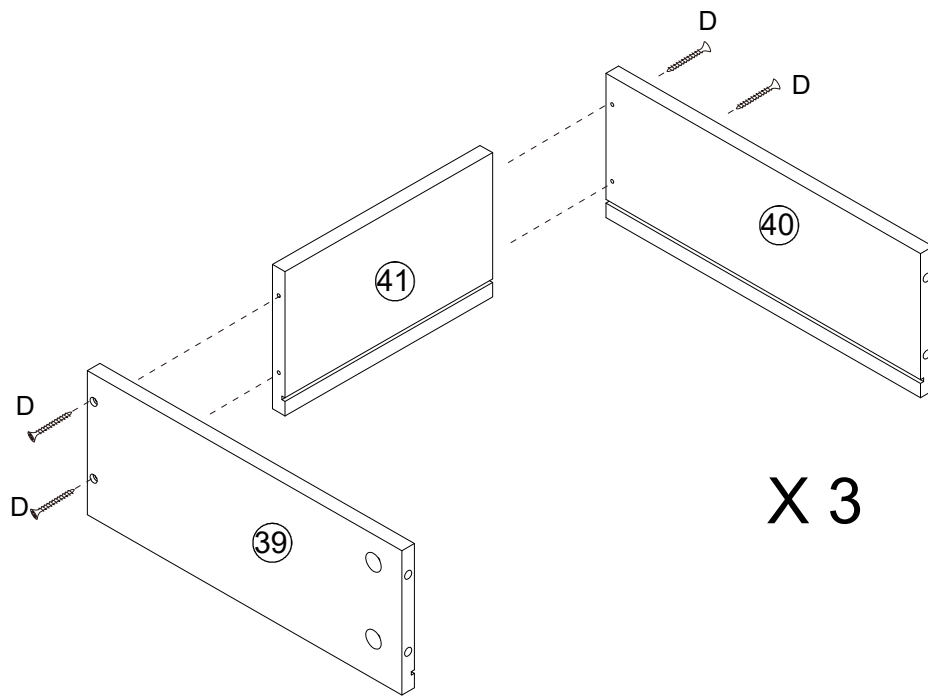


X 3

E	x6
	
L	x3
	
A	x12
	

44

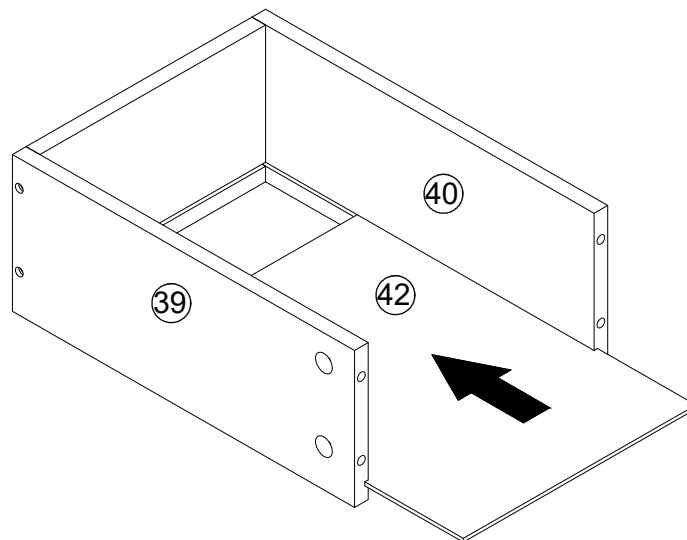
Step43: Use 4 screws D to connect and secure board #39, #40 to board #41 respectively. Repeat the operation three times.



D	x12

45

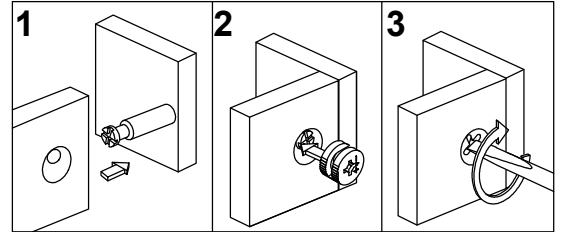
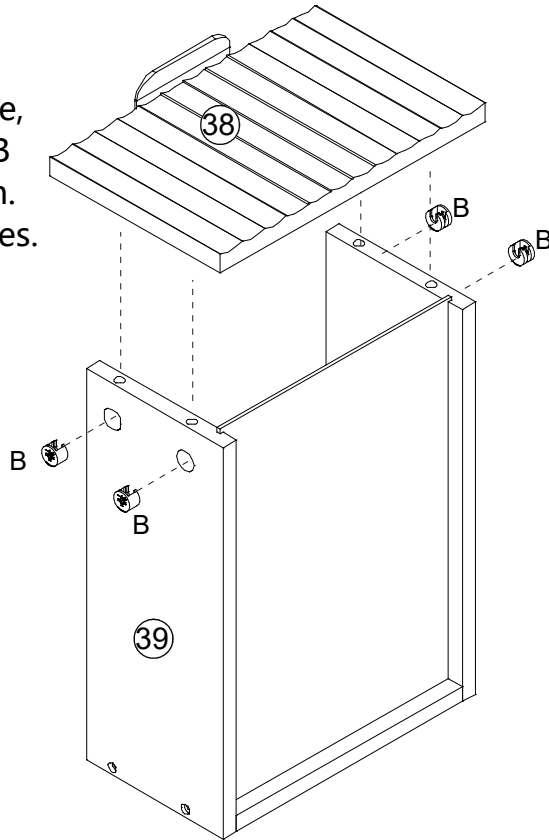
Step44: Insert board #42 along the prefabricated track between boards #39 and #40. Repeat three times.




X 3

46

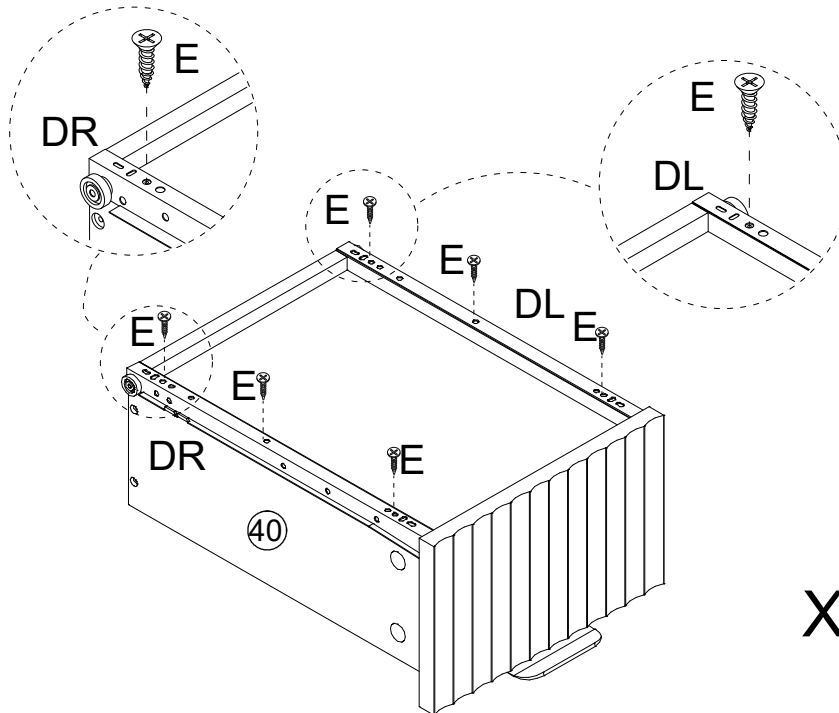
Step46: Insert screw A of board #38 into side hole, then insert nuts B and tighten them. Repeat three times.



X 3

B	x12
	




47



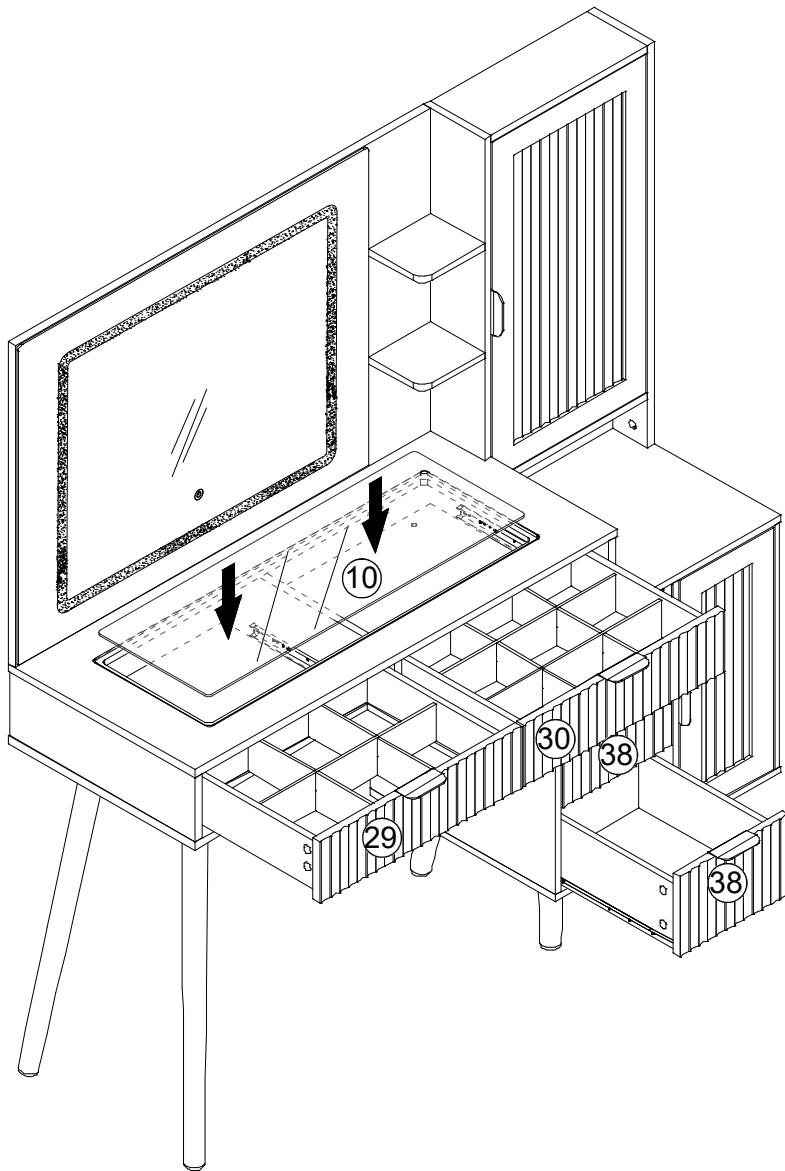
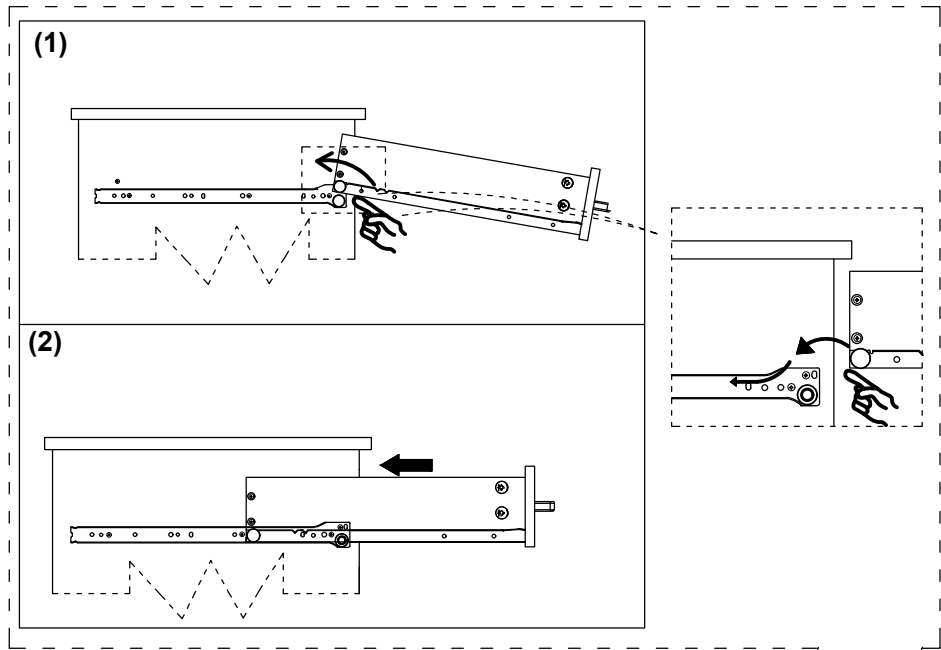
Note:
Left and right and hole positions need to be distinguished.

X 3

Step47: Secure parts DL and DR to the both sides of the bottom drawer with screws E. Repeat this three times.

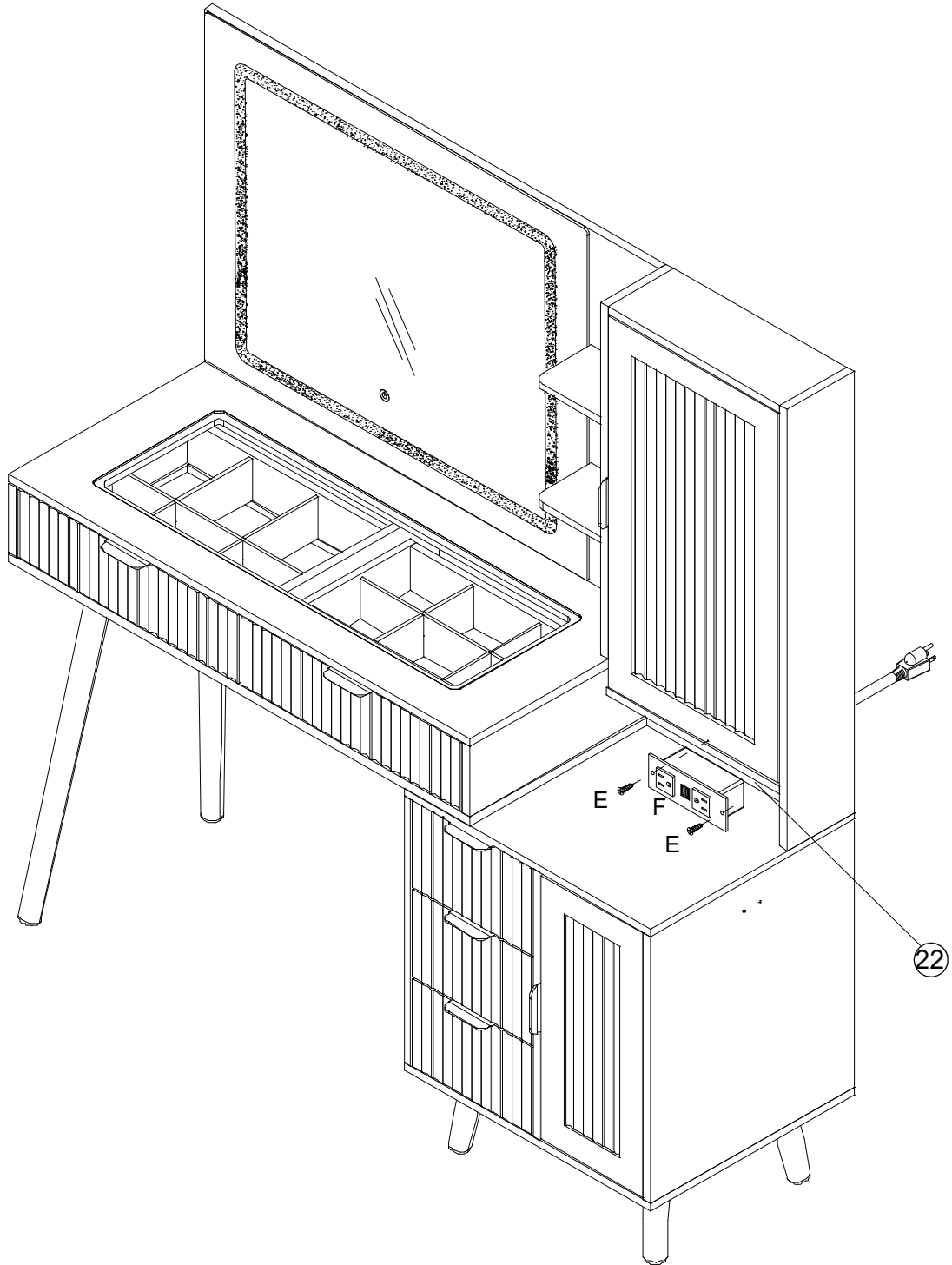
E	x18
	
DL	x3
	
L300mm	
DR	x3
	
L300mm	

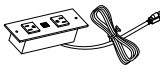

48 Step48: Tuck each assembled drawer along the track into its corresponding compartment.



49

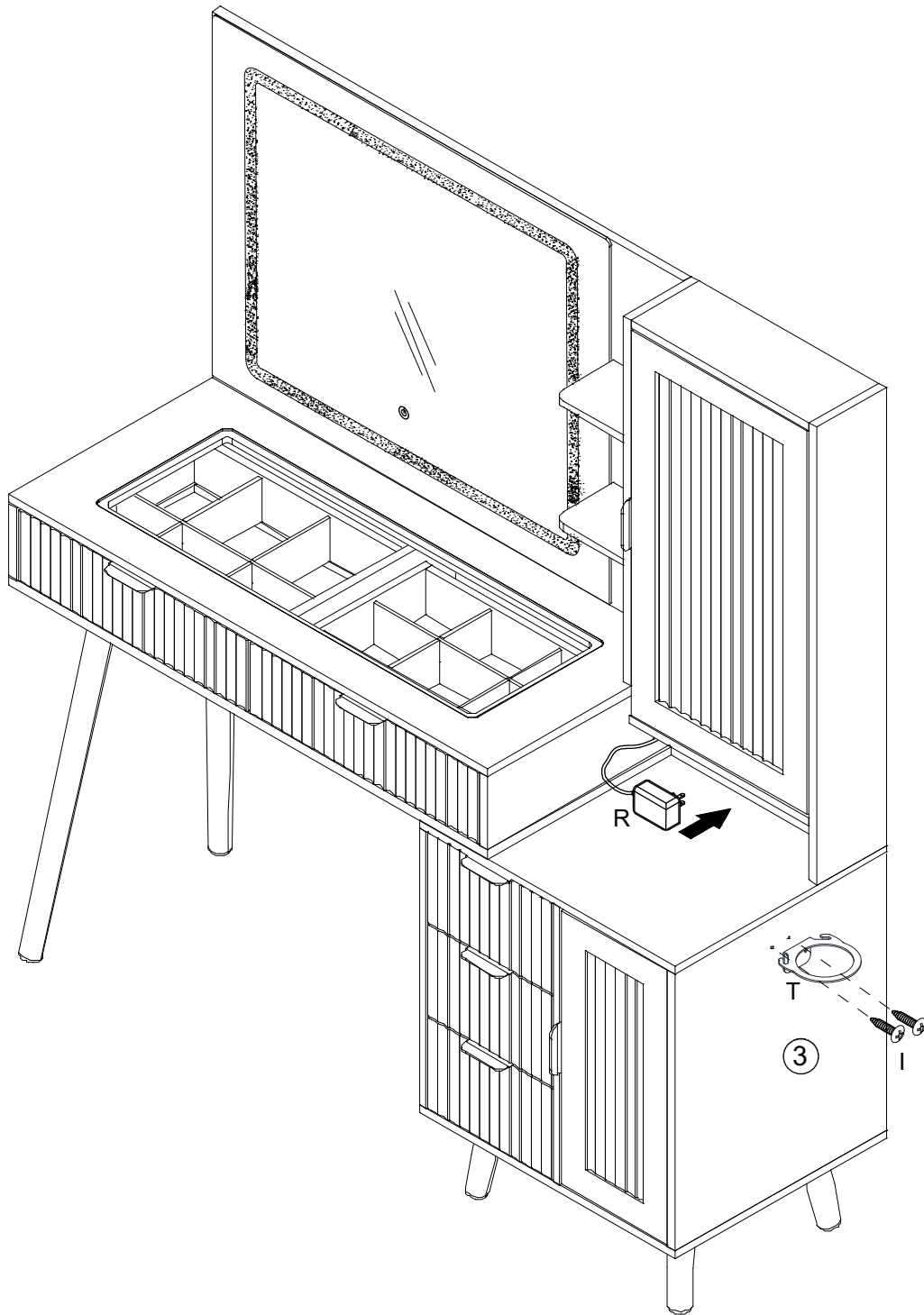
Step49: Fasten part F to part 22 with screw G.



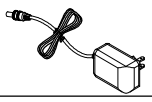


F	x1	E	x2
			

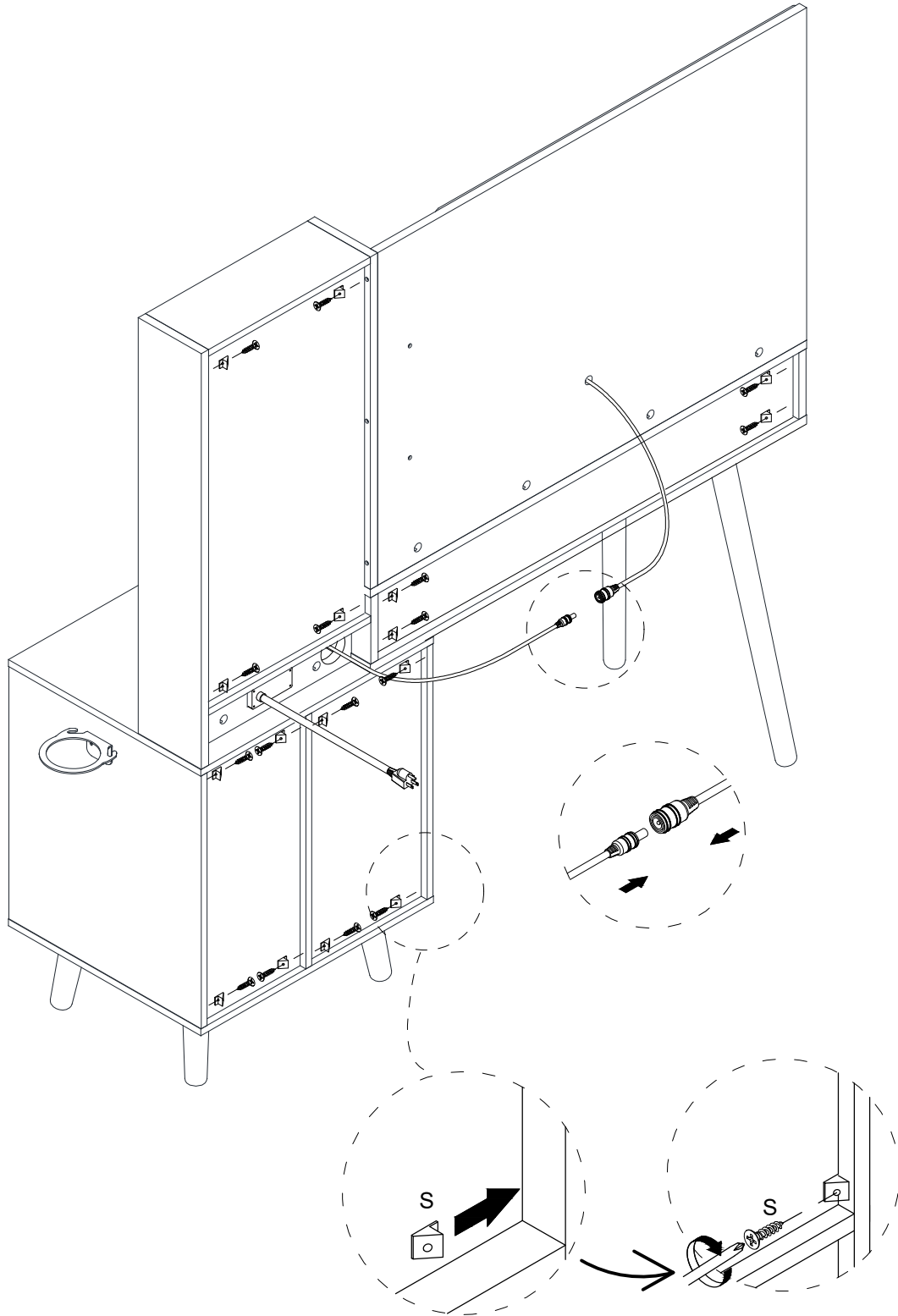
50



Step50: Use screw I to secure the bracket T to the side. Plug the cable R into power outlet F of the backplane.



T	x1	I	x2	R	x1
					

51 Step51: Connect the mirror cable and cable R through the gap, and you can use it after the power is connected. And assemble and install 16 parts S in the locations shown.

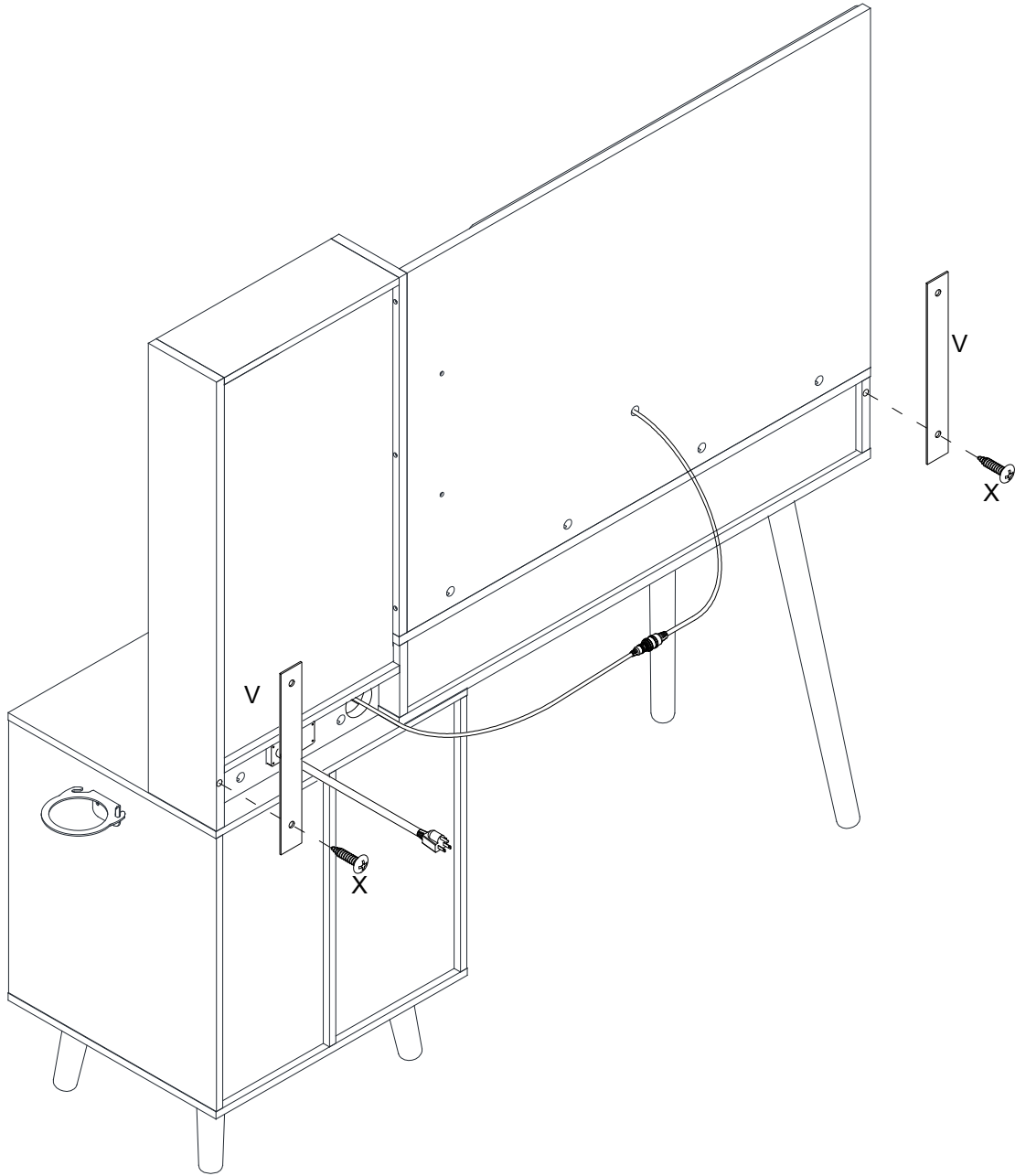




S	x16
	

52 The following content is optional for installation based on your own needs.

To securely mount the vanity on the wall, follow these steps:

☆ First, fixing of the sections V to the parts #11 and #20 with screws I.



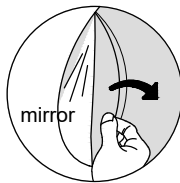
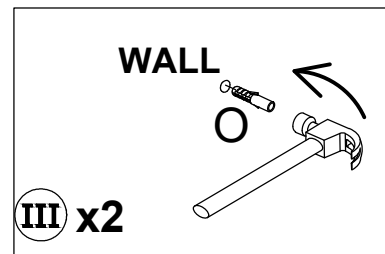
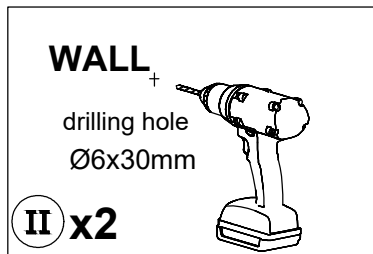
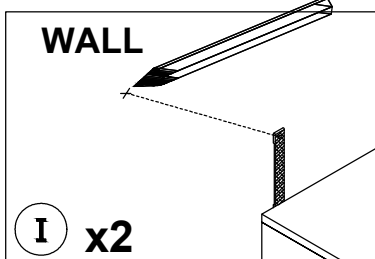
X	x2
	
V	x2
	

53 The following content is optional for installation based on your own needs.

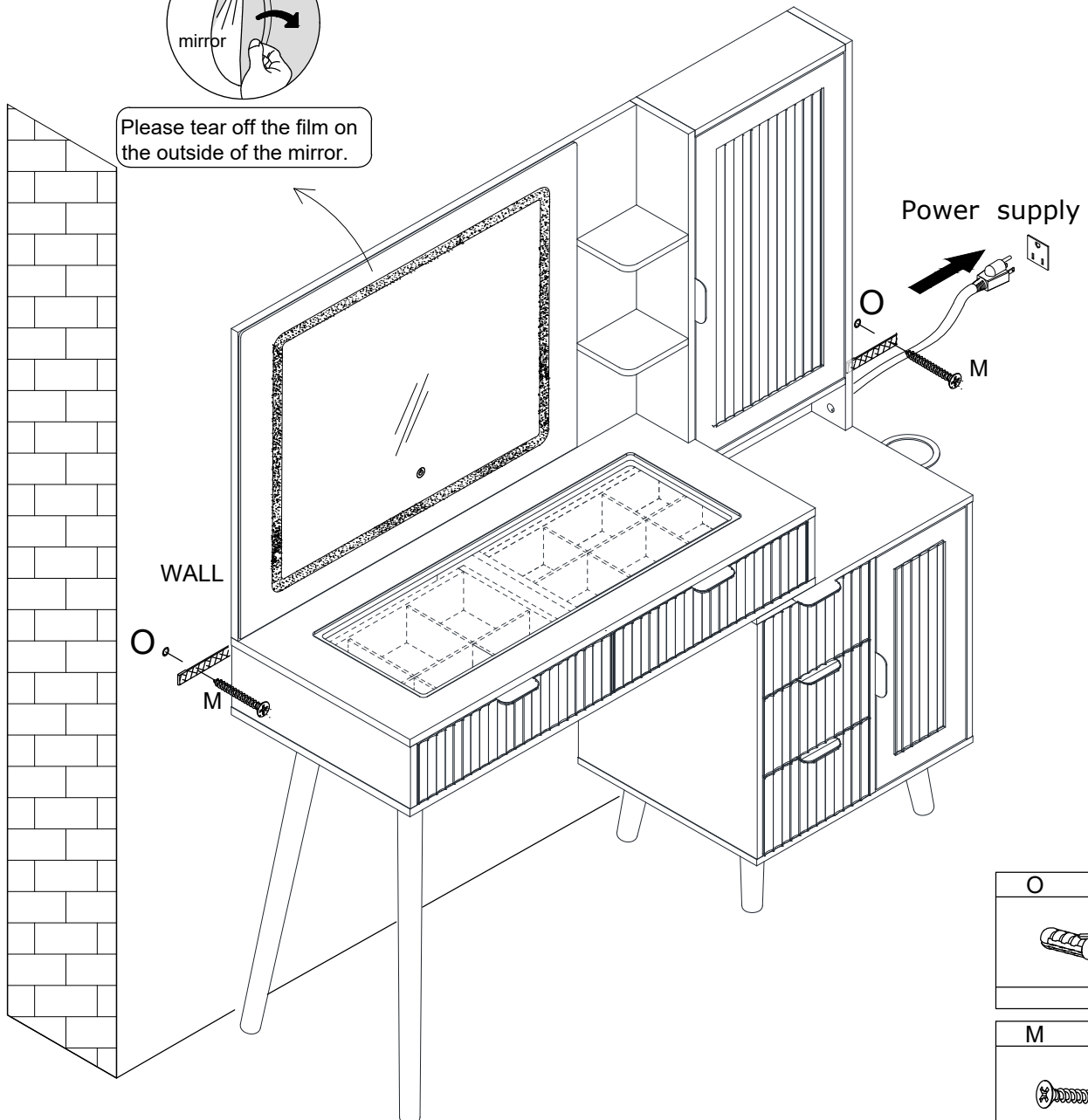
To securely mount the dresser on the wall, follow these steps:

- ☆ Begin by using a chainsaw to create pilot holes in the wall for the O screws.
- ☆ Insert the O screws into these pilot holes, ensuring they are securely fastened.
- ☆ Next, using the M screws to attach the part N of the dresser to the wall.
- ☆ Make sure the part N is firmly attached and aligned properly.

Please tear off the film on the outside of the mirror before using it.



Please tear off the film on the outside of the mirror.



O	x2
M	x2

Thank You!

For Your Purchase

Dear Customer,
Thank you for your recent order,
Now that you have got a finished vantiny, hurry up and put it to use! Each customer enjoys a one-year warranty. Once the warranty is activated, we promise to provide you with a risk-free experience during the warranty period. You are particularly welcome to share your feeling .
Have a wonderful day!

Contact us to unlook benefits

- ✓ Activating the One-year Warranty
- ✓ Viewing the Installation Video
- ✓ Getting a \$5-\$15 Gift Card / Salt Lamp
- ✓ Joining the New Product Trial Program