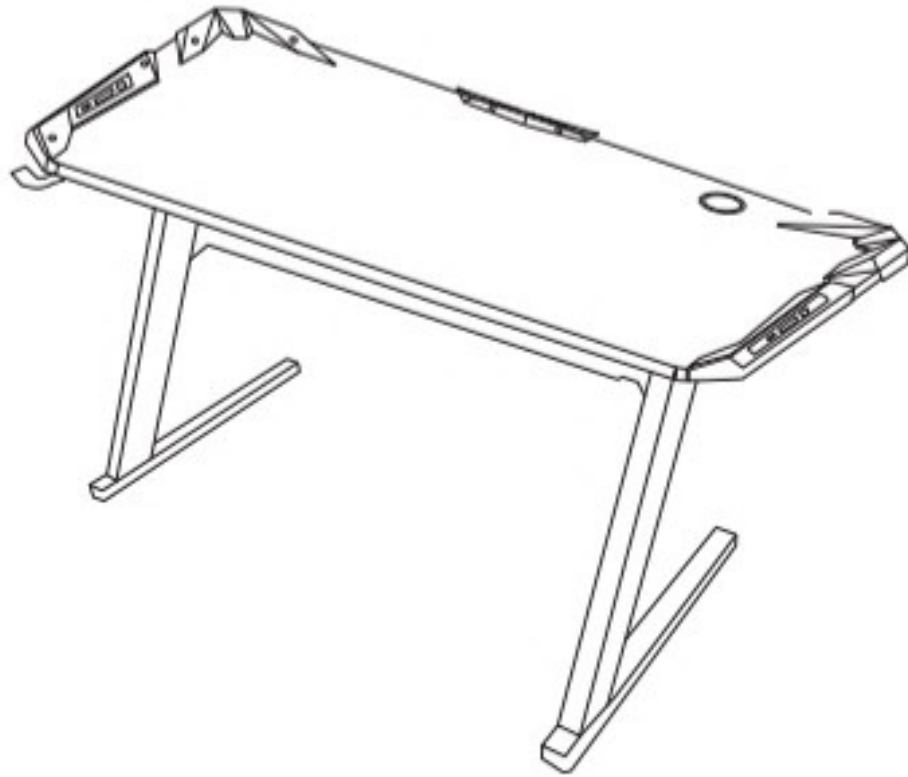


ASSEMBLE INSTRUCCATION

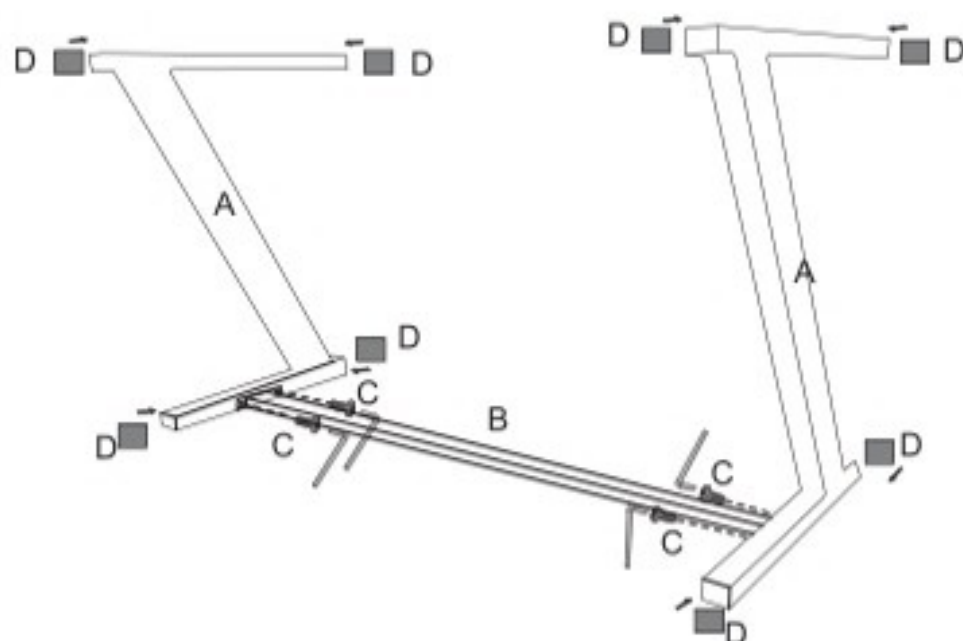


Warning:

1. The maximum static loading weight is 220lb and the dynamic loading weight is 11-18lb!
2. The desk can not lift up by itself at the first time after placing some times or temperature is too low, you have to give a little pull force by hands to help it lift up!
3. The desk have potential danger of tip-over if don't use it wisely, so children need to be accompanied by adult.

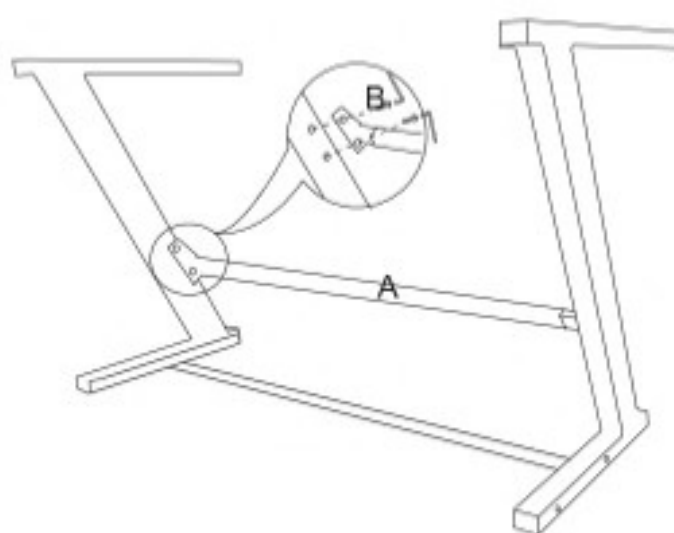


STEP 1



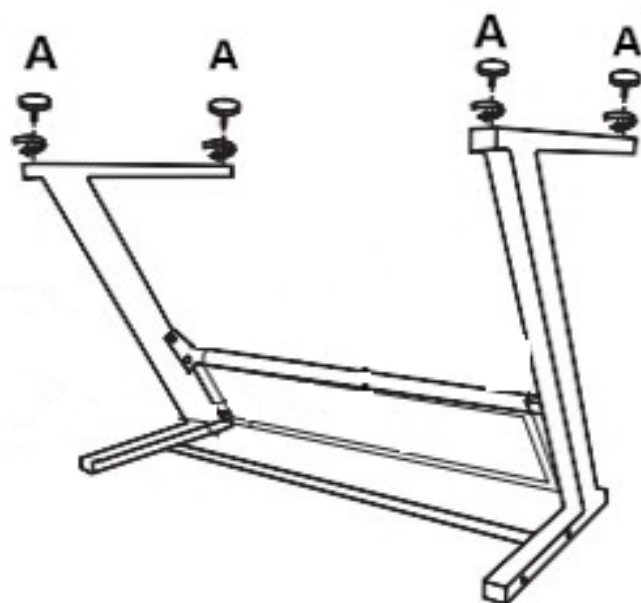
A		B		Cx8		Dx8	
E							

STEP 2



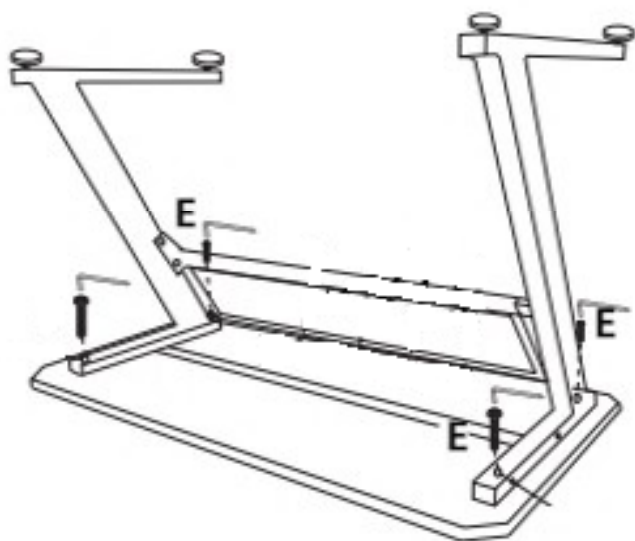
A		Bx4		C	
---	--	-----	--	---	--




STEP 3



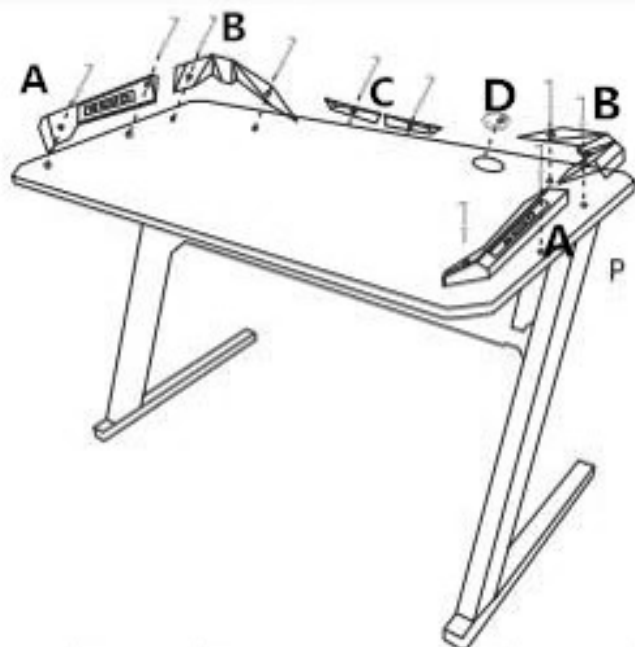
Ax4								
-----	--	--	--	--	--	--	--	--







STEP 4



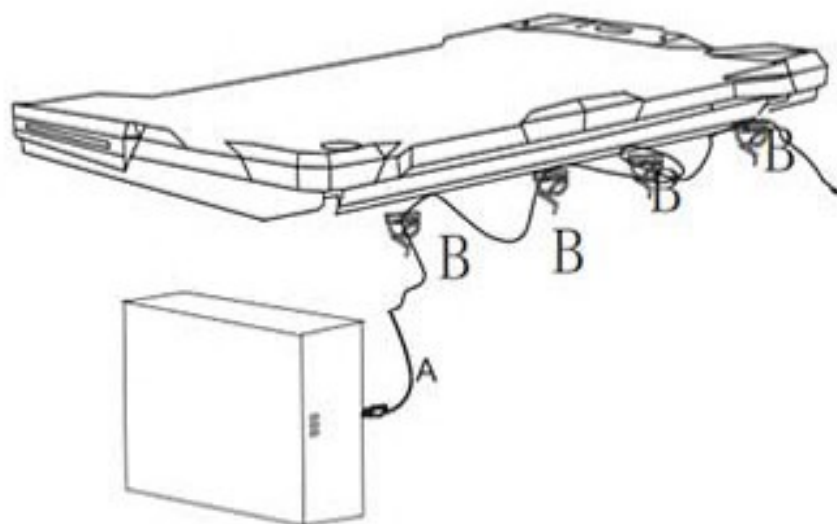
A											
Ex4								H			

STEP 5



A		Bx2		C	
D		Ex10		F	

STEP 8



A		Bx4		C	
---	---	-----	---	---	---