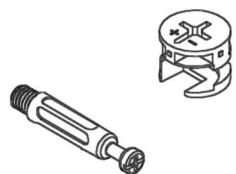
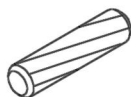


A 34 PCS

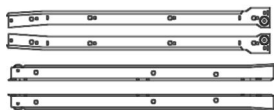


B 28 PCS



φ8*30

C 2 PCS



D 16 PCS



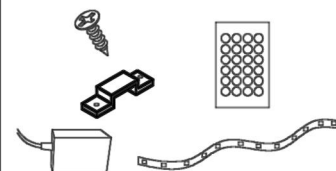
φ3.5*14

E 14 PCS



φ3.5*35

F 1 PCS

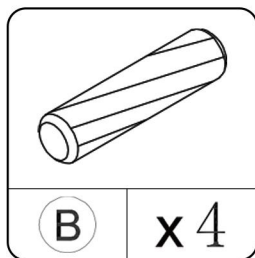
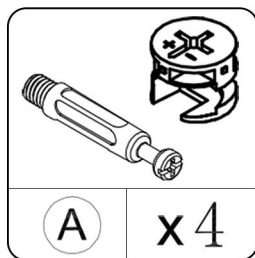
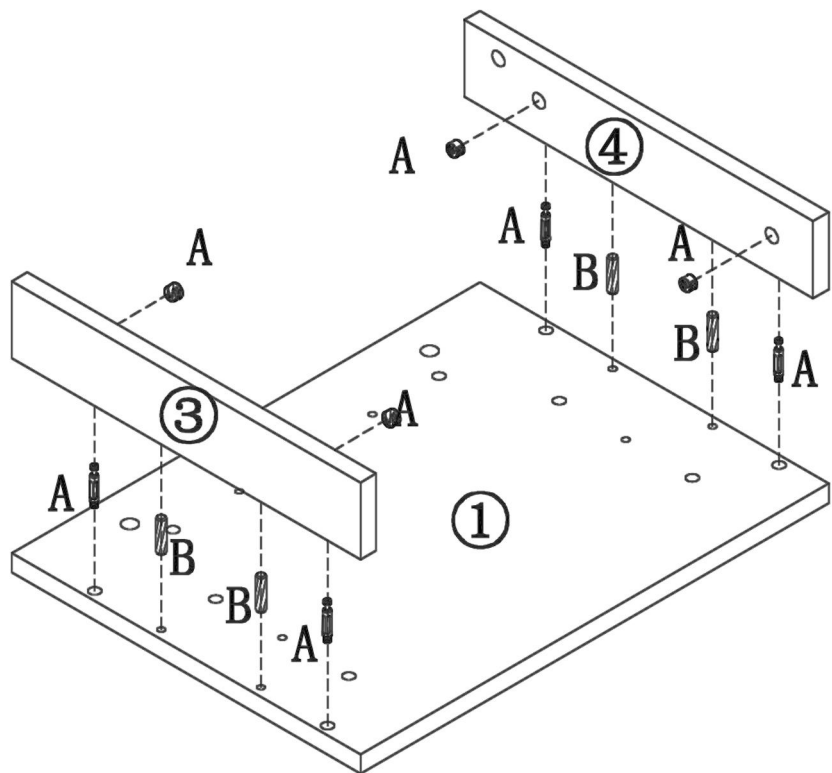


LED

1 OF 6

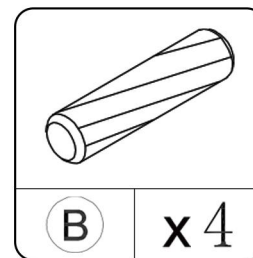
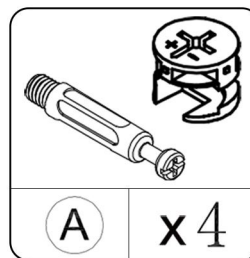
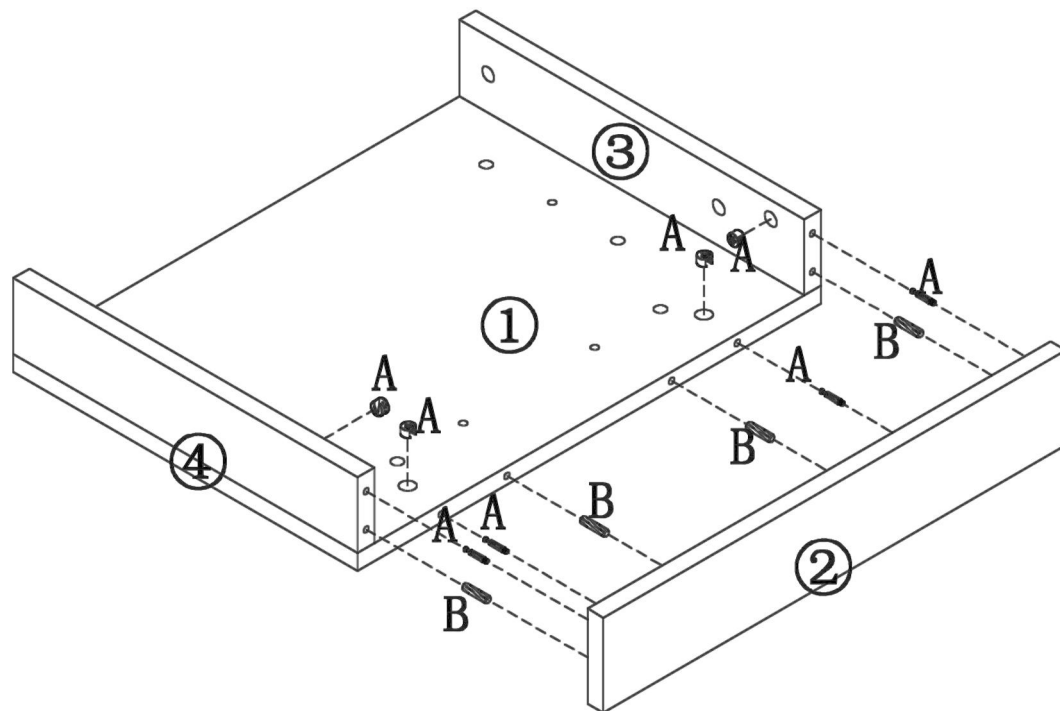
1

Screw cam bolts and insert wood dowels into panel (1) and locked with cam as below



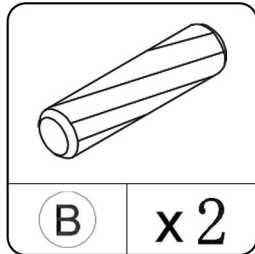
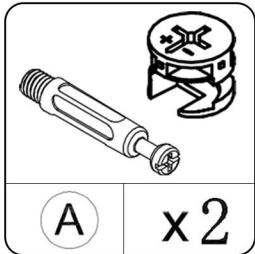
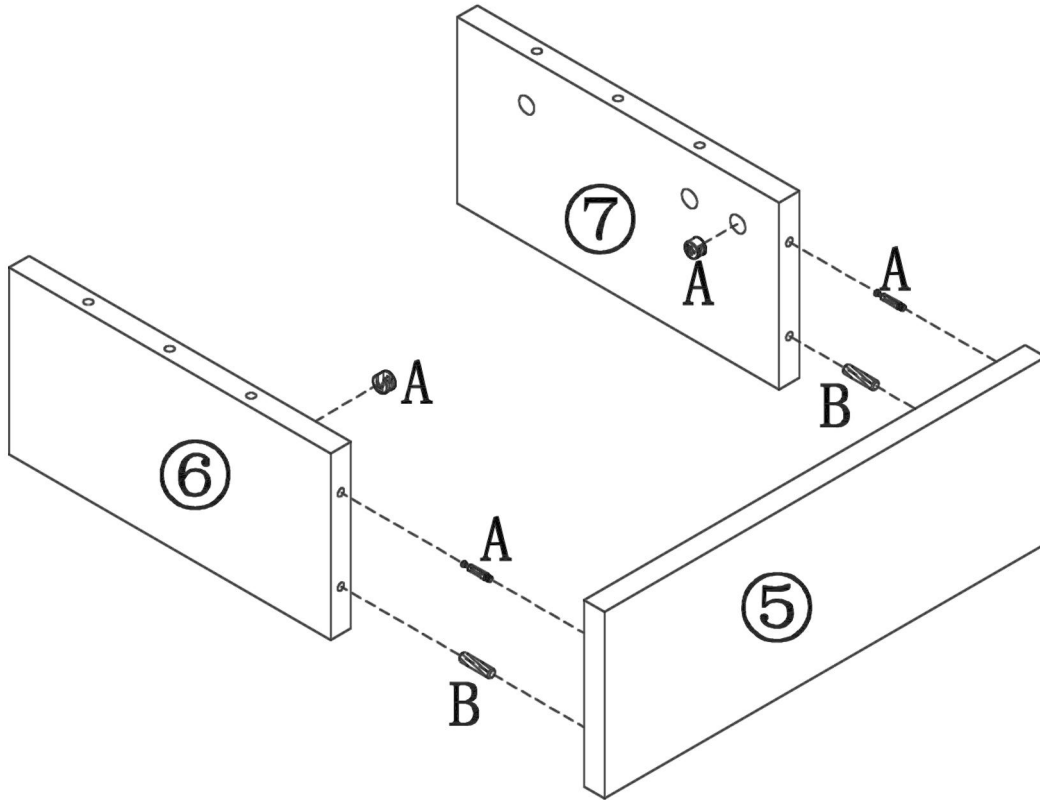
2

Screw cam bolts and insert wood dowels into panel (2) and locked with cam as below



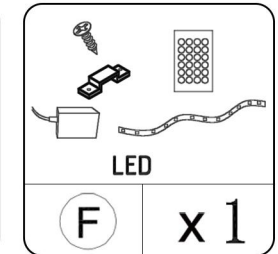
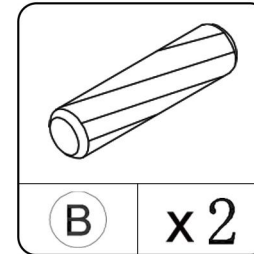
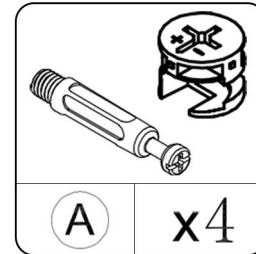
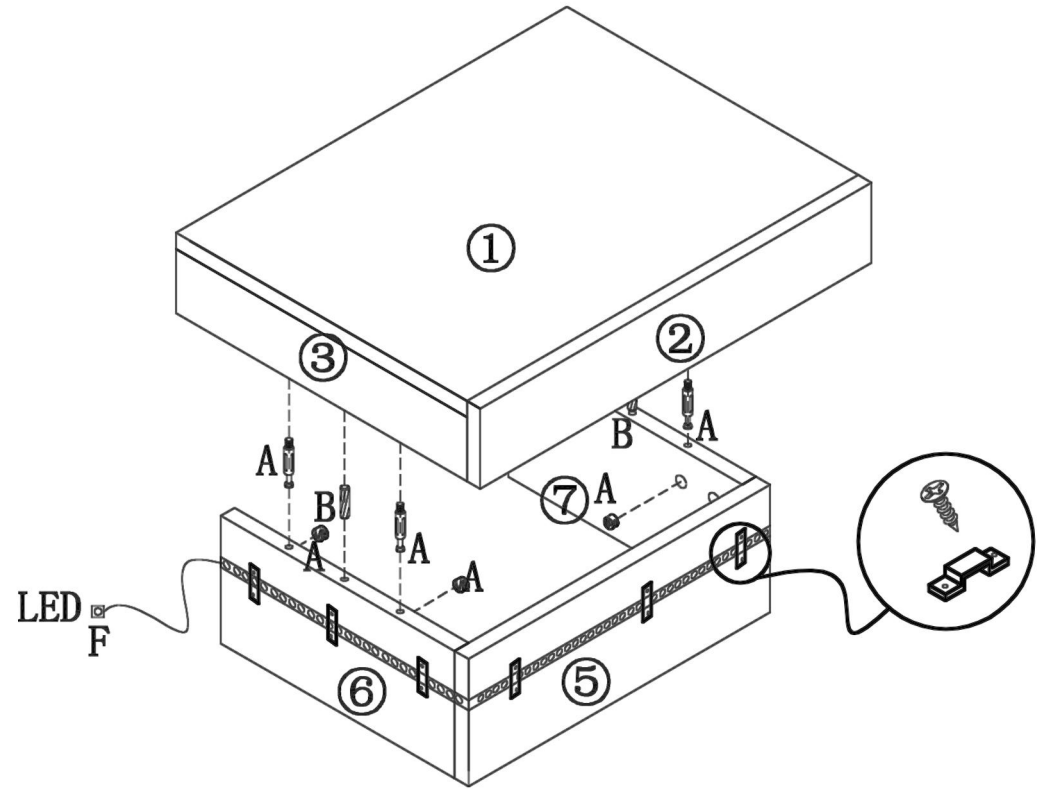
3

Screw cam bolts and insert wood dowels into panel (5) and locked with cam as below



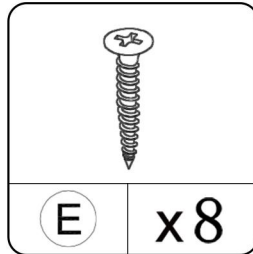
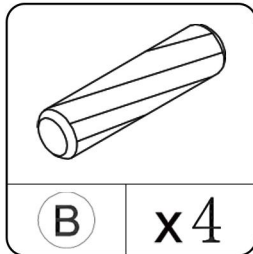
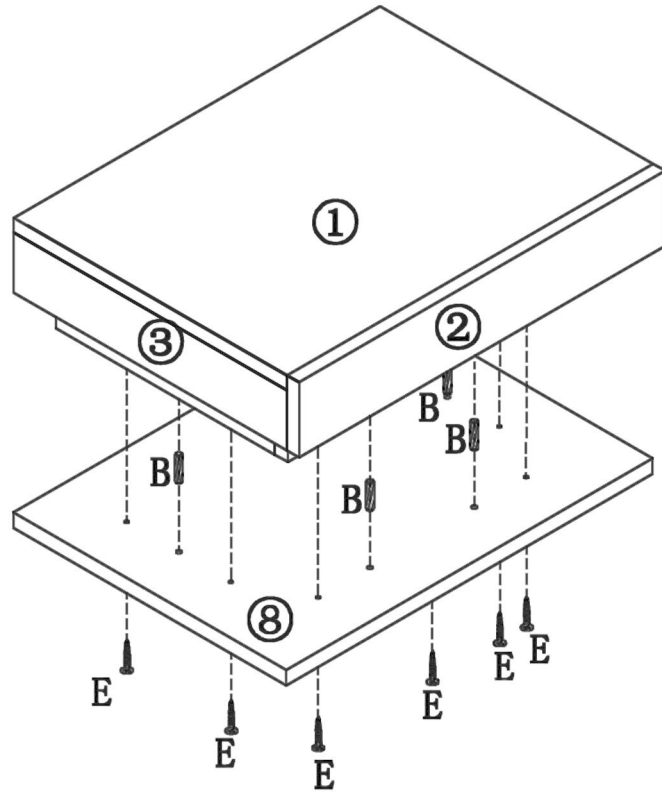
4

Screw cam bolts and insert wood dowels into panel (1) Attach panel(6&5&7) to panel(1) and locked with cam. Stick LED band to panel(6&5&7) as below



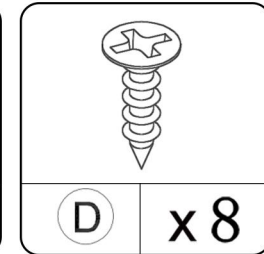
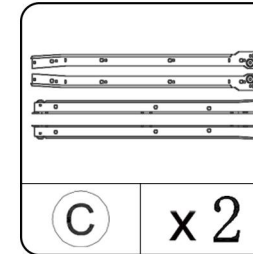
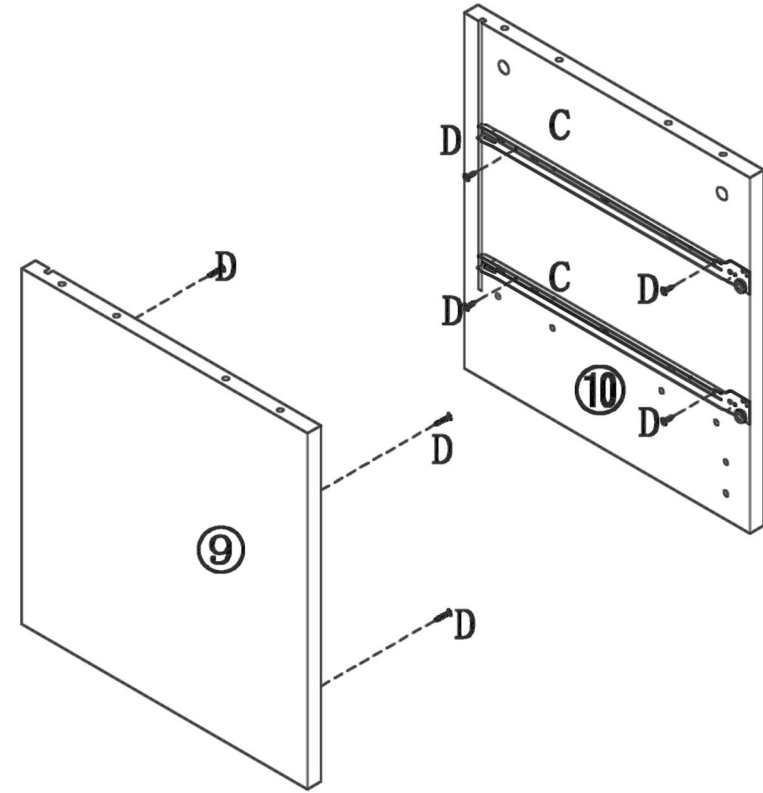
5

Insert wood dowels into panel(8) and attach panel(8) to panel(6&5&7) with screw(E) as below



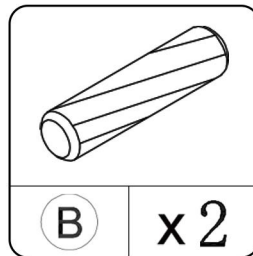
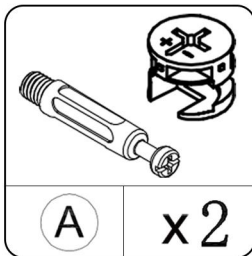
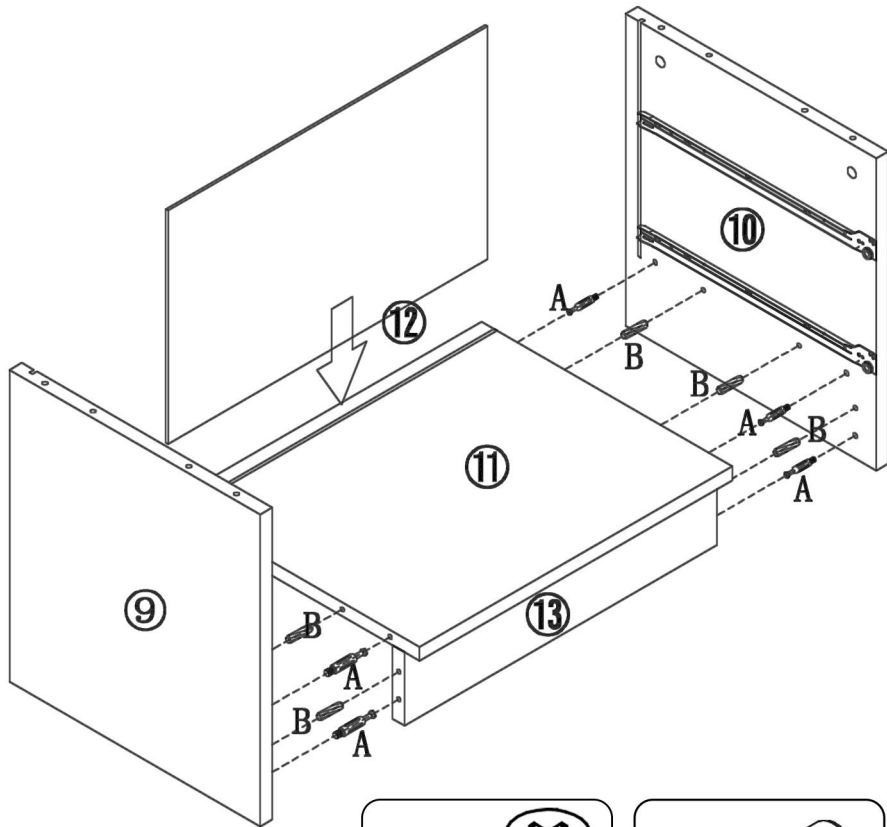
6

Attach rails(C) to panel(10&9) with screw(D) as below



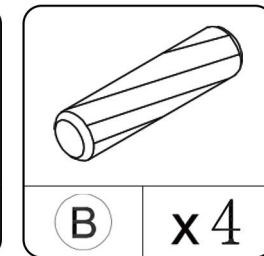
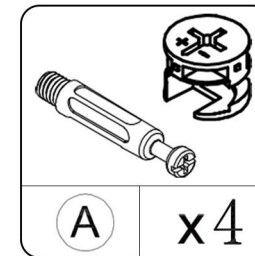
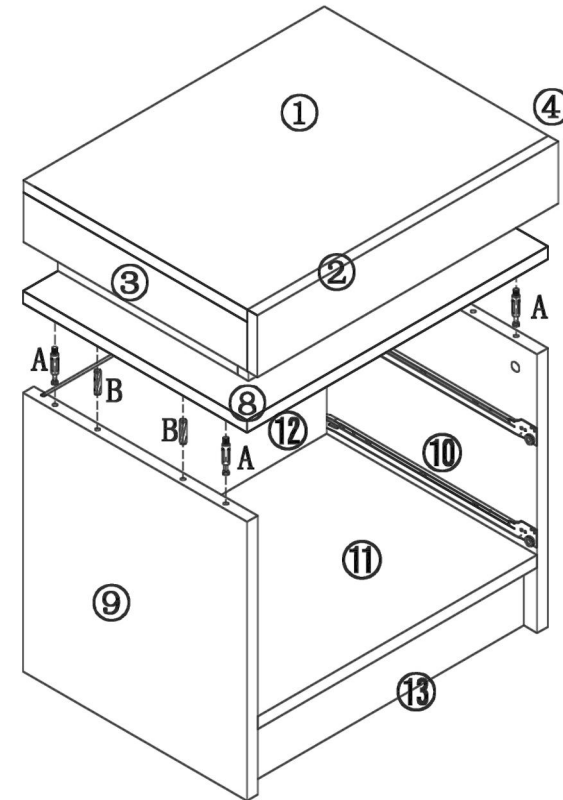
7

Screw cam bolts and insert wood dowels into panel (9&10) and attach them to panel(11&13) and locked with cam as below. Insert back panel(12) into panel (9&10&11) as below



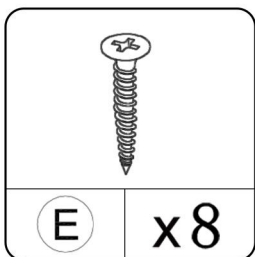
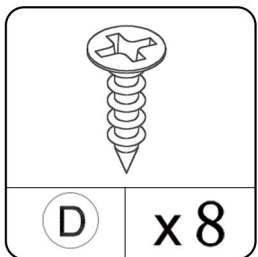
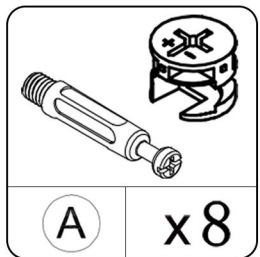
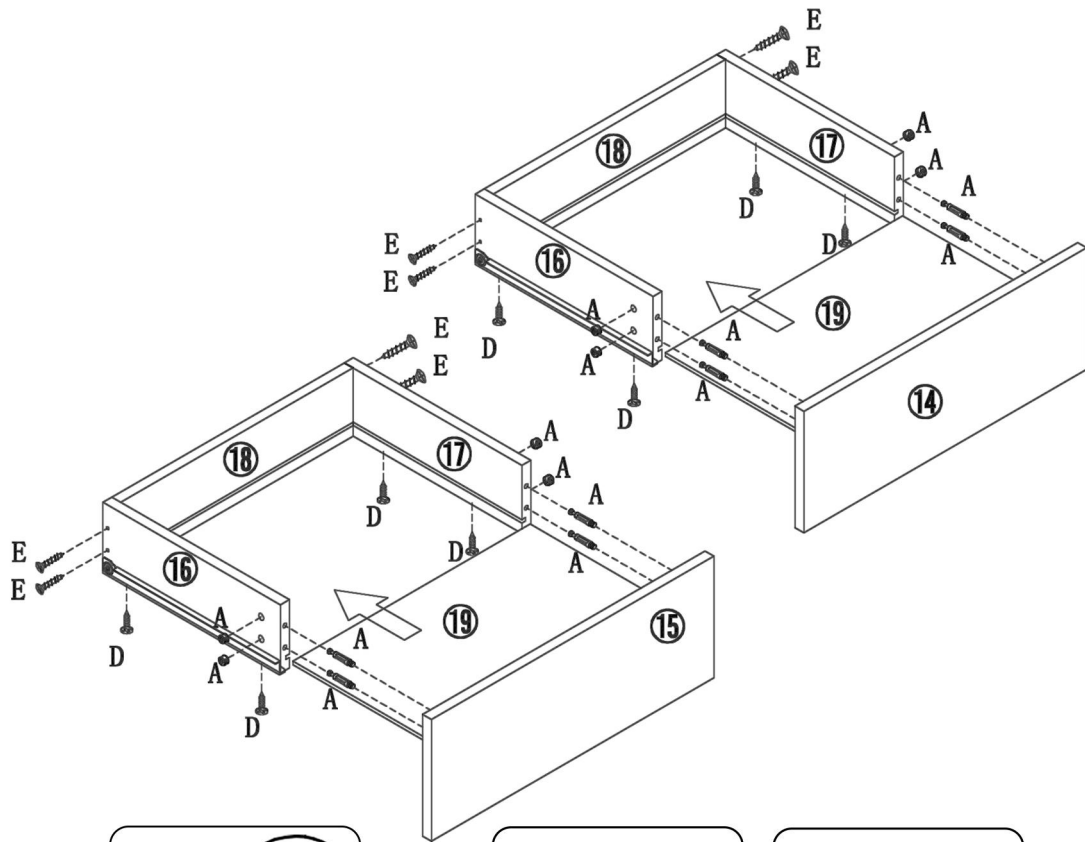
8

Screw cam bolts and insert wood dowels into panel (8) Attach panel(8) to panel(9&10) and locked with cam as below.



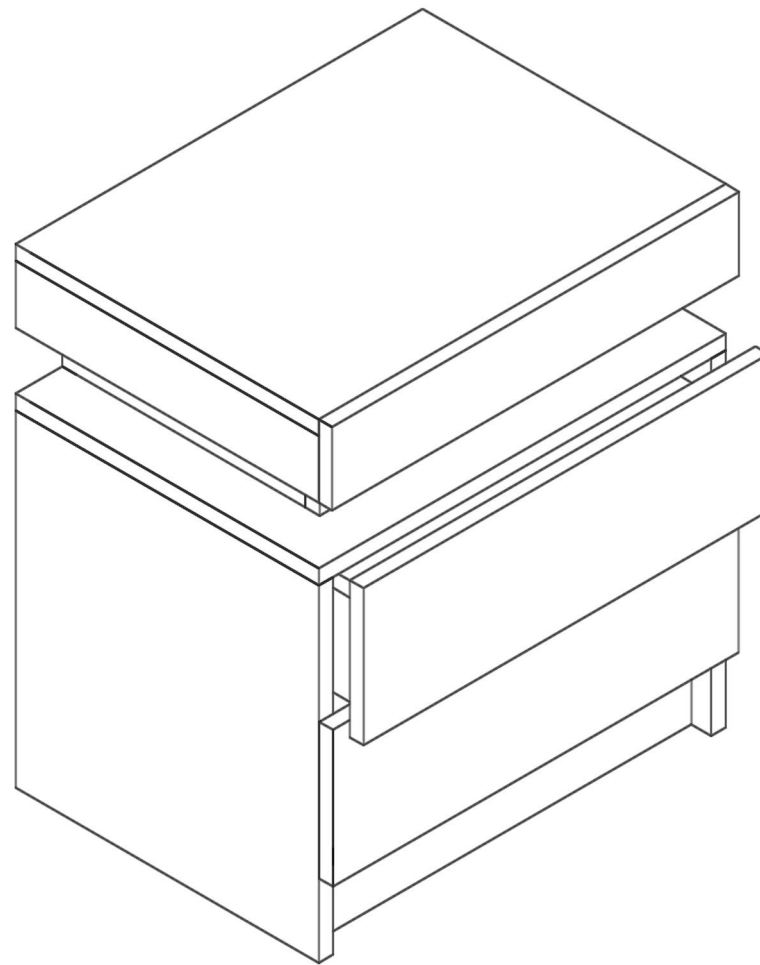
9

Attach panel(16&18, 17&18) with screw(E) as below
 Insert panel(19) into panel(16&17) as below
 Screw cam bolts into panel(14&15) and attach them to
 panel(16&17) and locked with cam as below



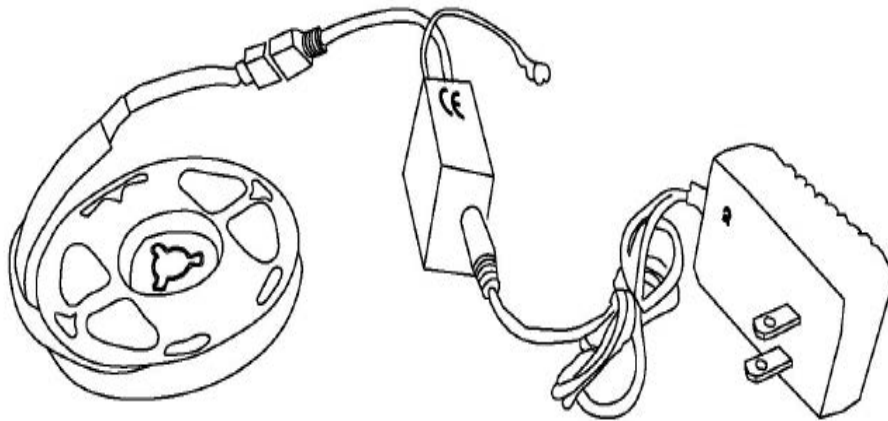
10

Put drawer boxes into carcass as below



11

Connected pin of LED and power adapter to the RGB control box as below,



12

Remove the battery protection pad from remote controller. Align remote controller to the RGB Control box to adjust the color mode.
Specifications of battery: cr2025 3V

