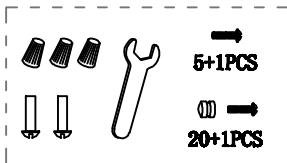
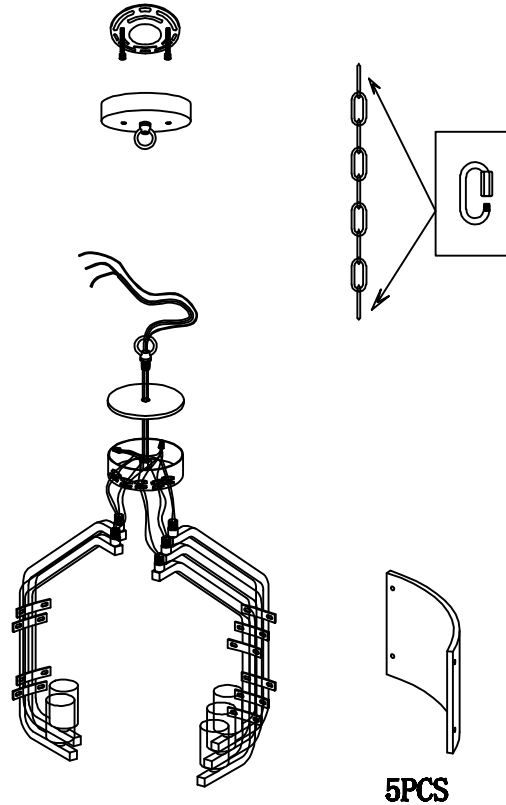
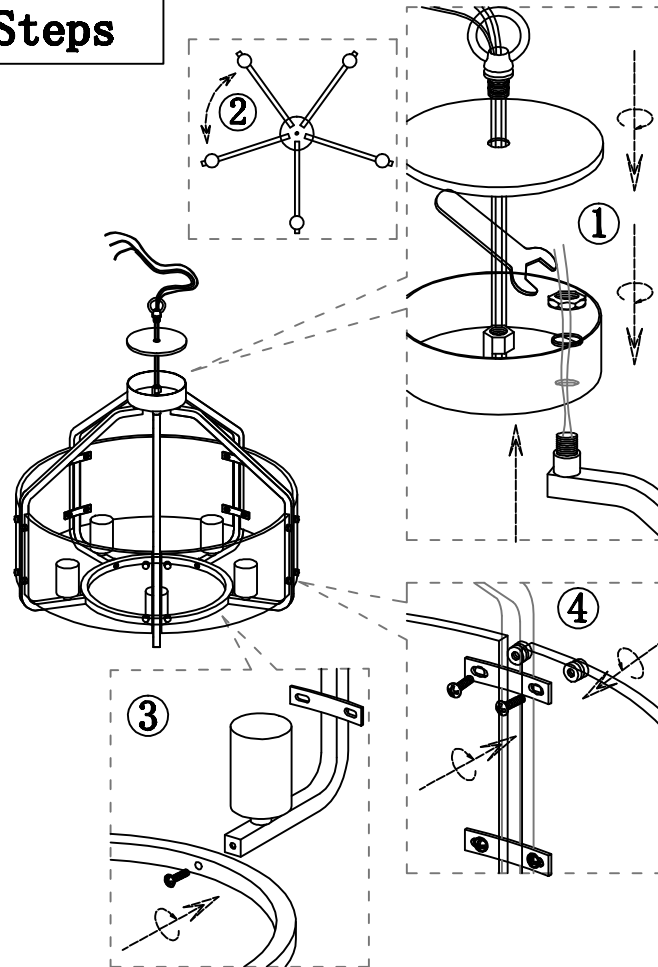


## Parts

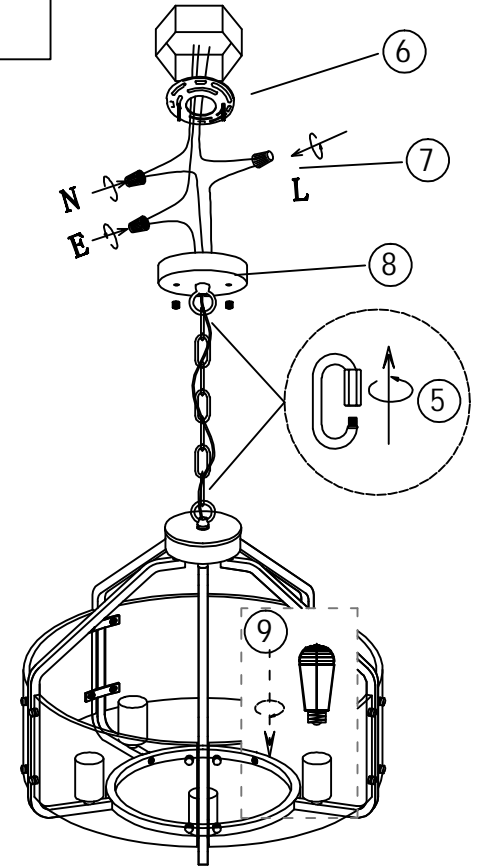


## Steps



1. Rotate the ring to loosen and remove out the cover plate from the junction box of light fixture, fasten the light arm to the box with lock nut and teeth lock washer, close back the cover plate to the box with ring.
2. Adjust the light arms to suitable position like picture shown.
3. Install the metal ring to the light arms with long screw.
4. Install the glass pieces between the light arms with screws.

## Steps



5. Hang the fixture to the canopy with chain, let the wire go through the chain and canopy.
6. Install the bracket to the ceiling junction box with screw.
7. Connect the wire to the home line with cap connector.
8. Install the fixture to the bracket with cap nut.
9. Install the bulbs. (bulbs are not included in the package)