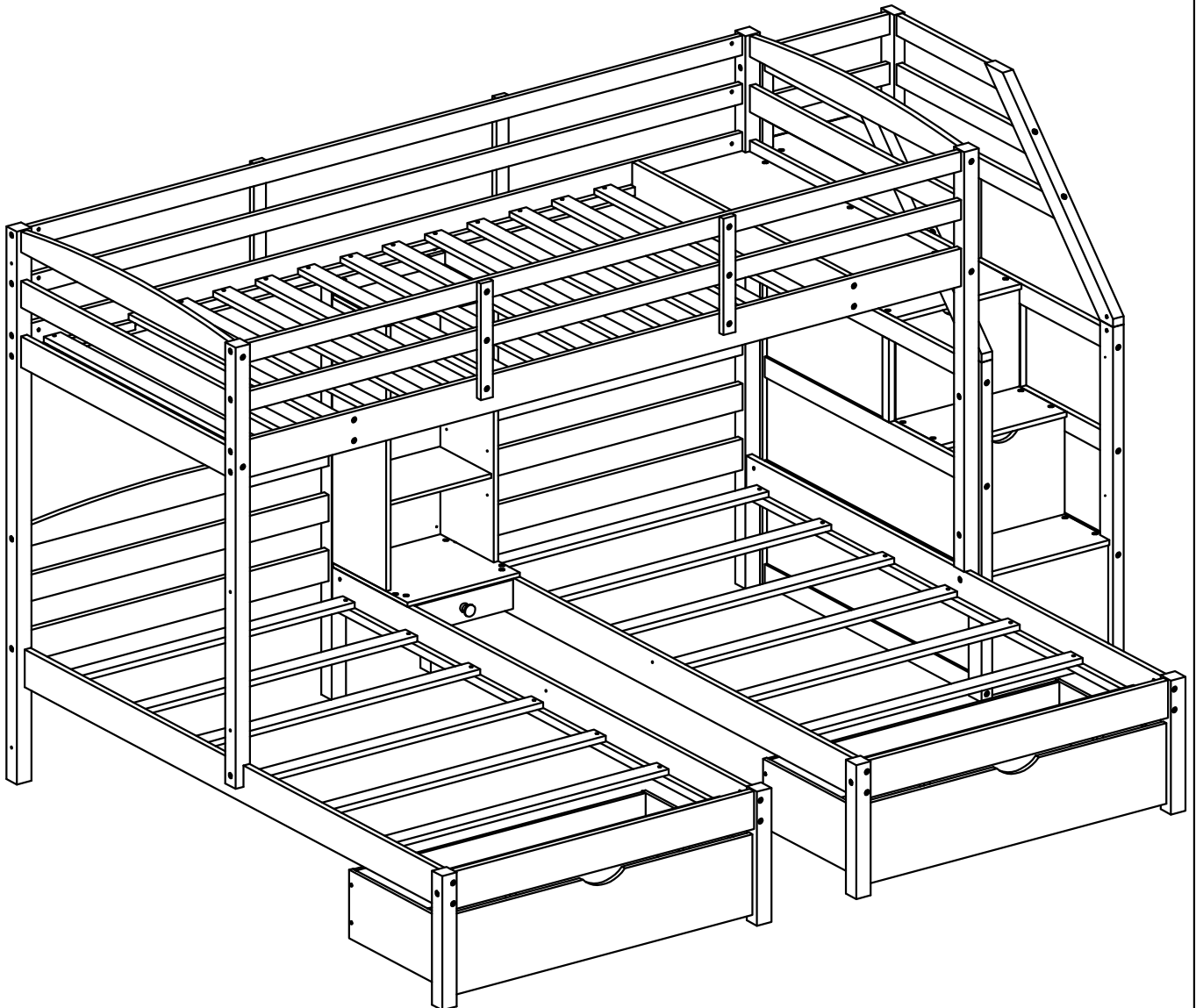


## ASSEMBLY INSTRUCTION

**This set is included 3 boxes if don't receive full 3 boxes please contact our customer service team**



# **! SAFETY WARNINGS !**

1. This bed is designed for use only mattress (es) meeting the following specifications on the upper bunk, and lower bunk

## **Upper bed**

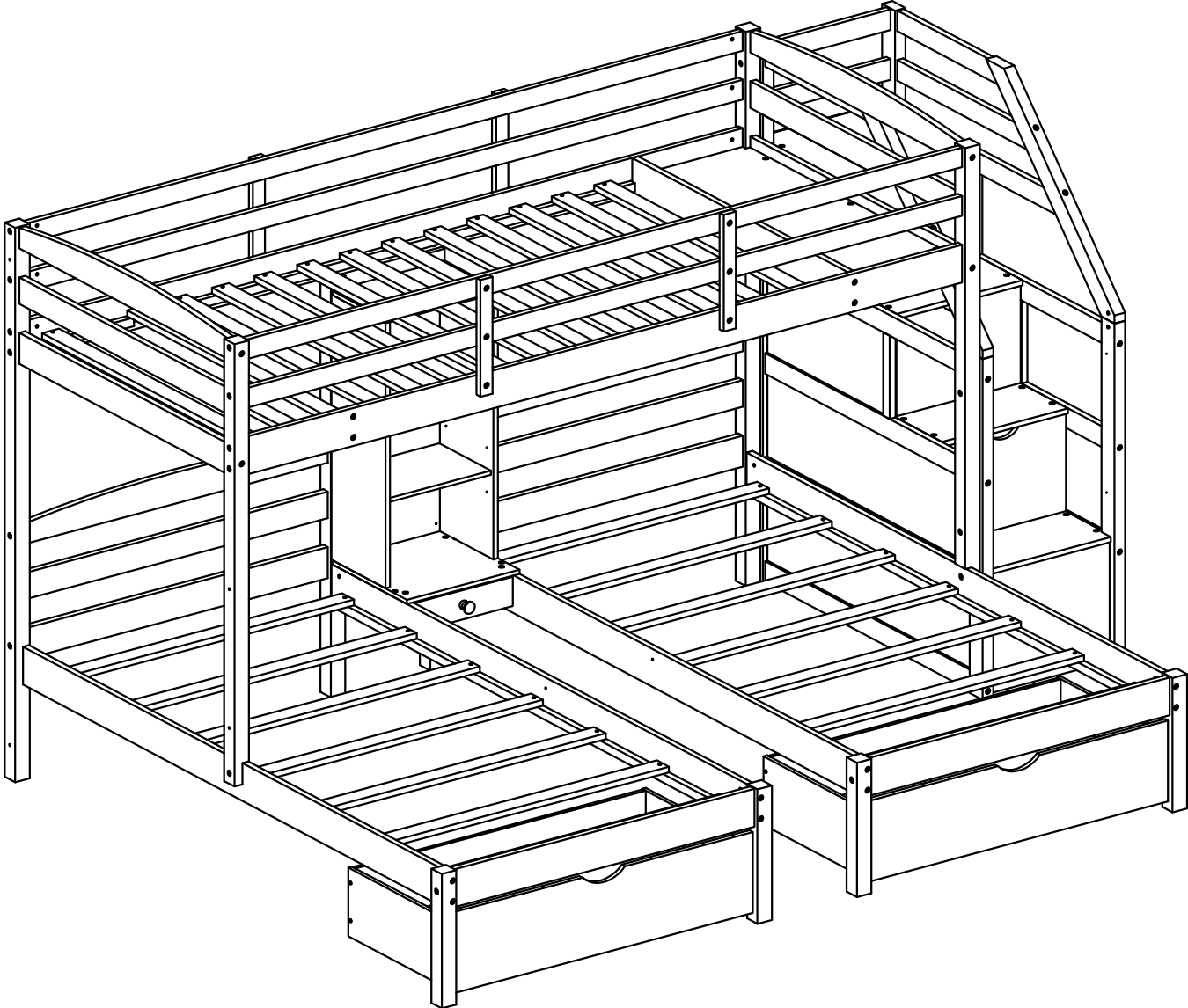
<b>Bed Type</b>	<b>Length</b>	<b>Width</b>	<b>Thickness</b>
<i>Twin XL Standard</i>	<i>79" - 80"</i>	<i>38 1/2"</i>	<i>6" max</i>

## **Lower bed**

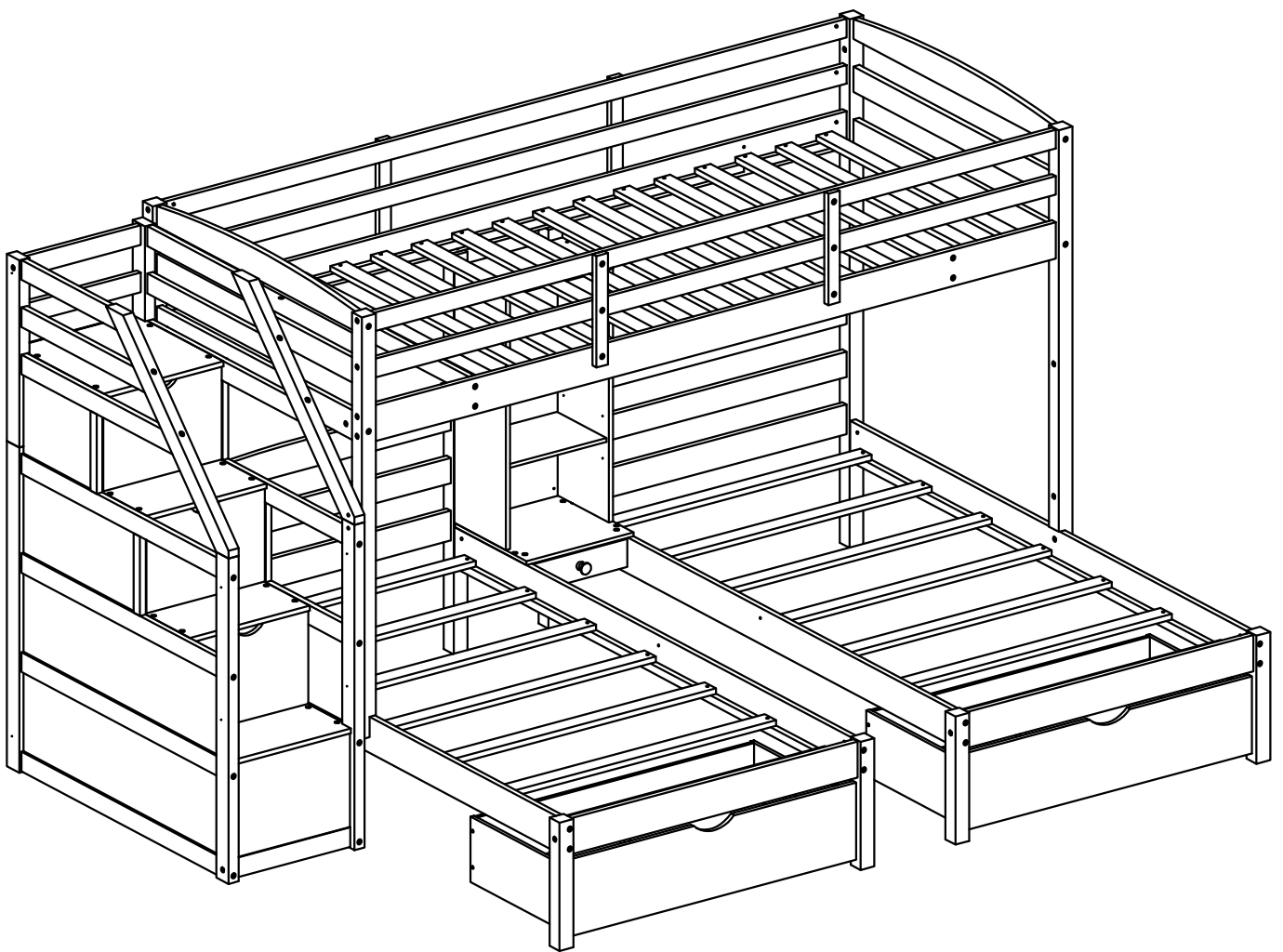
<b>Bed Type</b>	<b>Length</b>	<b>Width</b>	<b>Thickness</b>
<i>Twin Standard</i>	<i>74" - 75"</i>	<i>38 1/2"</i>	<i>8" max</i>

2. Replacement parts, including additional guardrails, maybe obtained from any of our dealers
3. Follow the information on the warnings appearing on the upper bunk bed end structure and on the carton. Do not remove warning label from bed
4. Always use the recommended size mattresses or mattress supports, or both, to help prevent the likelihood of entrapment or falls.
5. Surface of mattress must be at least 5" (127mm) below the upper edge of guardrails
6. Do not allow children under 6 years of age to use the upper bunk.
7. Periodically check and ensure that the guardrail, ladder, and other components are in their proper position, free from damage, and that all connectors are tight.
8. Do not allow horseplay on or under the bed and prohibit jumping on the bed.
9. Always use the ladder for entering and leaving the upper bunkAlways use the ladder for entering and leaving the upper bunk.
10. Do not use substitute part. Contact the manufacture or dealer for replacement part
11. Use of a night light may provide added safety precaution for a child using the upper bunk..
12. Always use guardrails on both long sides of the upper bunk. If the bunk bed will be placed next to the wall, the guardrail that runs the full length of the bed should be placed against the wall to prevent entrapment between the bed and wall.
13. The use of water or sleep flotation mattresses is prohibited
14. **STRANGULATION HAZARD** - Never attach or hang items to any part of the bunk bed that are not designed for use with the bed; for example, but not limited to, hook, belts and jump ropes
15. Keep these instruction for future reference
16. Prohibit more than one person on upper bunk
17. We recommend assembling your bunk bed on the shipping carton to protect your floor or carpet
18. Be certain all staples are out of the box before beginning assembly on the shipping carton.

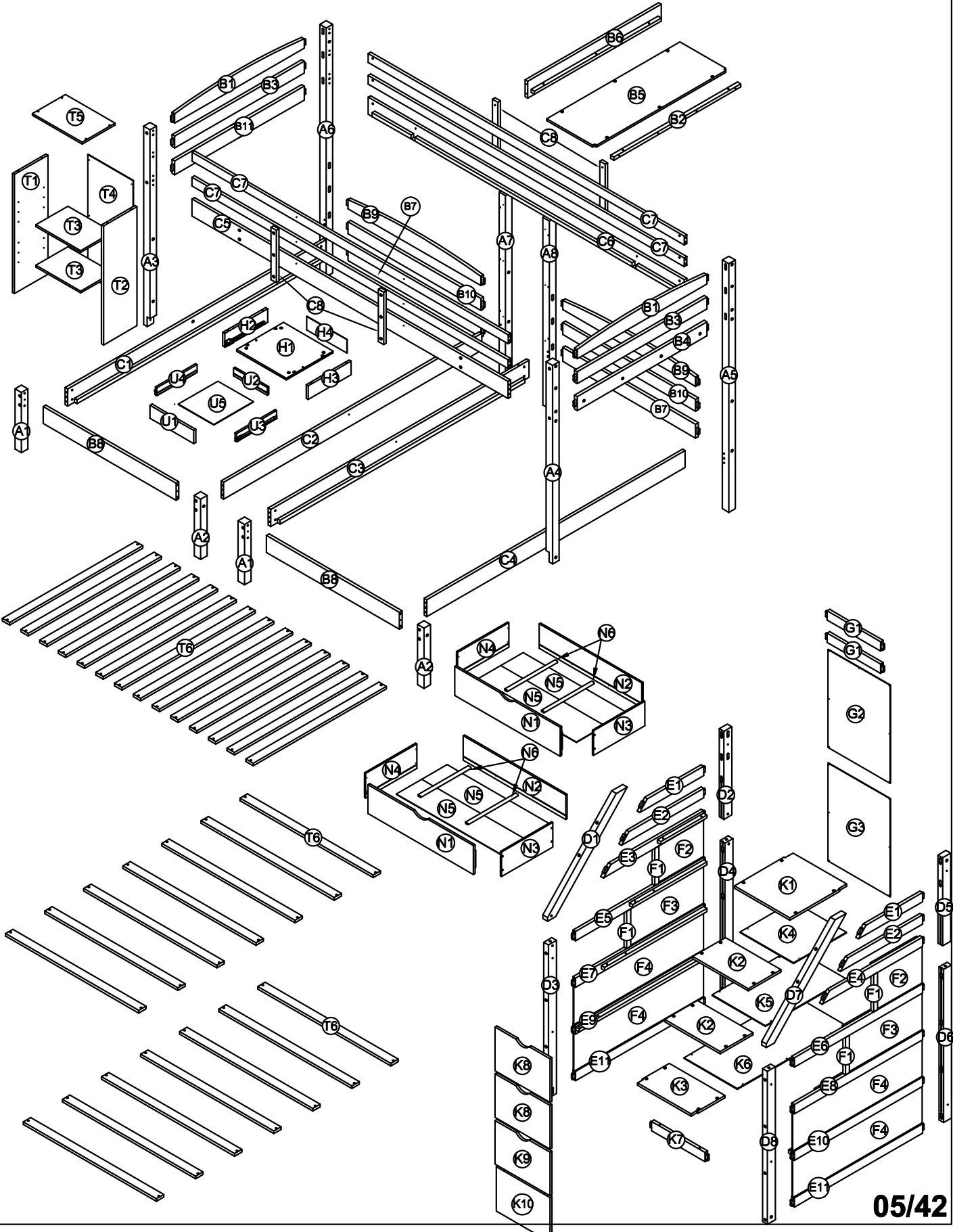
# OPTION 1: STAIR IN RIGHT




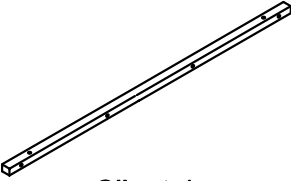
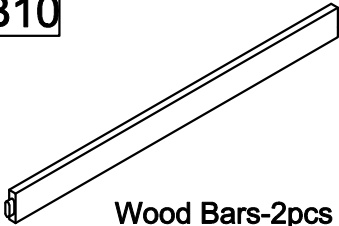
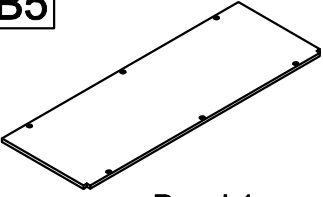
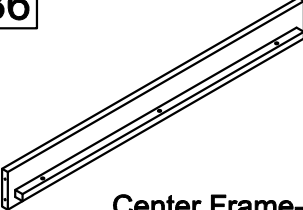


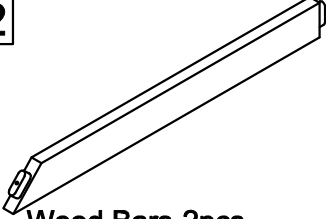
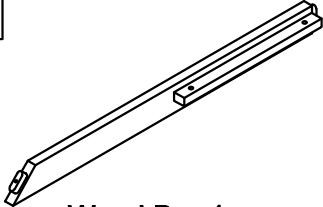
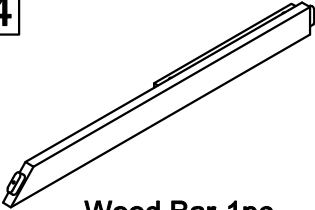
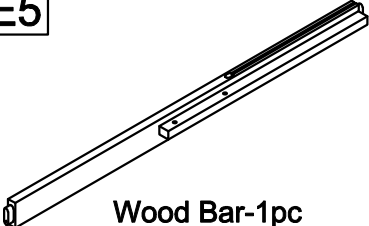
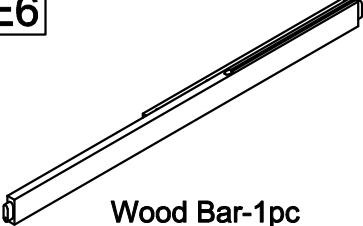
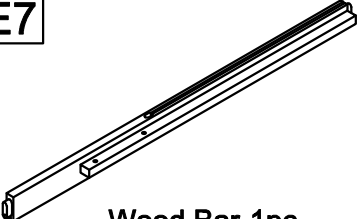
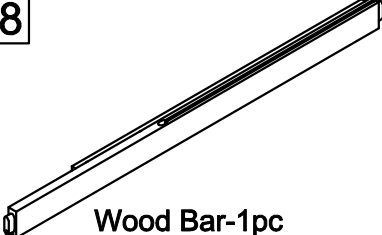


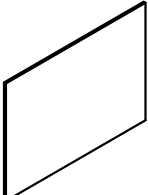
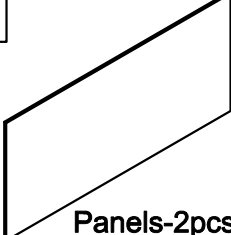
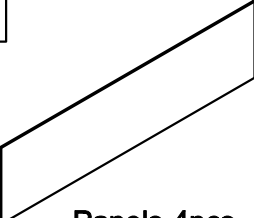
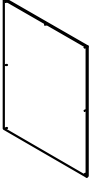
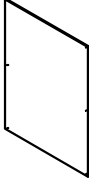
# OPTION 2: STAIR IN LEFT



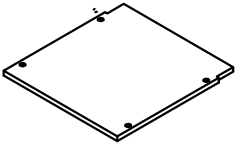
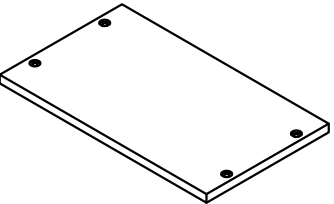
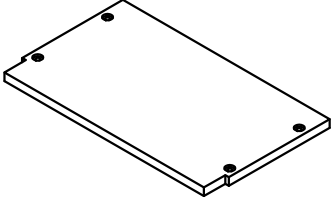
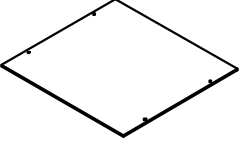
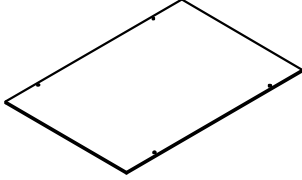
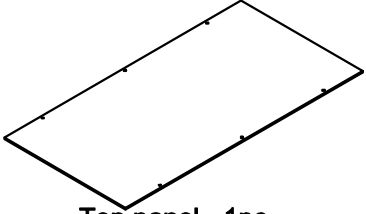
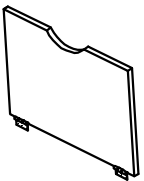
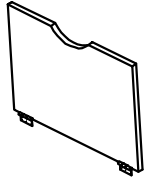
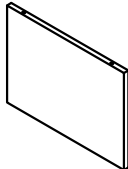
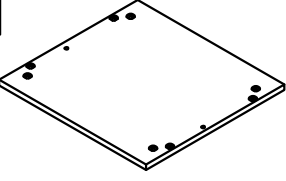
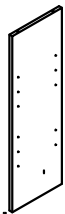

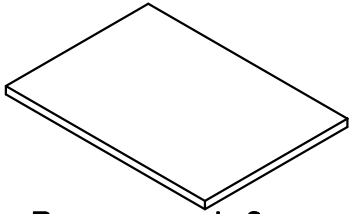
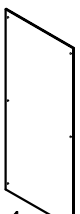
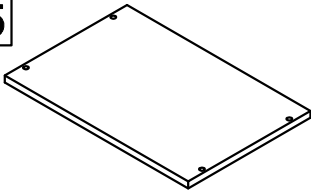
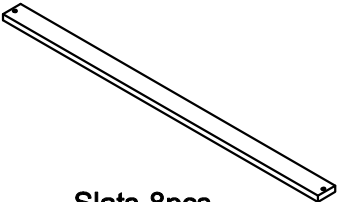
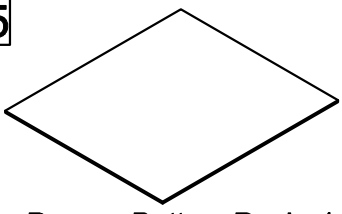
# ASSEMBLY INSTRUCTION












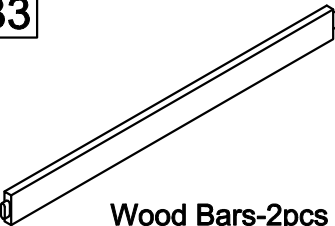
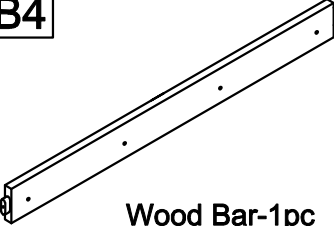

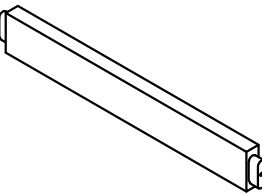
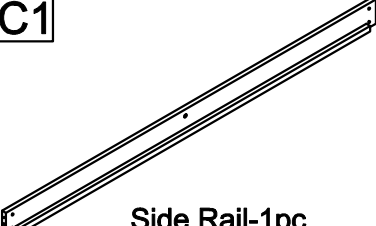
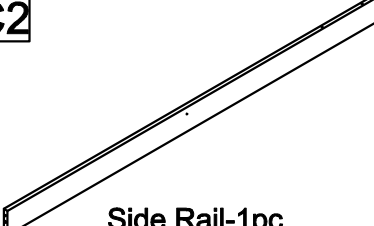
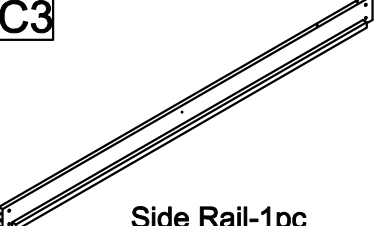
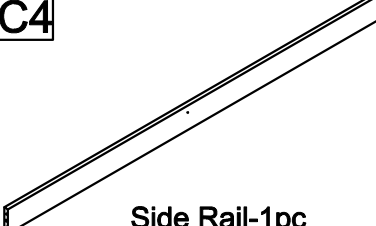

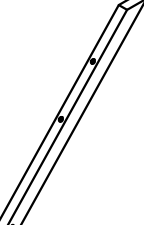
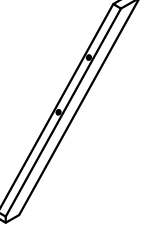
# Part List

<p><b>B1</b></p>  <p>Wood Bars-2pcs</p>	<p><b>B2</b></p>  <p>Client-1pc</p>	<p><b>B10</b></p>  <p>Wood Bars-2pcs</p>
<p><b>B5</b></p>  <p>Panel-1pc</p>	<p><b>B6</b></p>  <p>Center Frame-1pc</p>	<p><b>D3</b></p>  <p>Leg-1pc</p>
<p><b>D8</b></p>  <p>Leg-1pc</p>	<p><b>E2</b></p>  <p>Wood Bars-2pcs</p>	<p><b>E3</b></p>  <p>Wood Bar-1pc</p>
<p><b>E4</b></p>  <p>Wood Bar-1pc</p>	<p><b>E5</b></p>  <p>Wood Bar-1pc</p>	<p><b>E6</b></p>  <p>Wood Bar-1pc</p>
<p><b>E7</b></p>  <p>Wood Bar-1pc</p>	<p><b>E8</b></p>  <p>Wood Bar-1pc</p>	<p><b>E9</b></p>  <p>Wood Bar-1pc</p>
<p><b>E10</b></p>  <p>Wood Bar-1pc</p>	<p><b>F2</b></p>  <p>Panels-2pcs</p>	<p><b>F3</b></p>  <p>Panels-2pcs</p>
<p><b>F4</b></p>  <p>Panels-4pcs</p>	<p><b>G2</b></p>  <p>Back panel - 1Pcs</p>	<p><b>G3</b></p>  <p>Back panel - 1Pcs</p>

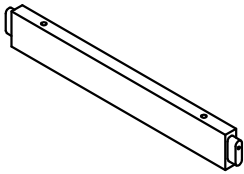
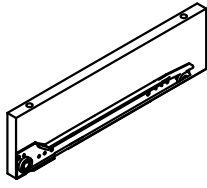
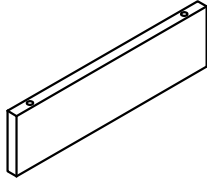
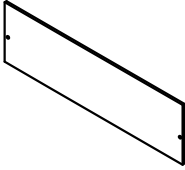
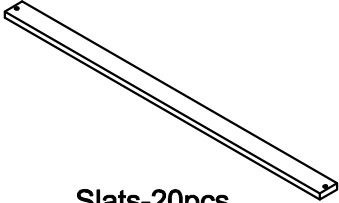
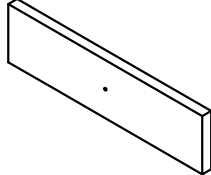
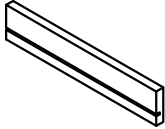
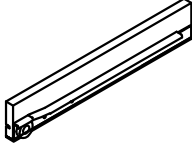
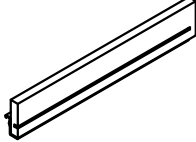
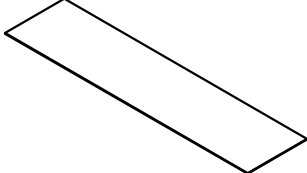
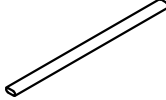
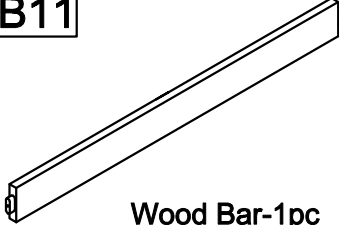
# Part List

<p><b>K1</b></p>  <p>Top panel - 1pc</p>	<p><b>K2</b></p>  <p>Top panels - 2pcs</p>	<p><b>K3</b></p>  <p>Top panel - 1pc</p>
<p><b>K4</b></p>  <p>Top panel - 1pc</p>	<p><b>K5</b></p>  <p>Top panel - 1pc</p>	<p><b>K6</b></p>  <p>Top panel - 1pc</p>
<p><b>K8</b></p>  <p>Front panels-2pcs</p>	<p><b>K9</b></p>  <p>Front panel-1pc</p>	<p><b>K10</b></p>  <p>Front panel-1pc</p>
<p><b>H1</b></p>  <p>Panle-1pc</p>	<p><b>T1</b></p>  <p>Side panel-1pc</p>	<p><b>T2</b></p>  <p>Side panel-1pc</p>
<p><b>T3</b></p>  <p>Remove panels-2pcs</p>	<p><b>T4</b></p>  <p>Back panel-1pc</p>	<p><b>T5</b></p>  <p>Top panel-1pc</p>
<p><b>T6</b></p>  <p>Slats-8pcs</p>	<p><b>U5</b></p>  <p>Drawer-Bottom Panle-1pc</p>	

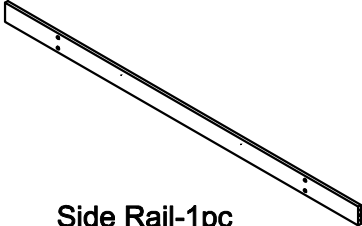
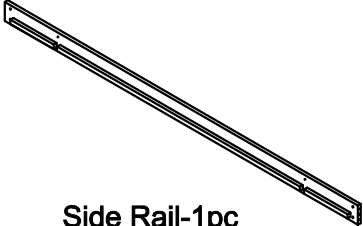
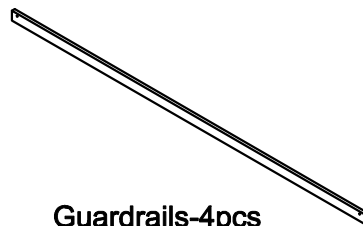




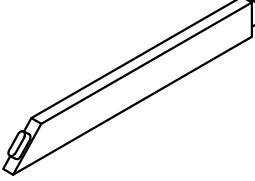


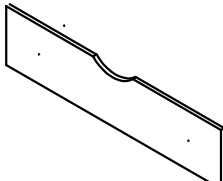
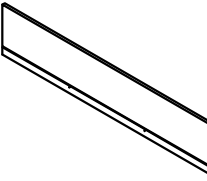
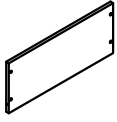
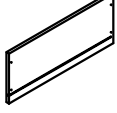
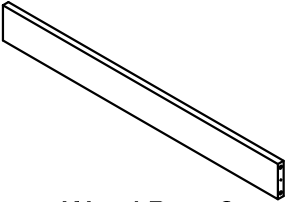
# Part List & Hardware List

<p><b>A1</b></p>  <p>Legs-2pcs</p>	<p><b>A2</b></p>  <p>Legs-2pcs</p>	<p><b>A3</b></p>  <p>Leg-1pc</p>
<p><b>A4</b></p>  <p>Leg-1pc</p>	<p><b>A5</b></p>  <p>Leg-1pc</p>	<p><b>A6</b></p>  <p>Leg-1pc</p>
<p><b>A7</b></p>  <p>Leg-1pc</p>	<p><b>A8</b></p>  <p>Leg-1pc</p>	<p><b>B9</b></p>  <p>Wood Bars-2pcs</p>
<p><b>B3</b></p>  <p>Wood Bars-2pcs</p>	<p><b>B4</b></p>  <p>Wood Bar-1pc</p>	<p><b>B7</b></p>  <p>Wood Bars-2pcs</p>
<p><b>G1</b></p>  <p>Horizontal bar - 2Pcs</p>	<p><b>C1</b></p>  <p>Side Rail-1pc</p>	<p><b>C2</b></p>  <p>Side Rail-1pc</p>
<p><b>C3</b></p>  <p>Side Rail-1pc</p>	<p><b>C4</b></p>  <p>Side Rail-1pc</p>	<p><b>C8</b></p>  <p>Rails-4pcs</p>
<p><b>D1</b></p>  <p>Leg-1pc</p>	<p><b>D7</b></p>  <p>Leg-1pc</p>	


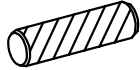



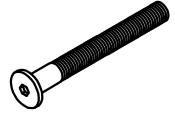




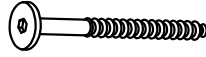



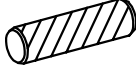
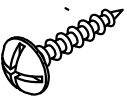
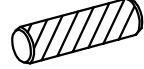
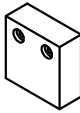
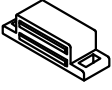


# Part List & Hardware List

<p><b>K7</b></p>  <p>Horizontal bar - 1Pc</p>	<p><b>H2</b></p>  <p>Side Panle-1pc</p>	<p><b>H3</b></p>  <p>Side Panle-1pc</p>
<p><b>H4</b></p>  <p>Back Panle-1pc</p>	<p><b>T6</b></p>  <p>Slats-20pcs</p>	<p><b>U1</b></p>  <p>Drawer-Front Panle-1pc</p>
<p><b>U2</b></p>  <p>Drawer-Back Panle-1pc</p>	<p><b>U3</b></p>  <p>Drawer-Side Panle-1pc</p>	<p><b>U4</b></p>  <p>Drawer-Side Panle-1pc</p>
<p><b>N5</b></p>  <p>Drawer-Bottom Panel-4pcs</p>	<p><b>N6</b></p>  <p>Drawer-Support Bottom Panel-4pcs</p>	<p><b>B11</b></p>  <p>Wood Bar-1pc</p>

# Part List

<p><b>C5</b></p>  <p>Side Rail-1pc</p>	<p><b>C6</b></p>  <p>Side Rail-1pc</p>	<p><b>C7</b></p>  <p>Guardrails-4pcs</p>
<p><b>D2</b></p>  <p>Leg-1pc</p>	<p><b>D4</b></p>  <p>Leg-1pc</p>	<p><b>D5</b></p>  <p>Leg-1pc</p>
<p><b>D6</b></p>  <p>Leg-1pc</p>	<p><b>E1</b></p>  <p>Wood Bars-2pcs</p>	<p><b>E11</b></p>  <p>Wood Bars-2pcs</p>
<p><b>F1</b></p>  <p>Horizontal bar - 4Pcs</p>	<p><b>N1</b></p>  <p>Drawer-Front Panel-2pcs</p>	<p><b>N2</b></p>  <p>Drawer-Back Panel-2pcs</p>
<p><b>N3</b></p>  <p>Drawer-Side Panel-2pcs</p>	<p><b>N4</b></p>  <p>Drawer-Side Panel-2pcs</p>	<p><b>B8</b></p>  <p>Wood Bars-2pcs</p>

# Hardware List

<p>1</p>  <p>M4 x 30 mm Wood Screws 96pcs</p>	<p>2</p>  <p>Ø10 x 40 mm Wood dowel 28pcs</p>	<p>3</p>  <p>Screws 1/4" x80 30pcs</p>
<p>4</p>  <p>Screws 1/4" x70 24pcs</p>	<p>5</p>  <p>Ø1/4" x 35 mm Hex-Head bolts 6pcs</p>	<p>6</p>  <p>Ø1/4" x 100 mm Hex-Head bolts 32pcs</p>
<p>7</p>  <p>Ø1/4" x 13 mm Horizontal-Hole bolts 32pcs</p>	<p>8</p>  <p>Allen Key 1pc</p>	<p>9</p>  <p>Ø1/4" x 15 mm Canopy head though -2pcs</p>
<p>10</p>  <p>Screws 1/4" x30 30pcs</p>	<p>11</p>  <p>Screws 1/4" x50 8pcs</p>	<p>12</p>  <p>Ø1/4" x 25 mm Hex-Head bolts 18pcs</p>
<p>13</p>  <p>Ø1/4" x 60 mm Hex-Head bolts 6pcs</p>	<p>14</p>  <p>Dowel Remove Shelves 8pcs</p>	<p>15</p>  <p>Ø8 x 30 mm Wood dowel 10pcs</p>
<p>16</p>  <p>M4 x 15 mm Wood Screws 43pcs</p>	<p>17</p>  <p>Ø12 x 70 mm Wood dowel 4pcs</p>	<p>18</p>  <p>Stop Drawer-4pcs</p>
<p>19</p>  <p>Door Catches(45x17x13) 6pcs</p>	<p>20</p>  <p>Screw M4 x 20 mm 6pcs</p>	<p>21</p>  <p>Screw M3 x 12 mm 18pcs</p>

22



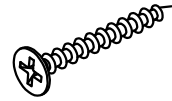
Ø1/6" x 25 mm  
Hex-Head bolts 1pc

23



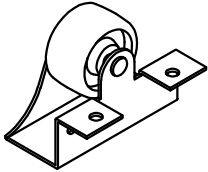
Handle Wood  
1pc

24

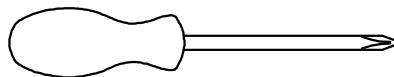


M3.5x 12 mm  
Wood Screws 32pcs

25



Wheels 8pcs



**Assembly Tools Required (Not Included)**



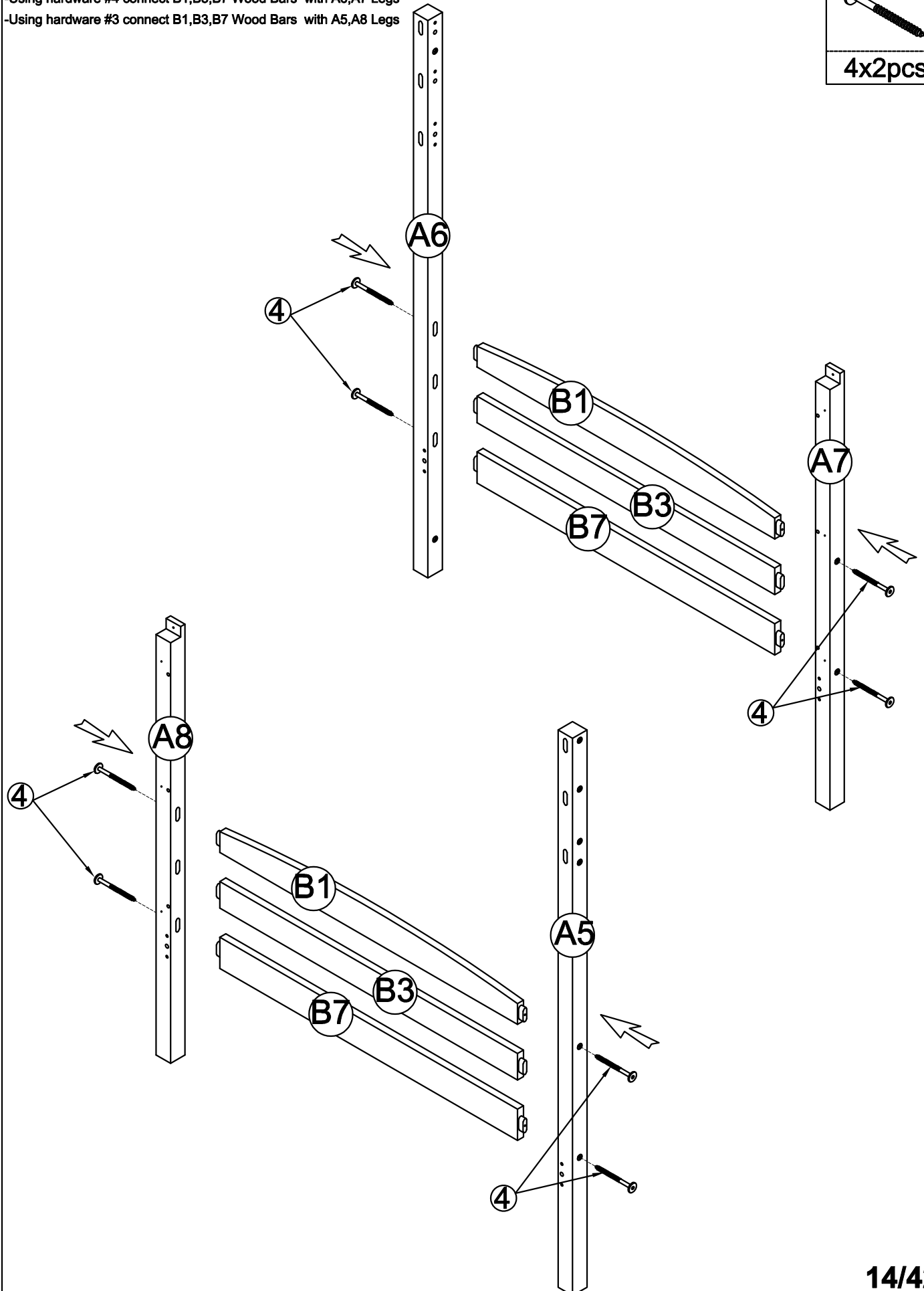
# STEP 2: Following below illustration Assembly Bottom bed's Headboard .

- Using hardware #4 connect B1,B3,B7 Wood Bars with A6,A7 Legs
- Using hardware #3 connect B1,B3,B7 Wood Bars with A5,A8 Legs

4



4x2pcs



# STEP 3(OPTION 1): Following below illustration

-Using hardware #4 connect B1,B3,B11 Wood Bars with A3 Leg

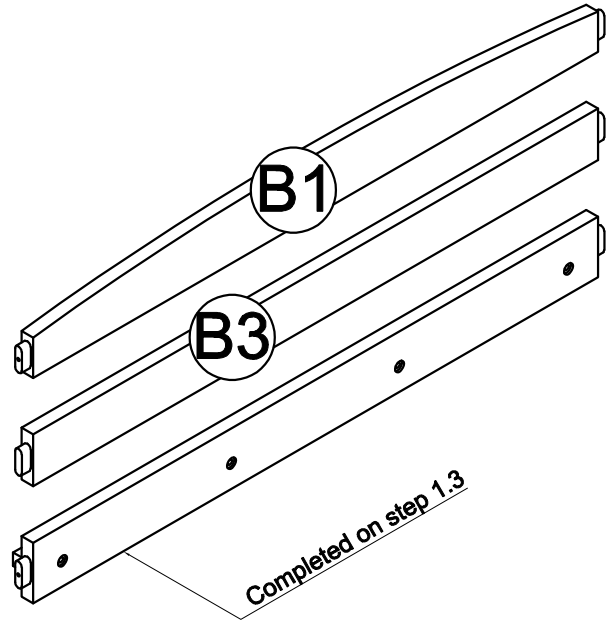
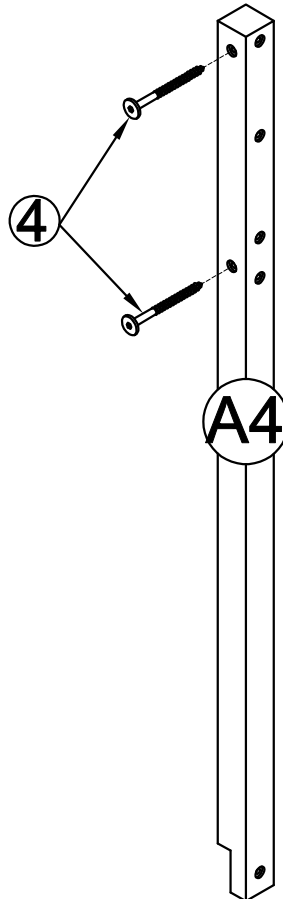
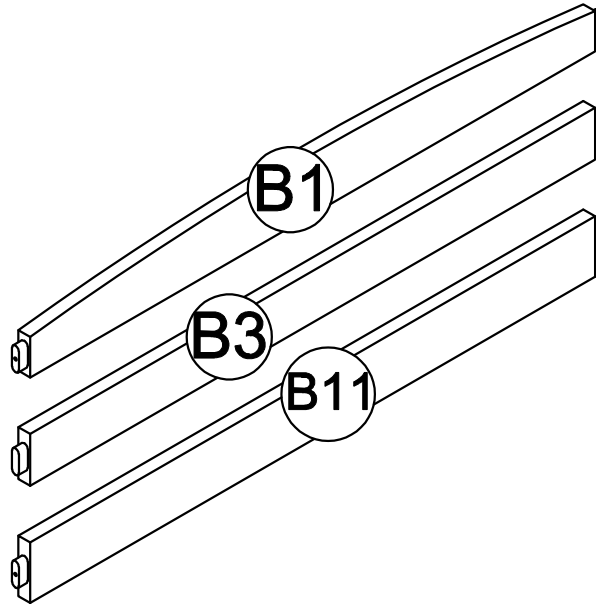
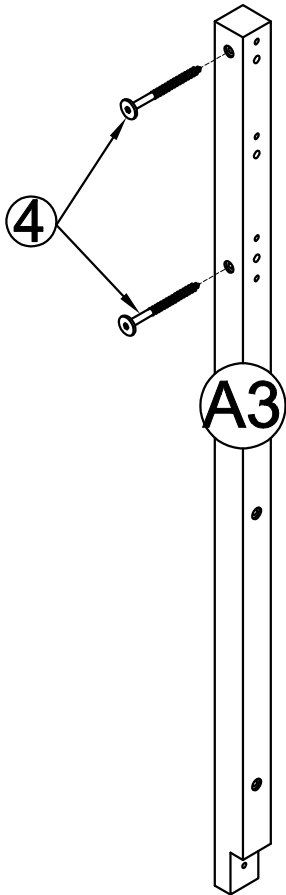
-Using hardware #4 connect B1,B3 Wood Bars and Frame(completed on step 1.3) with A4 Leg

4



4pcs

LEFT



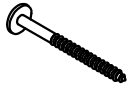
RIGHT

# STEP 3(OPTION 2): Following below illustration

-Using hardware #4 connect B1,B3 Wood Bars and Frame(completed on step 1.3) with A3 Leg

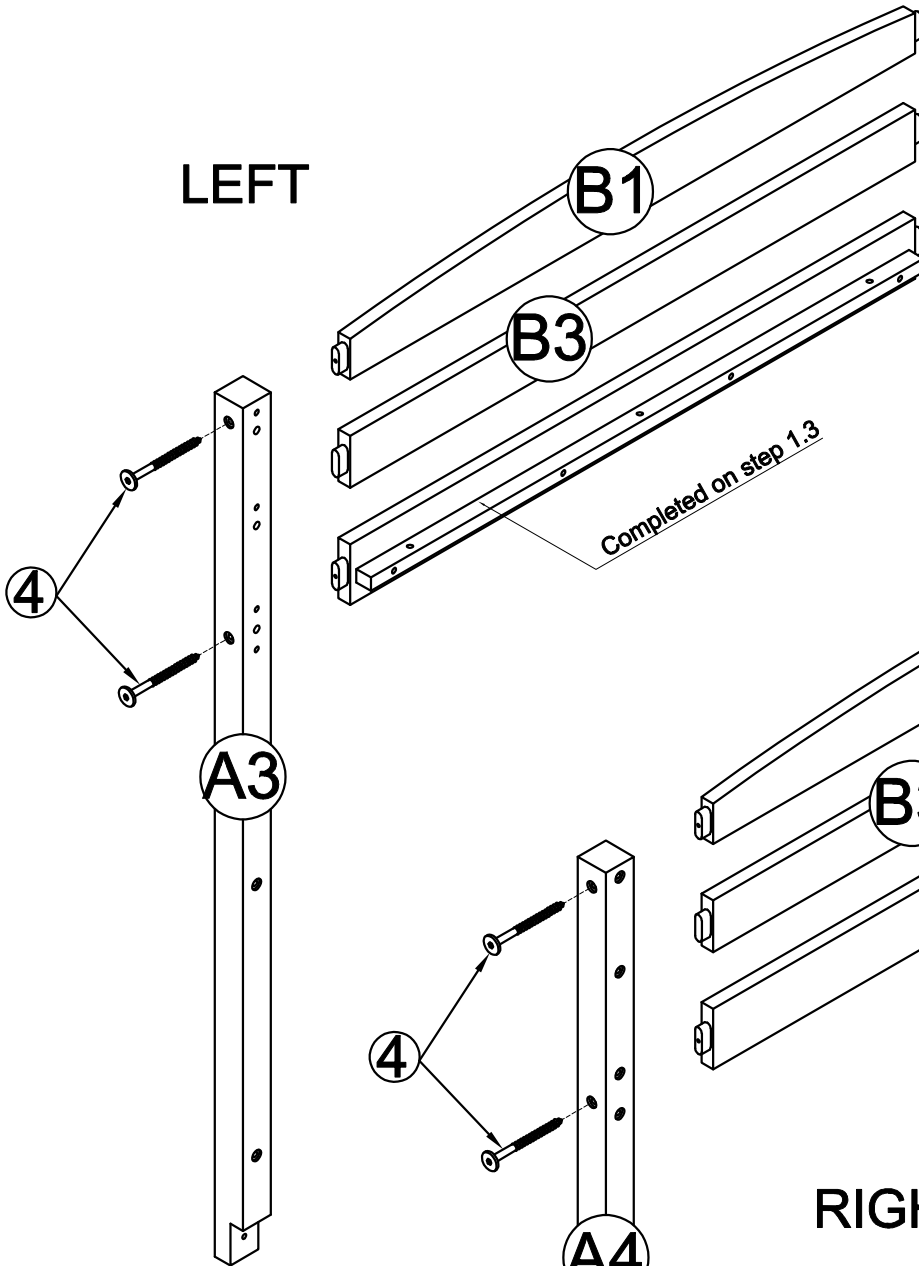
-Using hardware #4 connect B1,B3,B11 Wood Bars with A4 Leg

4

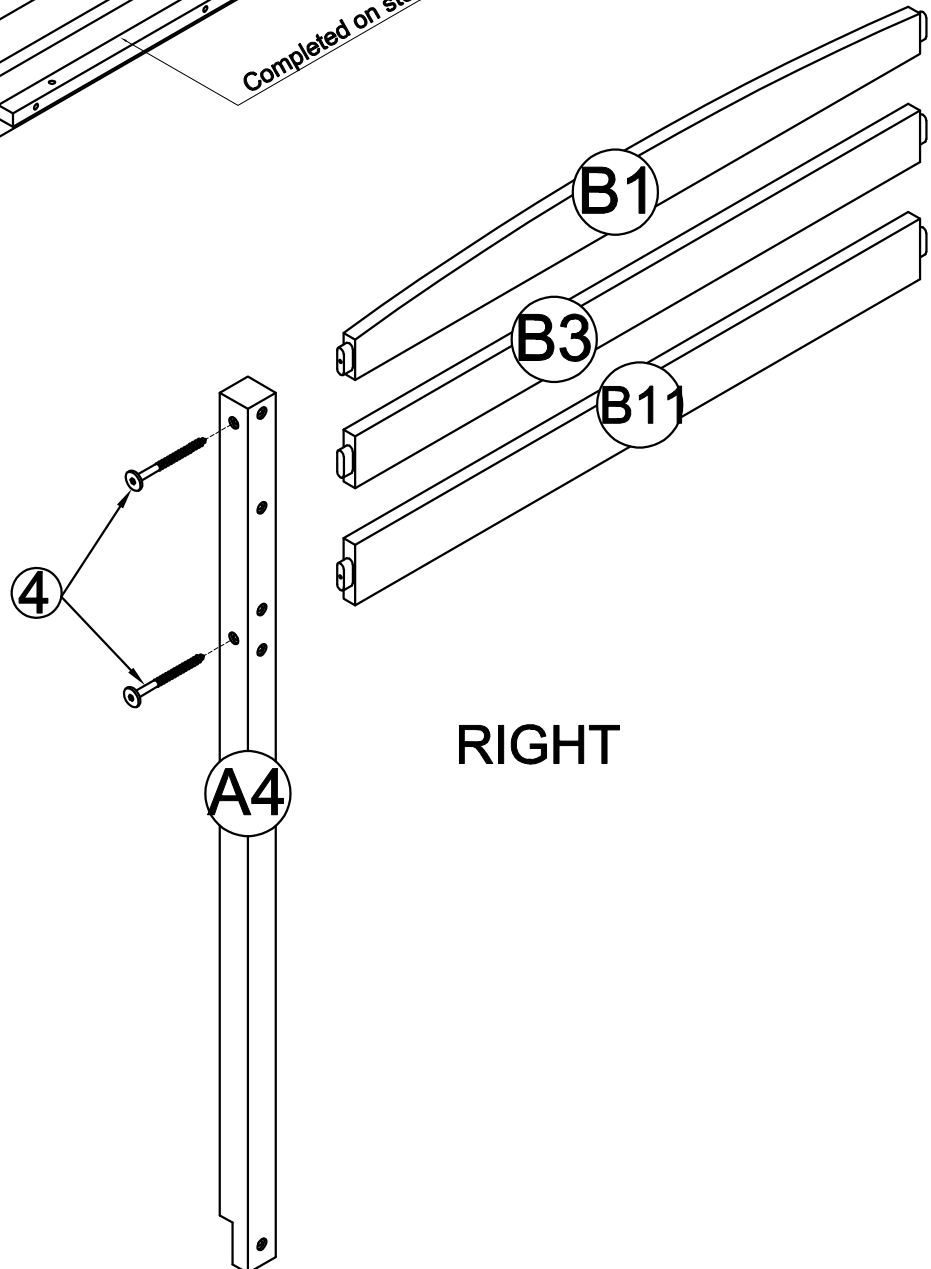


4pcs

LEFT

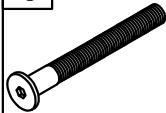




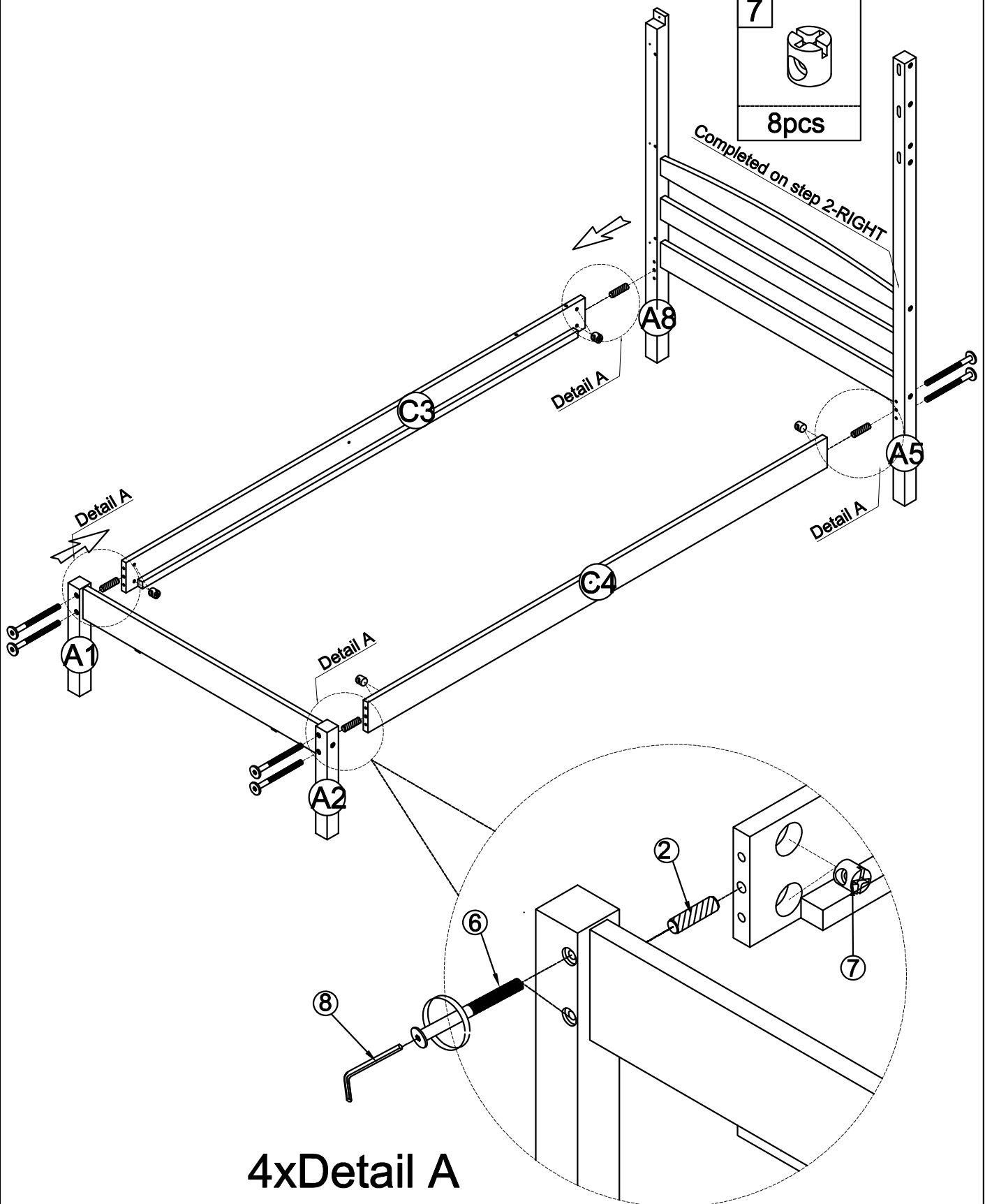
RIGHT



# STEP 4: Following below illustration:

- Using hardware #6,#7 and dowel #2 to Assembly Frames (Completed on step 1.2,step 2) with siderail C3,C4.
- Look at detail view for more detail




6		2	
8pcs		4pcs	
7			
8pcs			

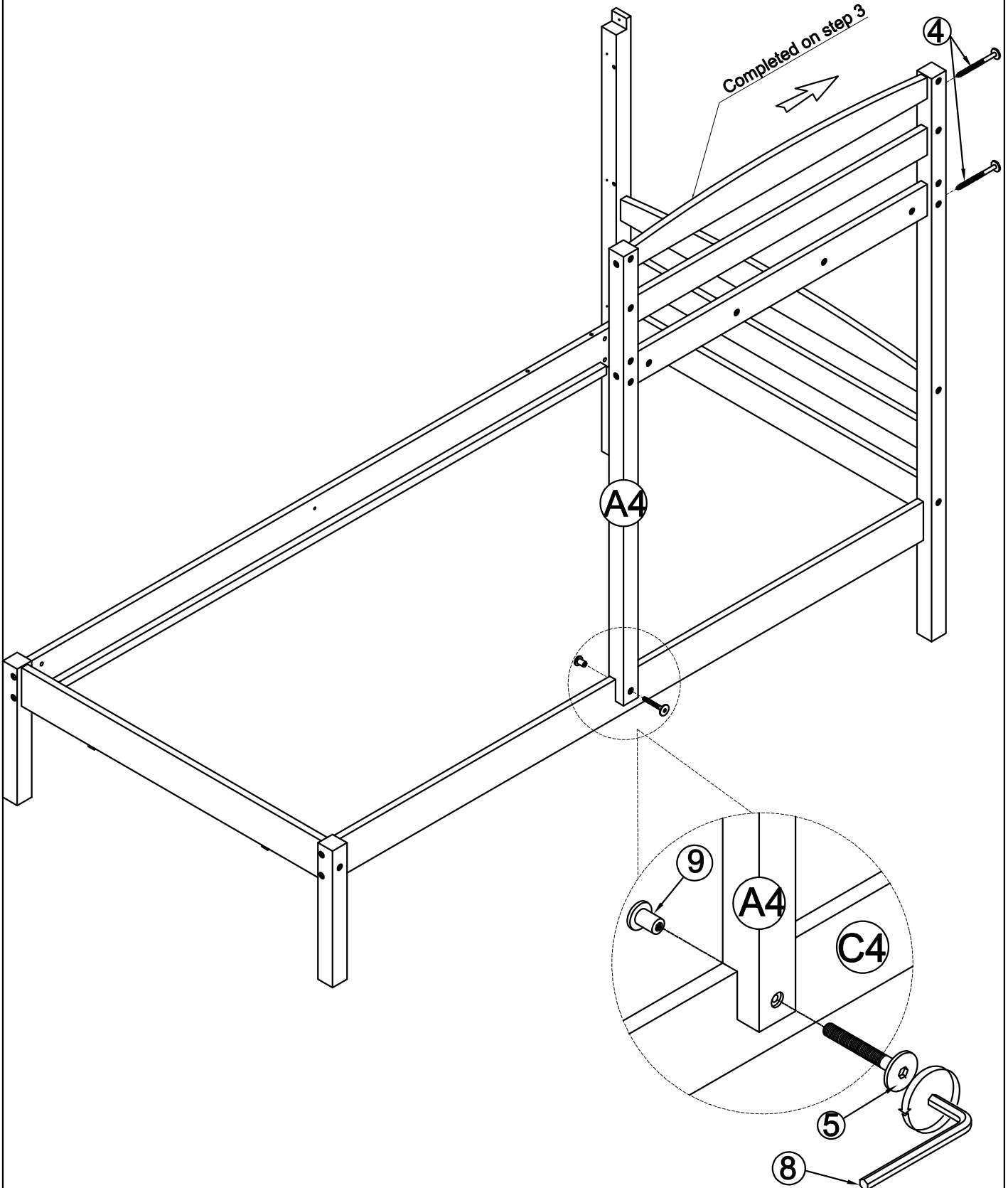


# STEP 5: Following below illustration

-Using hardware #4,#5,#9 connect Frame(completed on step 4 ) with Frame (completed on step 3)

-Look at detail view for more detail

9		5		4	
	1pc		1pc		2pcs



# STEP 6: Following below illustration:

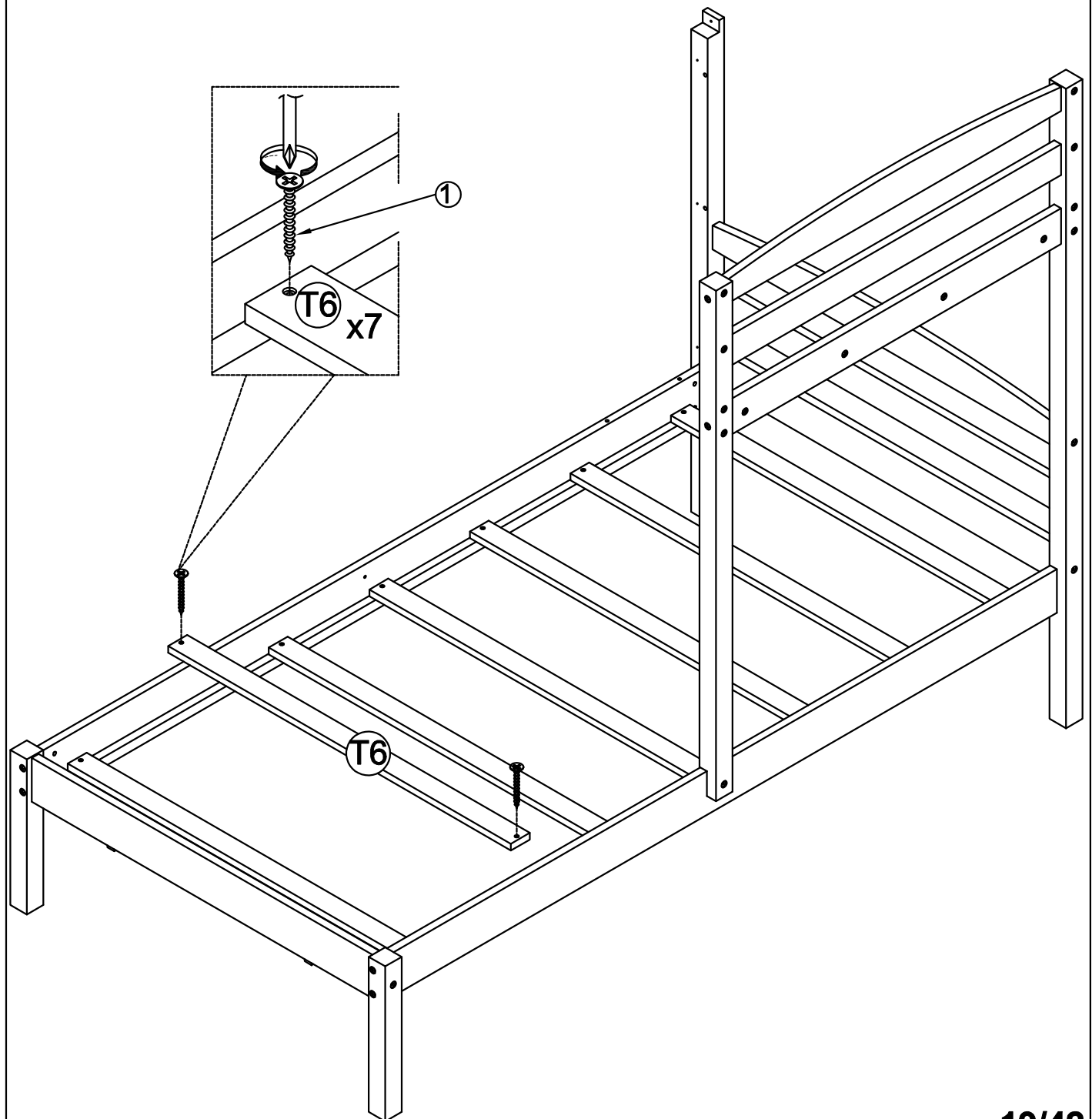
-Screw 7slats T6 with Side Rail C3,C4 by using hardward #1.

-Look at detail view for more detail

1



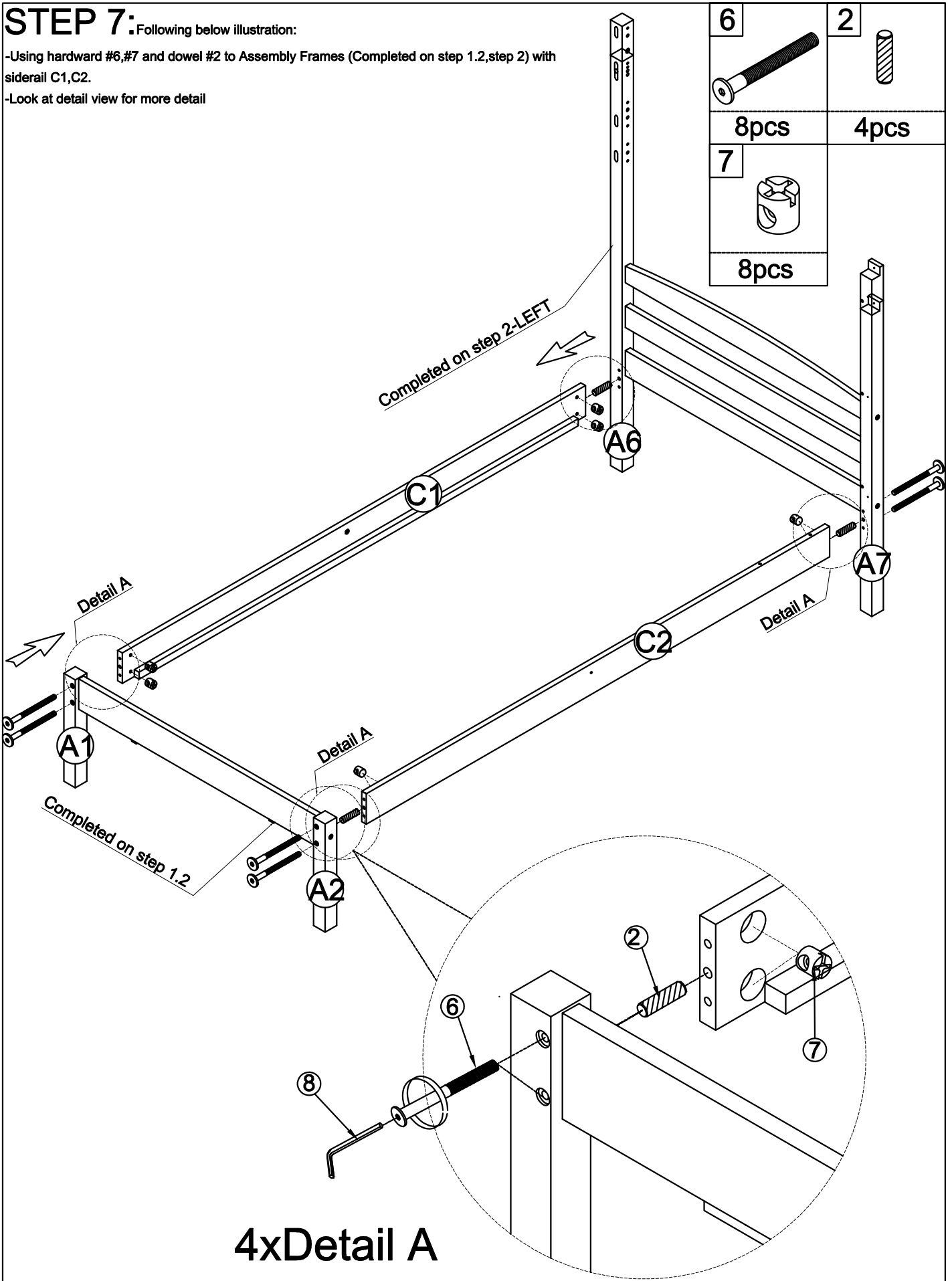
14pcs



# STEP 7: Following below illustration:




-Using hardware #6,#7 and dowel #2 to Assembly Frames (Completed on step 1.2,step 2) with siderail C1,C2.

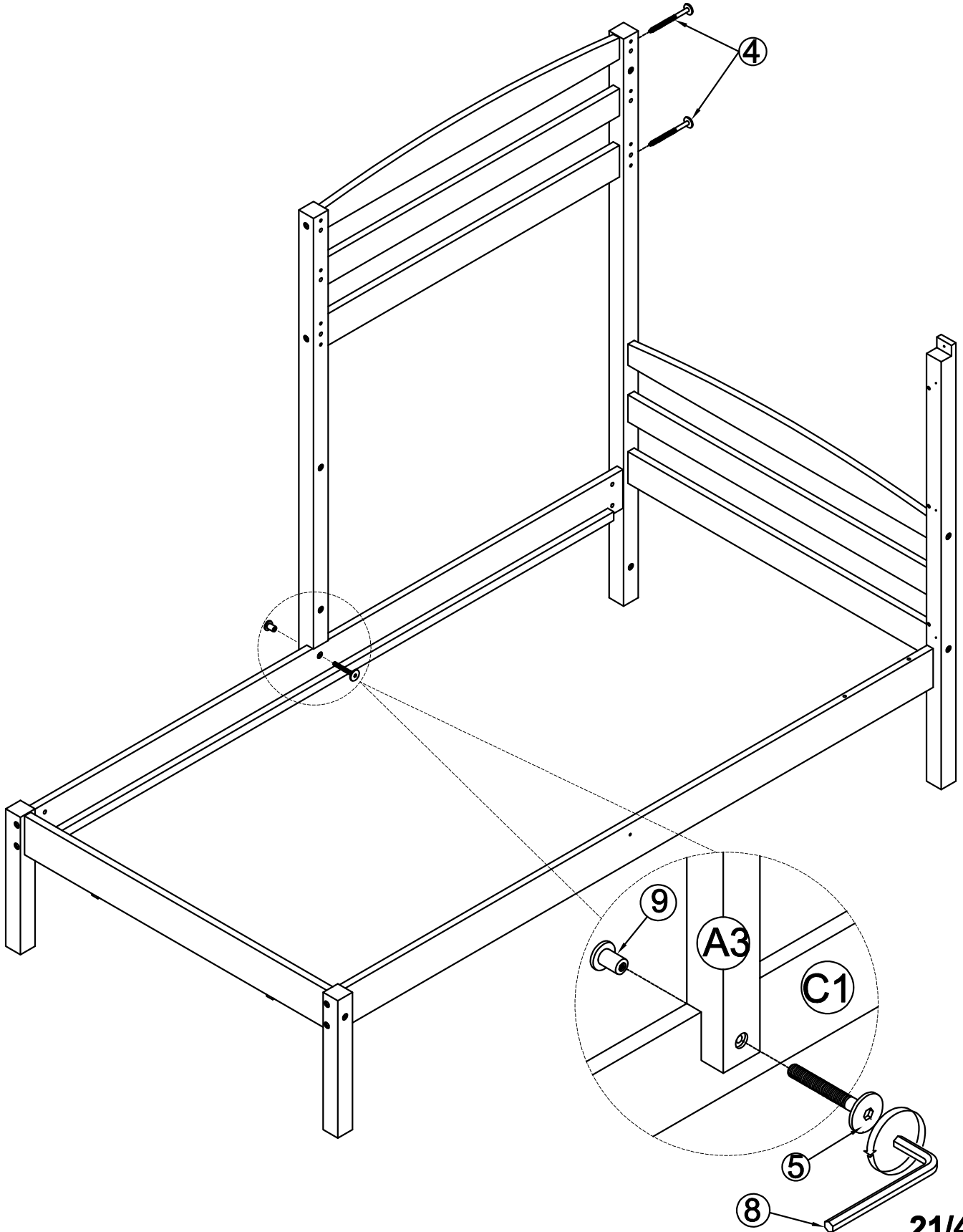
-Look at detail view for more detail



# STEP 8: Following below illustration

-Using hardware #4,#5,#9 connect Frame(completed on step 3 ) with Frame (completed on step 7)  
-Look at detail view for more detail

9	5	4
		
1pc	1pc	2pcs



# STEP 9:

Following below illustration:

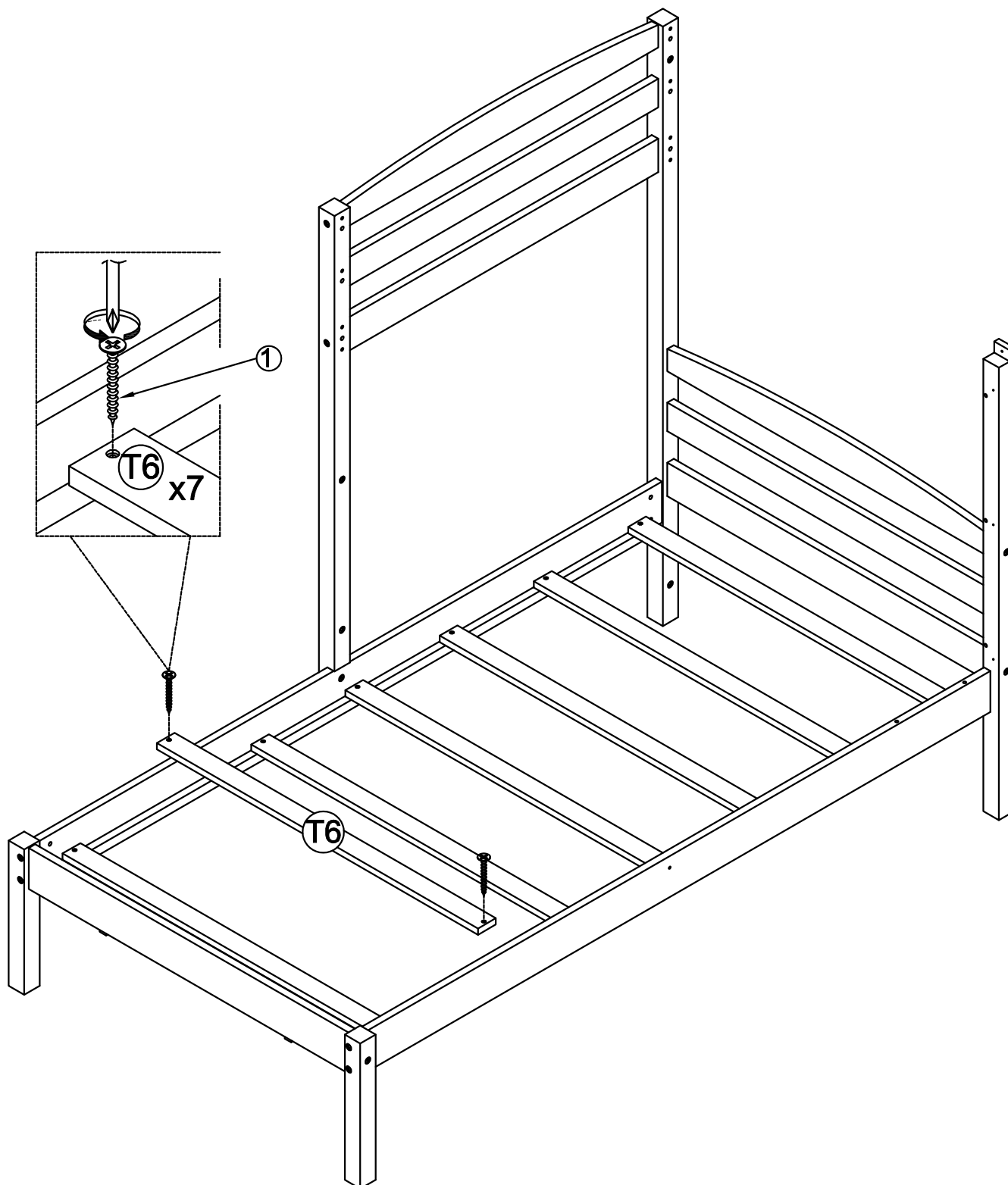
-Screw 7slats T6 with Side Rail C1,C2 by using hardward #1.

-Look at detail view for more detail

1



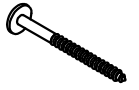
14pcs



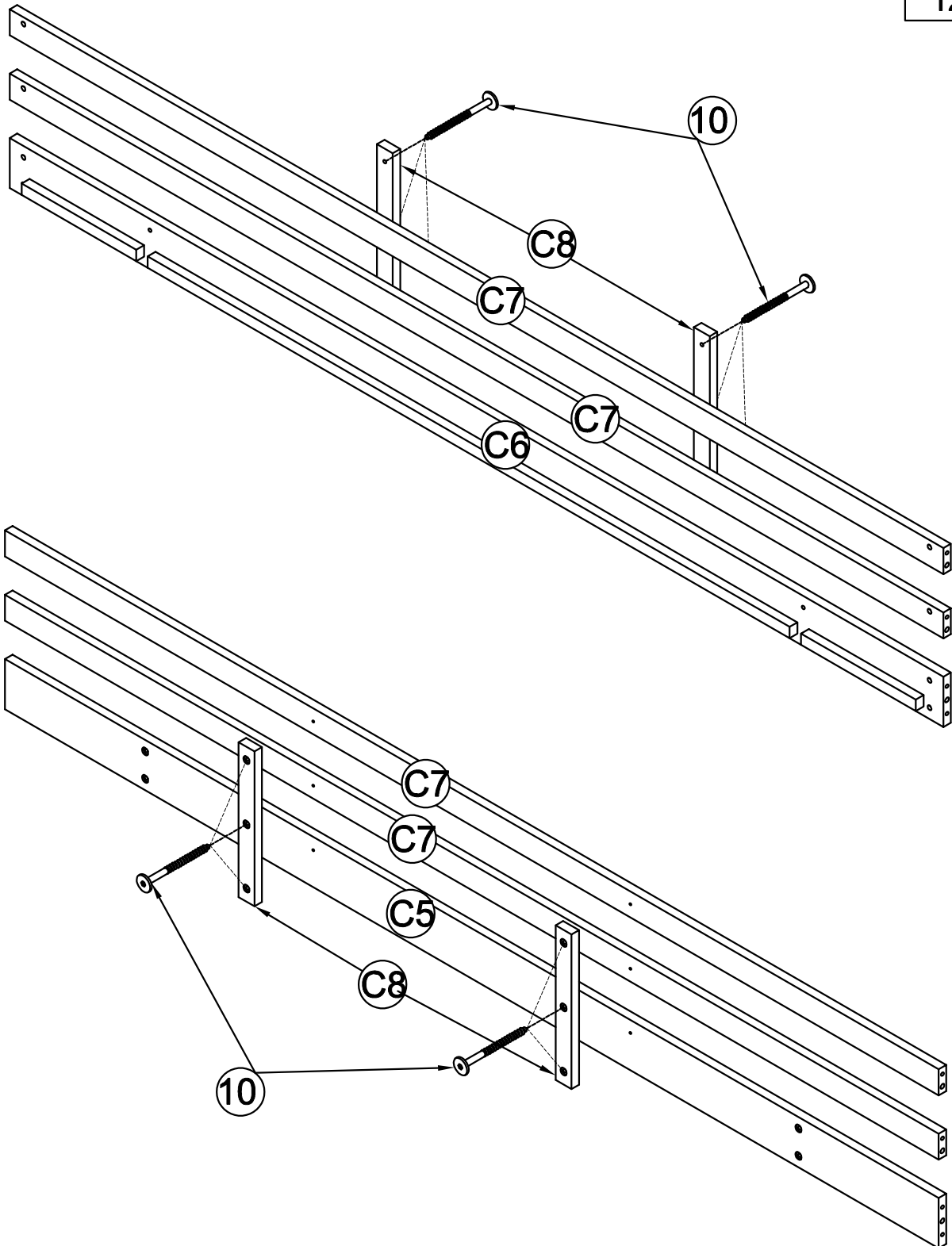
# STEP 10: Following below illustration:

- Using hardware #10 connect Side Rails C6 and Guardrails C7(x2) with Rails C8(x2)
- Using hardware #10 connect Side Rails C5 and Guardrails C7(x2) with Rails C8(x2)
- Look at detail view for more detail

10


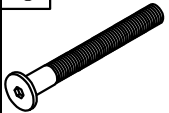




12pcs

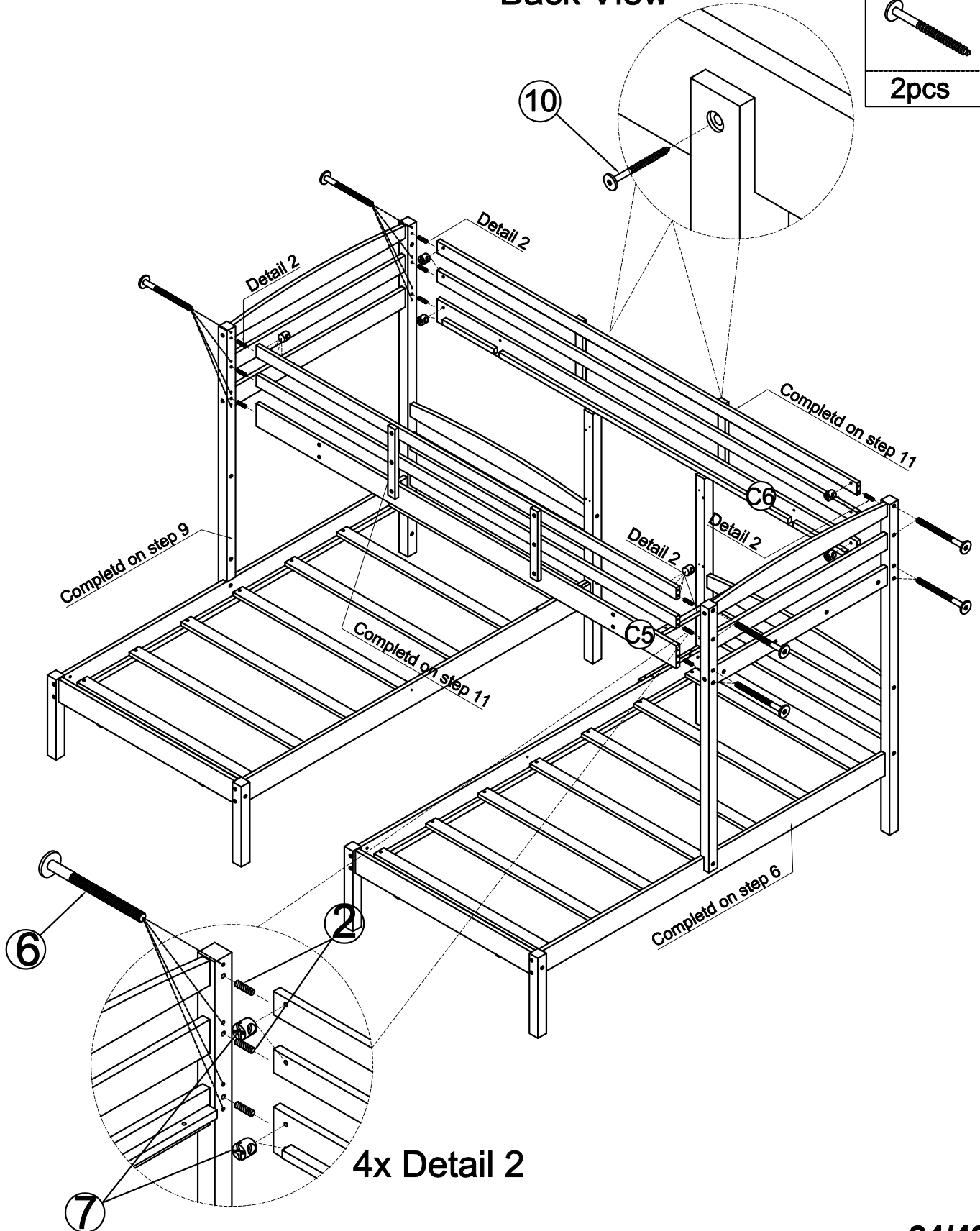


# STEP 11: Following below illustration:

-Using hardware #6, #7, #10 and dowel #2 connect Frames (Completed on step 6, step 9) with Frame (Completed on step 10).  
 -Look at detail view for more detail

<p>7</p>  <p>16pcs</p>	<p>6</p>  <p>16pcs</p>	<p>2</p>  <p>12pcs</p>
		<p>10</p>  <p>2pcs</p>

## Back View



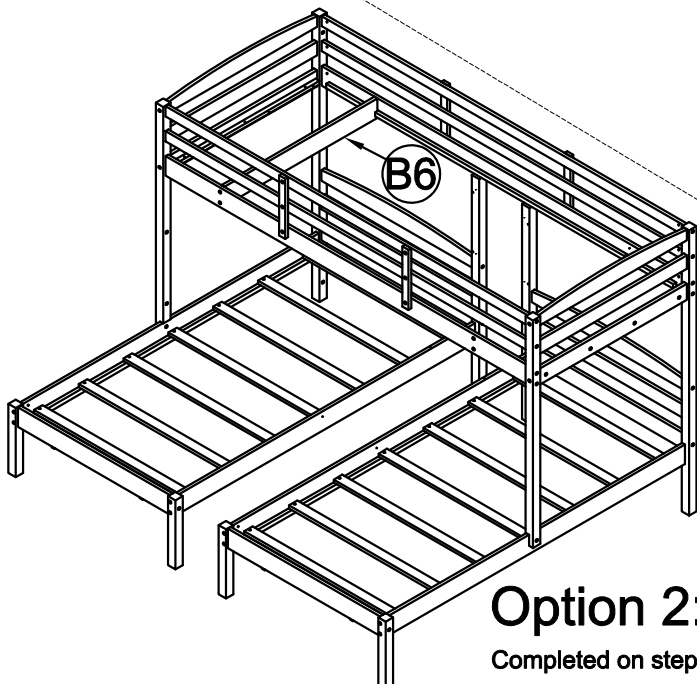
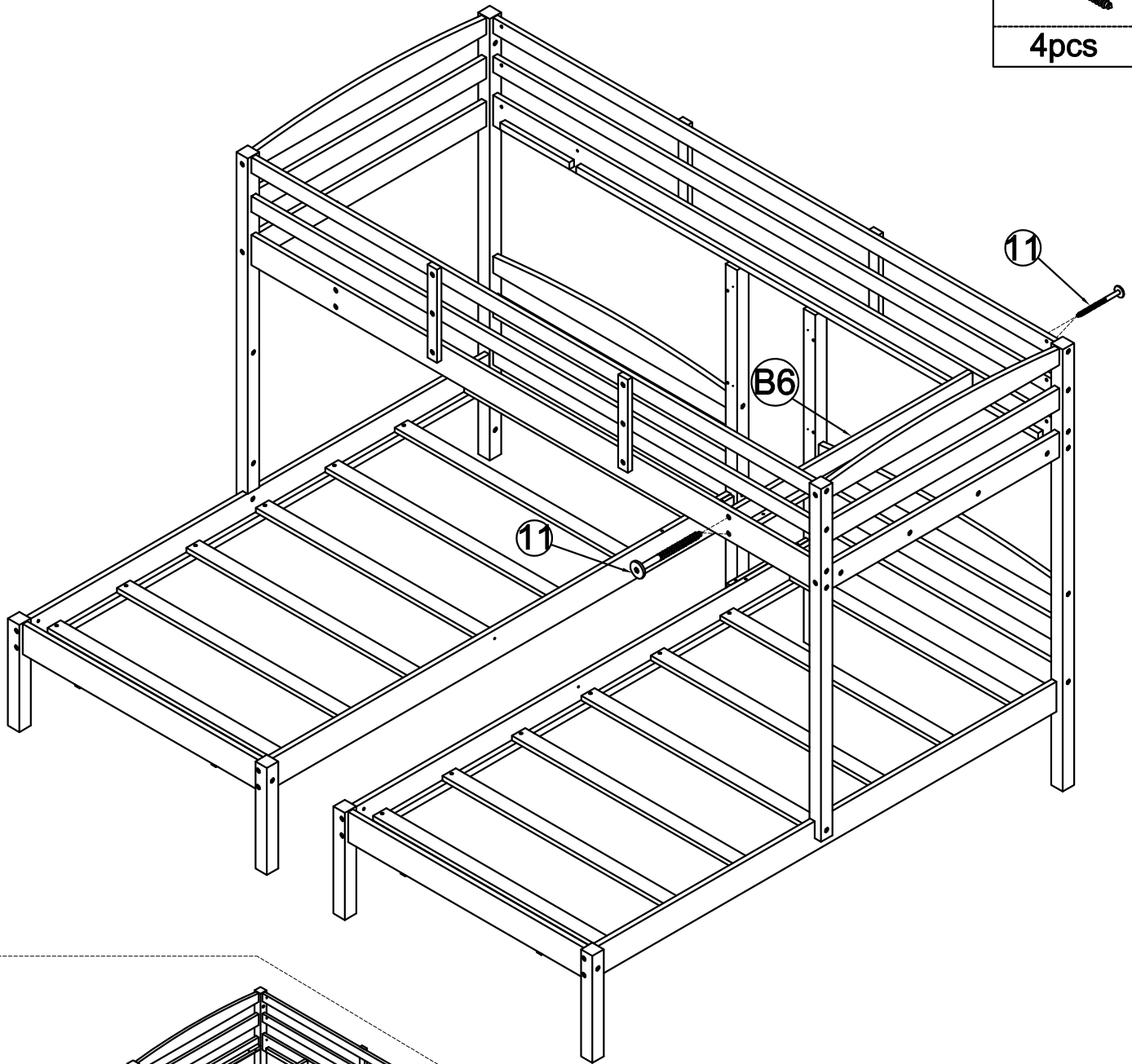
# STEP 12: Following below illustration

-Using hardware #11 connect Frame (completed on step 11 ) with B6 Frame

11



4pcs



**Option 2:**

Completed on step 12

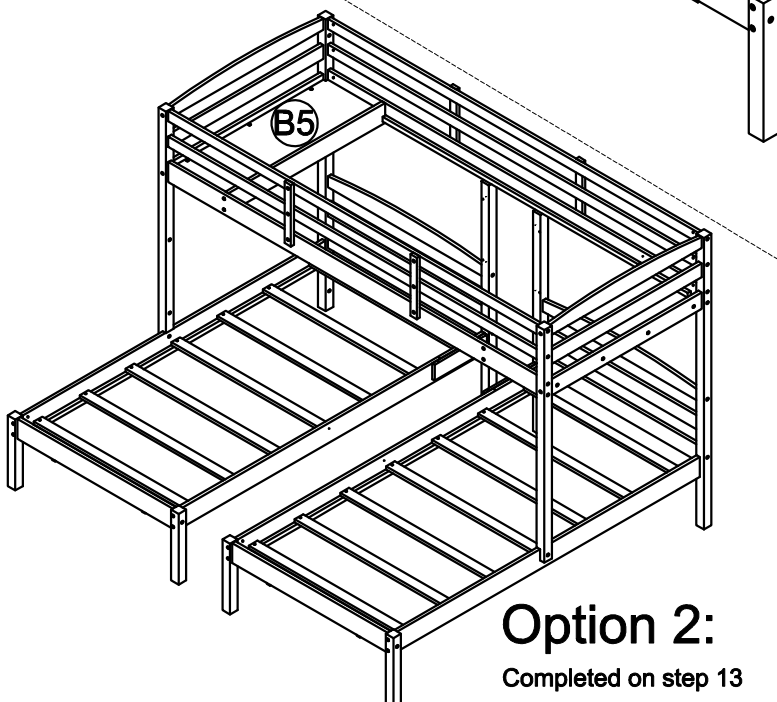
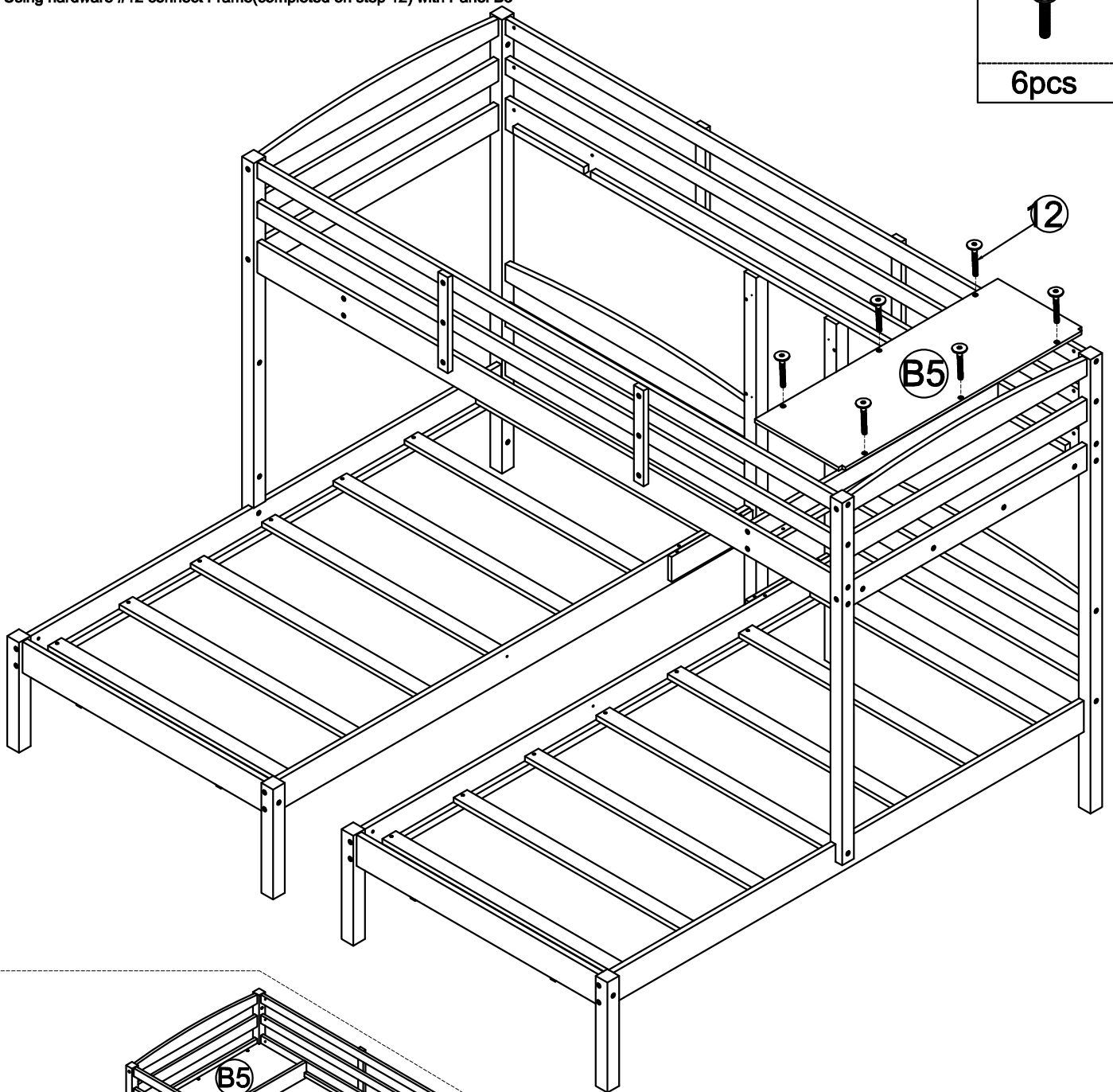
# STEP 13: Following below illustration

-Using hardware #12 connect Frame (completed on step 12) with Panel B5

12



6pcs



**Option 2:**

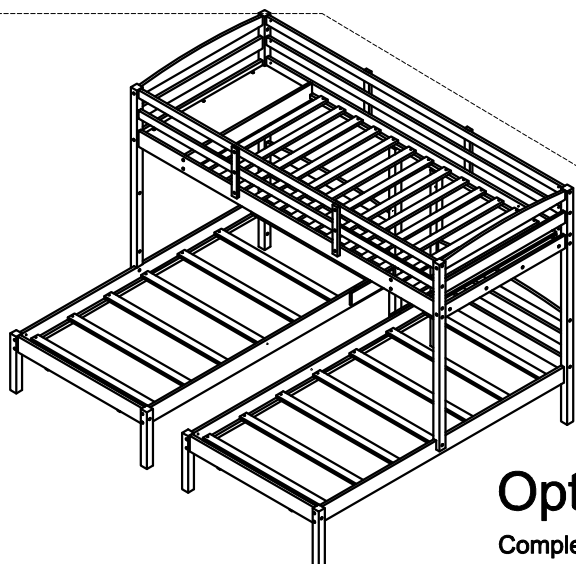
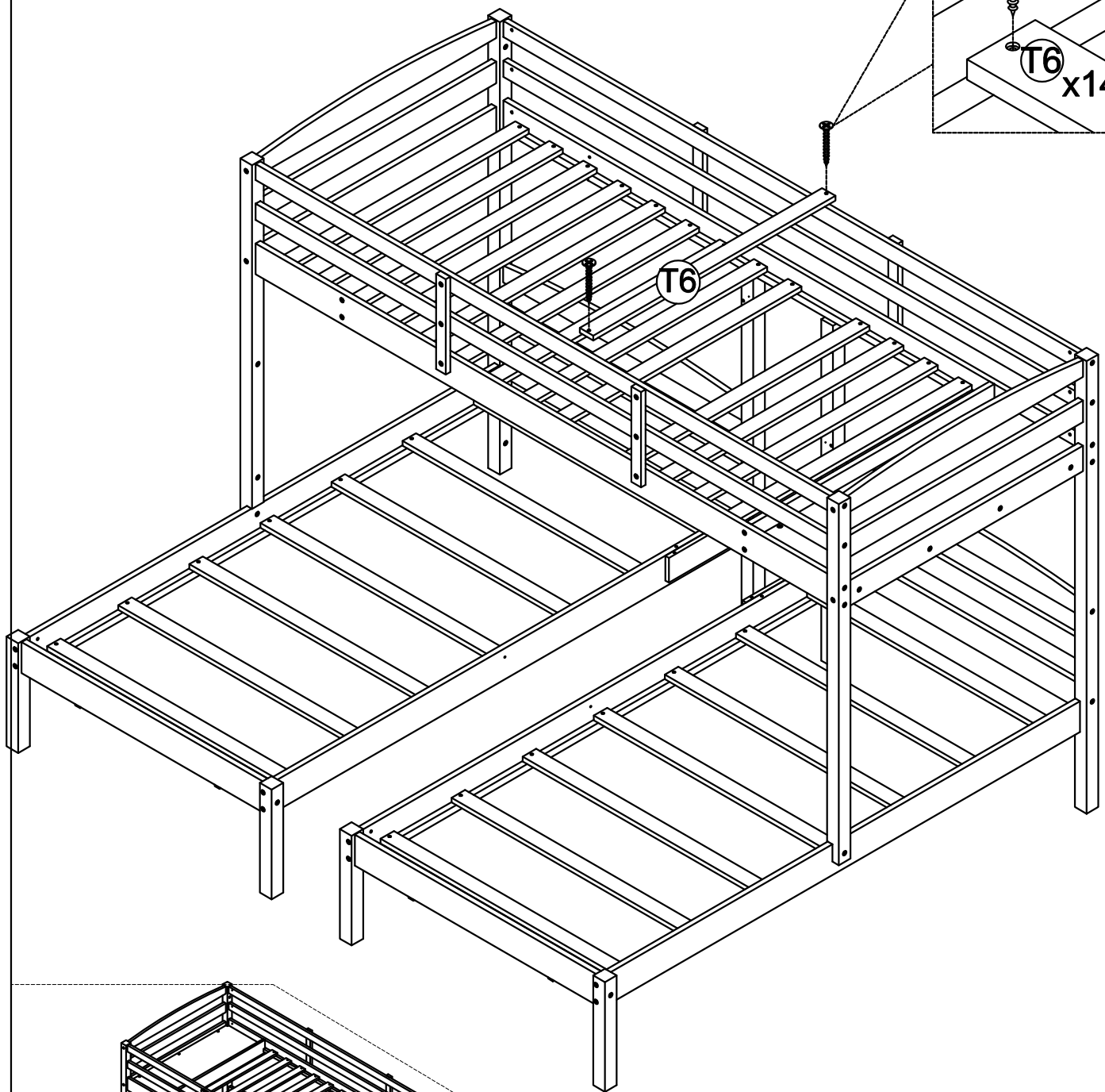
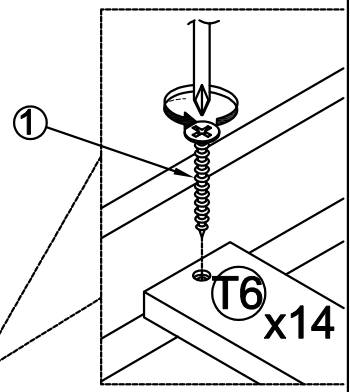
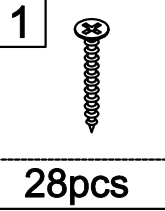
Completed on step 13

# STEP 14:

Following below illustration:

-Screw 14 slats T6 with Side Rail C5,C6 by using hardware #1.

-Look at detail view for more detail



Option 2:

Completed on step 14

# STEP 15:

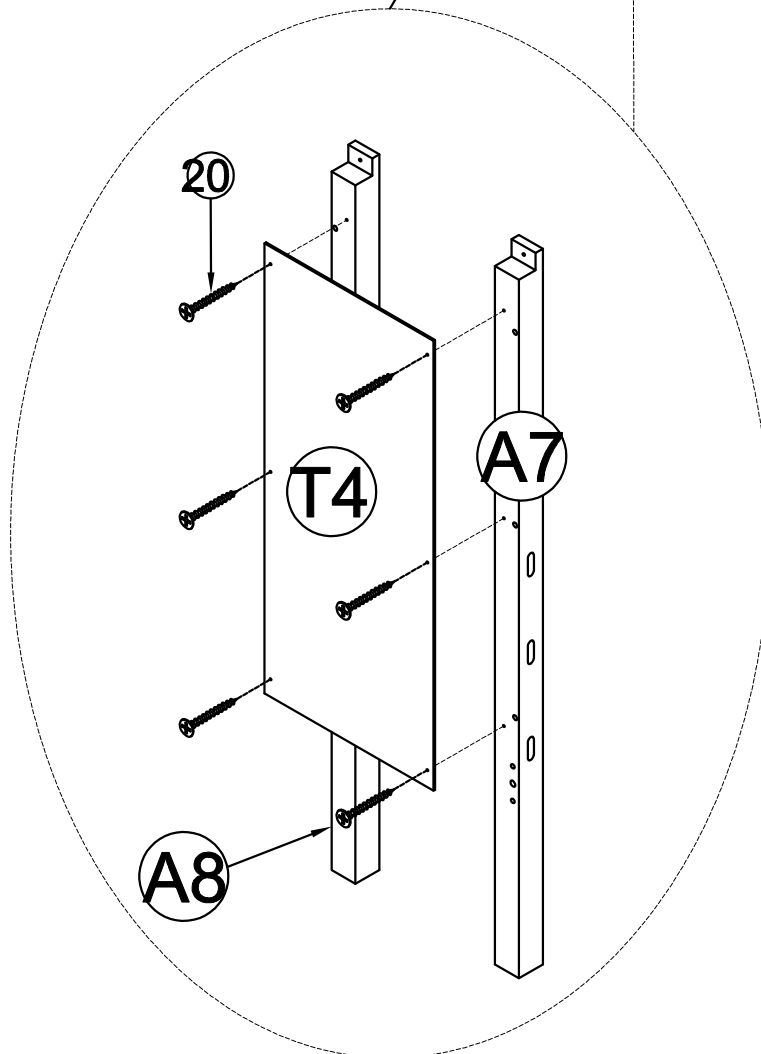
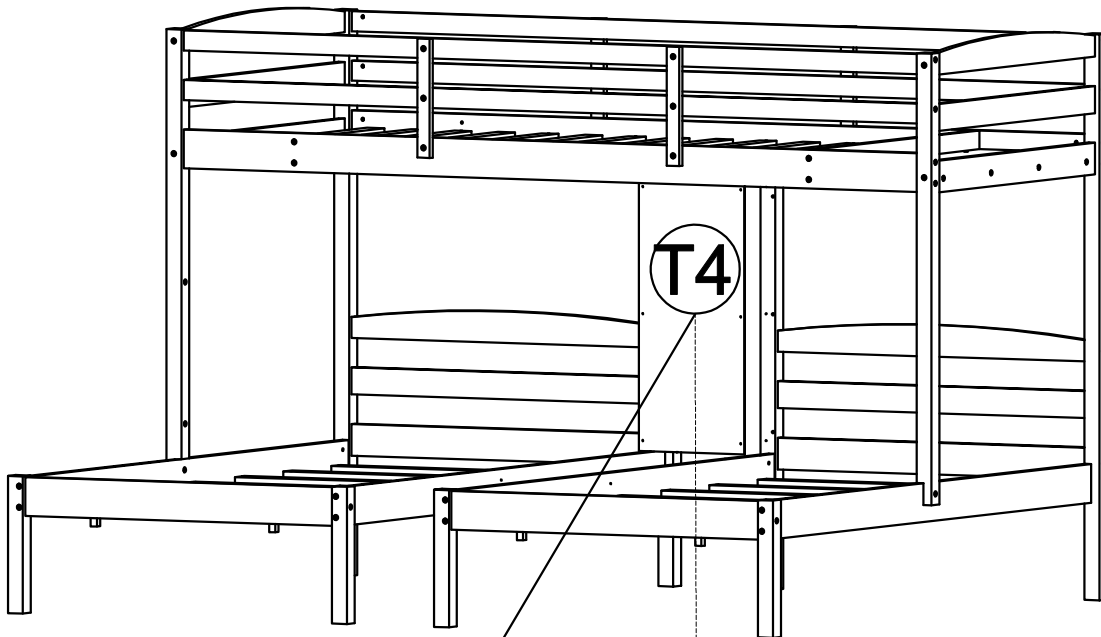
Following below illustration:

-Using hardware #20 to connect Frame (completed on step 14) with Back panel T4

20


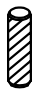


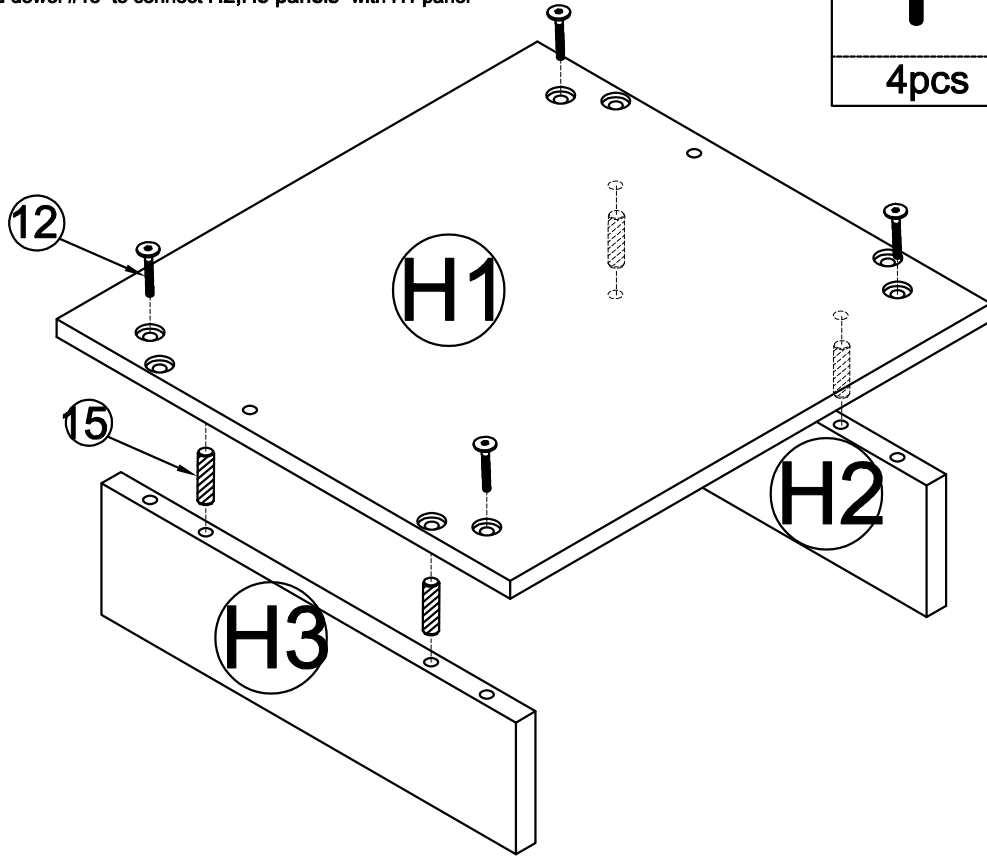
6pcs



# STEP 16-1: Following below illustration:

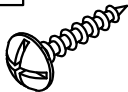
-Using hardward #12 and dowel #15 to connect H2,H3 panels with H1 panel

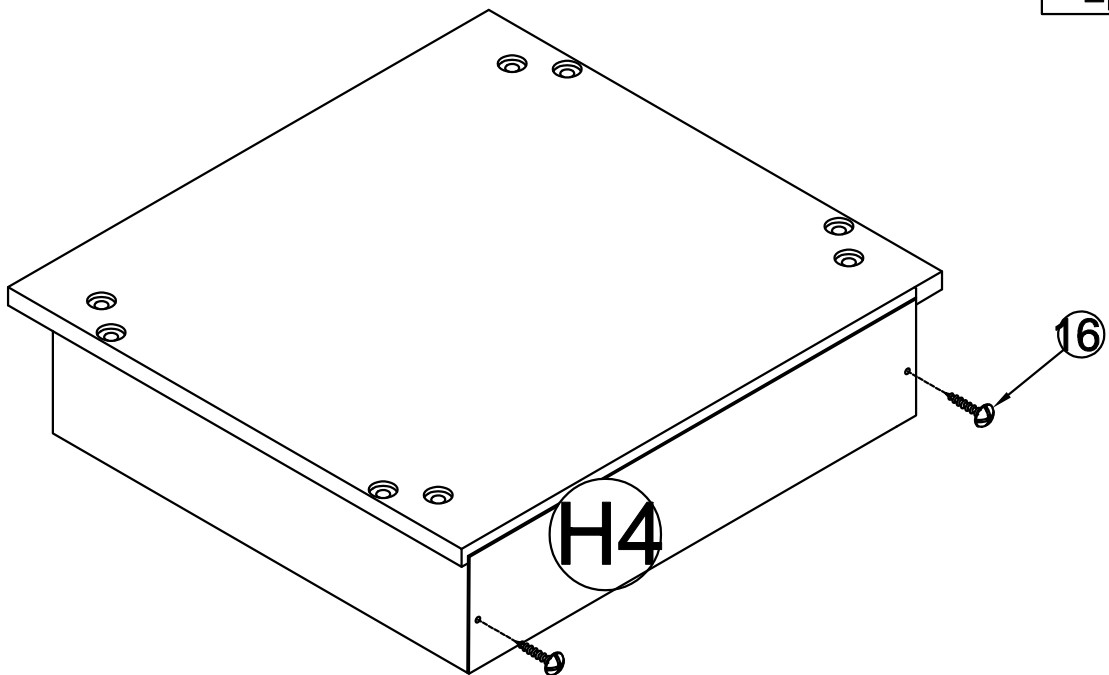
12	15
	
4pcs	4pcs



# STEP 16-2: Following below illustration:

-Using hardward #16 to connect Frame(completed on step 16-1) with Back panel H4

16

2pcs



# STEP 17:

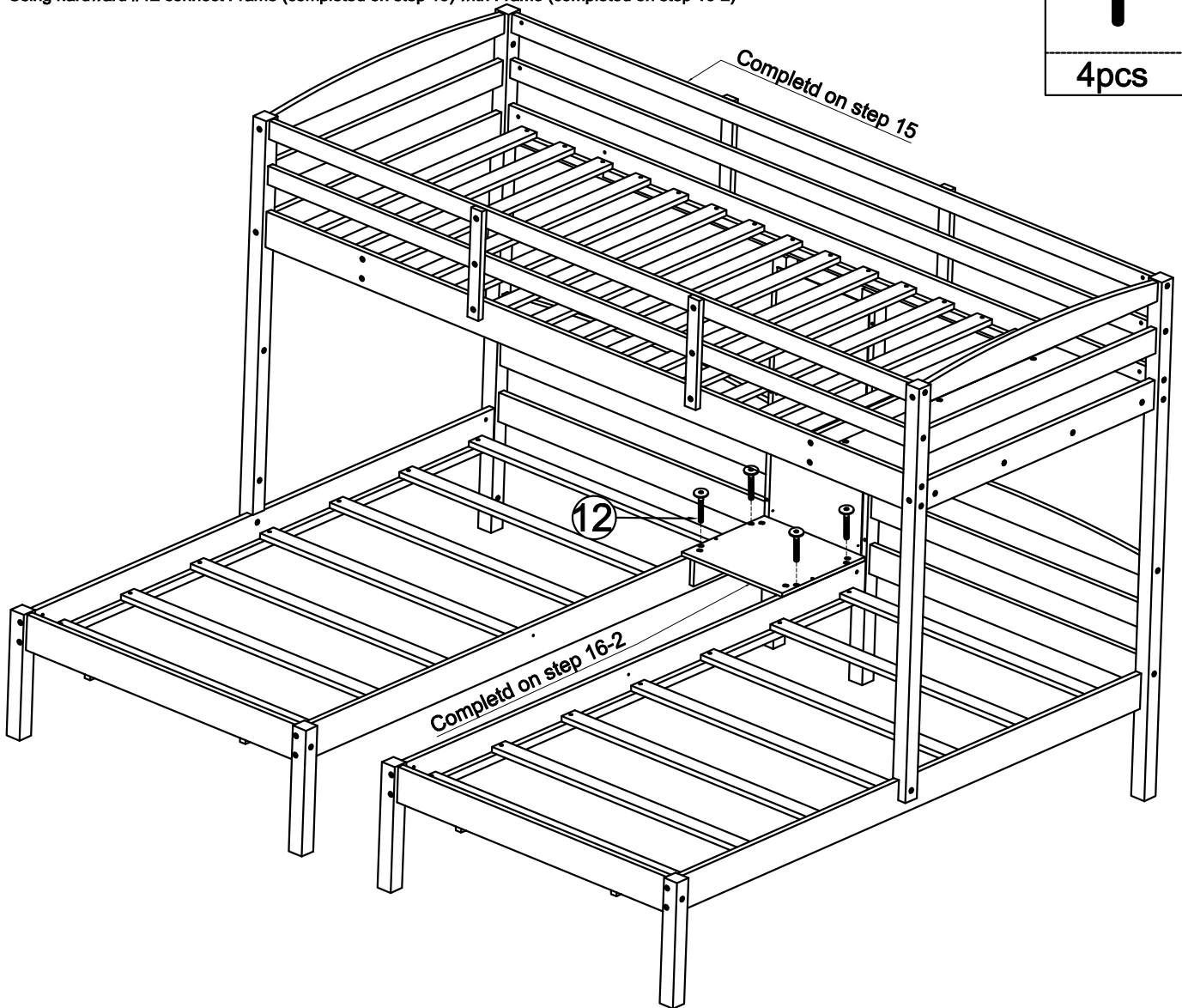
Following below illustration:

-Using hardware #12 connect Frame (completed on step 15) with Frame (completed on step 16-2)

12



4pcs



# STEP 18:

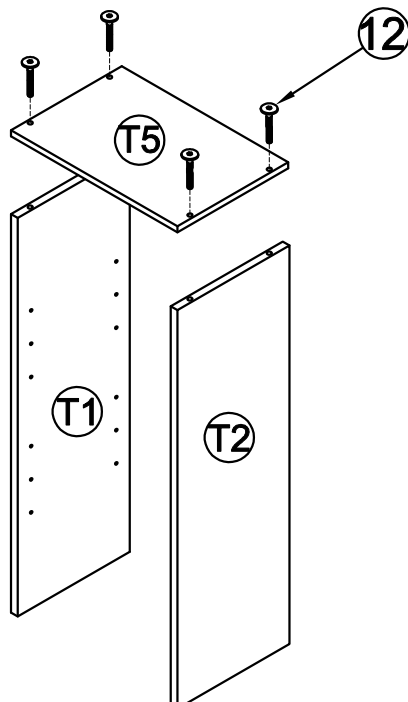
Following below illustration:

-Using hardware #12 connect T1, T2 Panels with T5 Panel

12


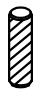


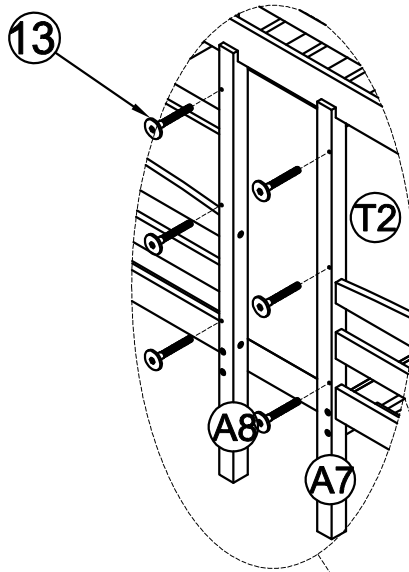
4pcs



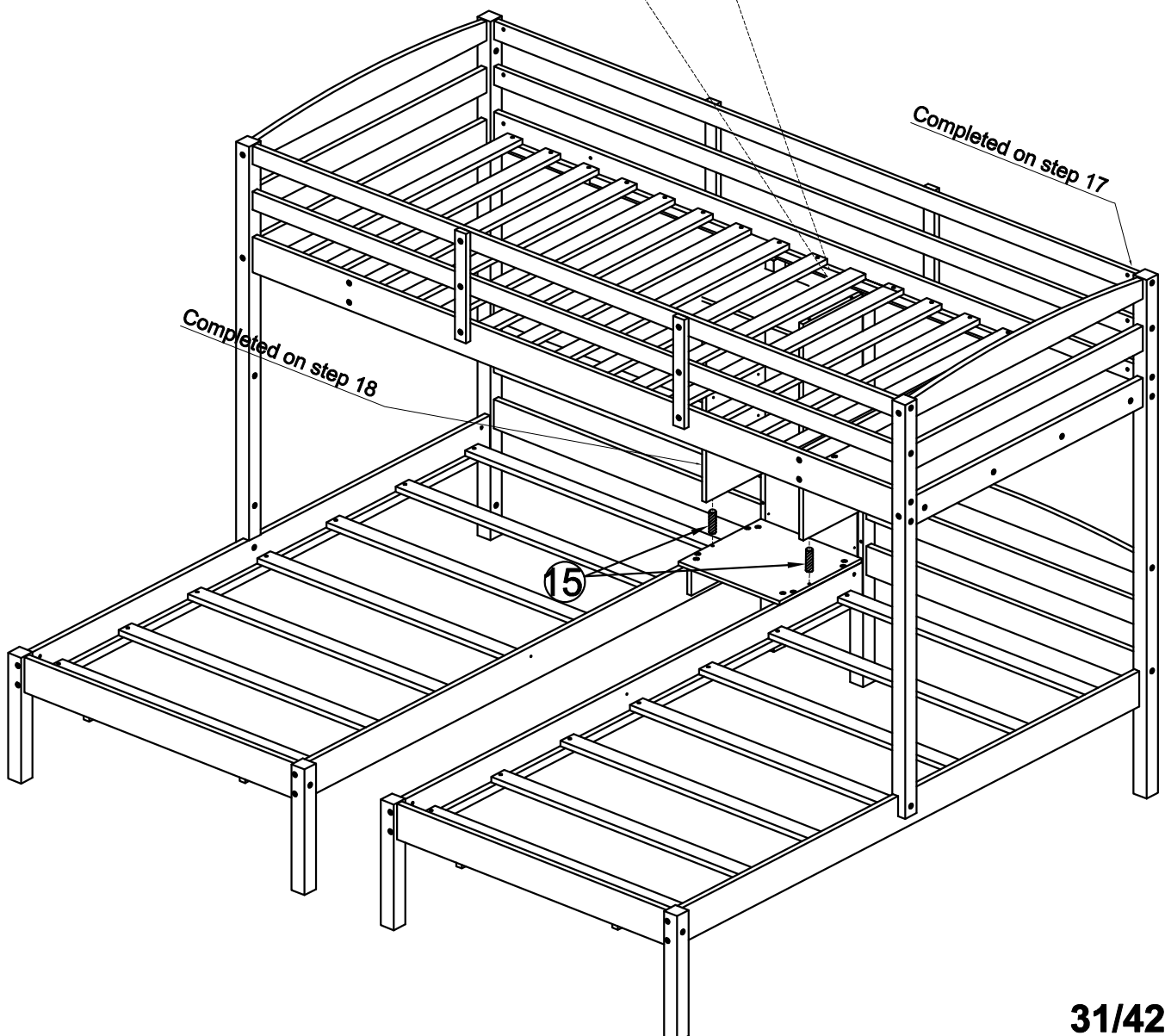
# STEP 19: Following below illustration:

-Using hardware #13 and Dowel 15 connect Frame (completed on step 17) with Frame (completed on step 18)

13	15
	
6pcs	2pcs





BACK VIEW

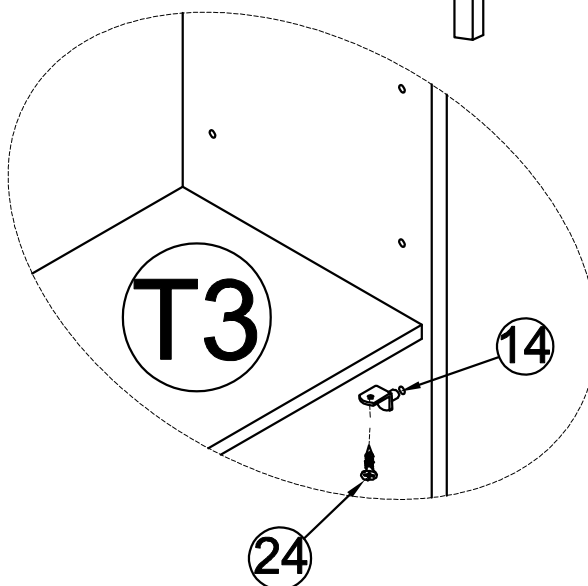
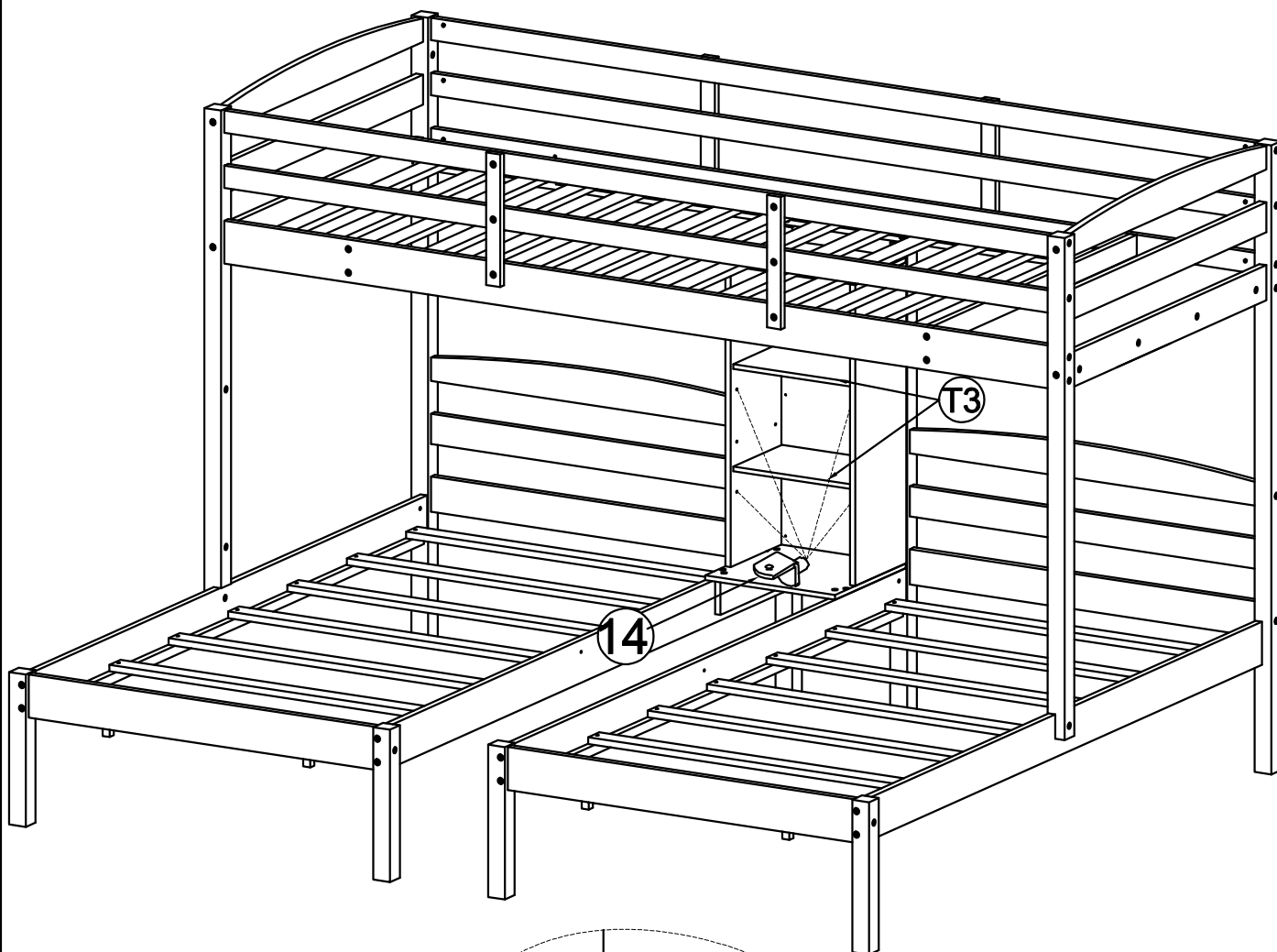


# STEP 20:

Following below illustration:

- Assembly HW #14 then push Remove panels T3(x2) in the right place
- Using hardware #24 Connect HW 14 With T3

24	14
	
8pcs	8pcs

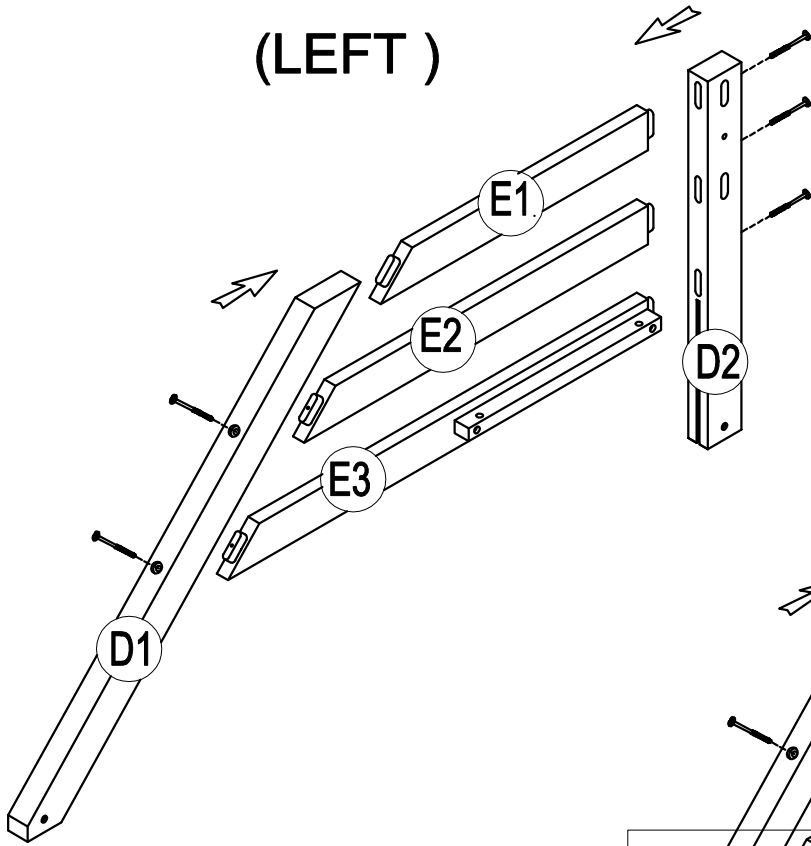


# STEP 21:

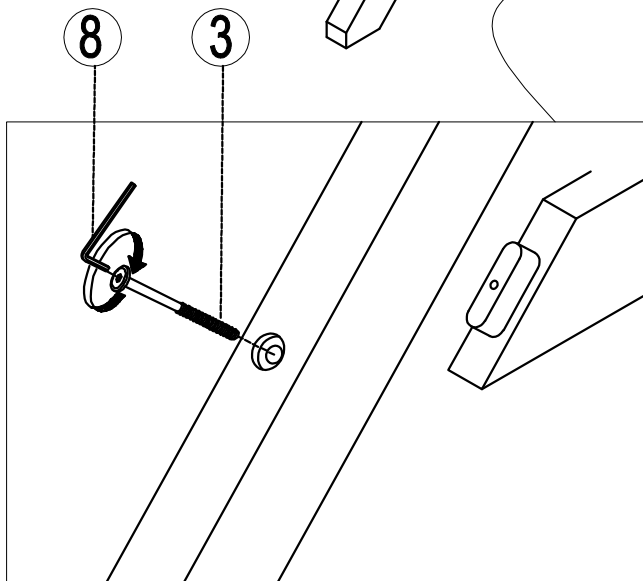
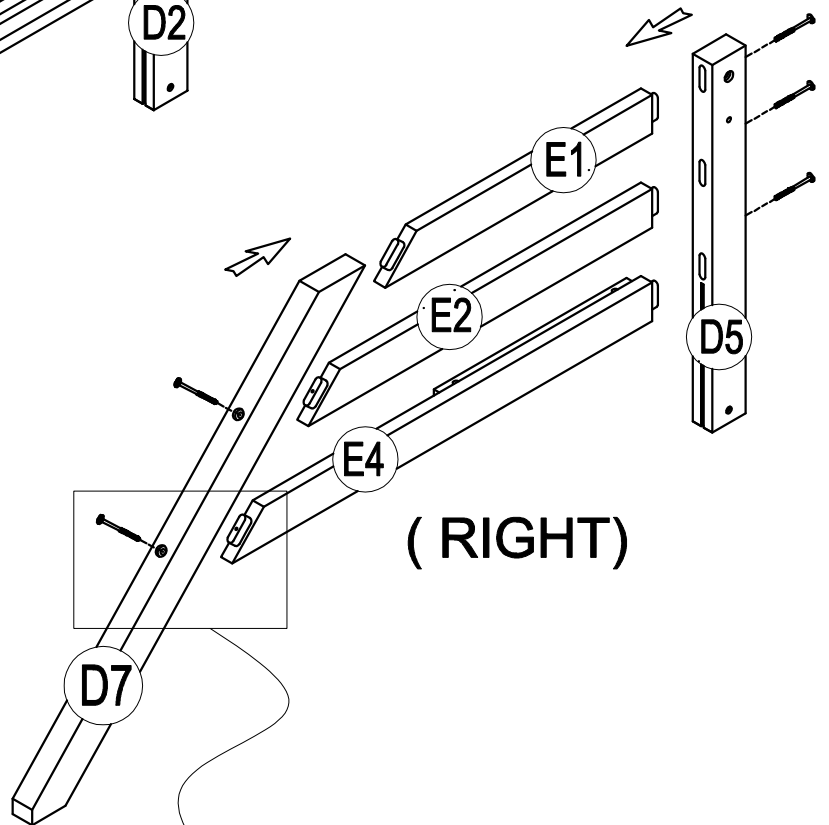
3

10 PCS

( LEFT )

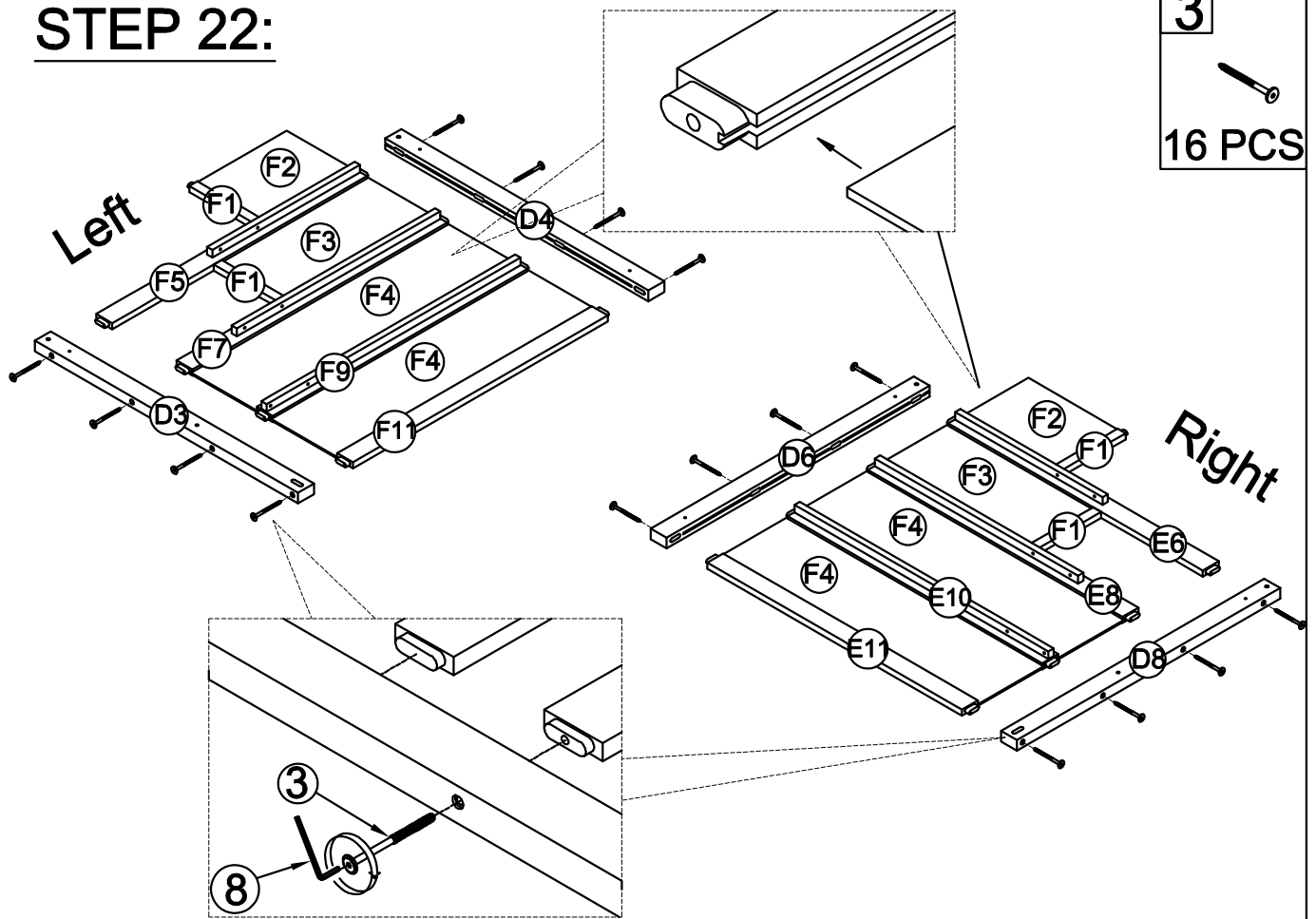


( RIGHT )



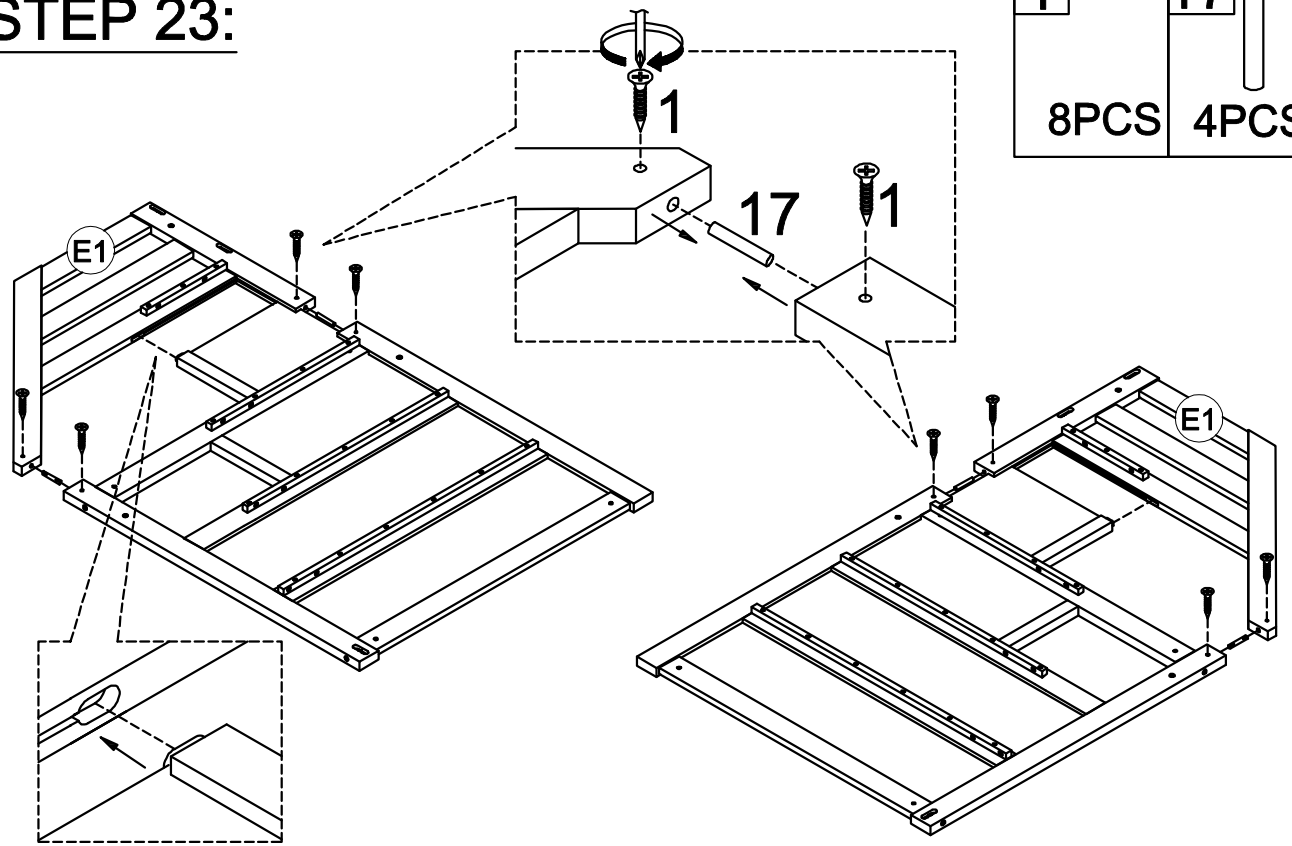
# STEP 22:

3  
16 PCS




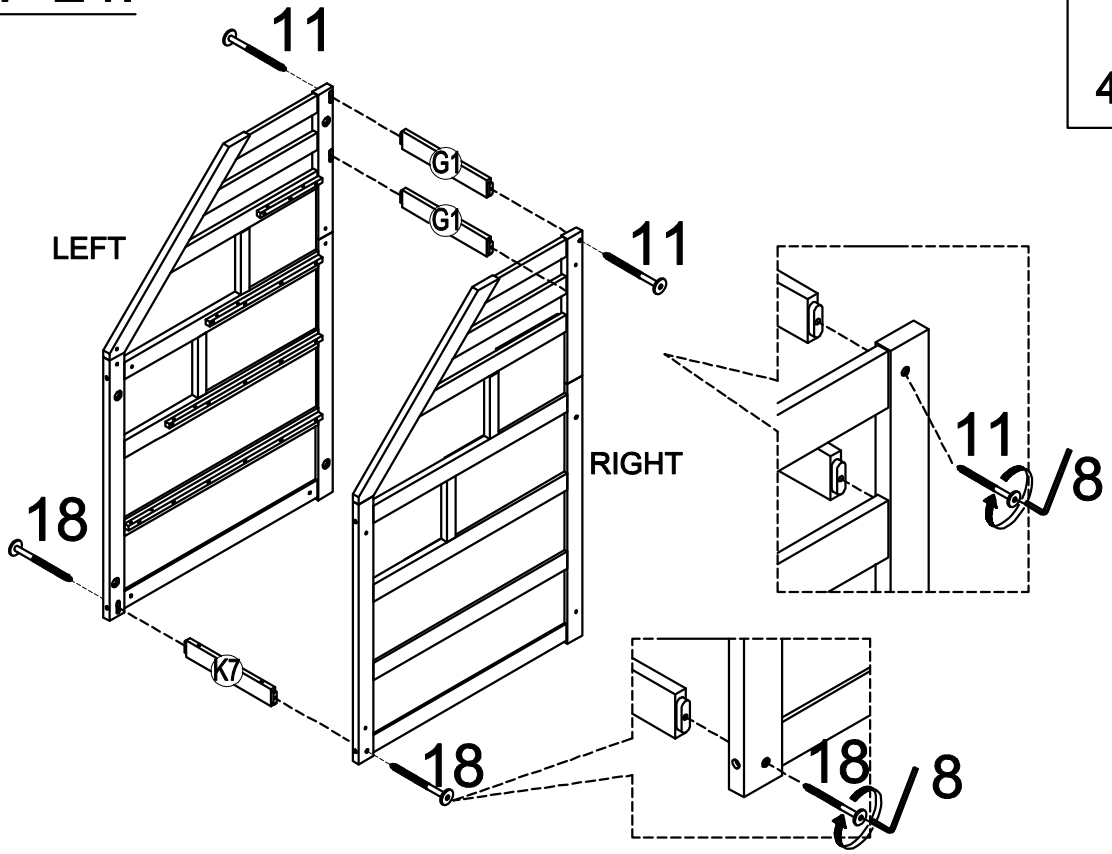
# STEP 23:

1 17  
8PCS 4PCS






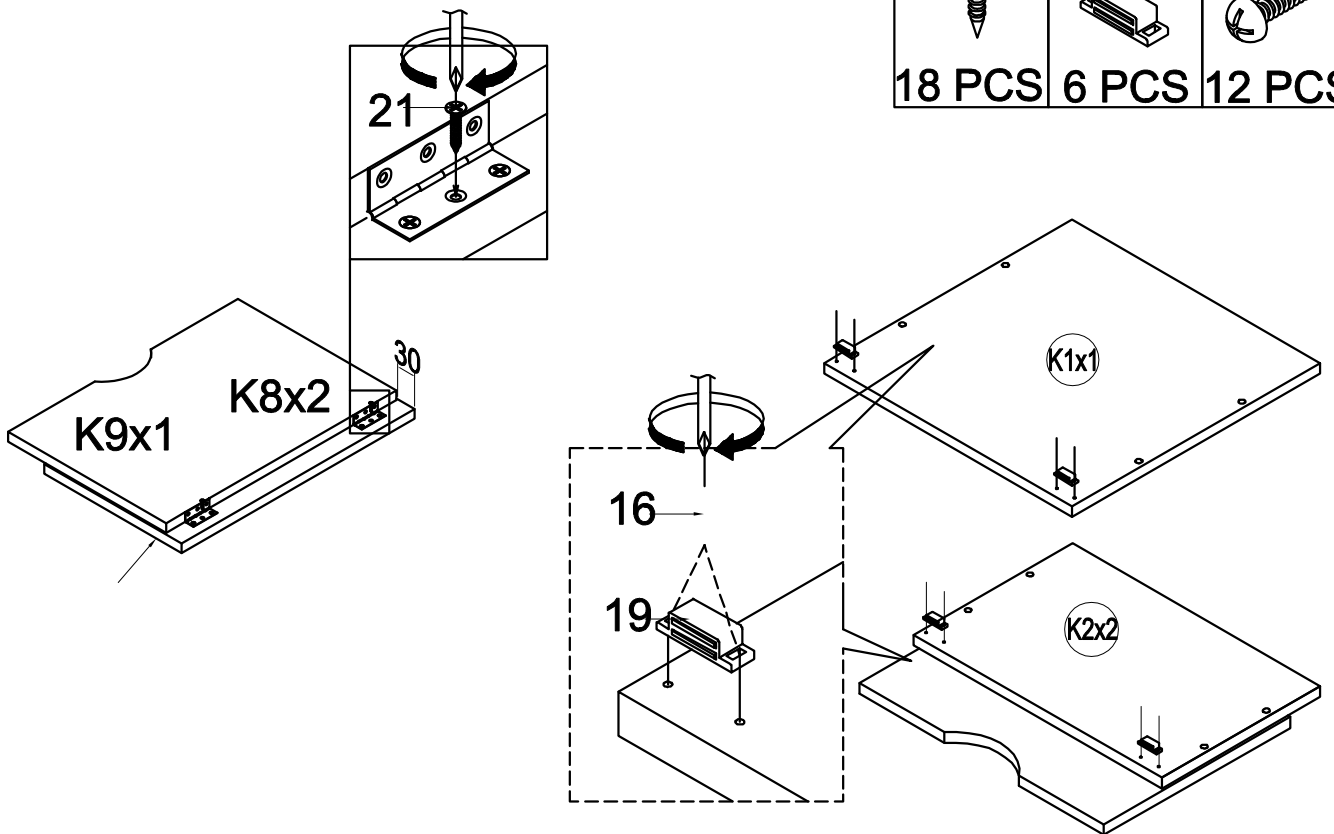
# STEP 24:

**11**  
  
**4PCS**





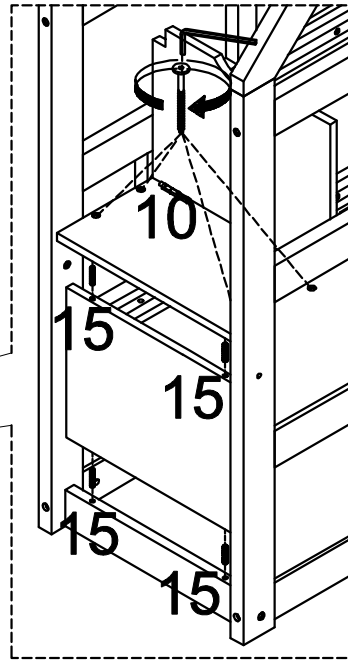
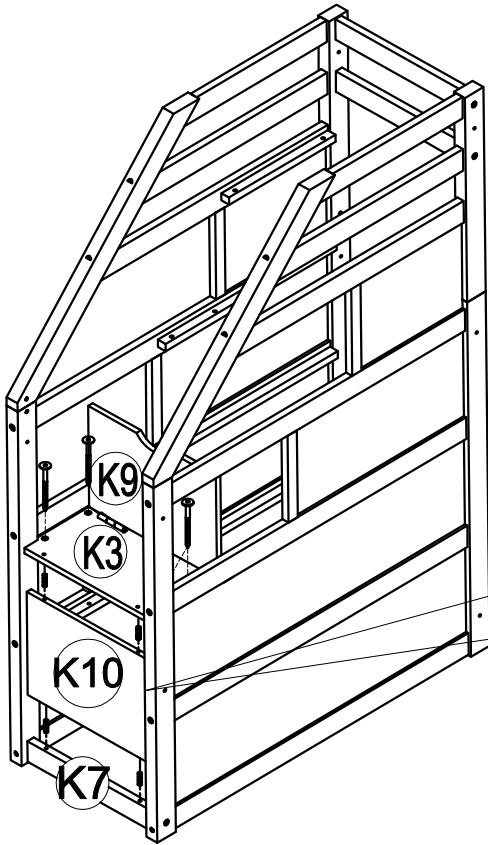
# STEP 25

<b>21</b>  <b>18 PCS</b>	<b>19</b>  <b>6 PCS</b>	<b>16</b>  <b>12 PCS</b>
---	--	---




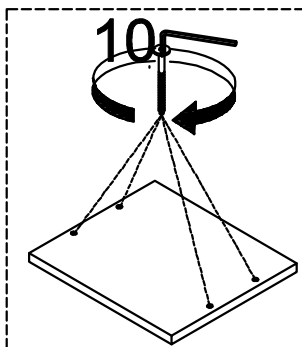
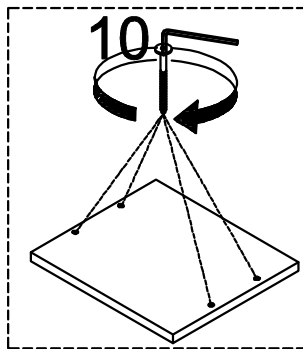
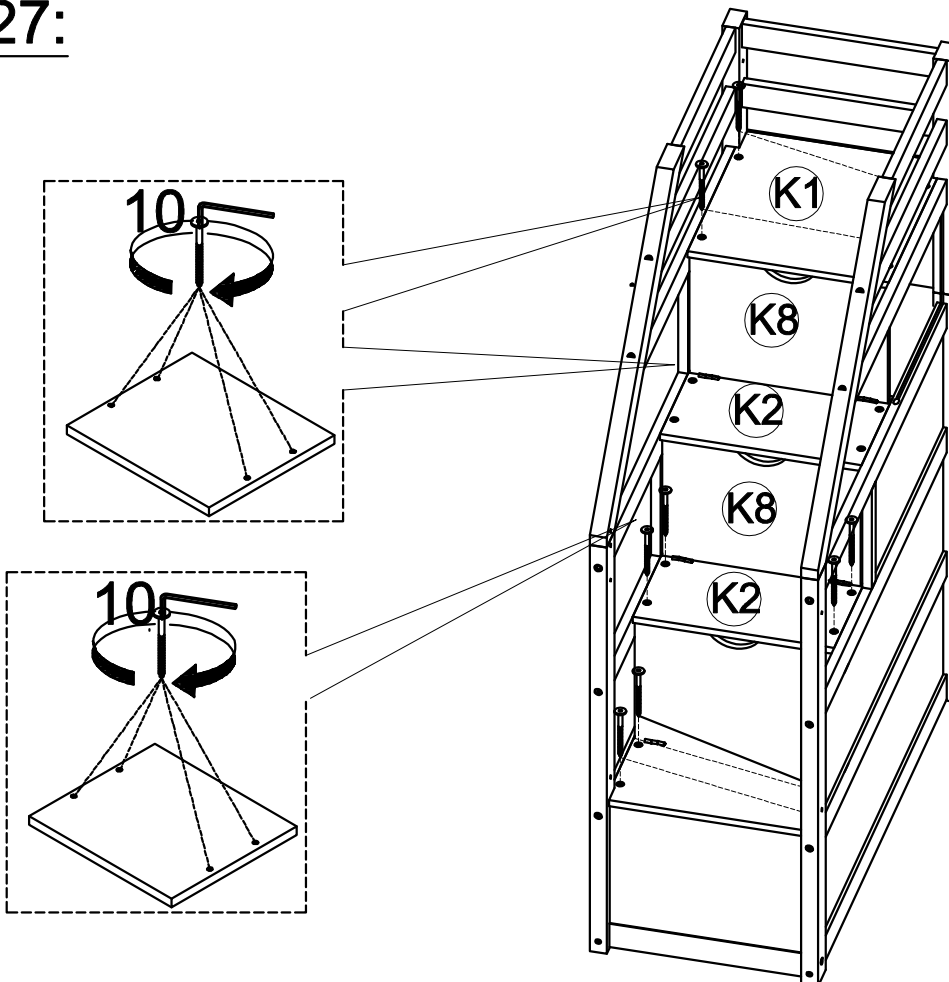
# STEP 26:

15		10	
4PCS		4PCS	



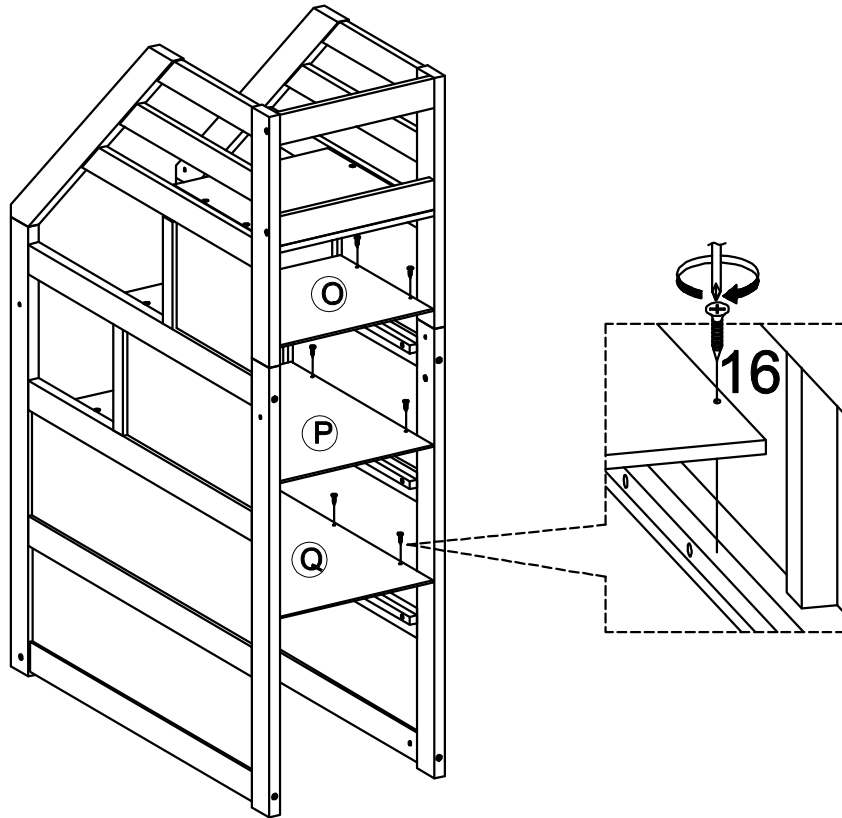
# STEP 27:

10	
12PCS	



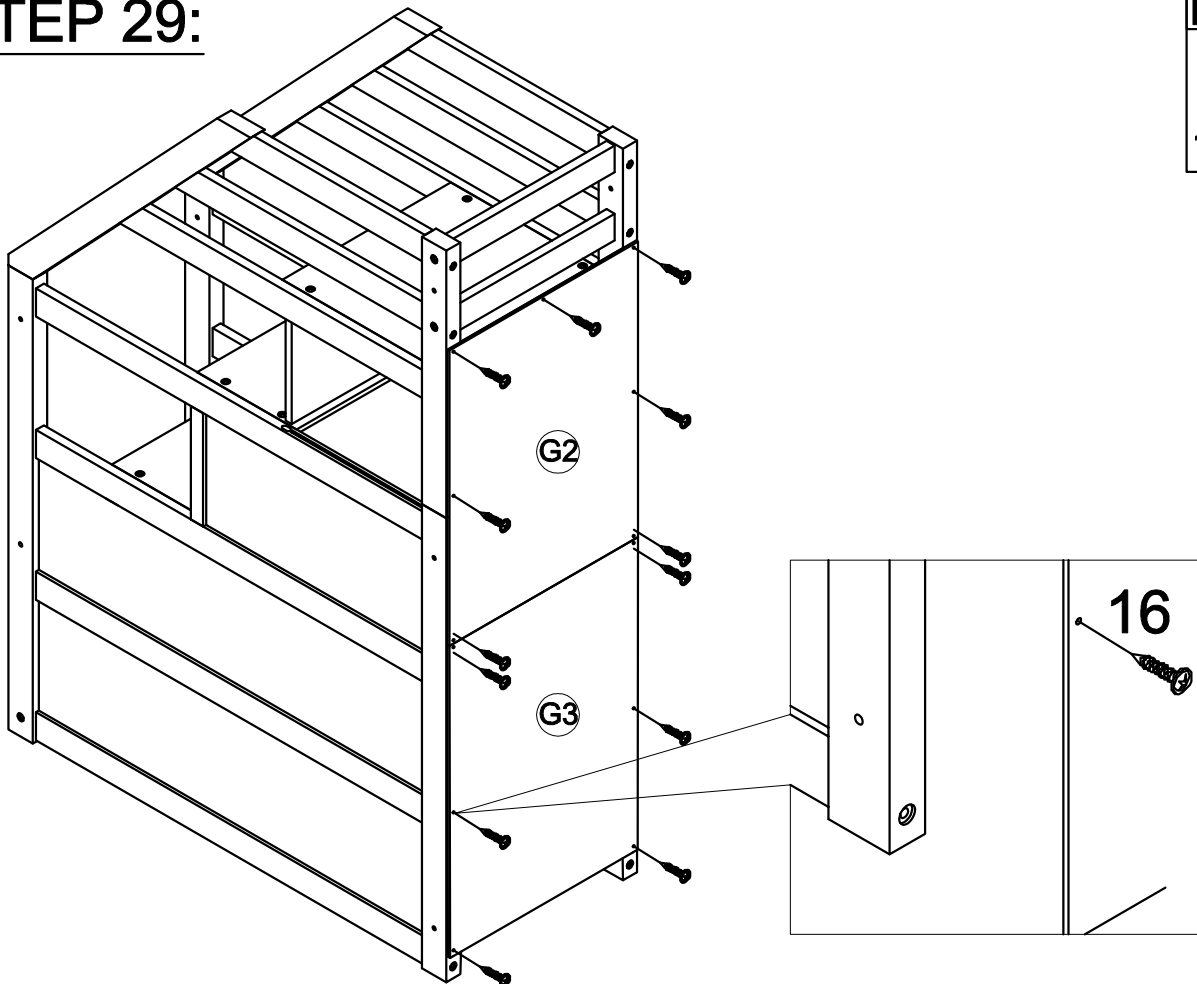
# STEP 28:

16  
14PCS



# STEP 29:

16  
13PCS

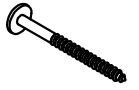


# STEP 30:

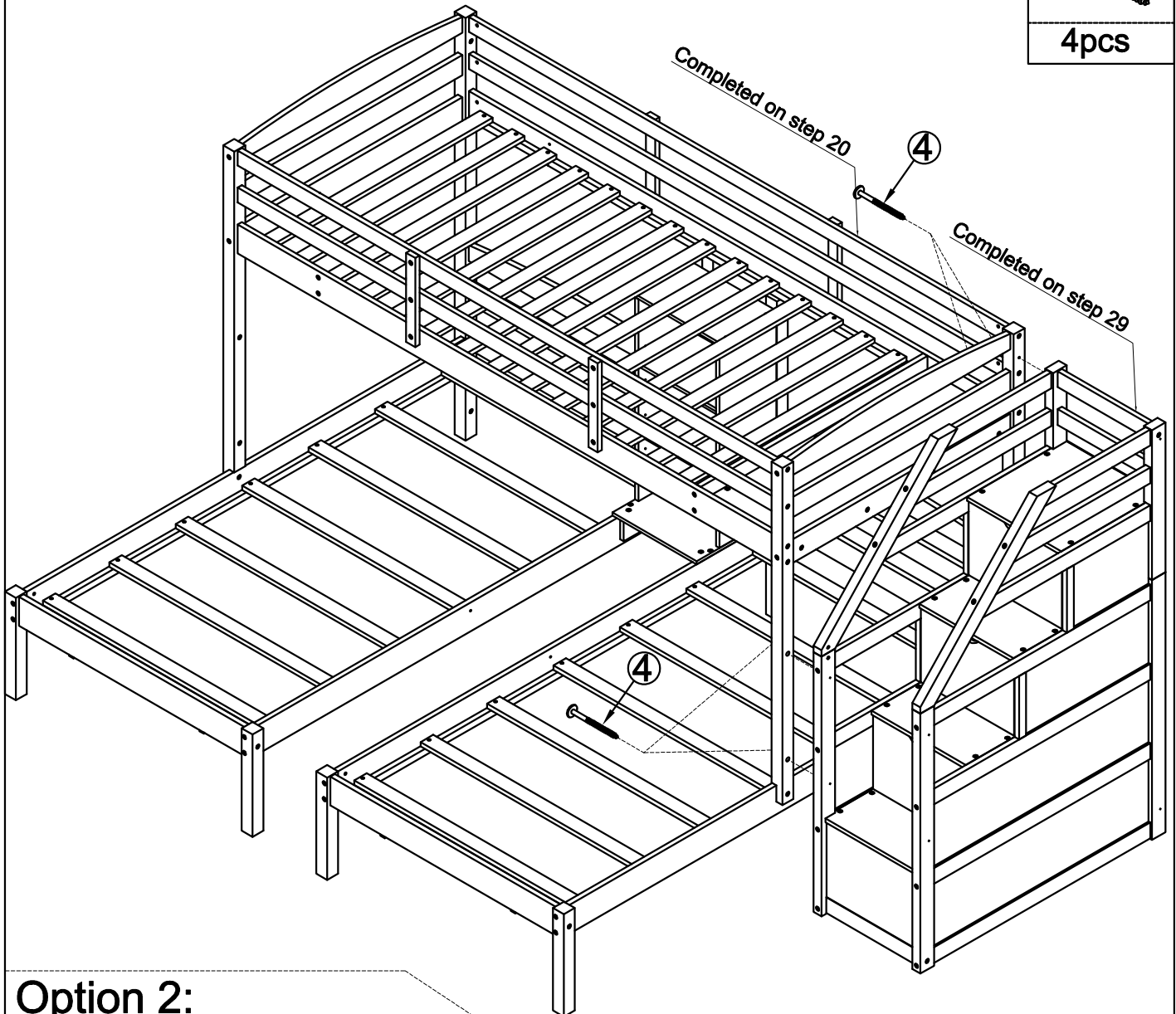
Following below illustration:

-Using hardward #4 connect Frame (completed on step 29) with Frame (completed on step 20)

4

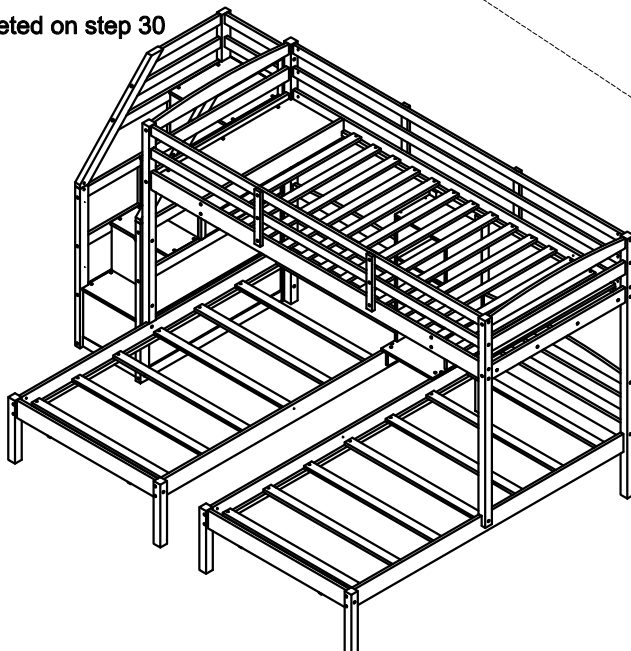


4pcs




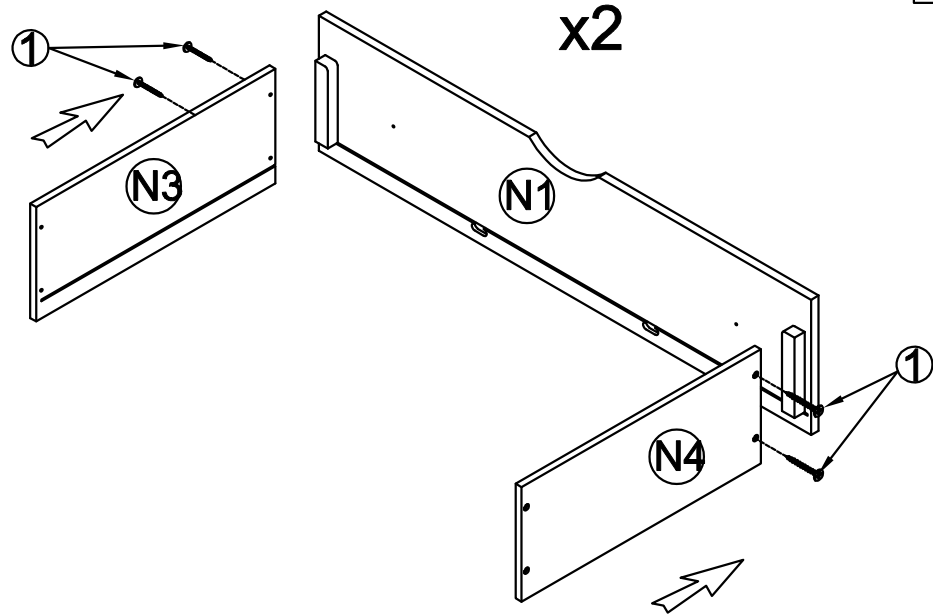
## Option 2:

Completed on step 30




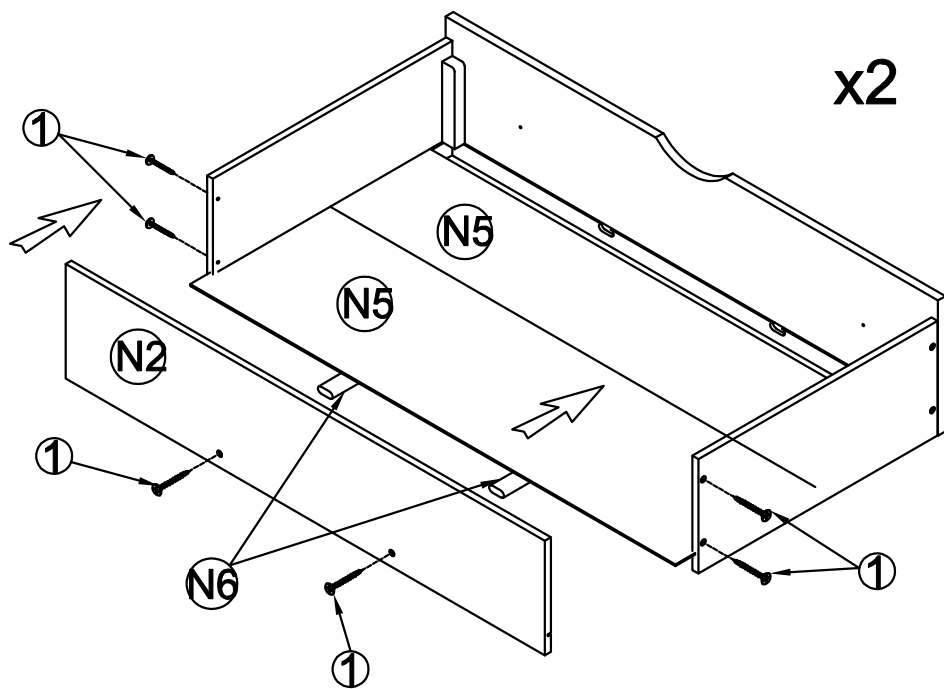
# STEP 31-1:

1	
8pcs	

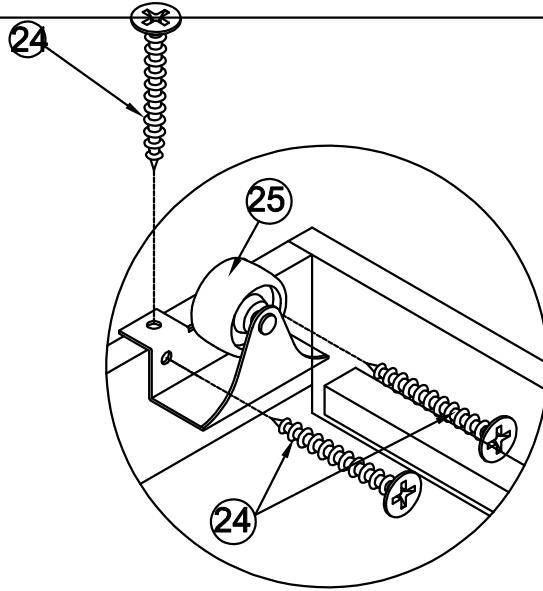




# STEP 31-2:

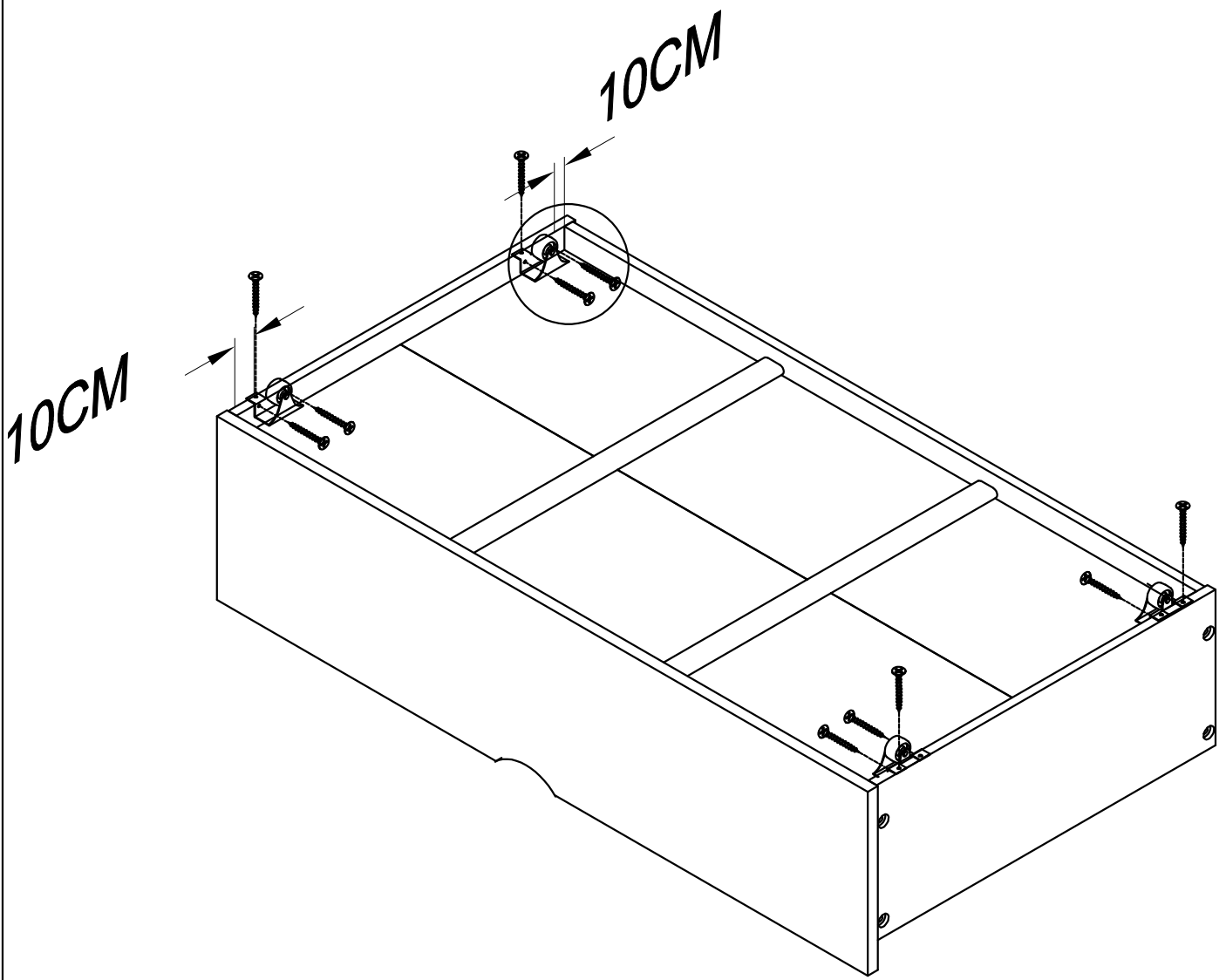
1	
12(pcs)	



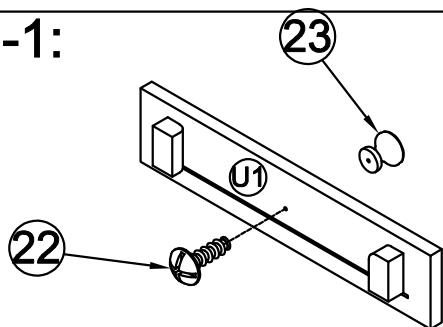
# STEP 31-3



25	24
	
2x4pcs	2x12pcs



### STEP 32-1:



23



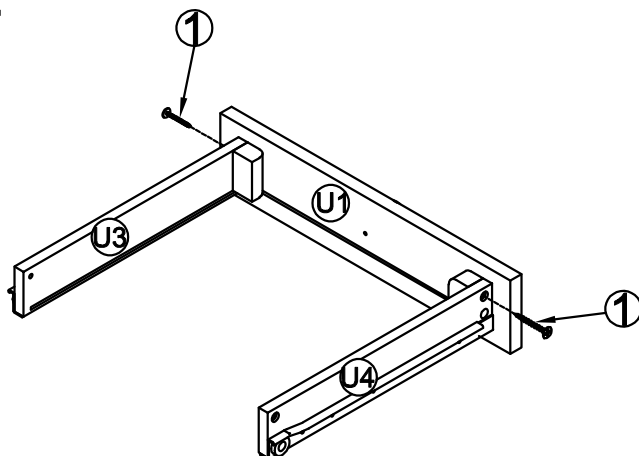
1pc

22



1pc

### STEP 32-2:

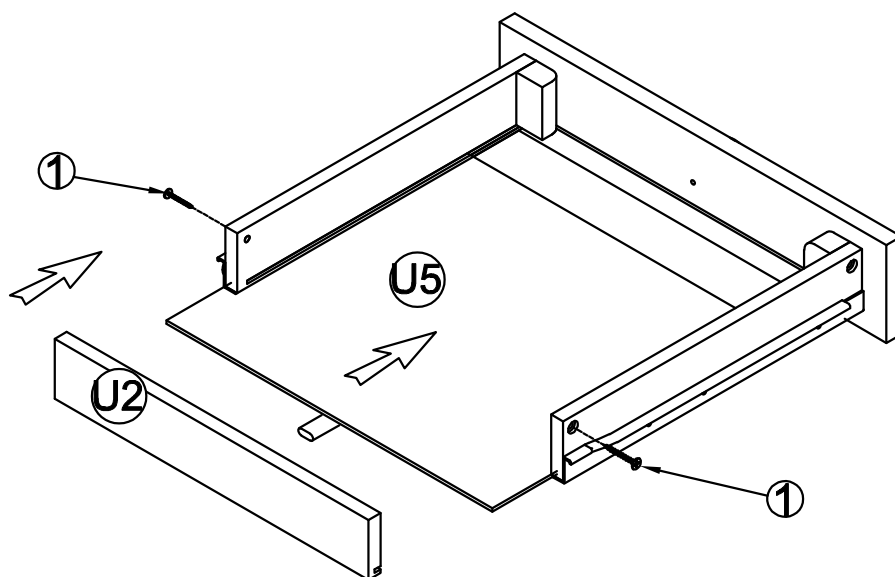


1



2pcs

### STEP 20-3:



1



2pcs

# STEP 33: CONGRARULATION. YOU HAVE COMPLETED THE BED.

Push 3 drawer into it position

