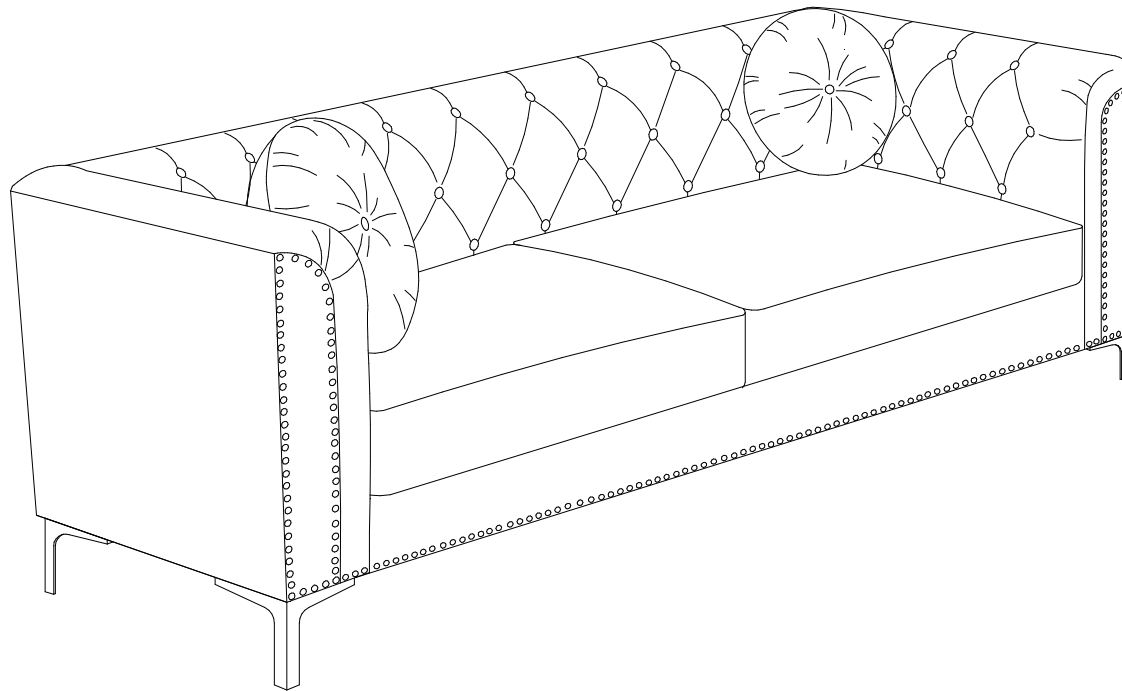
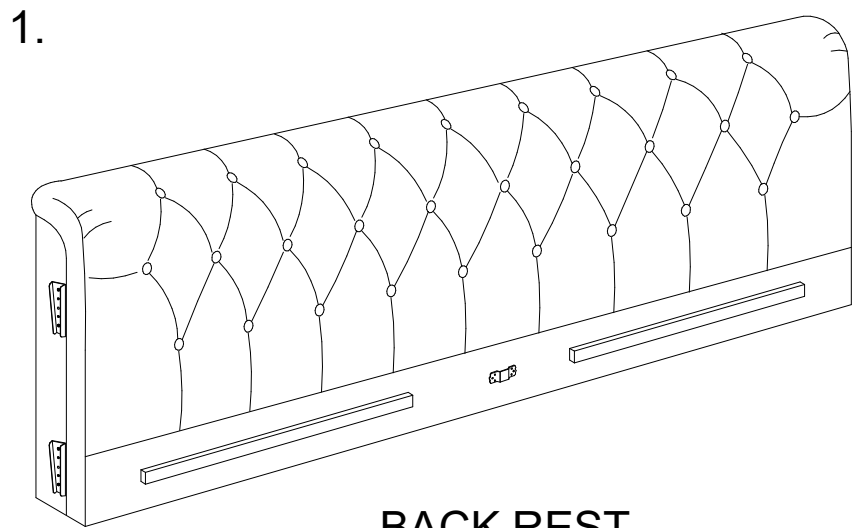


Attention:
Two people are required for assembly and lifting unit.

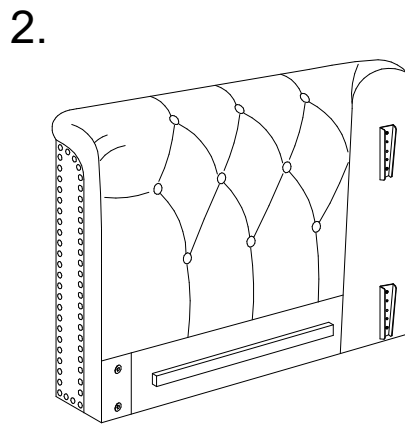
ASSEMBLY INSTRUCTION



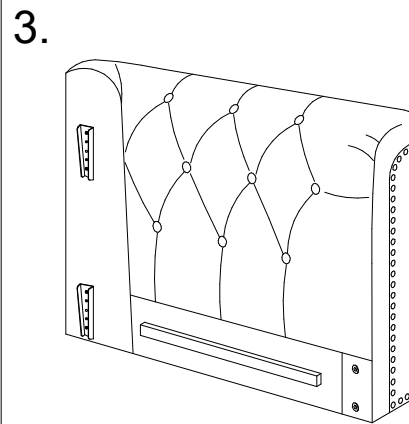
ASSEMBLY PART



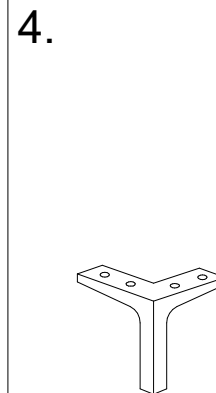
BACK REST



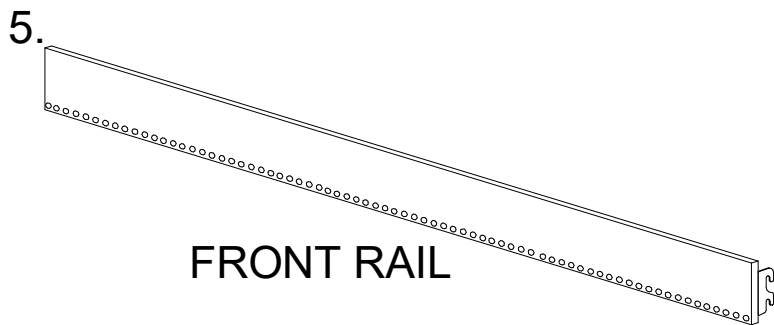
LEFT ARM (L)



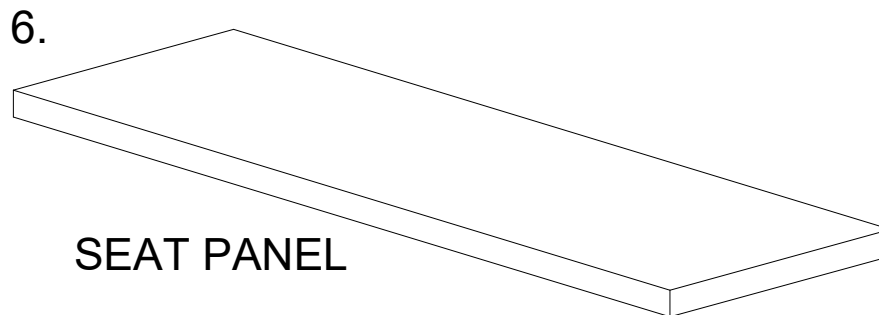
RIGHT ARM (R)



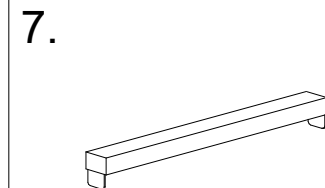
LEG (4PCS)



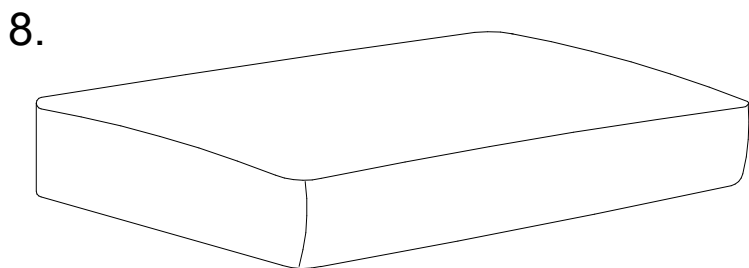
FRONT RAIL



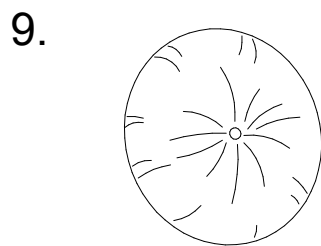
SEAT PANEL




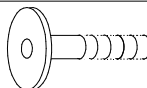

SEAT PANEL SUPPORT



SEAT CUSHION (2PCS)

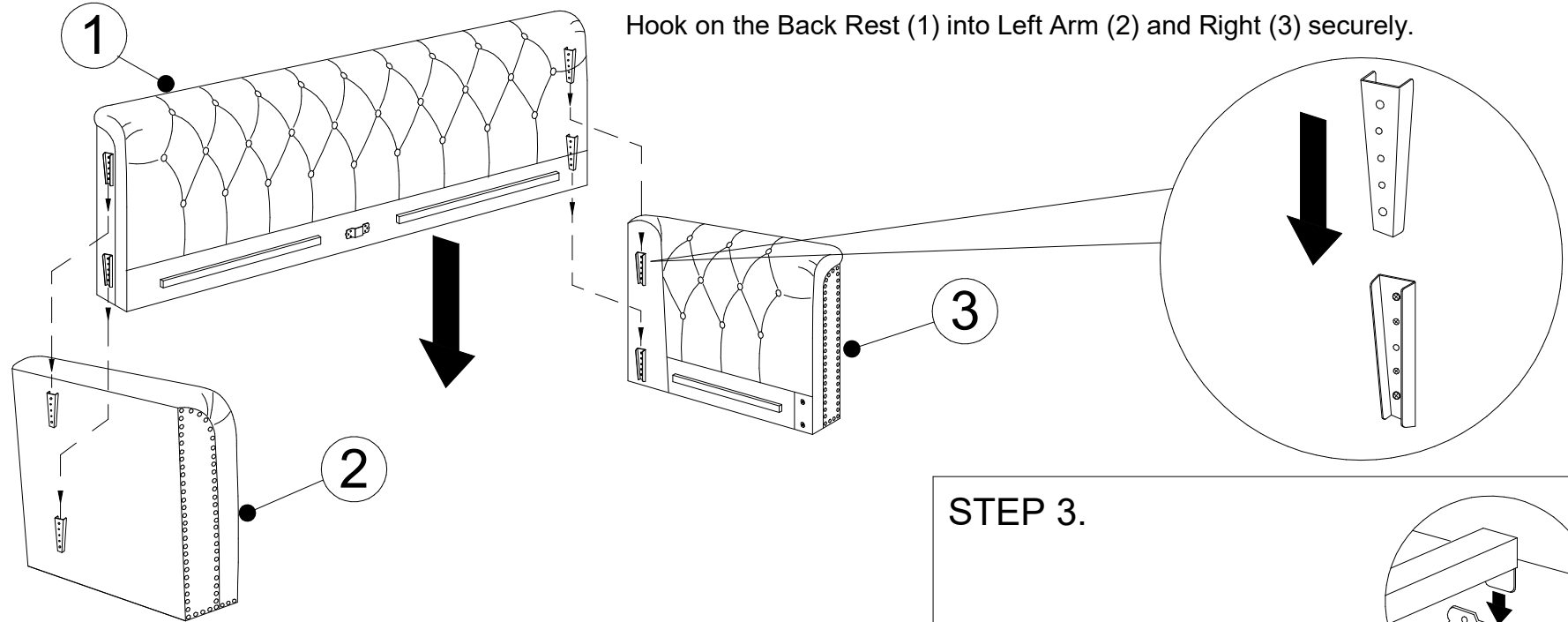


PILLOW (2PCS)

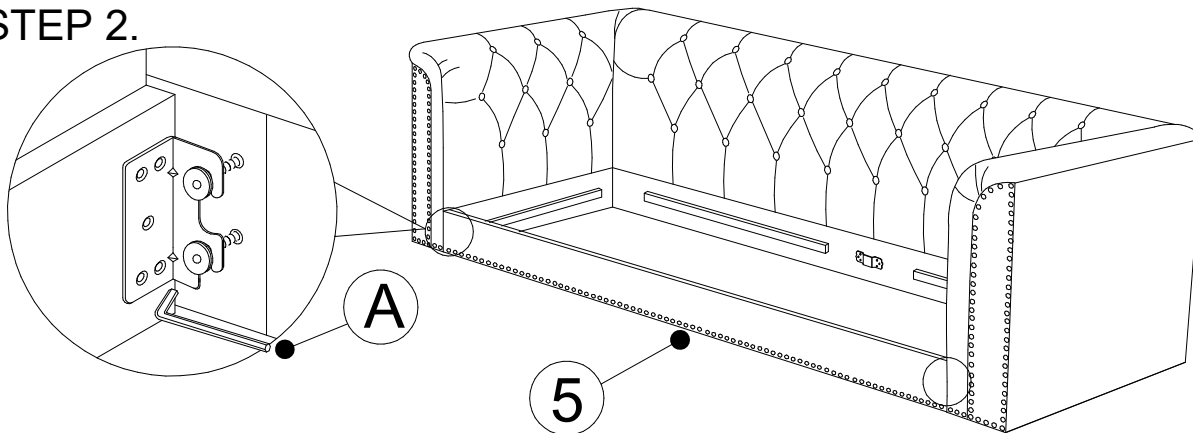
NO	HARDWARE DESCRIPTION	QTY
A.	Allen Key 	1PC
B.	20mm Bolt 	8PCS
C.	Flat Washer 	8PCS

ASSEMBLY INSTRUCTION

STEP 1.

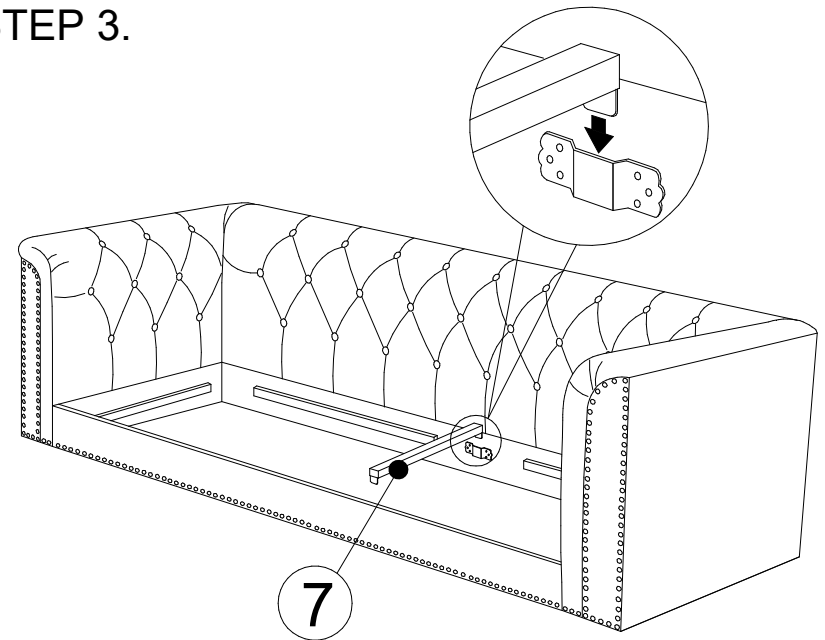


STEP 2.



Slightly loosen the four bolts using Allen Key (A) without removing the bolts completely from both Side Arms (2 and 3). Hook on Front Rail (5) hooks into loosen bolts, once placed tighten and secure all four bolts with Allen Key (A).

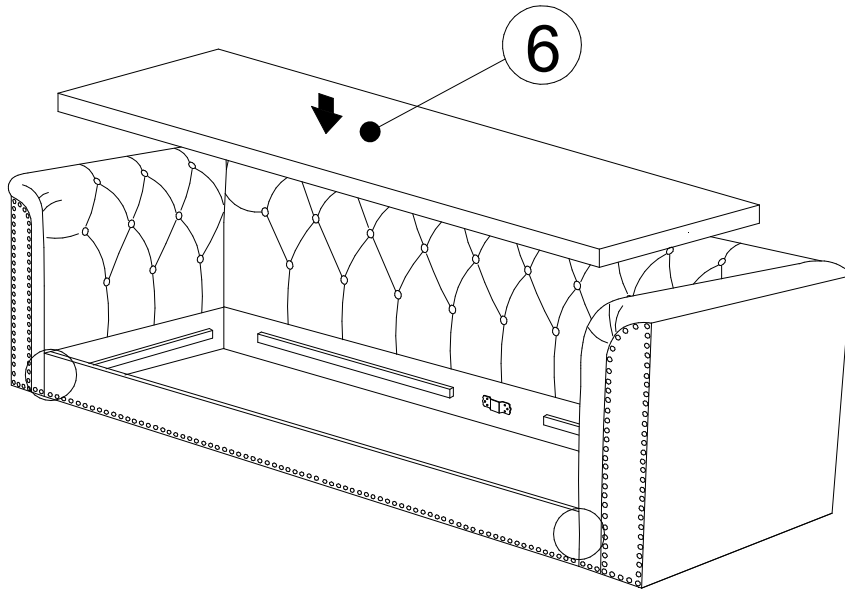
STEP 3.



Hook on and secure SEAT PANEL SUPPORT (7) to the two metal slots on both Front Rail (5) and Back Rest (1).

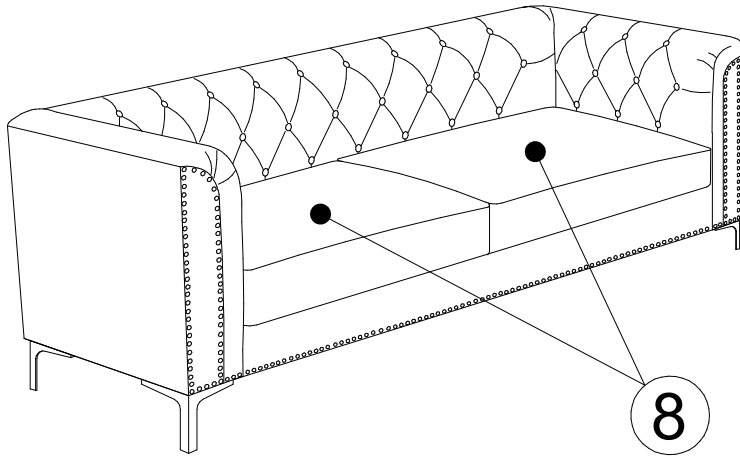
ASSEMBLY INSTRUCTION

STEP 4.



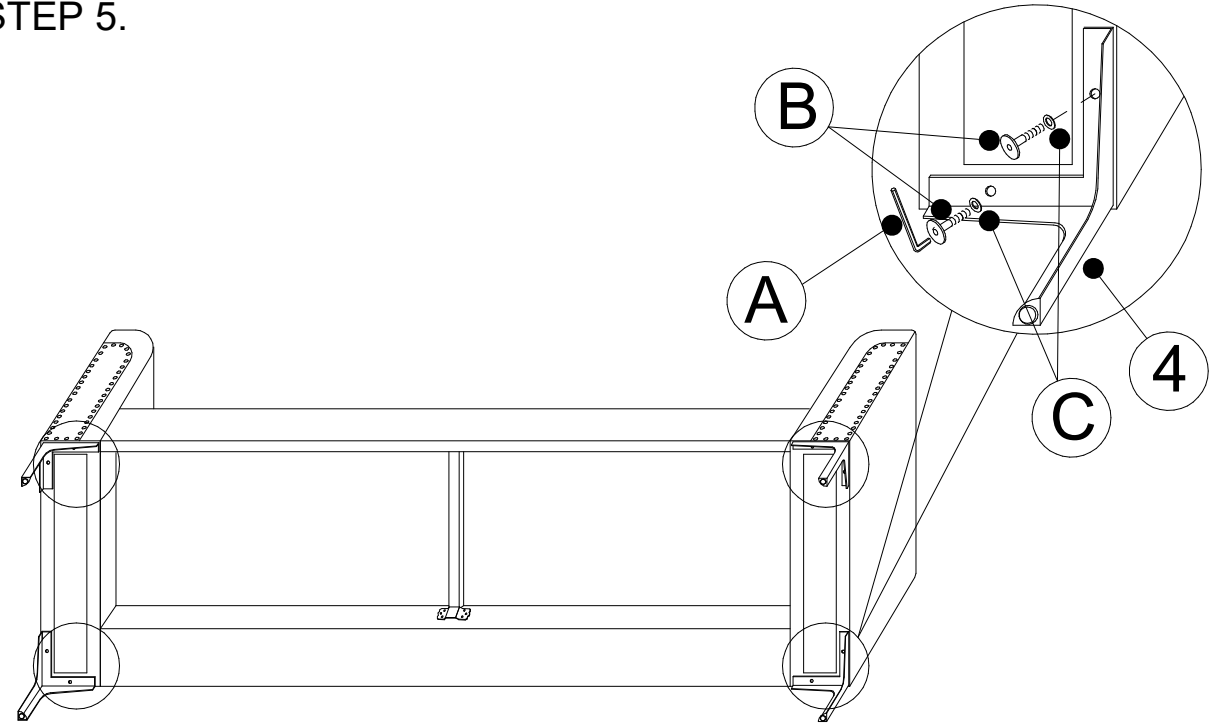
Lay the SEAT PANEL (6) on top of units frame.

STEP 6.



Attach the Seat Cushion (8) (2pcs).

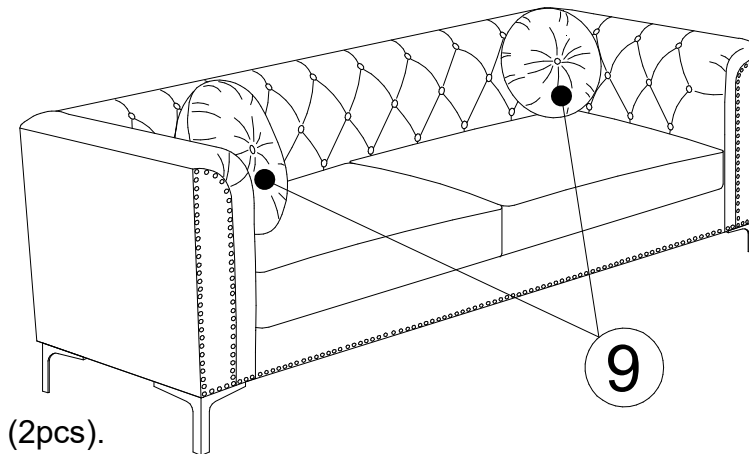
STEP 5.



For this step lay the unit on its back.

Attach LEGS (4) to the four corners of the unit. Legs are to be attached using Bolt (B), Washer (C) using Allen Key (A). Make sure the bolts are fully tightened and secure.

STEP 7.



Lay Pillows (9) (2pcs).