

# ASSEMBLY INSTRUCTION

## NOTES:

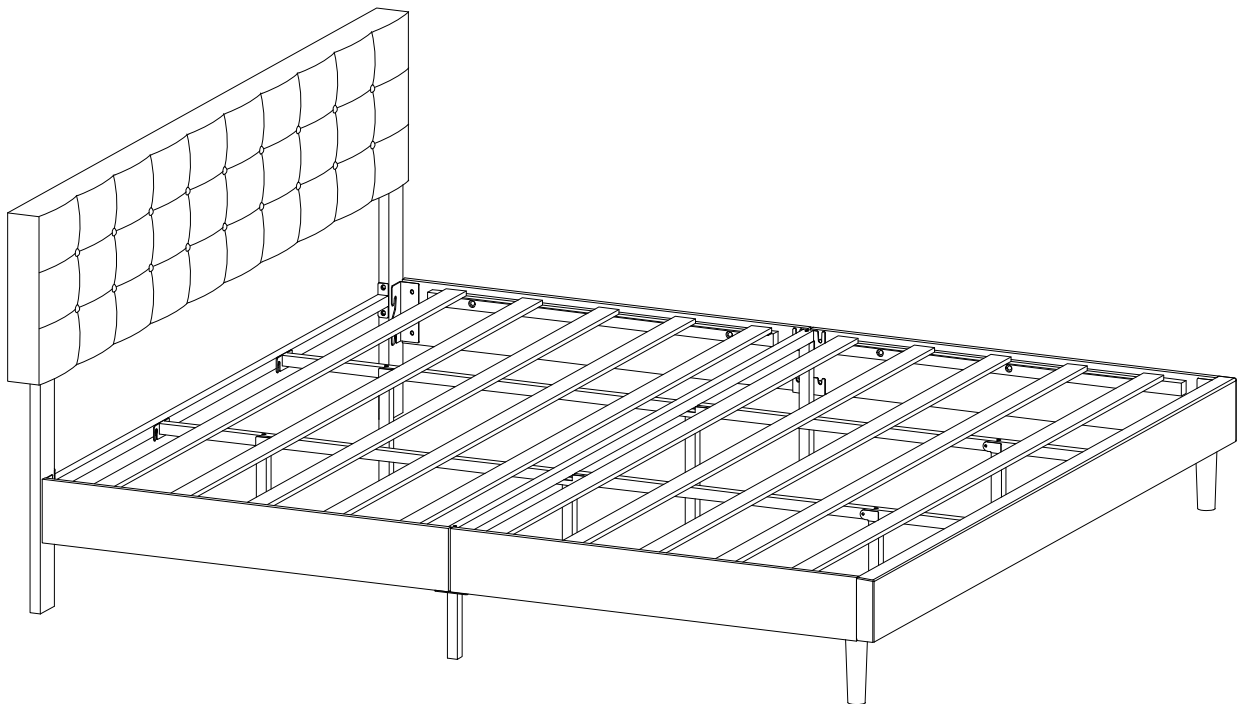
- Do not skip any step.
- Do not fully tight screws until all the bed parts are assembled.

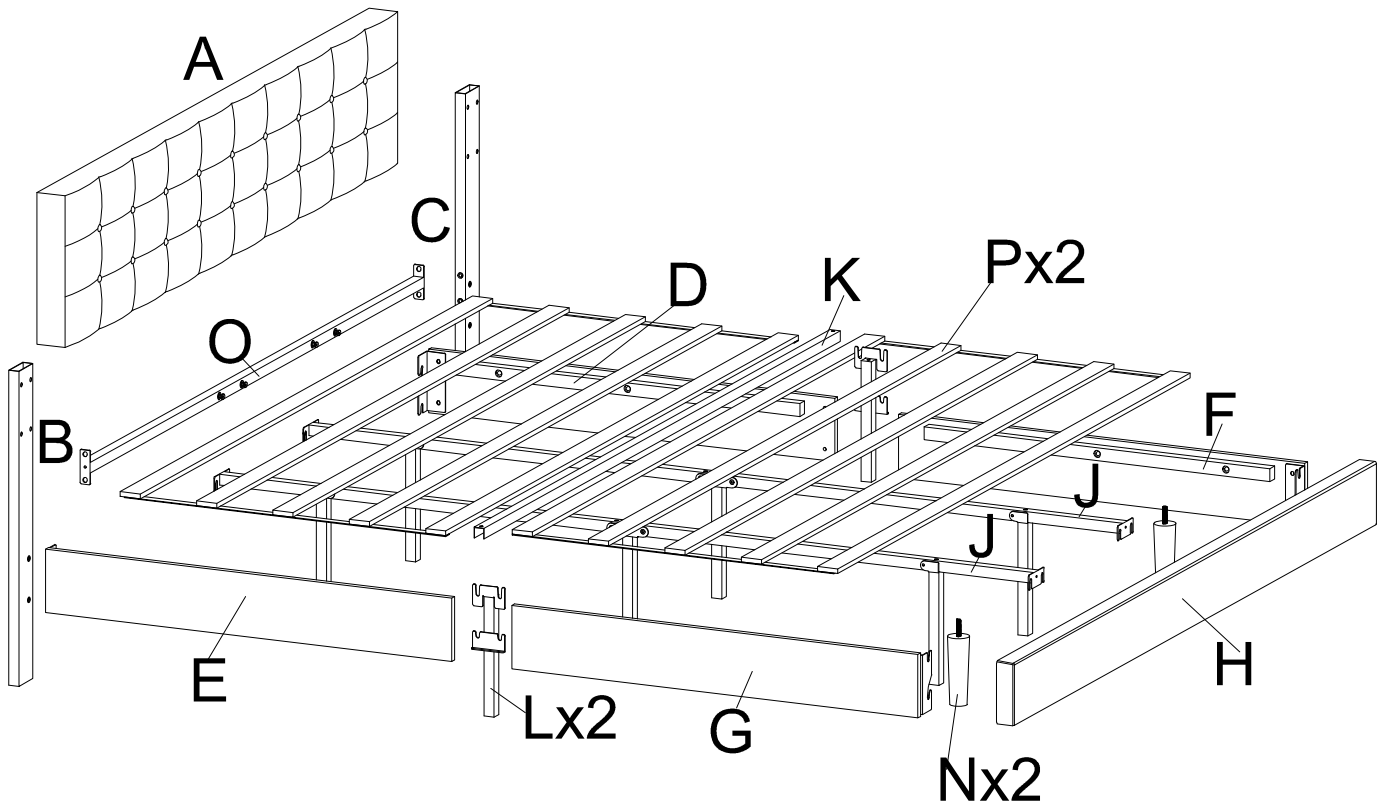
## WARNING:

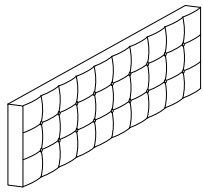
- WARNIND FOR YOUNG CHILDREN-This product contains small components,please ensure that they are kept away from small children while assembling.

## Warranty Information:

- We warranty this product to be free from defects in materials.This warranty covers one year from the date of original purchase.



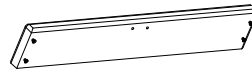


**A**

1PC

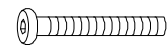
**H**

Comes with four (gg) screws



1PC

aa



M8x50

2

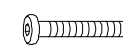
bb



M8x40

10

dd



M6x35

4

ee



5mm

1

ff



M8x15

4

gg



M8x25

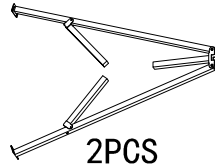
4

**B**

Comes with two ( ff ) screws



1PC

**J**

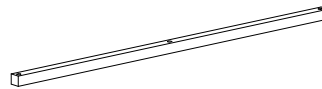
2PCS

**C**

Comes with two ( ff ) screws



1PC

**K**

1PC

**D**

Comes with two ( ff ) screws



1PC

**L**

2PCS

**E**

Comes with two ( ff ) screws



1PC

**N**

2PCS

**F**

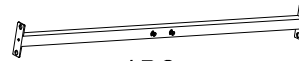
Comes with two ( ff ) screws



1PC

**O**

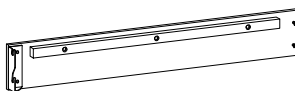
Comes with two (hh) screws



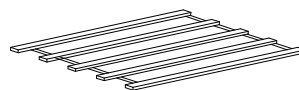
1PC

**G**

Comes with two ( ff ) screws



1PC

**P**

2PCS

SPARE

aa



1

bb



1

dd



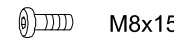
1

gg

M8x25  
Screws on the board

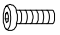

2

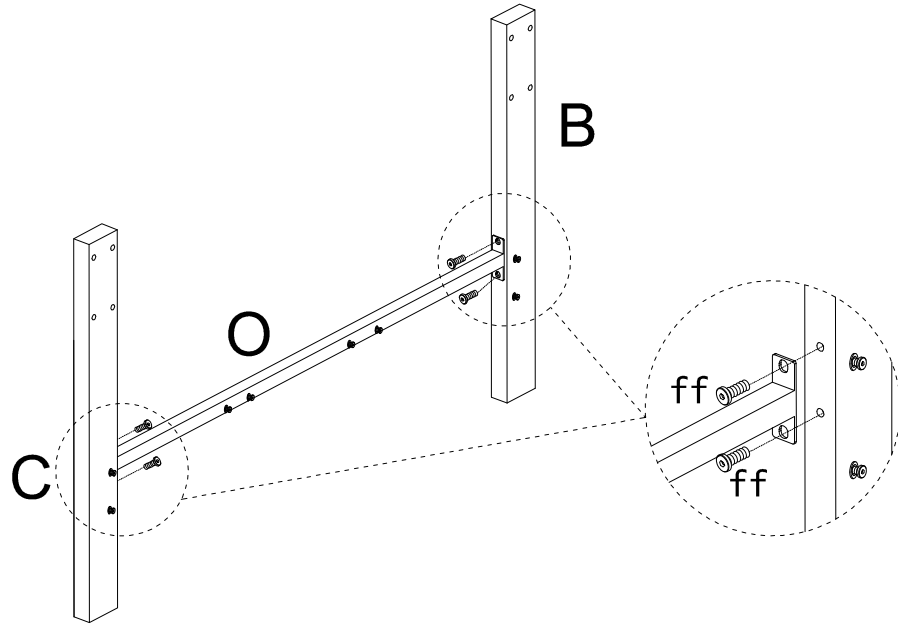
ff

M8x15  
Screws on the board

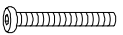

3

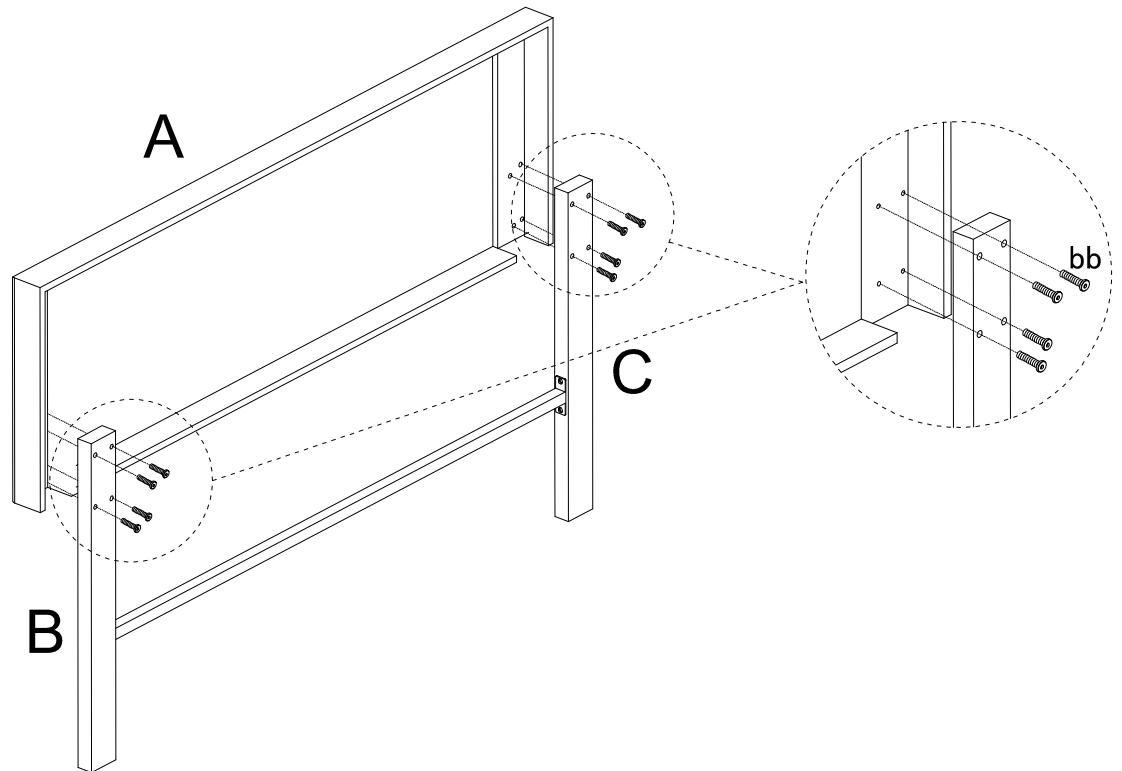
Step 1

ff		M8x15	4
ee		5mm	1



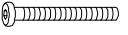

Step 2

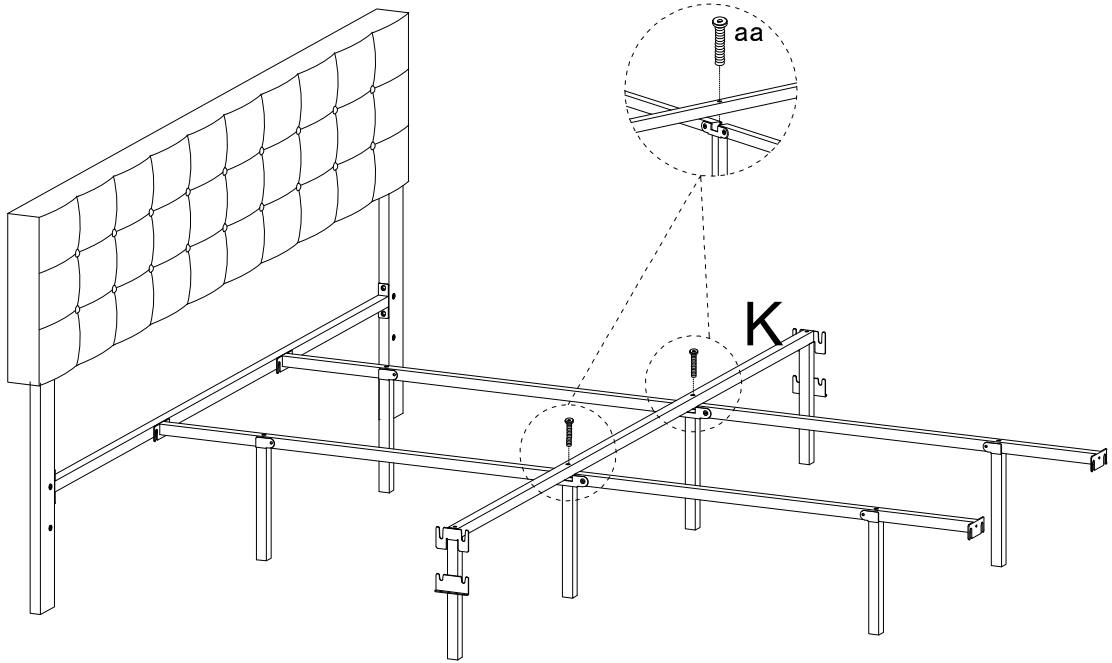
bb		M8x40	8
ee		5mm	1






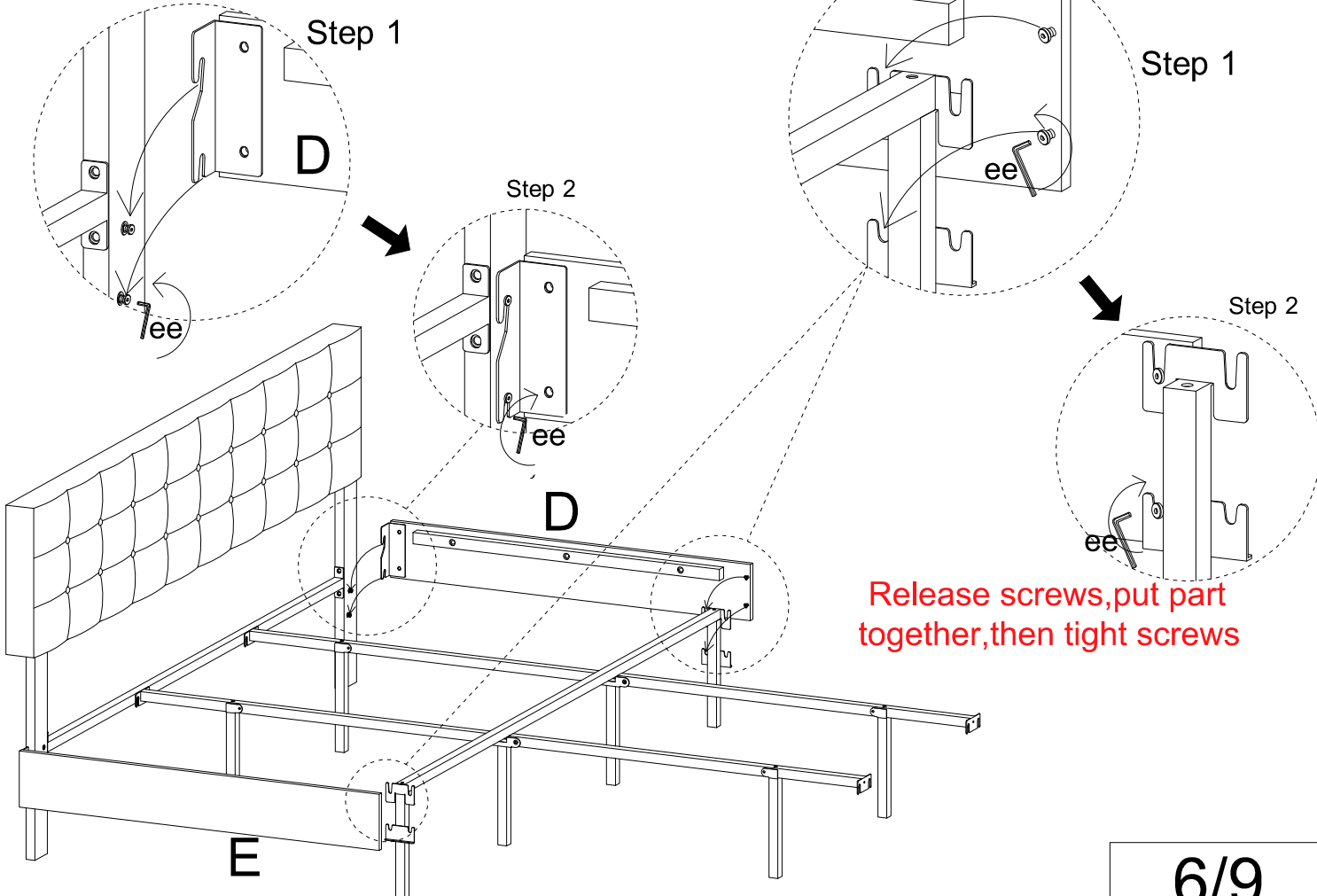
Step 5

aa		M8x50	2
ee		5mm	1



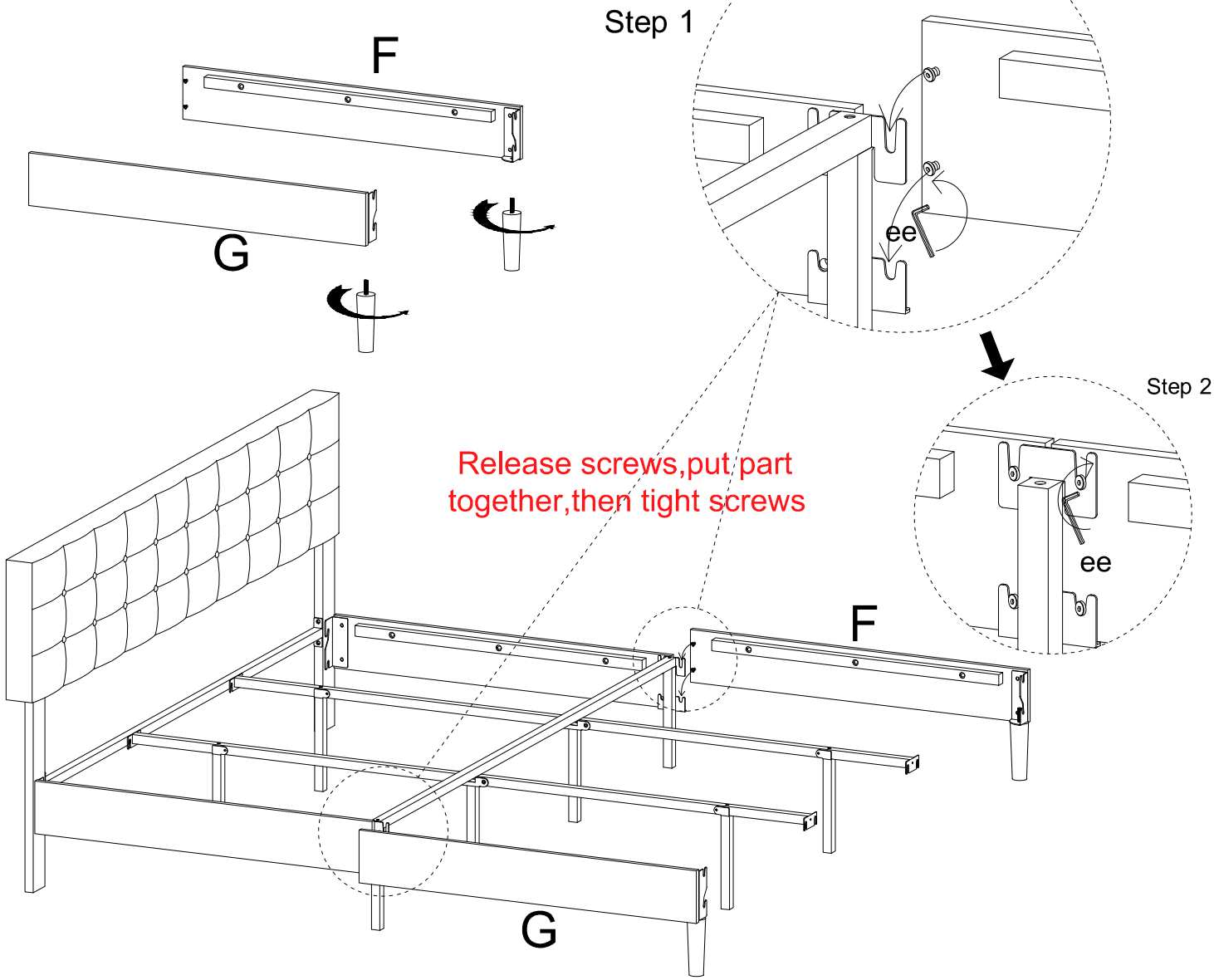
Step 6

ee		5mm	1
----	---	-----	---



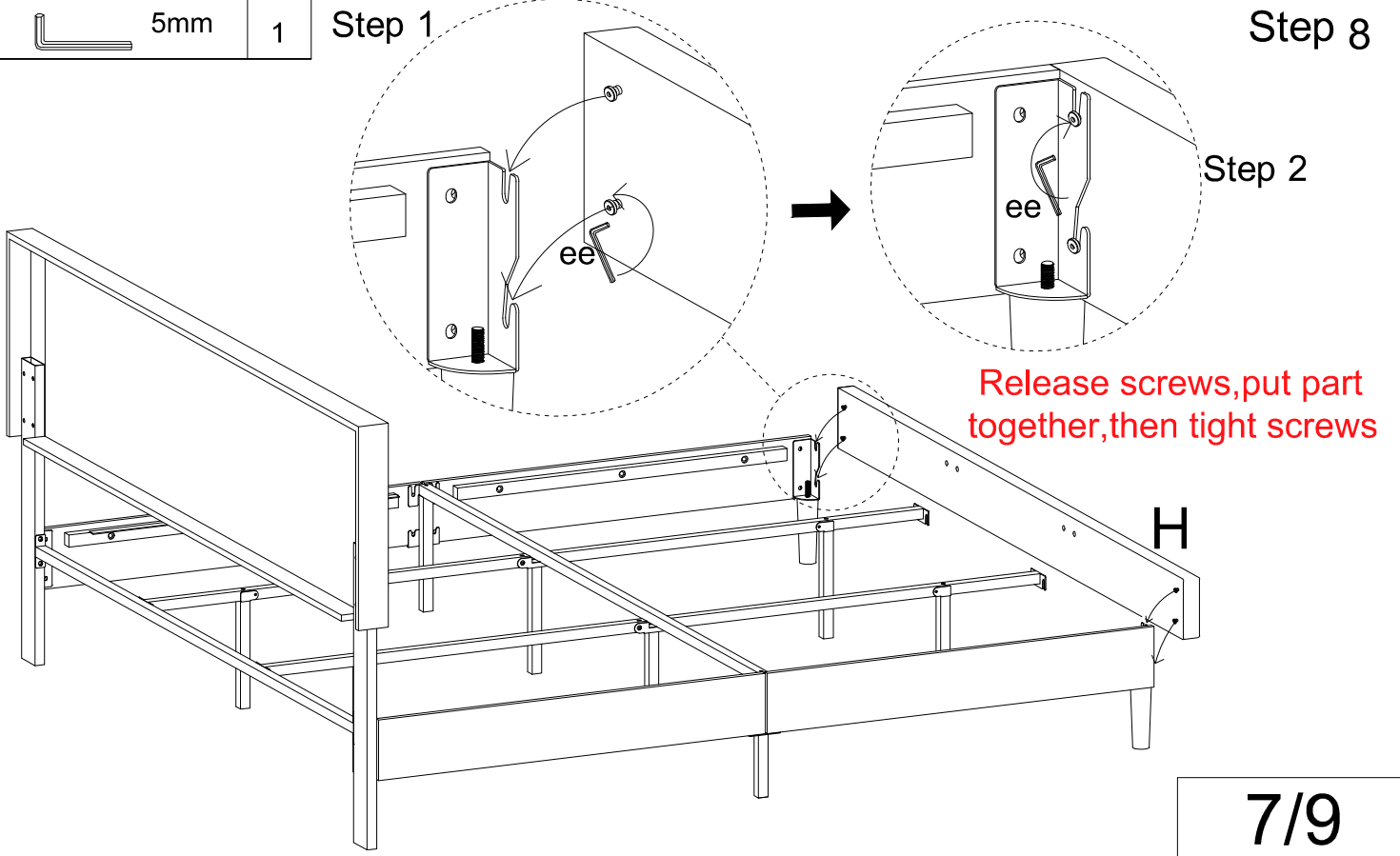
ee 5mm 1

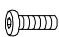


Step 7



ee 5mm 1

Step 8

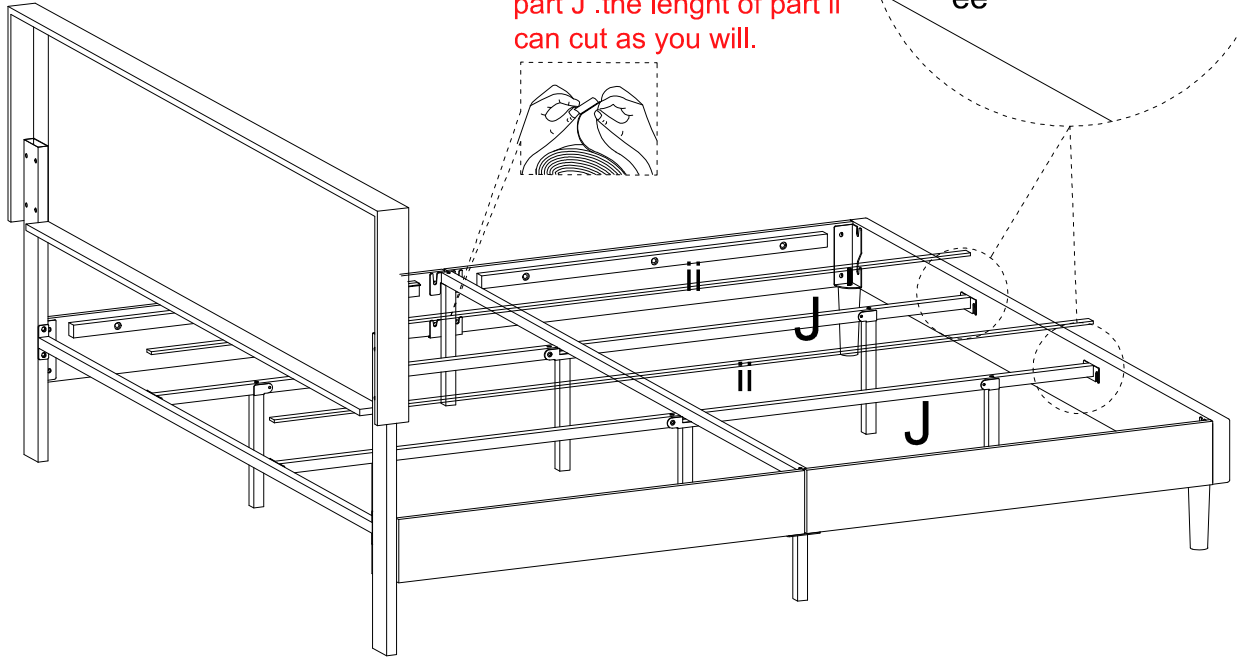
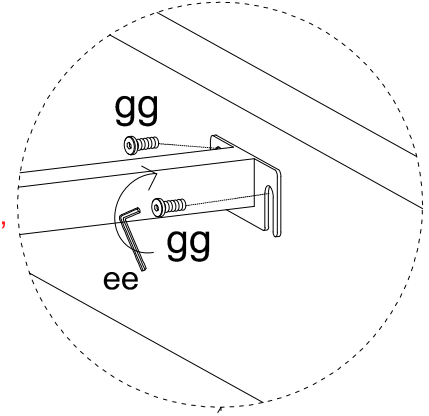


gg		M8x25	4	ee		5mm	1
ii			2				

Step 9

1. Tighten screw gg

2. To prevent friction noise, unroll part ii and fit it on part J. the length of part ii can cut as you will.



Step 10

