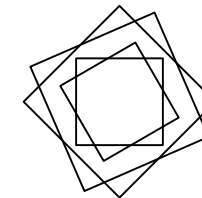
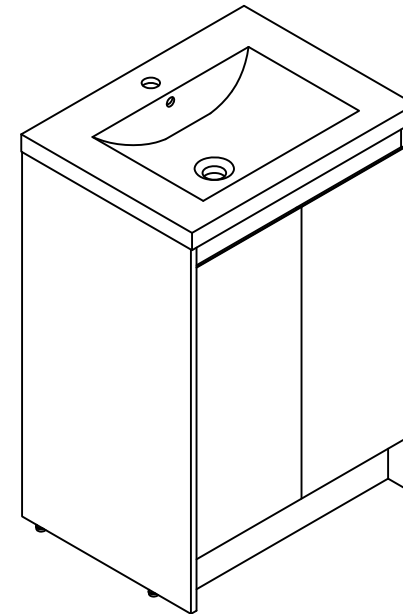


THANKS FOR WATCHING

Your feedback is invaluable to us and we would love to hear about your experience. Please take the time to leave us a review.



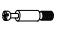





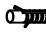






Thank you for shopping with us!

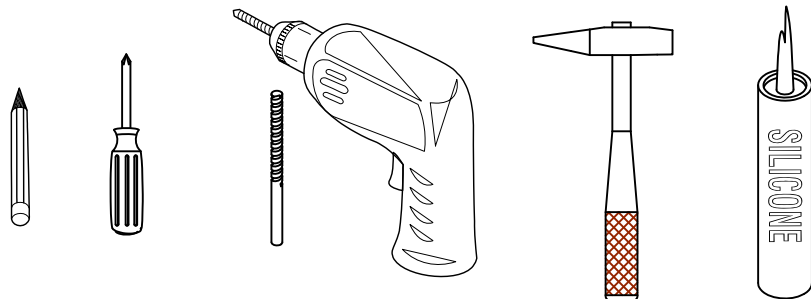
We encourage you to take a few minutes to go through this booklet. It contains important information on installation and care tips to keep your furniture looking as good as new.

Item NO.:BV B120 D24

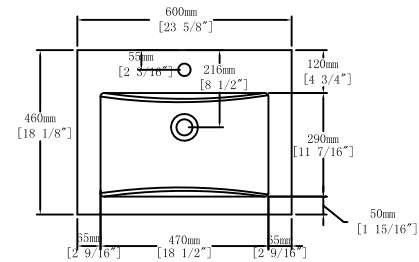
Hardware

NO.	Draw	QTY	NO.	Draw	QTY
A	 Screws Ø4x14mm	44	H	 Bracket (19x19x35mm)	2
B	 Two-in-one connector	24	I	 Hinges(Internal hiding)	4
C	 Two-in-one connector	24	J	 Adjustable feet	4
D	 Wood plug	4	K	 Movable laminate support	4
E	 Plastic anchor(Ø10mm)	2	L	 Anti-collision gasket	4
F	 Screws for fix on the wall	2	M	 Screwdriver	1
G	 Bracket (53x70x44mm)	2			

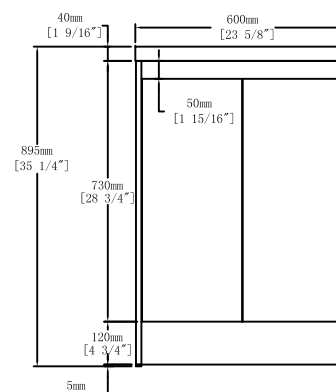
Recommended tools



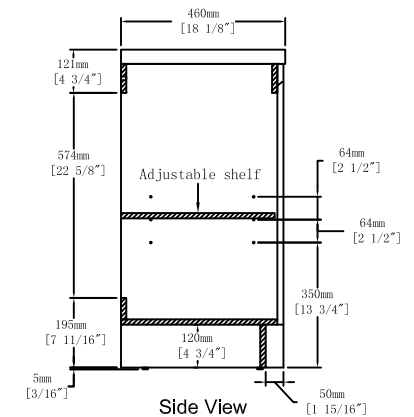
Dimensions



Top View



Front View



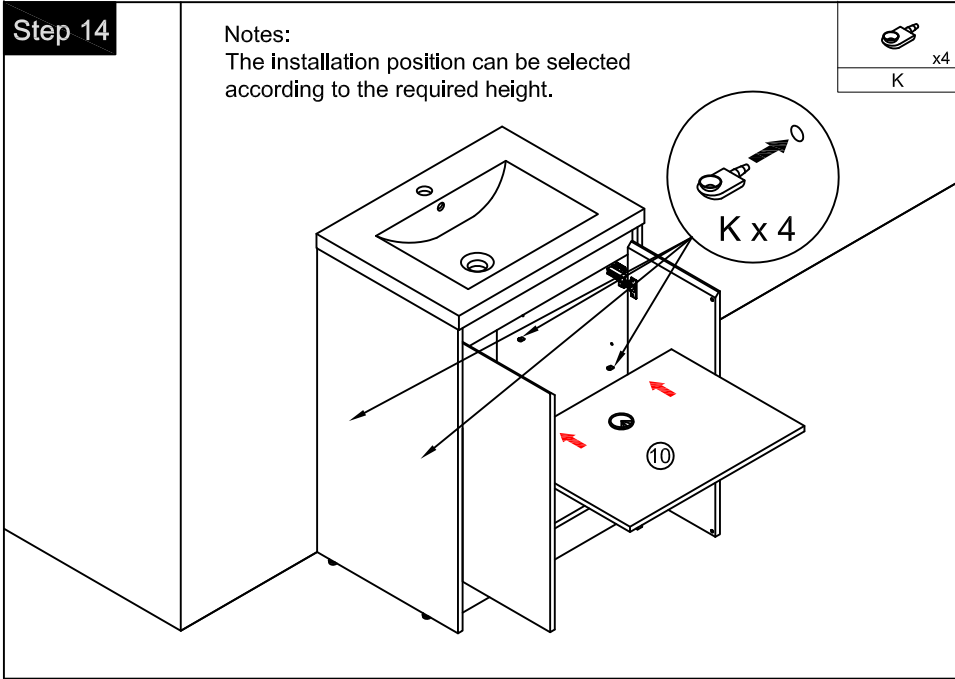
Side View

CARE CLEANING AND MAINTENANCE

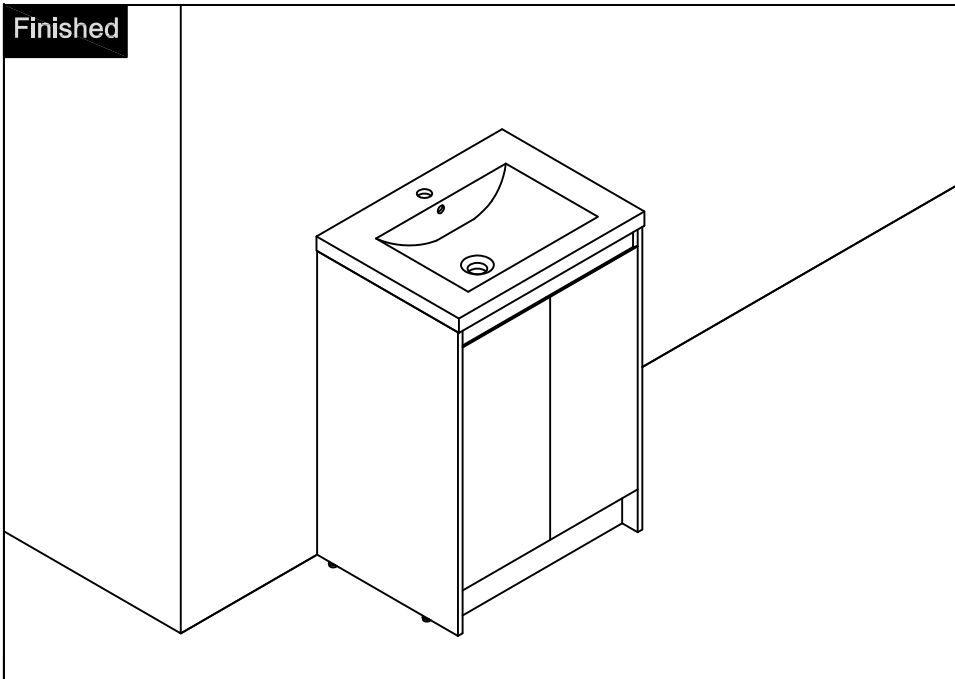
1. Dust regularly with a soft , dry cloth.
2. Avoid the use of all chemicals household cleaners, abrasives, or cleaners that contain lemon, vinegar, or other acids that may damage the finish.
3. Excessive exposure to sunlight and extreme changes in temperature and moisture can damage wood furniture.
4. The sink is fragile, please pay attention to maintaining its appearance.
5. Do not place hot appliances, such as curling irons and hot hair dryers directly on the countertop. Wipe spills immediately.

Step 14

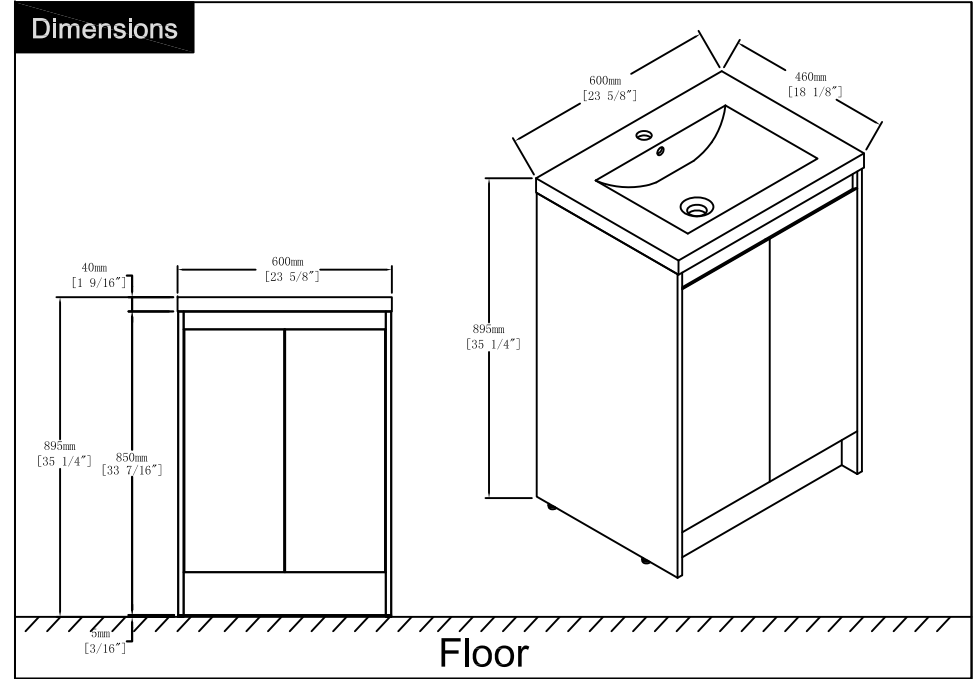
Notes:
The installation position can be selected according to the required height.



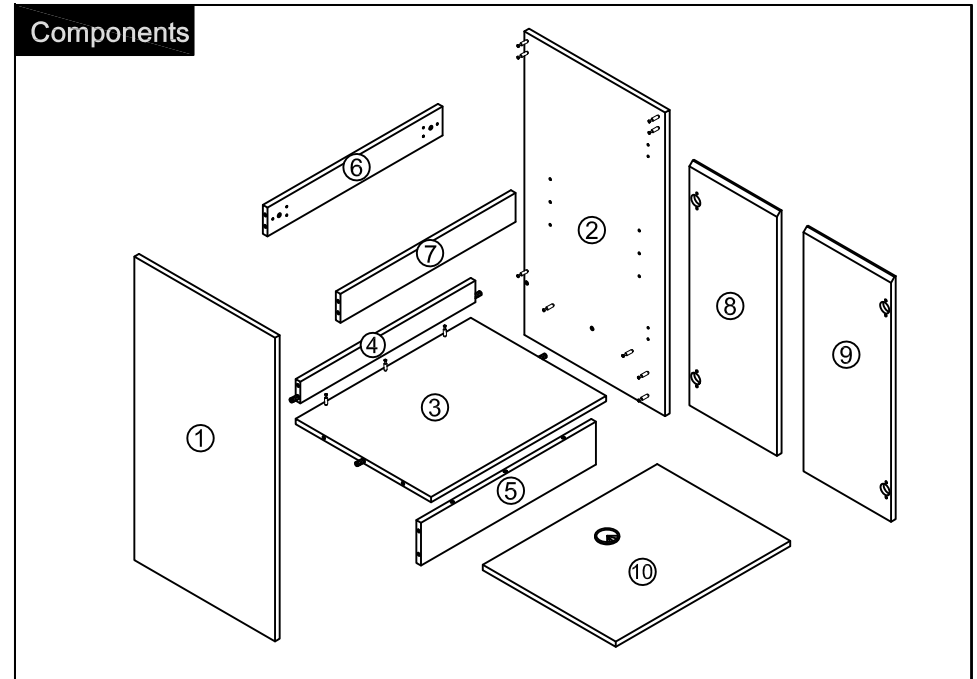
Finished

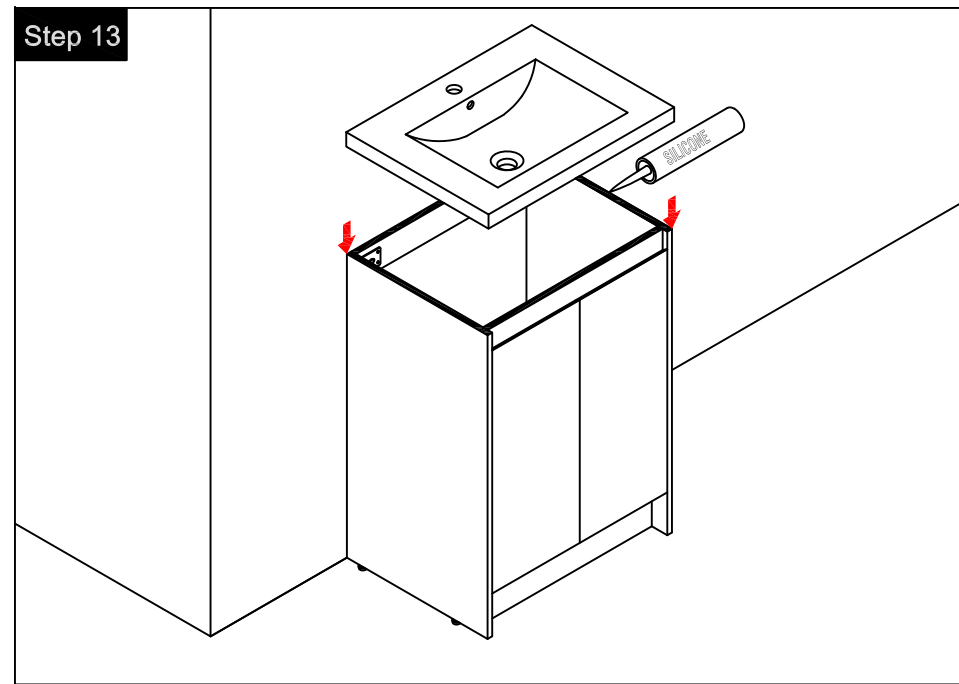
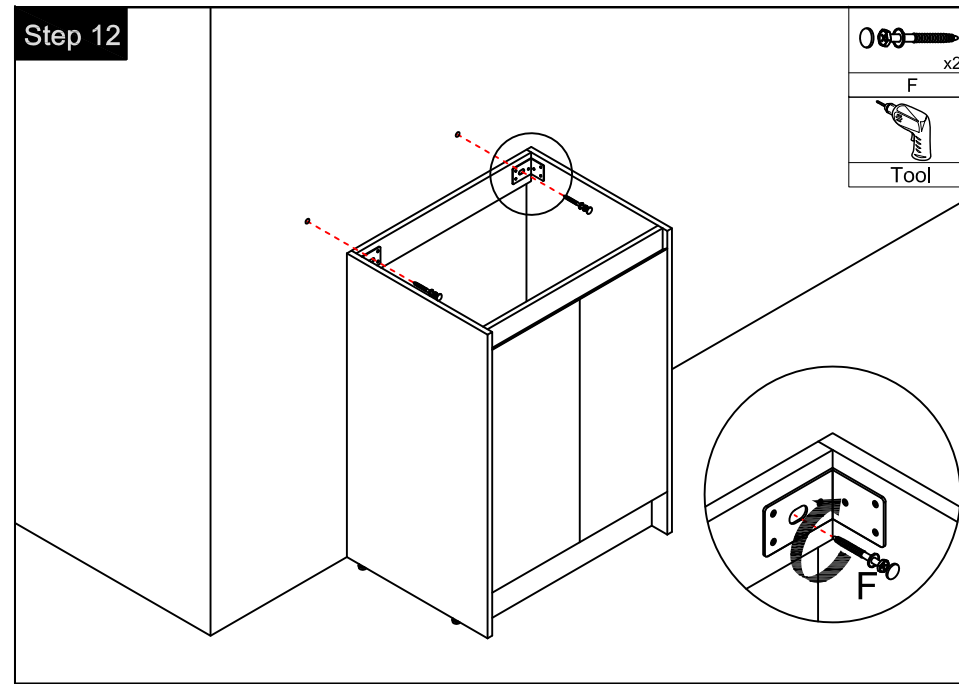
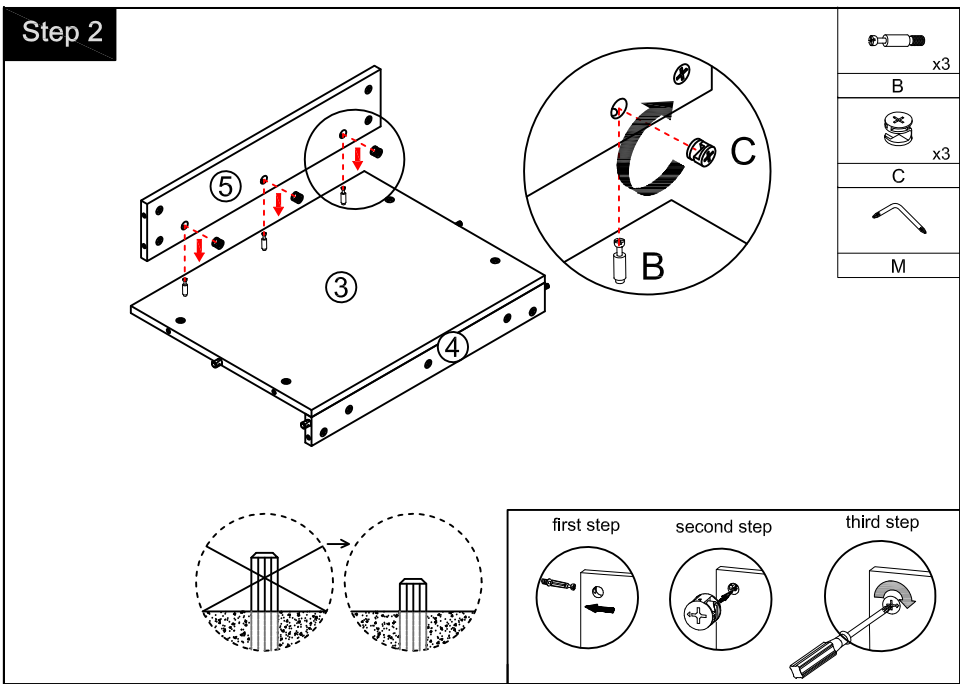
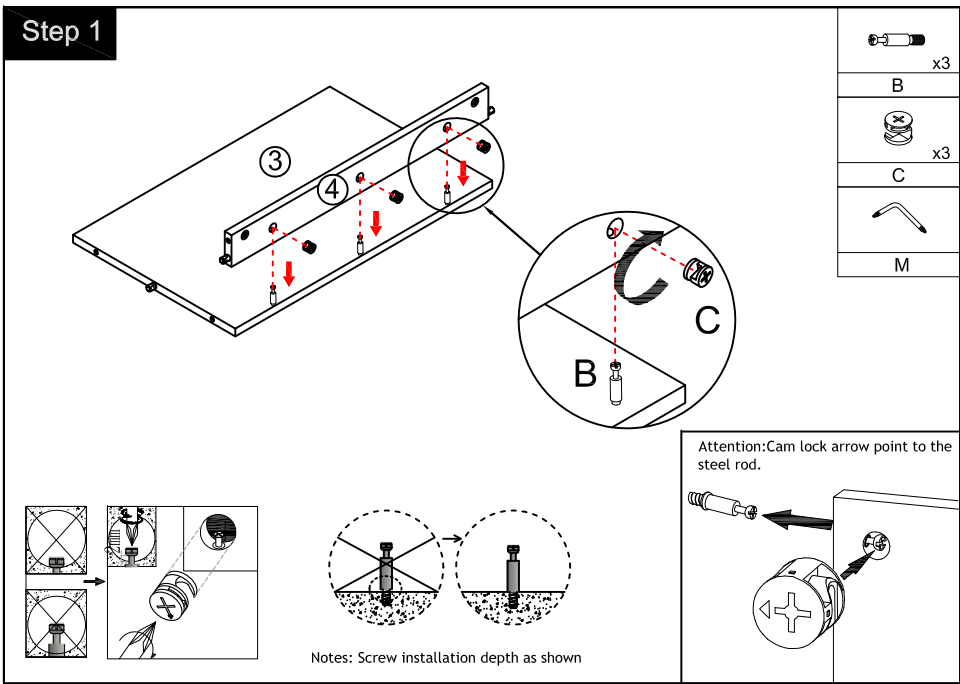


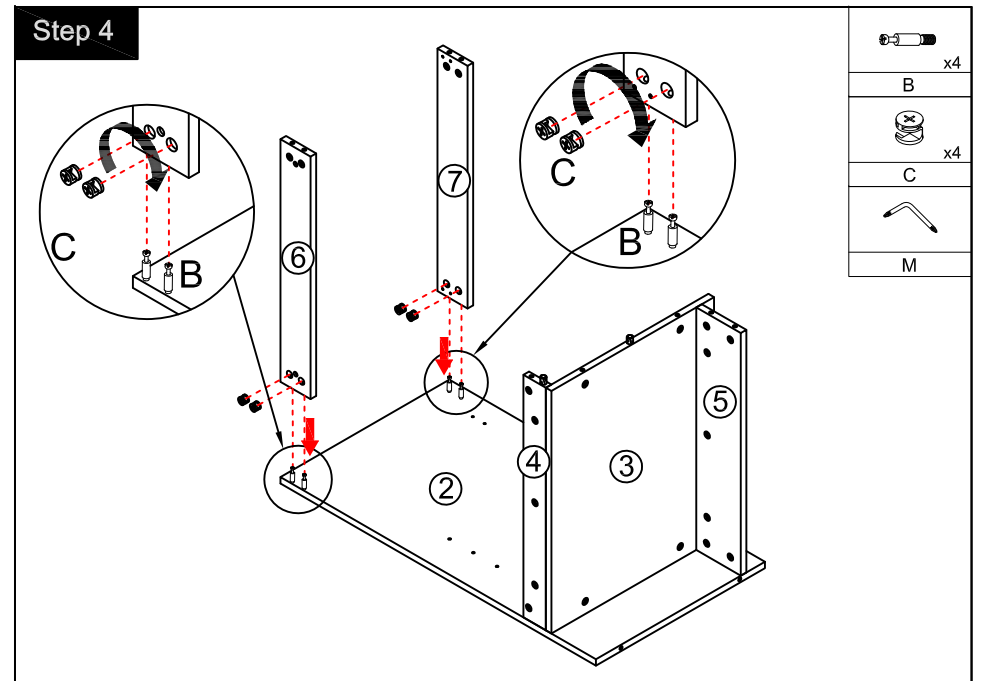
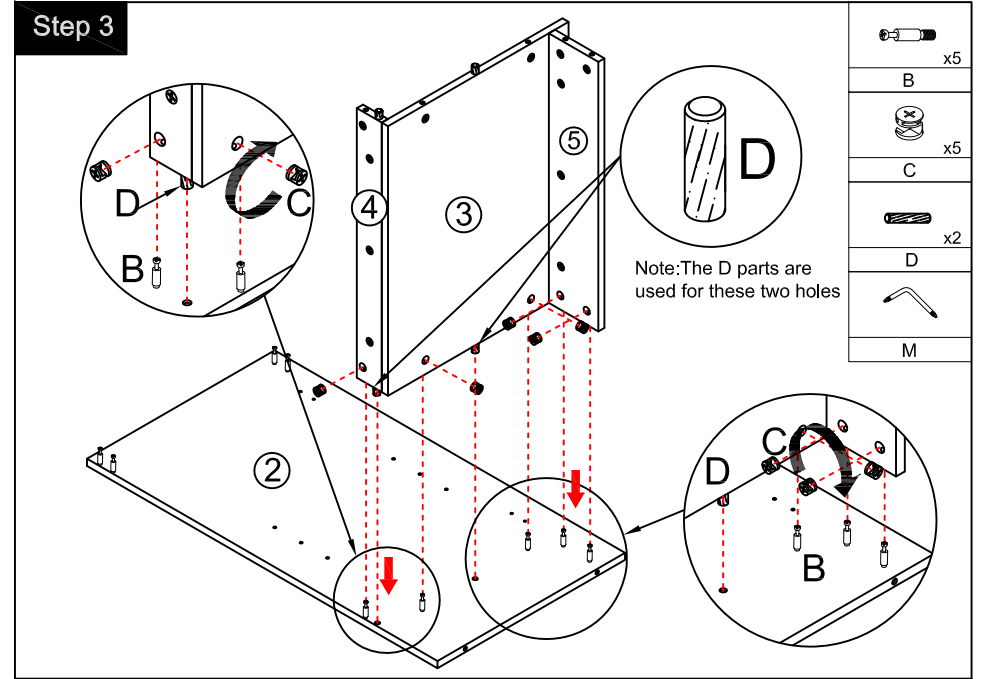
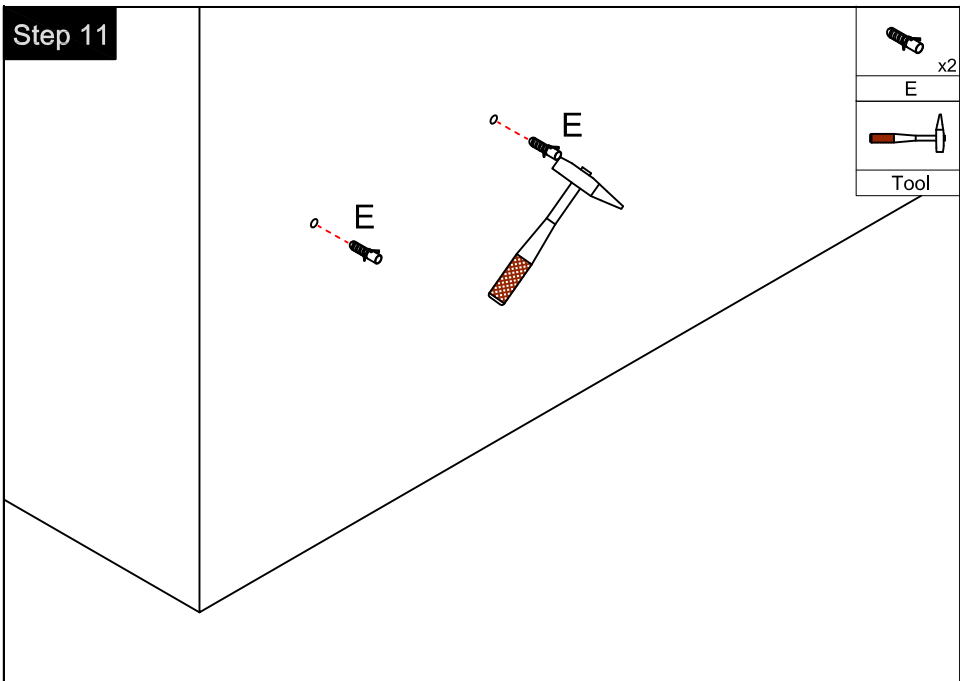
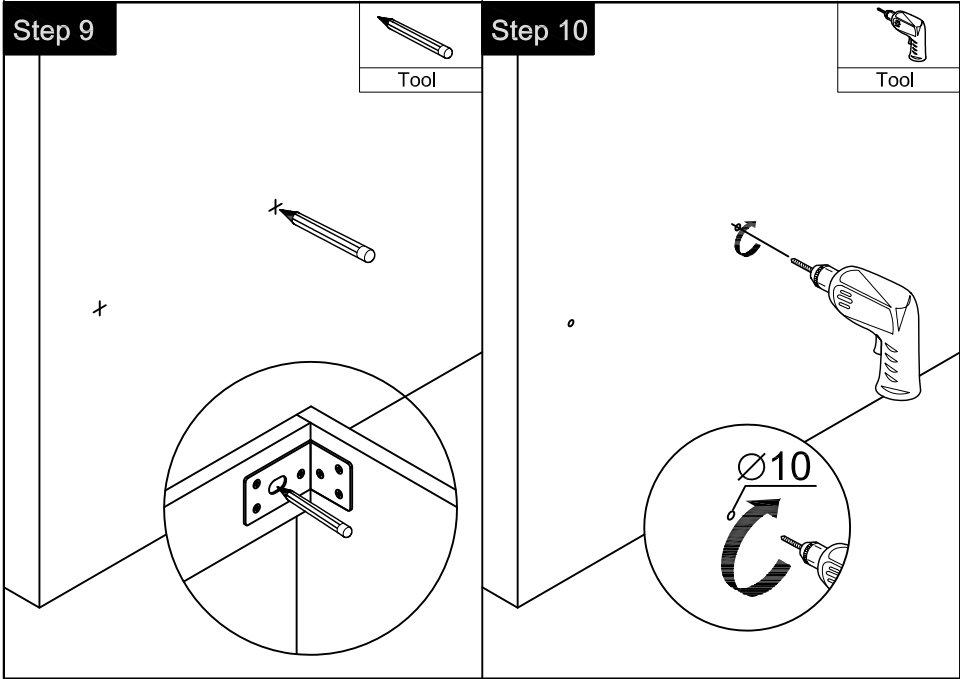
Dimensions



Components







Step 5

	x9
B	
	x9
C	
	x2
D	
M	

Note: The D parts are used for these two holes

Step 7

	x4
I	
($\varnothing 4 \times 14\text{mm}$)	
	x24
A	

You can adjust the doors by tightening or loosening the screws on the hinge. →

Step 6

	x2
G	
	x2
H	
($\varnothing 4 \times 14\text{mm}$)	
	x20
A	
Tool	

Step 8

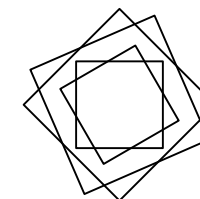
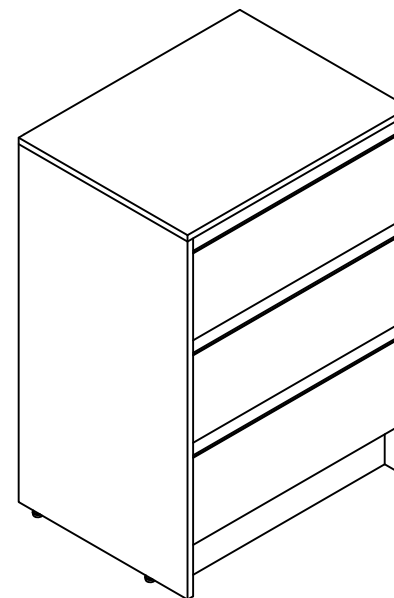
	x4
L	
	x4
J	

Installation Manual-BV B120 E24B

MOTIVATE
YOUR LIFE !

THANKS FOR WATCHING

Your feedback is invaluable to us and we would love to hear about your experience. Please take the time to leave us a review.



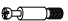


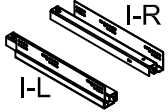



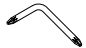
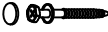


Thank you for shopping with us!

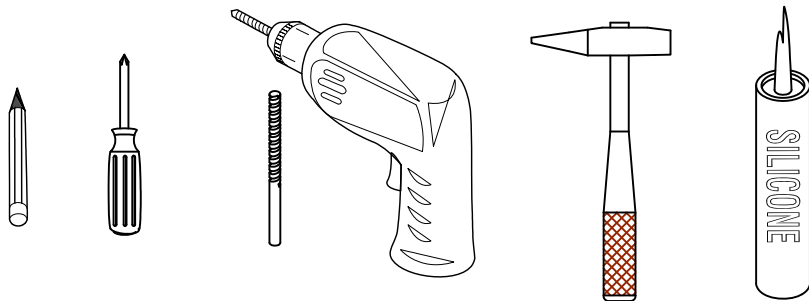
We encourage you to take a few minutes to go through this booklet. It contains important information on installation and care tips to keep your furniture looking as good as new.

Item NO.:BV B120 E24B

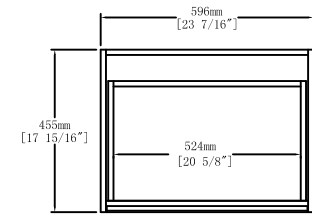
Hardware

NO.	Draw	QTY	NO.	Draw	QTY
A	 Screws Ø4x14mm	30	G	 Screws Ø4x20mm	12
B	 Two-in-one connector	64	H	 Adjustable feet	4
C	 Two-in-one connector	64	I	 Track	3
D	 Wood plug	8	J	 Anti-collision gasket	12
E	 Plastic anchor(Ø10mm)	2	K	 Screwdriver	1
F	 Screws for fix on the wall	2			

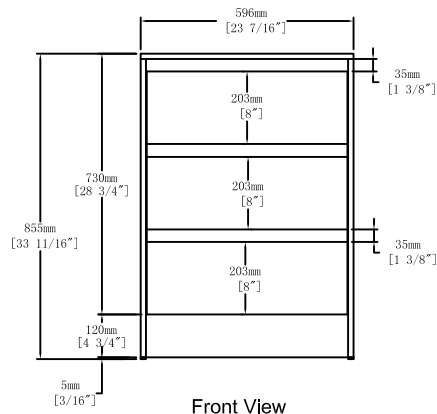
Recommended tools



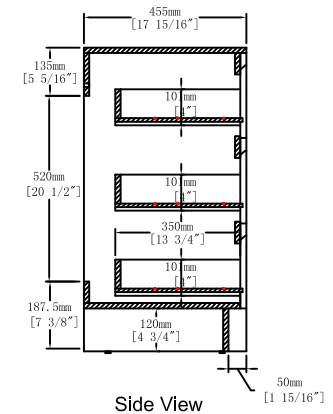
Dimensions



Top View



Front View

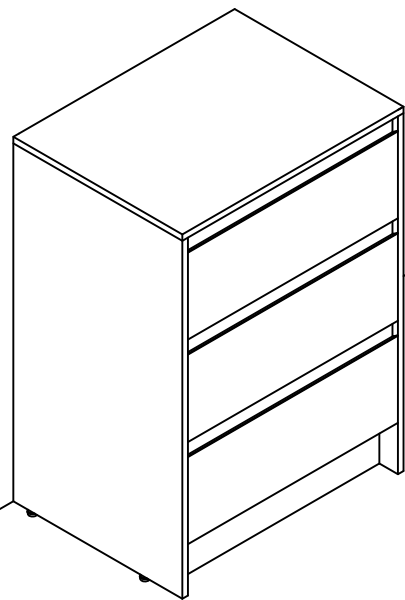


Side View

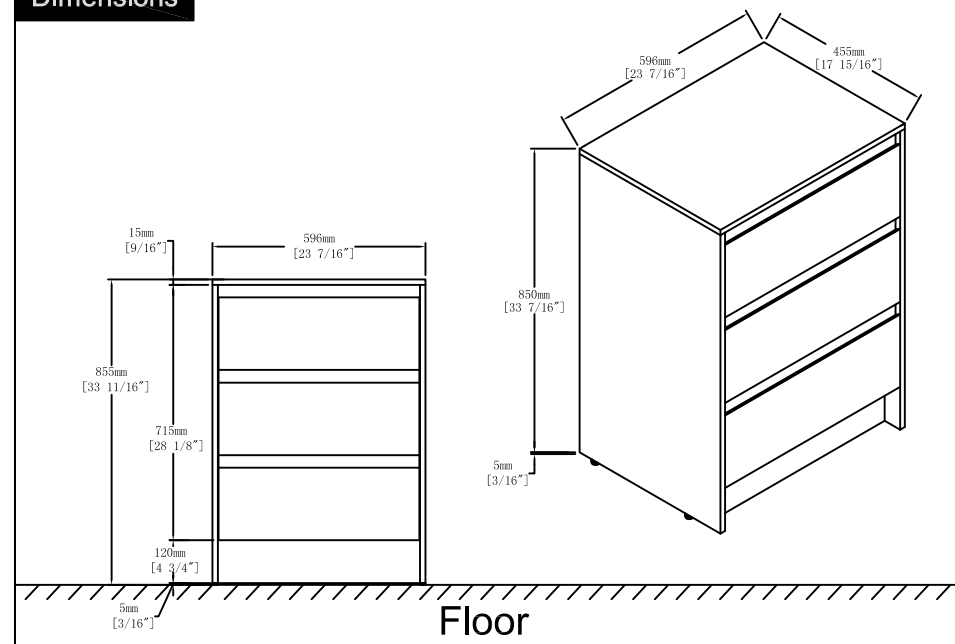
CARE CLEANING AND MAINTENANCE

1. Dust regularly with a soft , dry cloth.
2. Avoid the use of all chemicals household cleaners, abrasives, or cleaners that contain lemon, vinegar, or other acids that may damage the finish.
3. Excessive exposure to sunlight and extreme changes in temperature and moisture can damage wood furniture.
4. Do not place hot appliances, such as curling irons and hot hair dryers directly on the countertop. Wipe spills immediately.

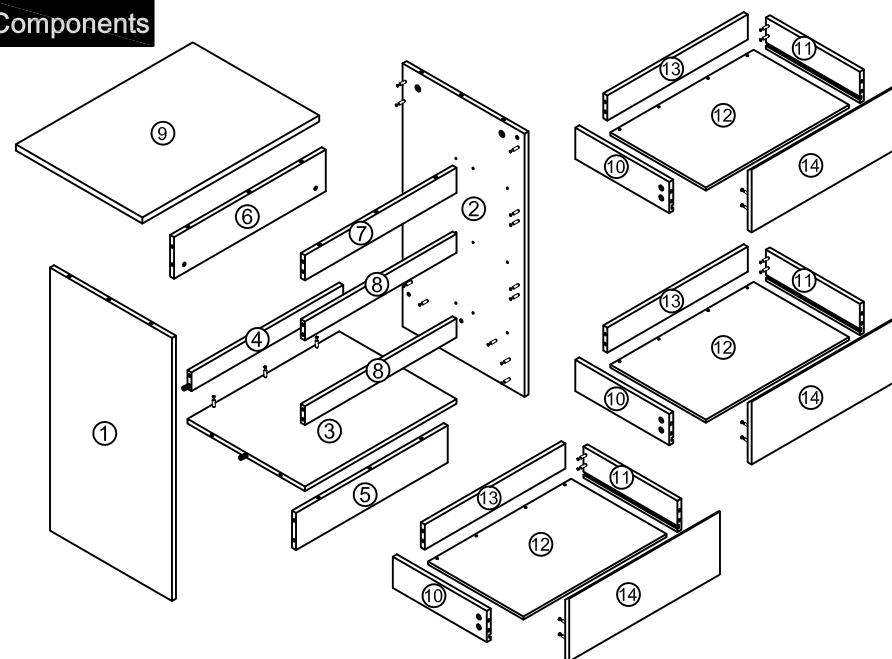
Finished



Dimensions



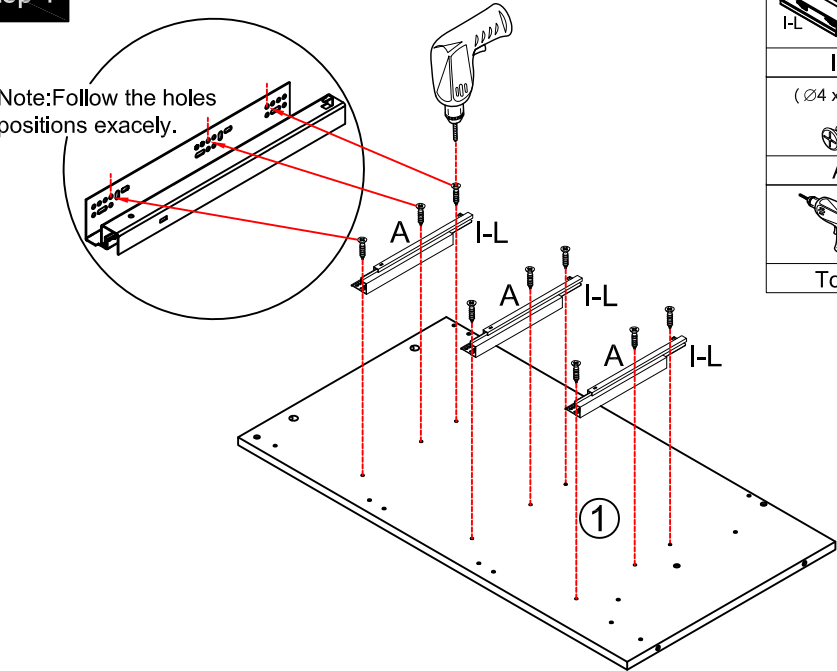
Components



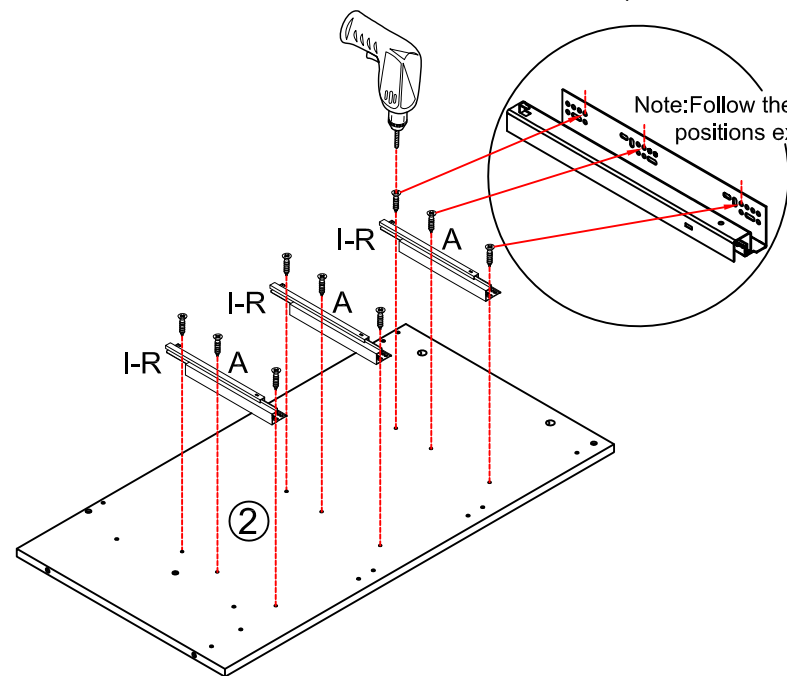
Step 1

Note: Follow the holes positions exactly.

- I-R x3
- I-L x3
- (∅4 x 14mm) x18
- A x18
- Tool

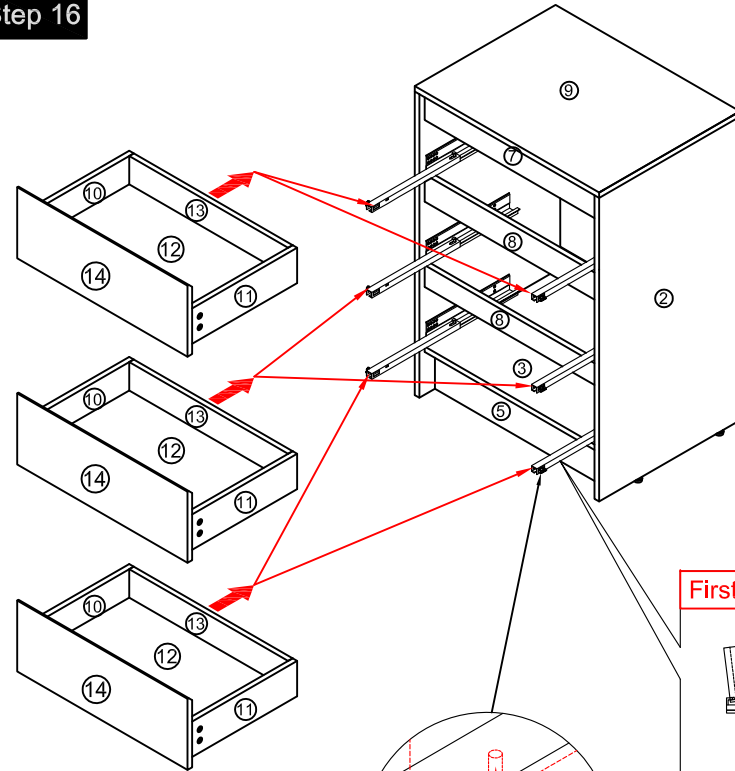


Note: Follow the holes positions exactly.

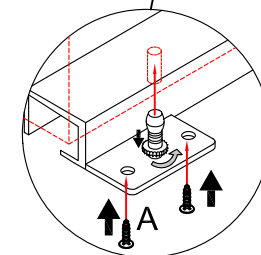
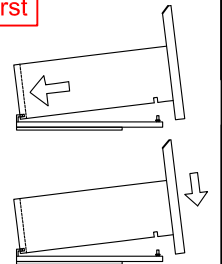


Step 16

- (∅4 x 14mm) x12
- A x12
- Tool

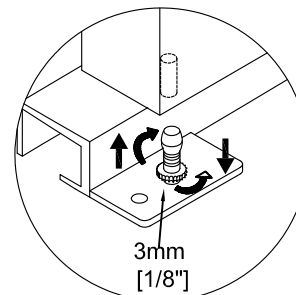
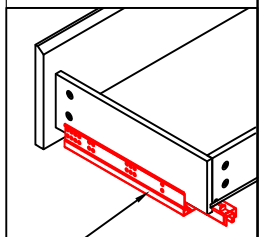


First



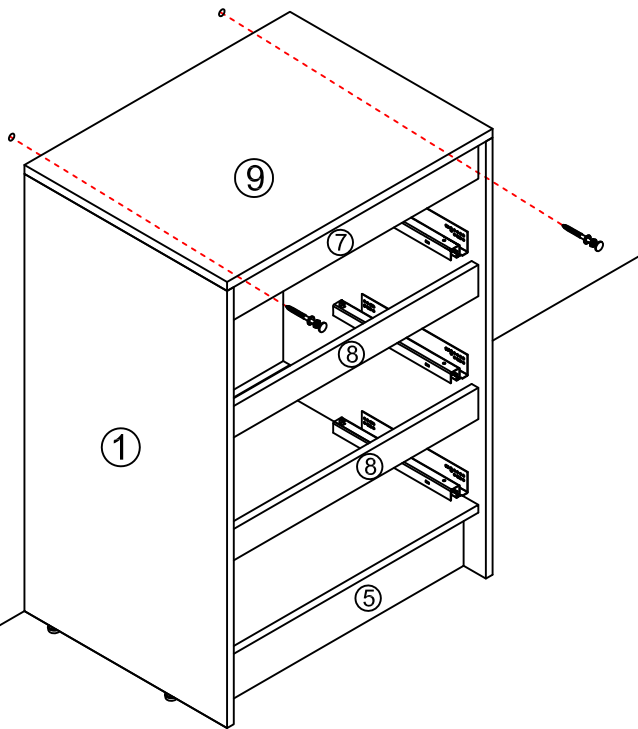
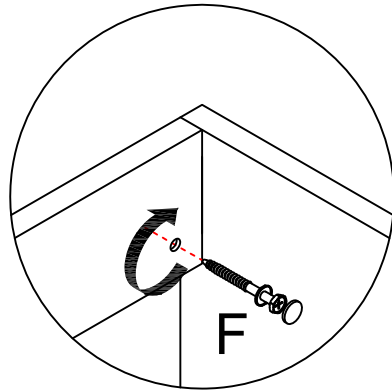
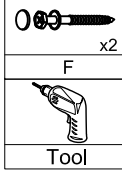
Third step: The bottom of the rail is fixed with screw A.

Second step: Tuck the rear holes.

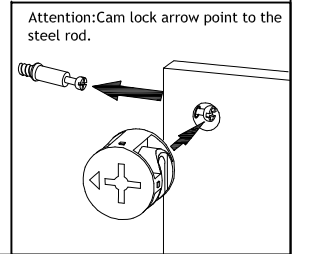
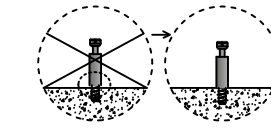
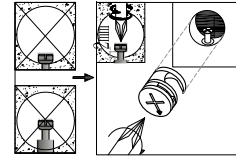
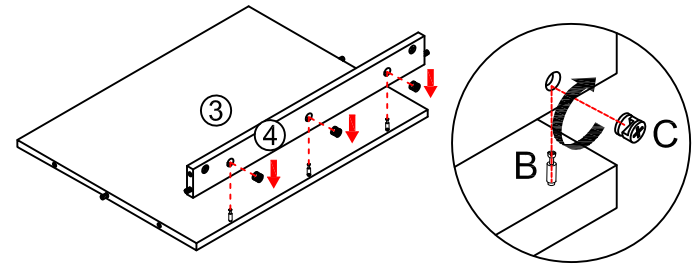
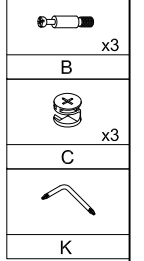


Note: The rails adjust their height 3mm.

Step 15

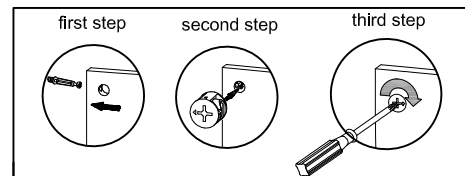
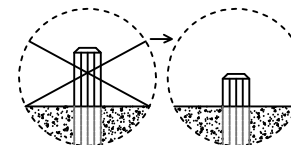
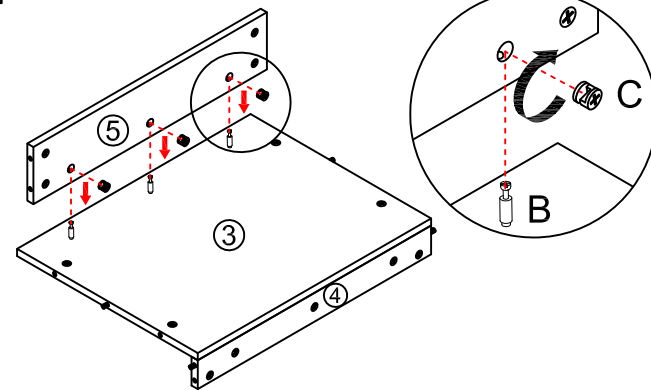
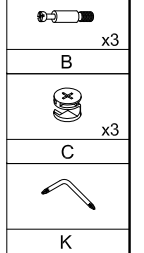


Step 2

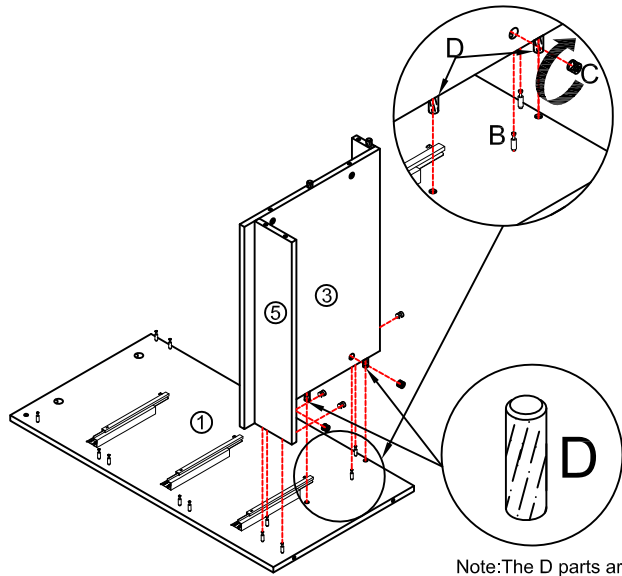


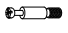
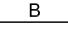

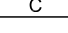
Notes: Screw installation depth as shown

Step 3



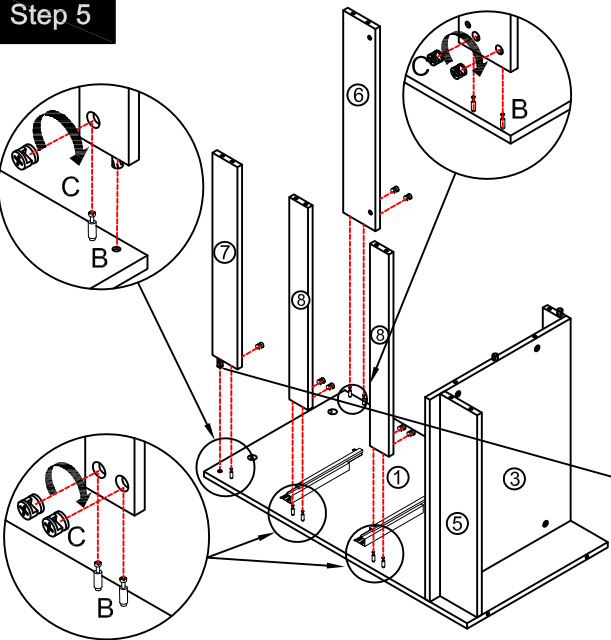
Step 4

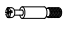
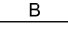

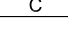


-  x5
-  x5
-  x2
- 

Note: The D parts are used for these two holes

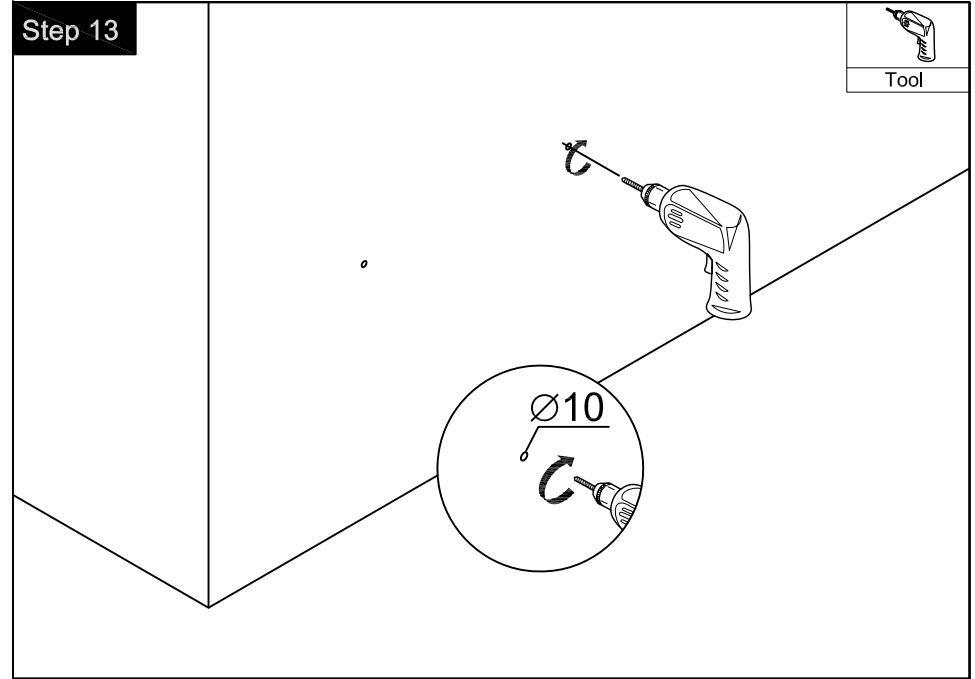
Step 5




-  x7
-  x7
-  x1
- 

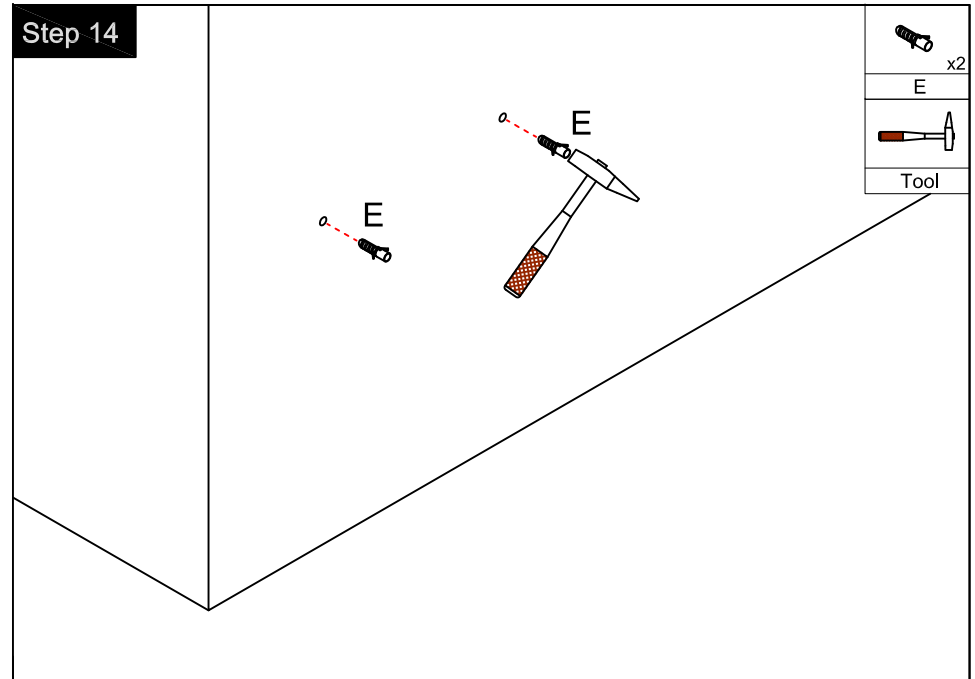
Note: The D parts are used for these this hole




Step 13



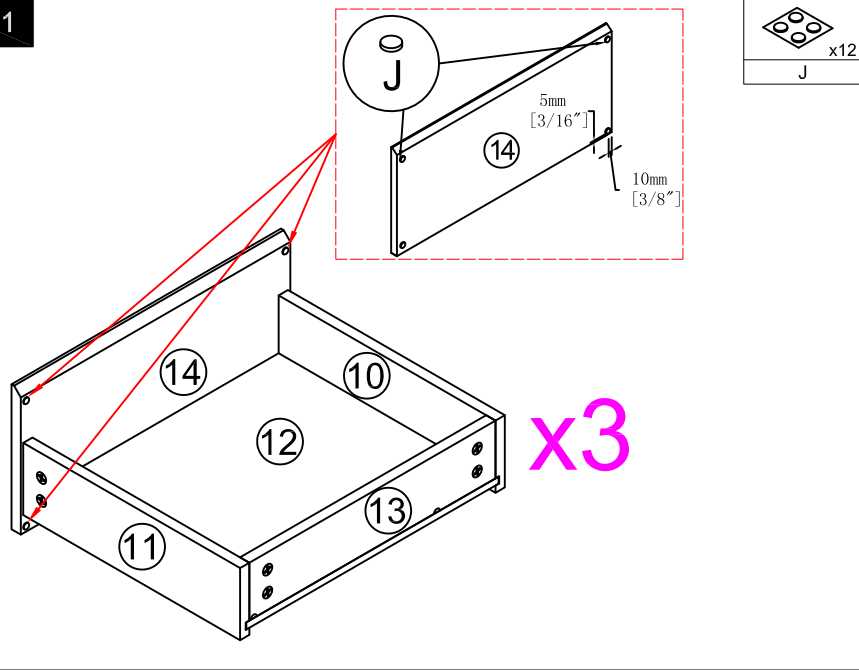
-  Tool

Step 14

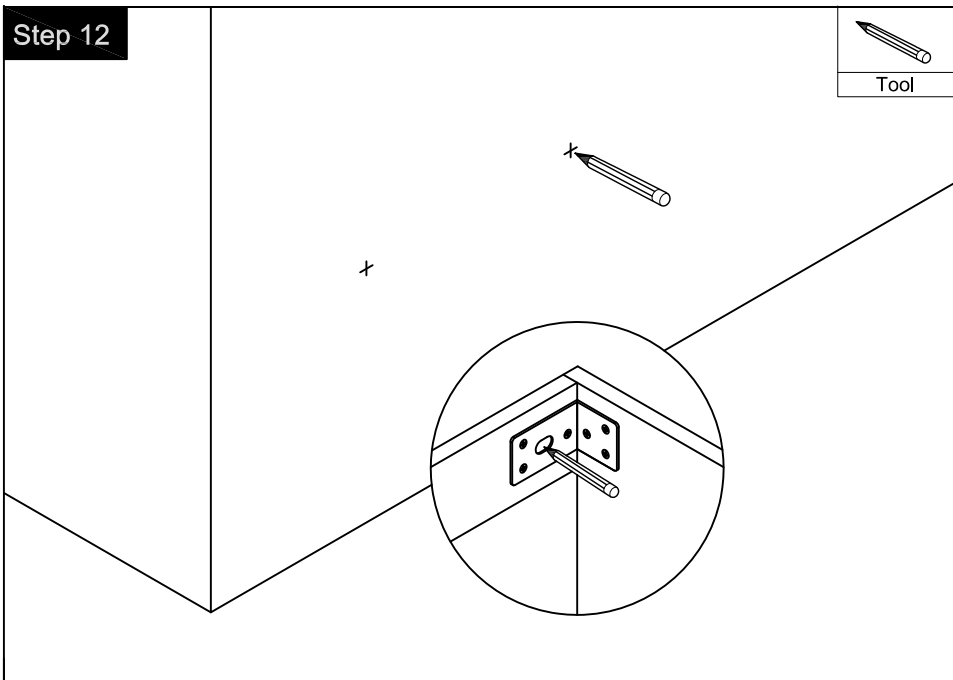


-  x2
-  E
-  Tool

Step 11



Step 12



Step 6

