

ASSEMBLY INSTRUCTIONS



Fine Furniture for every stage of life

Vanity Set

REVISION 0 : 07/15/2020

REVISION 1 : 02/07/2022

REVISION 2 : 03/27/2025

PAGE 1 OF 11

ASSEMBLY INSTRUCTIONS

ASSEMBLY TIPS:

- 1.Remove hardware from box and sort by size.
- 2.Please check to see that all hardware and parts are present prior to start of assembly.
- 3.Please follow attached instructions in the same sequence as numbered to assure fast & easy assembly.

WARNING!



1. Don't attempt to repair or modify parts that are broken or defective. Please contact the store immediately.
2. This product is for home use only and not intended for commercial establishments.



ASSEMBLY TIME



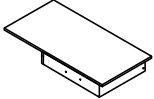
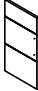
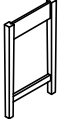

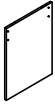



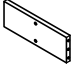
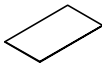
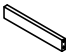
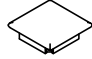
30 MINUTES

PARTS IDENTIFICATION

B1 (BOX 1)

A MIRROR  1PC

B2 (BOX 2)

B MIRROR SUPPORT  2PCS	I BACK PANEL  1PC
C DESK TOP  1PC	J DOOR  1PC
D RIGHT LEG FRAME  1PC	K BOTTOM PANEL  1PC
E LEFT PANEL  1PC	L LEG  4PCS
F MIDDLE PANEL  1PC	M STOOL LEG  4PCS
G BIG SUPPORT BAR  1PC	N SHELF  1PC
H SMALL SUPPORT BAR  1PC	O STOOL SEAT CUSHION WITH FRAME  1PC

ASSEMBLY INSTRUCTIONS

ASSEMBLY TIPS:

- 1.Remove hardware from box and sort by size.
- 2.Please check to see that all hardware and parts are present prior to start of assembly.
- 3.Please follow attached instructions in the same sequence as numbered to assure fast & easy assembly.

WARNING!



1. Don't attempt to repair or modify parts that are broken or defective. Please contact the store immediately.
2. This product is for home use only and not intended for commercial establishments.

ASSEMBLY TIME

30 MINUTES

PARTS IDENTIFICATION

B2 (BOX 2)

P HINGE WITH SCREW



2SETS

Q ADAPTER PLUG



1PC

Y HANDLE WITH SCREW



1SET

ASSEMBLY INSTRUCTIONS

ASSEMBLY TIPS:

1. Remove hardware from box and sort by size.
2. Please check to see that all hardware and parts are present prior to start of assembly.
3. Please follow attached instructions in the same sequence as numbered to assure fast & easy assembly.












WARNING!



1. Don't attempt to repair or modify parts that are broken or defective. Please contact the store immediately.
2. This product is for home use only and not intended for commercial establishments.

HARDWARE IDENTIFICATION

Z-B2 (BOX 2) - HARDWARE PACK IS LOCATED IN (B2)

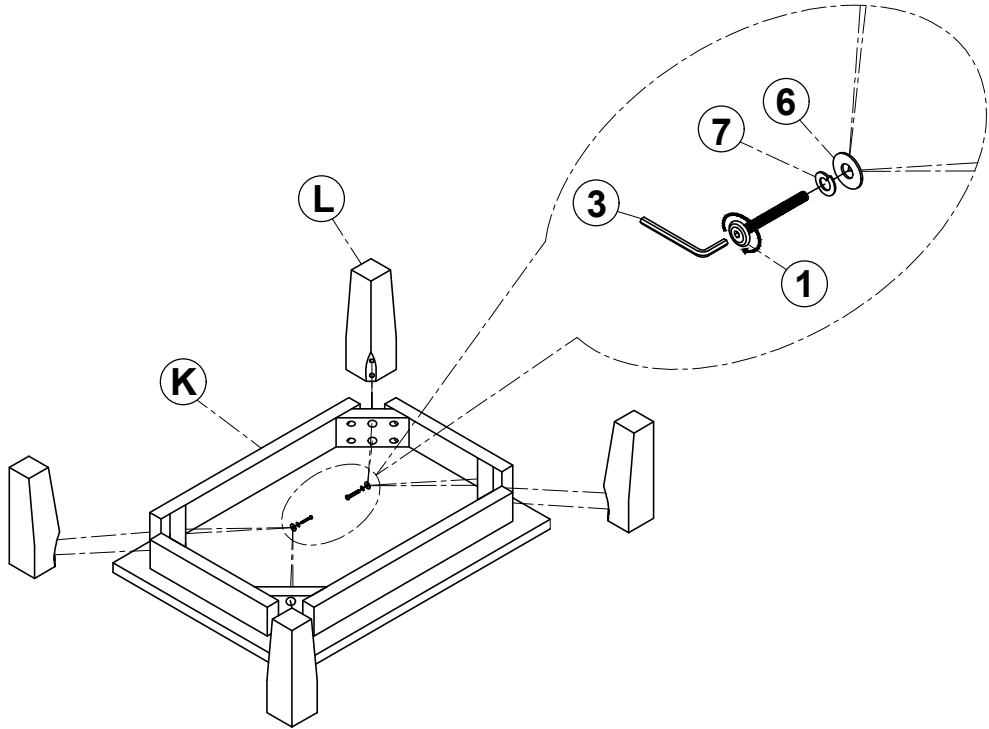
1	LONG BOLT (Ø1/4" x 50mm - RBW)		16PCS	7	LOCK WASHER (Ø1/4" - RBW)		28PCS
2	WOOD DOWEL (Ø8 x 30 - NT)		14PCS	8	CAM NUT (Ø15 x 12mm - SR)		12PCS
3	ALLEN WRENCH (4 x 57mm - RBW)		1PC	9	CAM BOLT (Ø7.5 x 35mm - SR)		12PCS
4	MEDIUM BOLT (Ø1/4" x 35mm - RBW)		12PCS	10	SHELF SUPPORT (SR)		4PCS
5	SHORT BOLT (Ø1/4" x 30mm - RBW)		4PCS	11	PAN HEAD SCREW (3 x 12mm - SR)		17PCS
6	FLAT WASHER (5/16" x Ø19 - RBW)		32PCS				

NOTE:

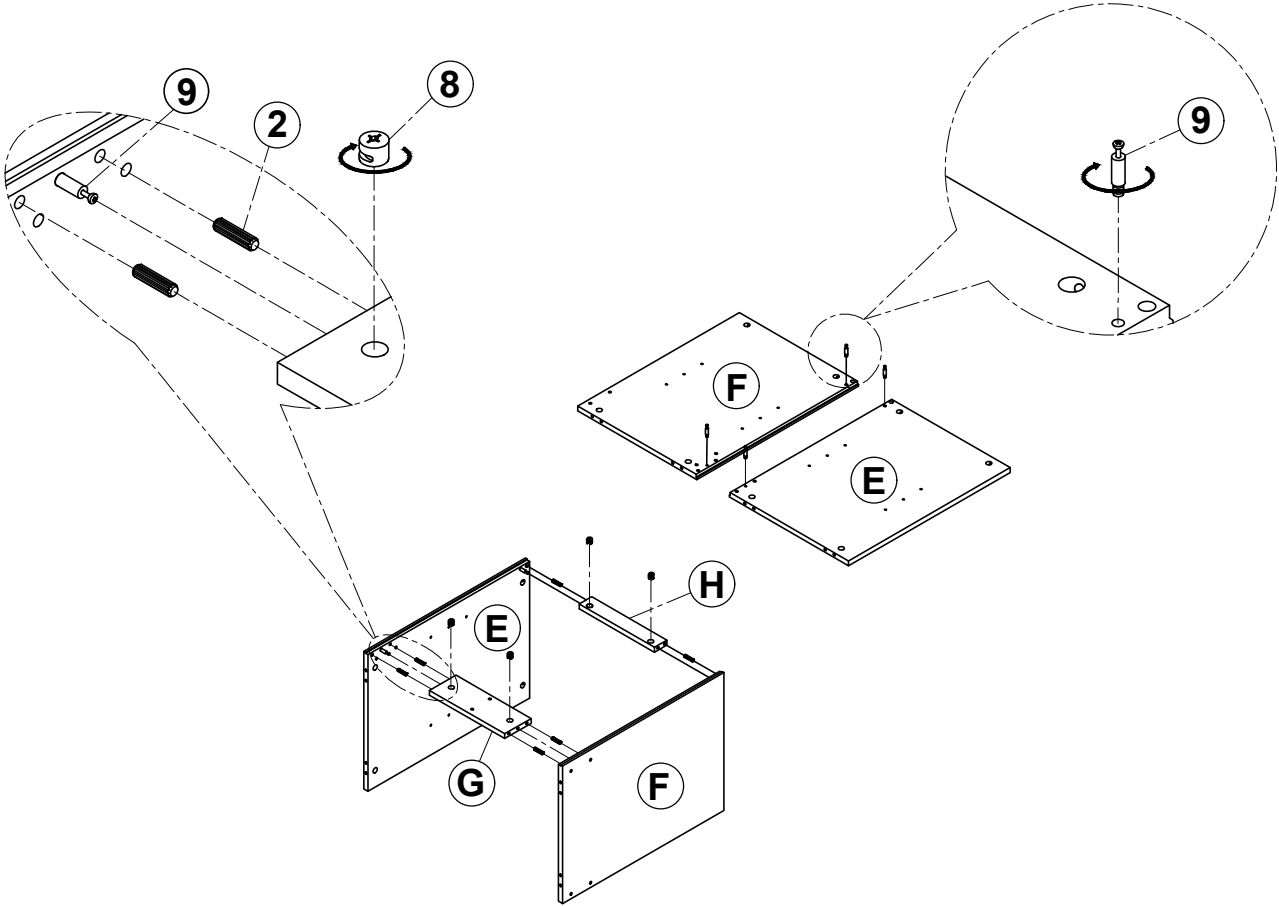
Phillips head screw driver is required in the assembly process; however, manufactures does not provide this item.

ASSEMBLY INSTRUCTIONS

STEP 1

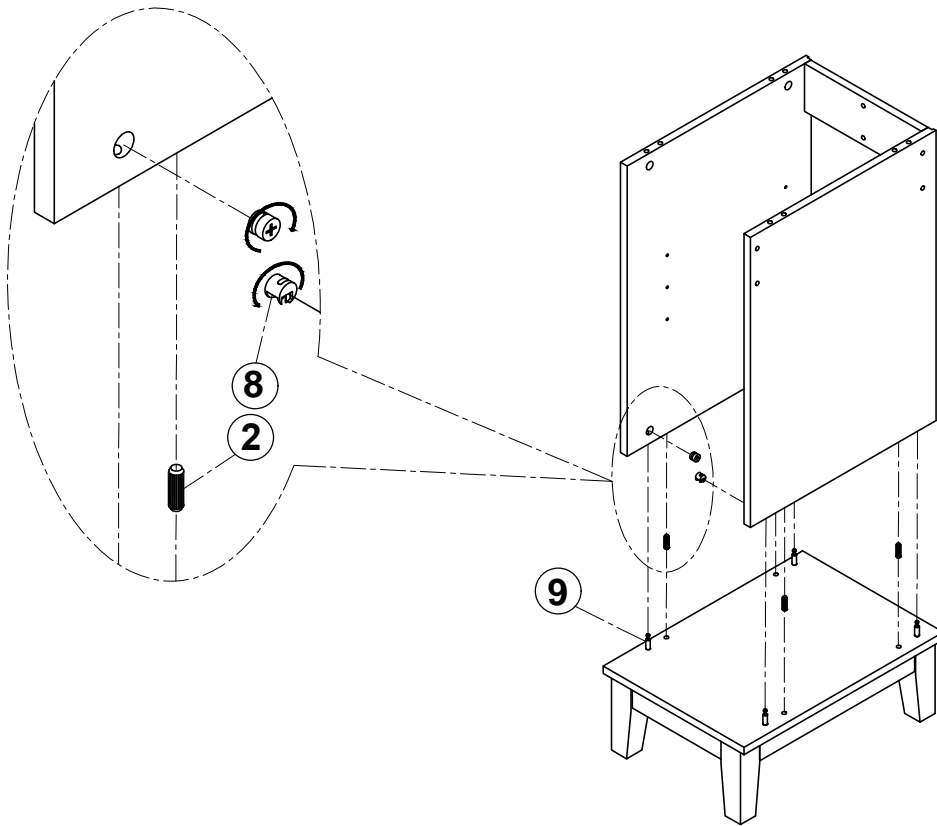


STEP 2

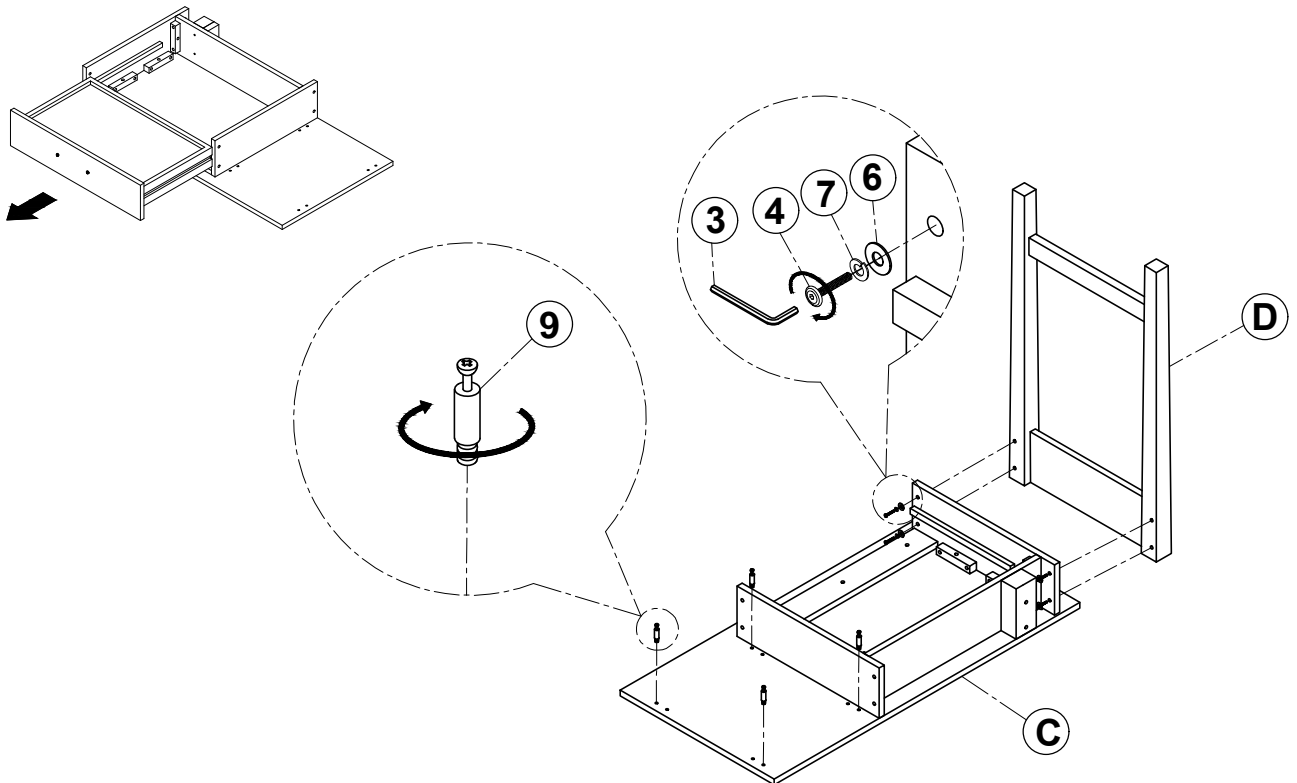


ASSEMBLY INSTRUCTIONS

STEP 3

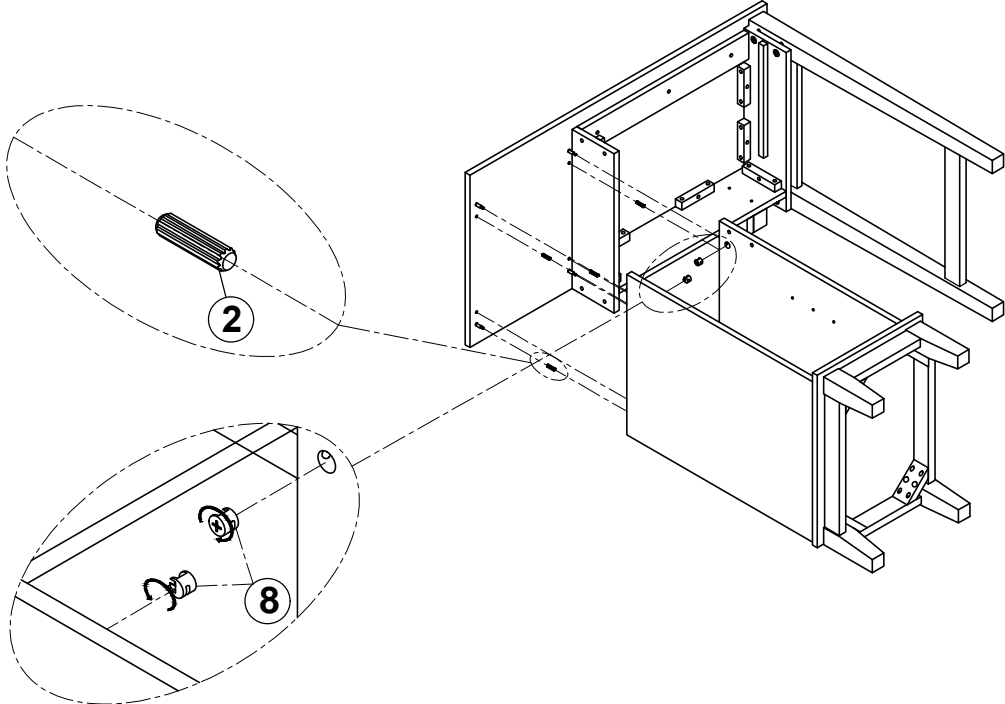


STEP 4

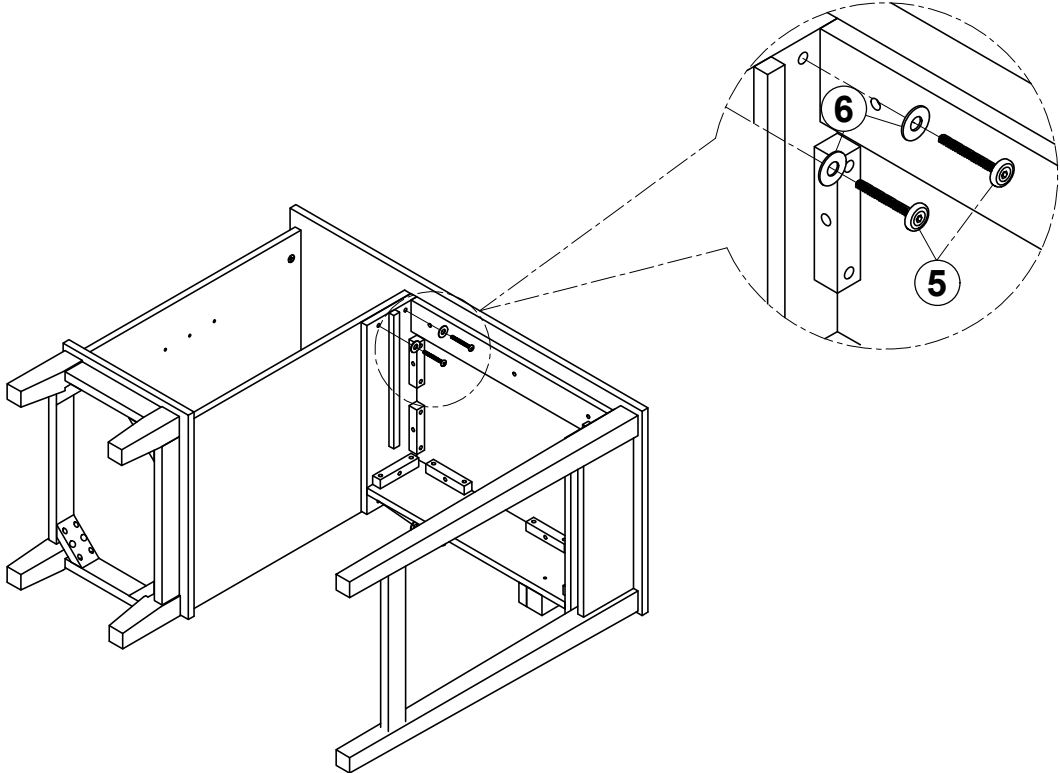


ASSEMBLY INSTRUCTIONS

STEP 5

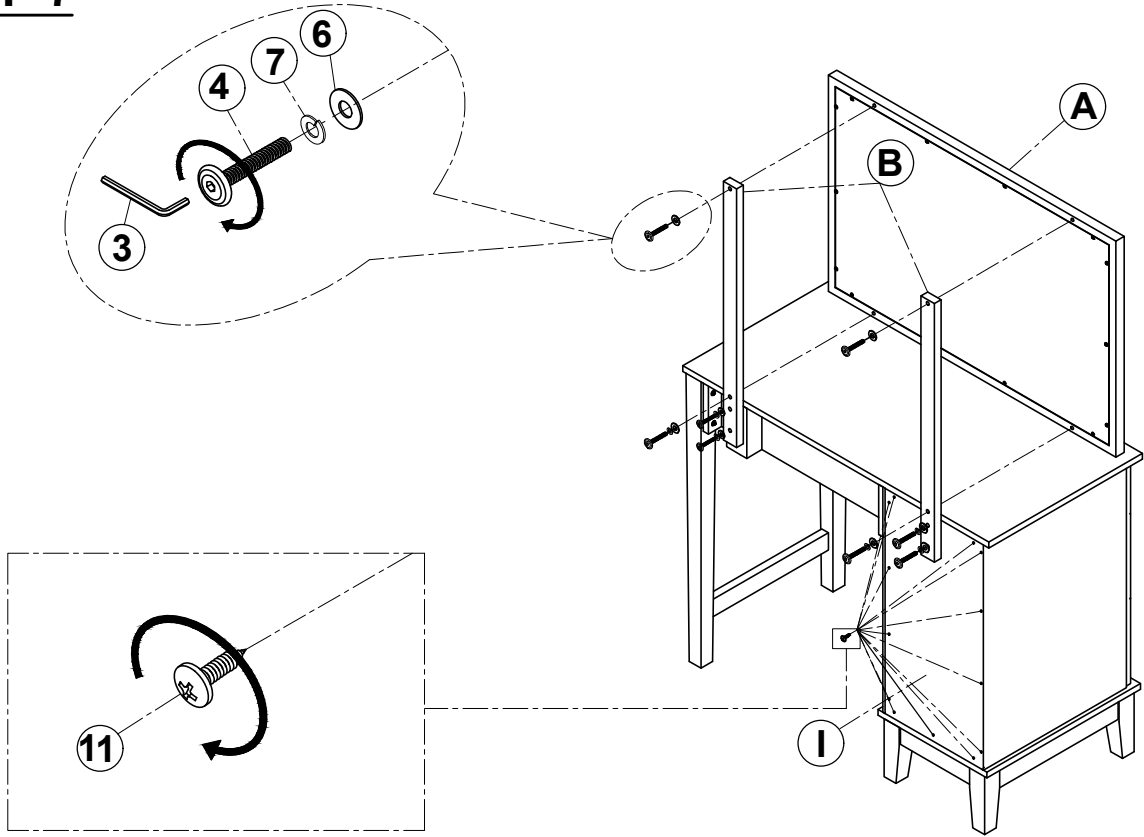


STEP 6

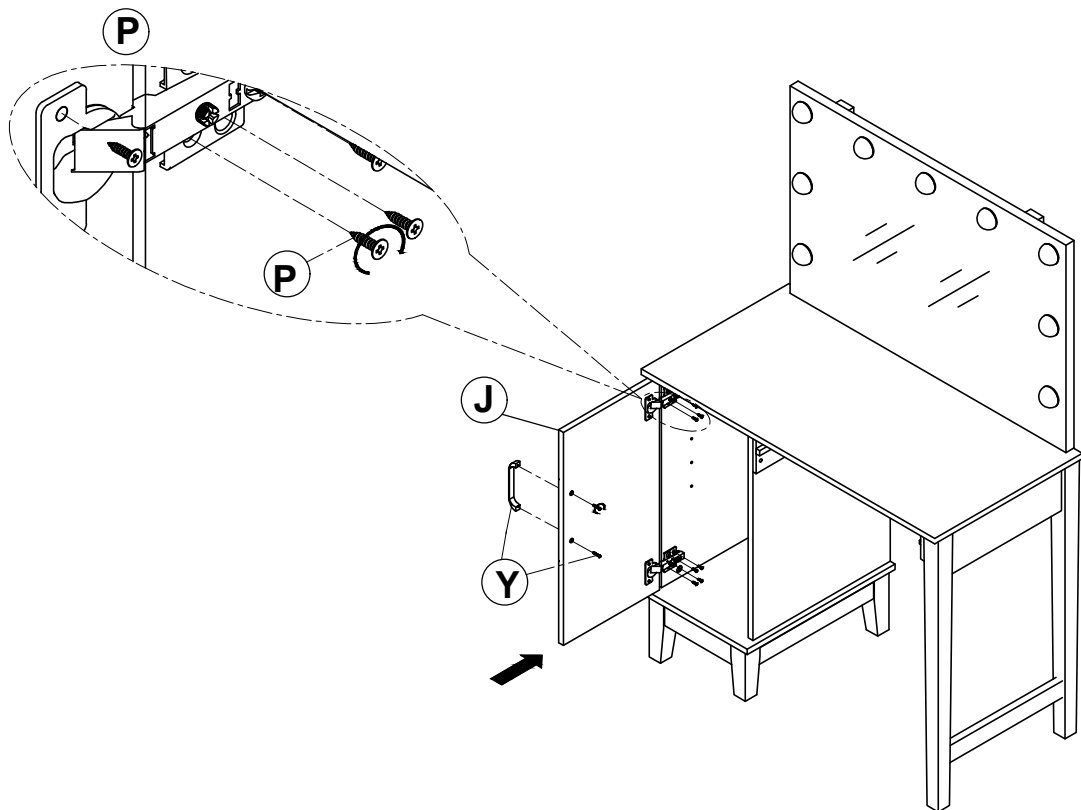


ASSEMBLY INSTRUCTIONS

STEP 7

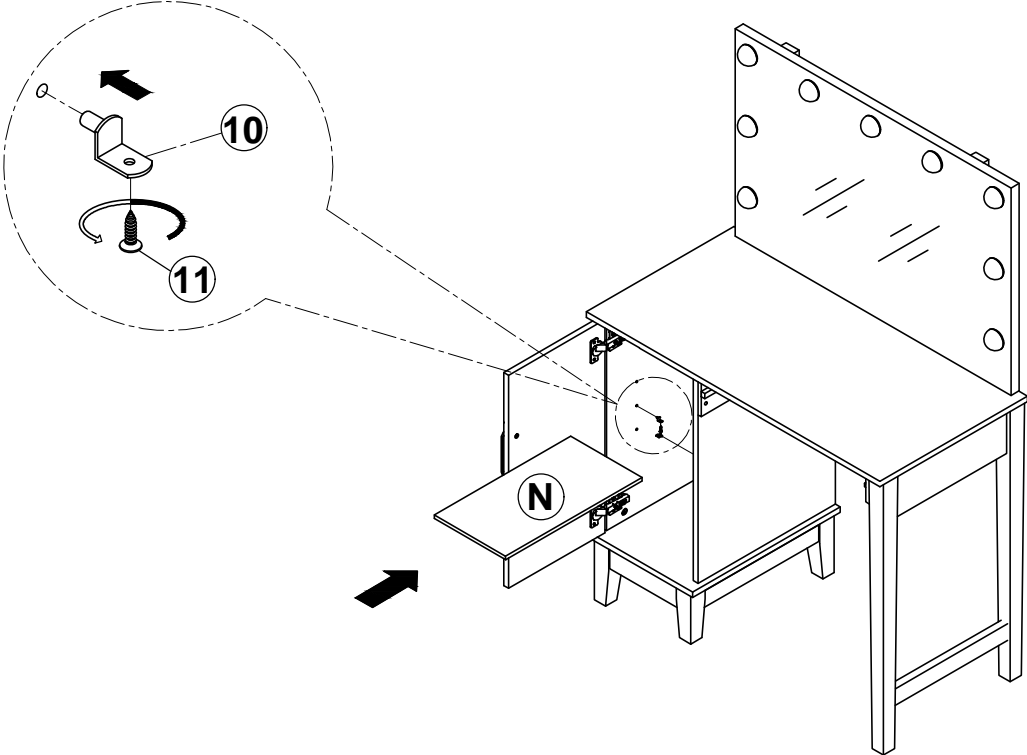


STEP 8

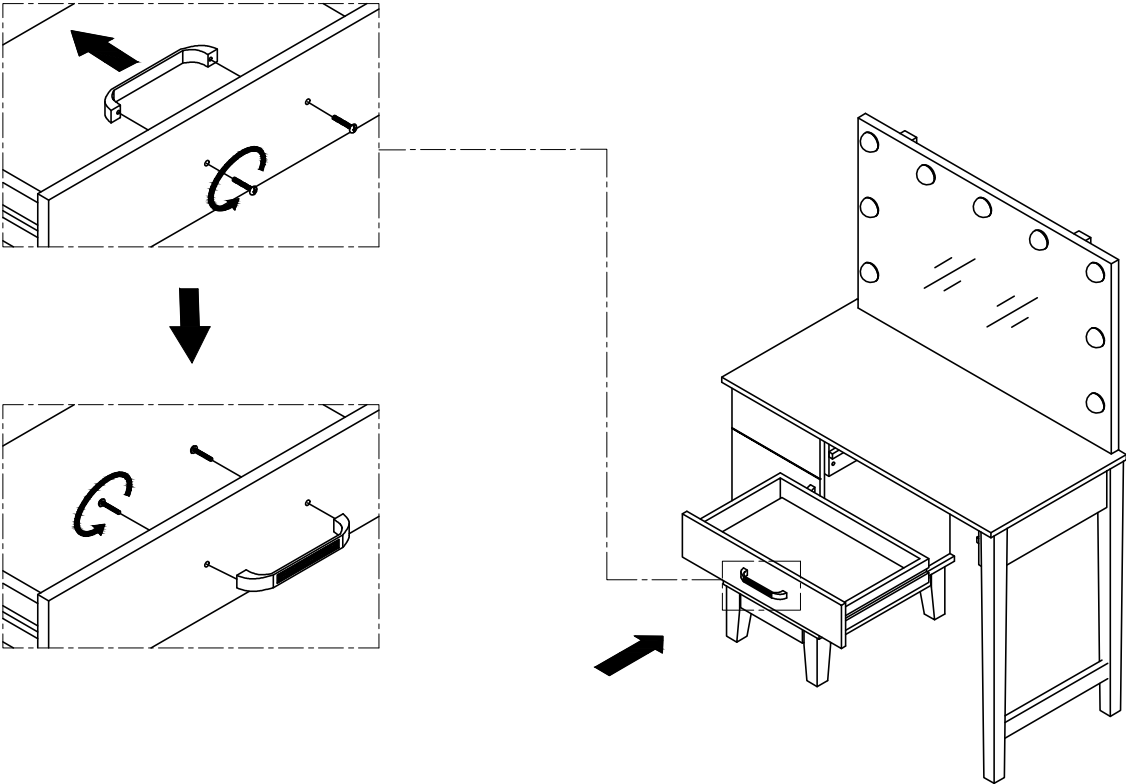


ASSEMBLY INSTRUCTIONS

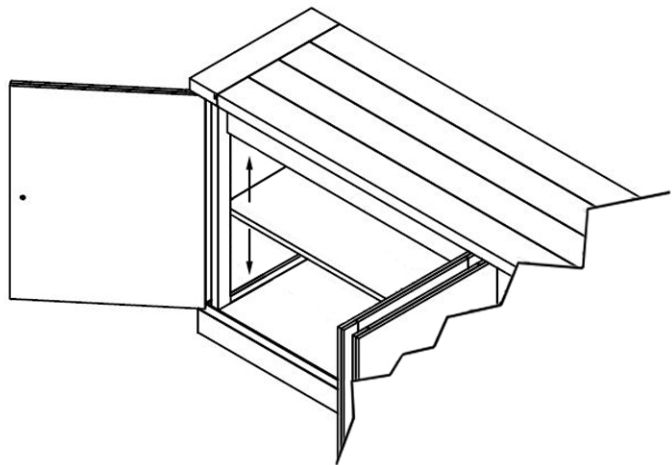
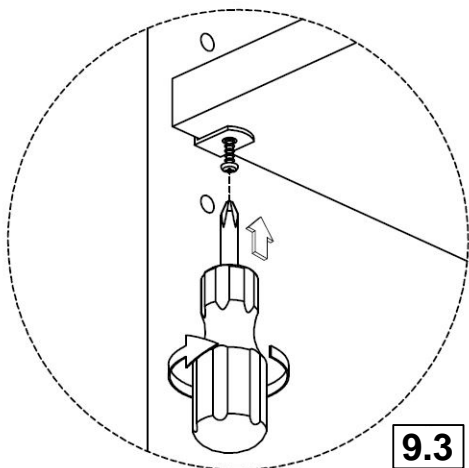
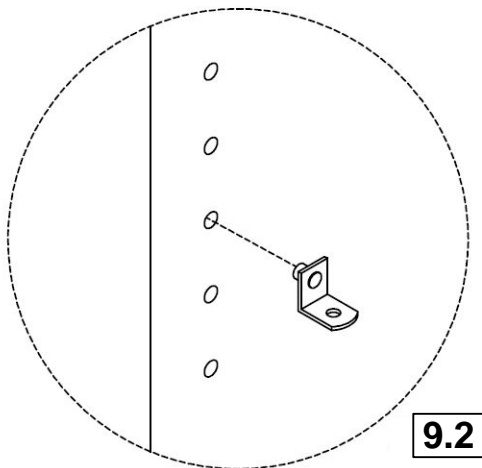
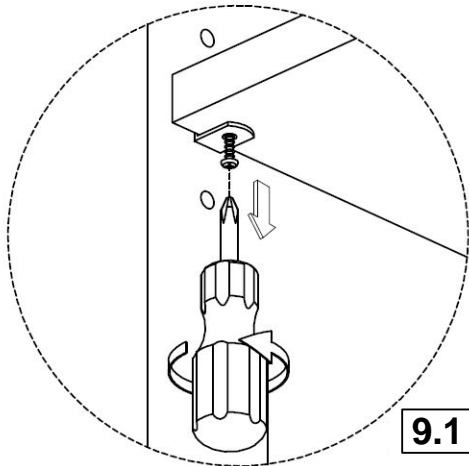
STEP 9



STEP 10



OPTIONAL ADJUSTABLE SHELF

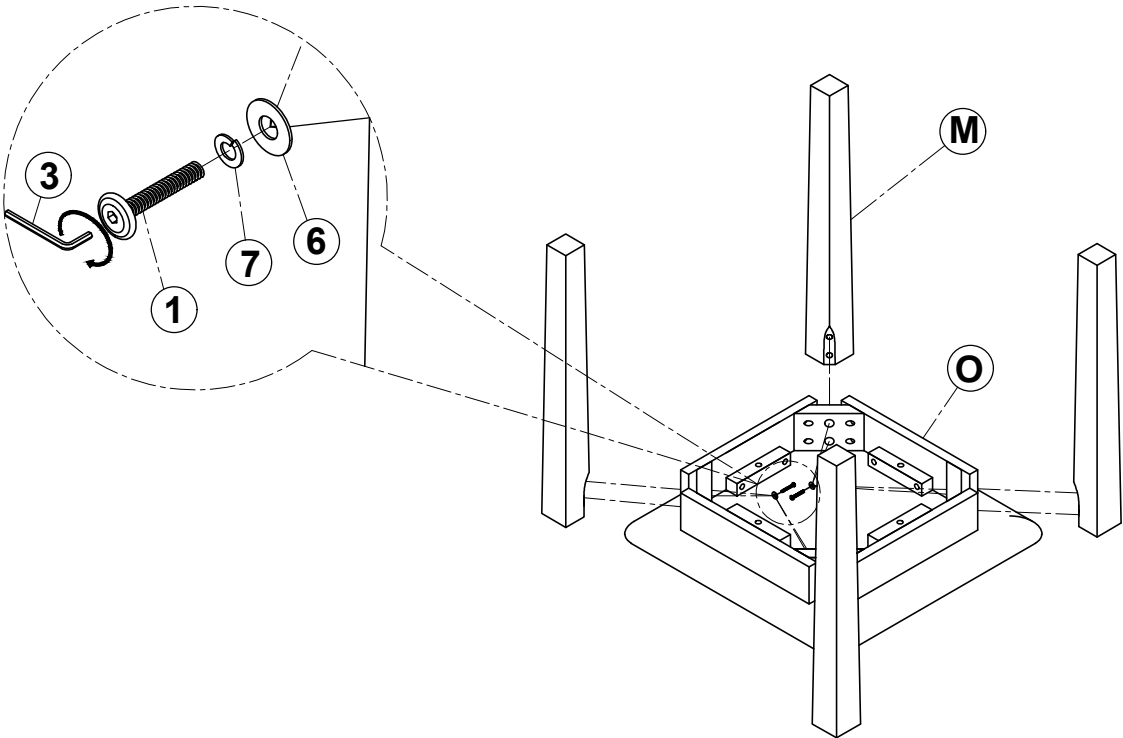


NOTE:

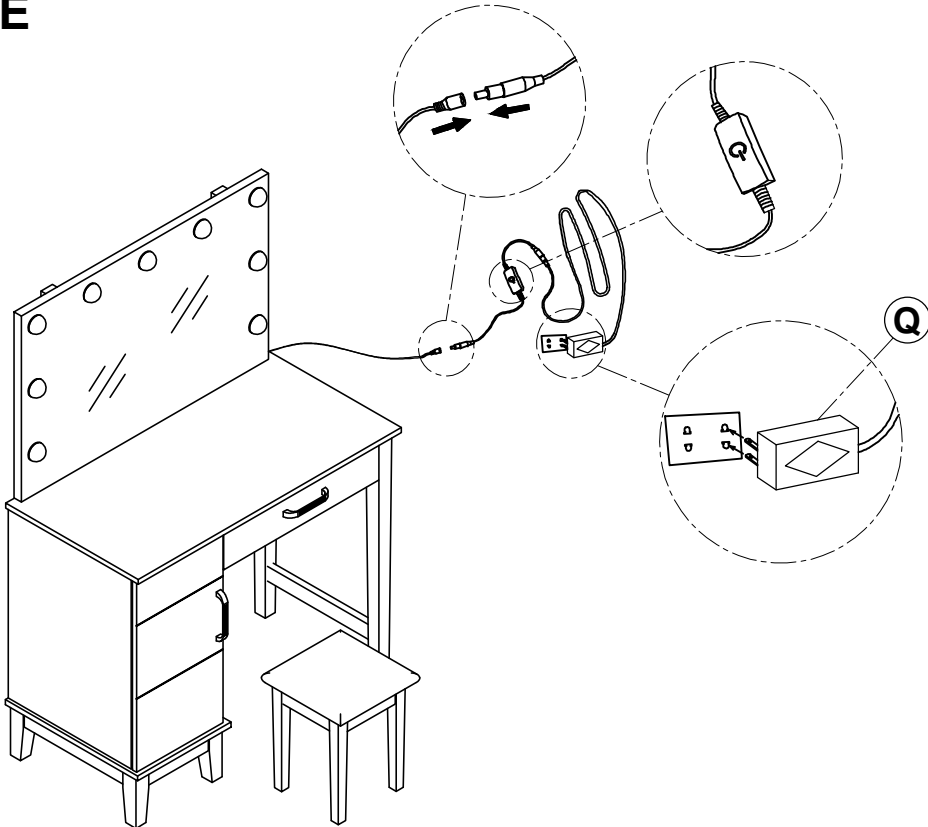
Phillips head screw driver is required in the assembly process; however, manufacturer does not provide this item.

ASSEMBLY INSTRUCTIONS

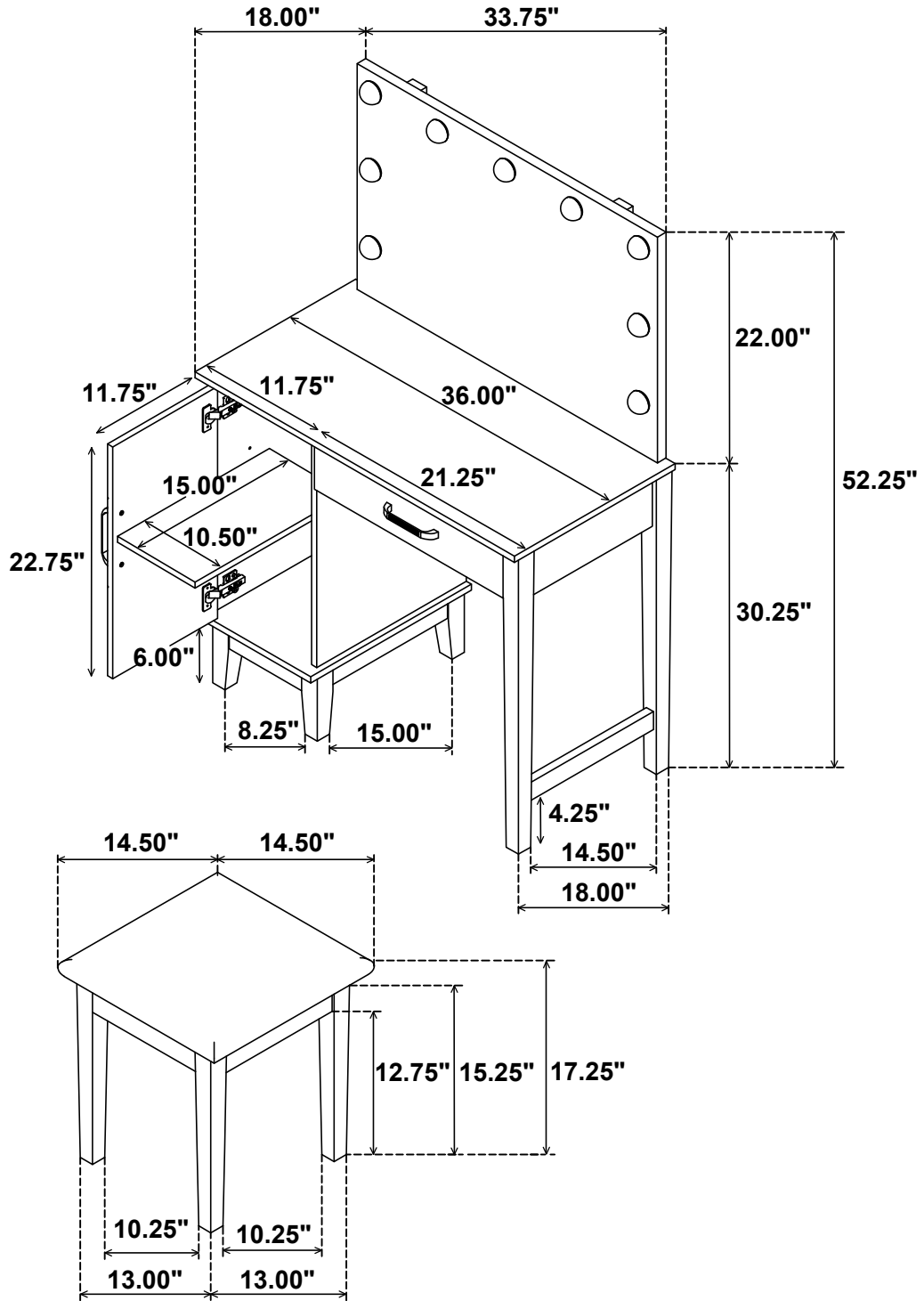
STEP 11



STEP 12 COMPLETE



Inner Size of Drawer: 18.50"W X 10.75"D X 2.25"H X 0.25"T



Note: Dimension tolerance $\pm 5\%$