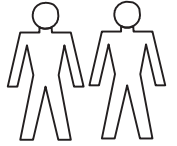


*DO NOT DRAG
2 MAN LIFT*

Florence



Dresser

Assembly instruction



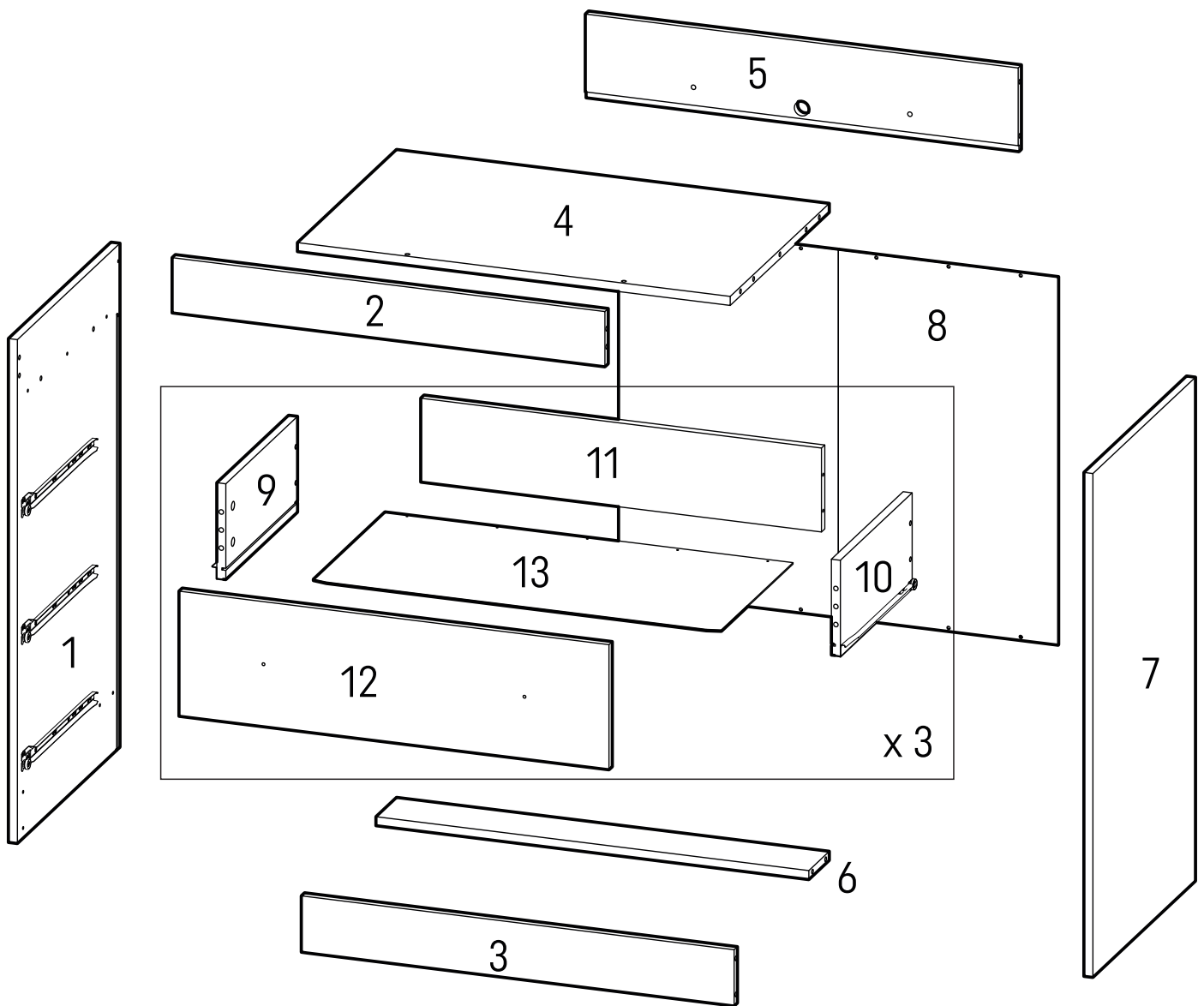
**IMPORTANT: RETAIN FOR FUTURE REFERENCE:
READ CAREFULLY**


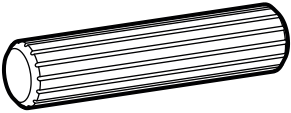
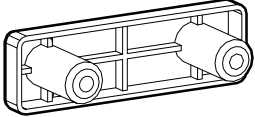
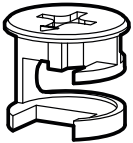
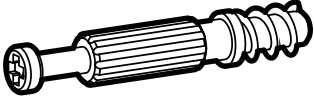
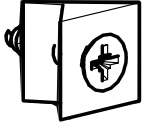


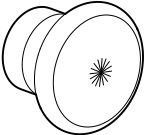
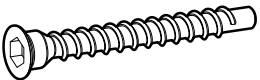
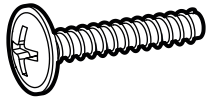


IND. 4022535

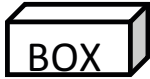
BEFOR ASSEMBLY

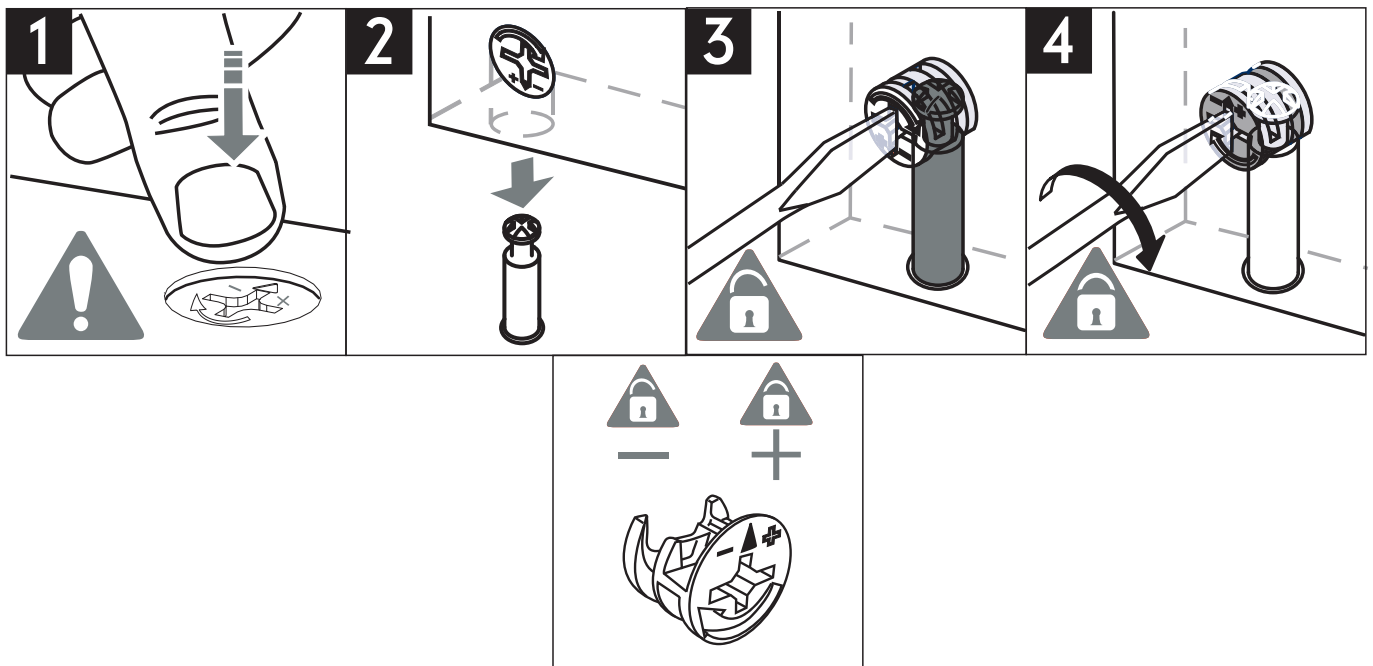
MAIN COMPONENTS

- unpack all the parts and identify them against the fitting and components list.
- do not discard any packaging until you have checked that you have all parts as shown below.
- you may find the construction of your dresser easier if you have the help of another person.
- crosshead screwdriver (not provided).



<p>1000806</p>  <p>x 1</p>	<p>1005857</p>  <p>x 14</p>	<p>1000868</p>  <p>x 4</p>
<p>1005367</p>  <p>x 30</p>	<p>1006091</p>  <p>x 30</p>	<p>1006022</p>  <p>x 4</p>
<p>1006012</p>  <p>x 21</p>	<p>1000893</p>  <p>x 1</p>	<p>1108993</p>  <p>x 6</p>
<p>1005876</p>  <p>x 16</p>	<p>1005471</p>  <p>x 6</p>	<p>1004049</p>  <p>x 3</p>
<p>1005417</p>  <p>x 12</p>		

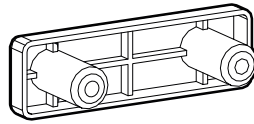
ARTIKELNUMMER ITEM NUMER ARTIKELNUMMER		4022535	AANTAL QUANTITY ANZAHL	AFTMETINGEN [mm] DIMENSIONS [mm] ABMESSUNGEN [mm]		
1	1/2	2224105	1	894	500	16
2	2/2	2224108	1	768	98	16
3	2/2	2224107	1	768	100	16
4	2/2	2224103	1	768	483	16
5	2/2	2224109	1	768	150	16
6	2/2	2224104	1	768	100	16
7	1/2	2224106	1	894	500	16
8	2/2	2220175	1	780	653	2,5
9	1/2	2224111	3	350	170	16
10	1/2	2224112	3	350	170	16
11	2/2	2224113	3	711	149	16
12	2/2	2224110	3	763	222	16
13	1/2	2224114	3	724	355	2,5



EN. In case of complain please advise the spare part number.

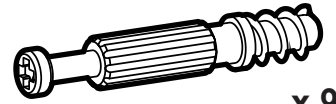
1

1000868

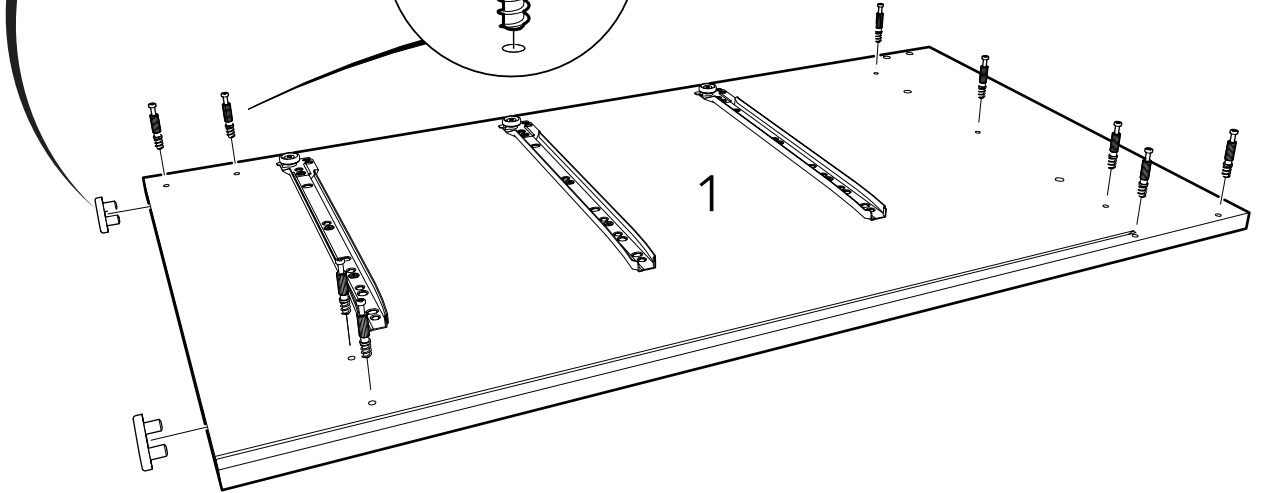
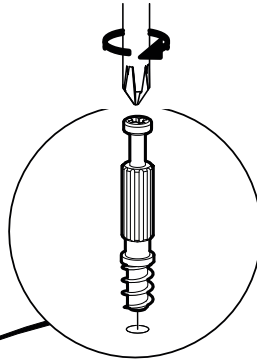
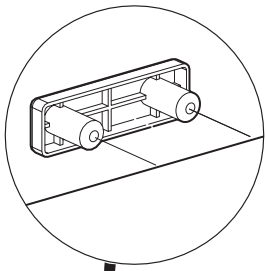


x 2

1006091

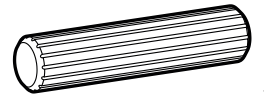


x 9

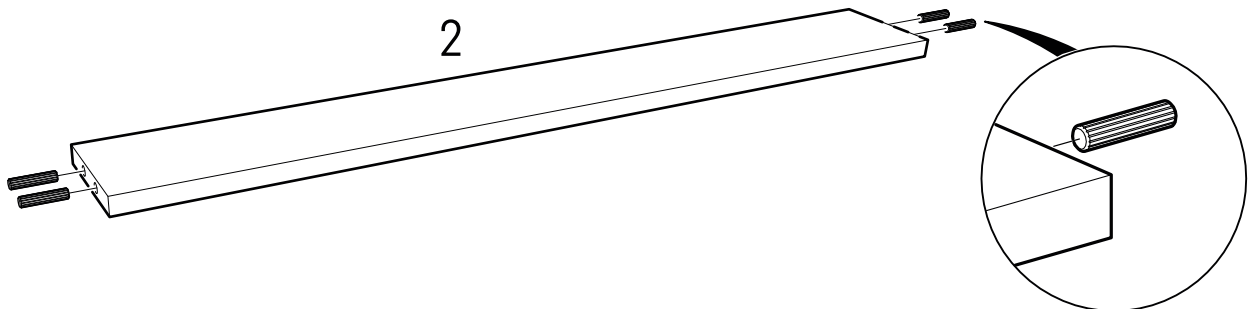


2

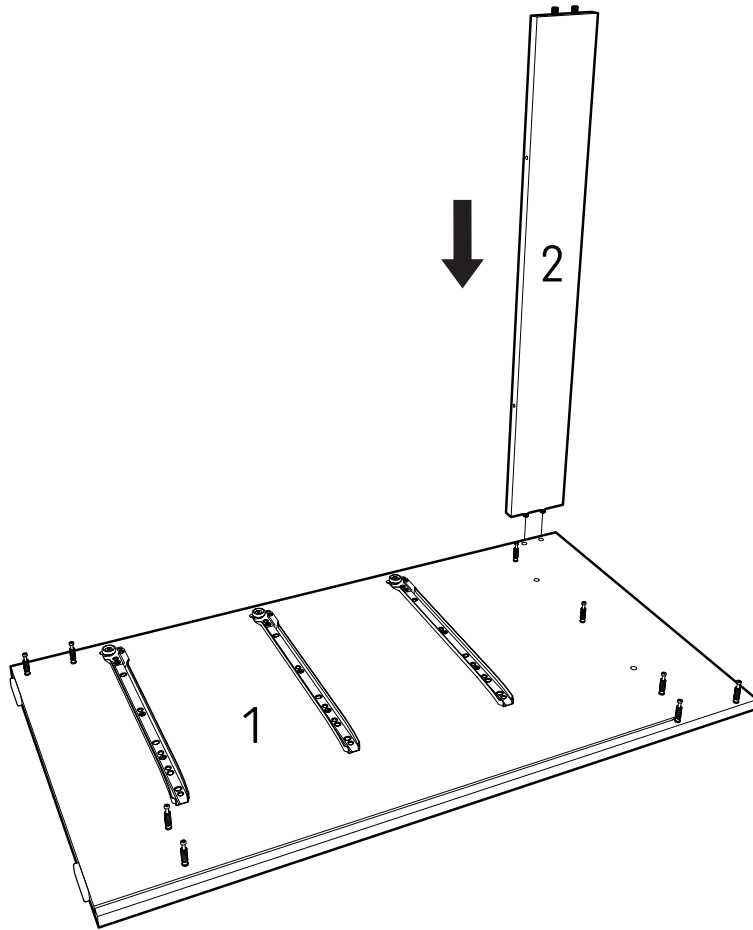
1005857



x 4

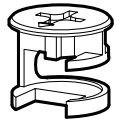


3

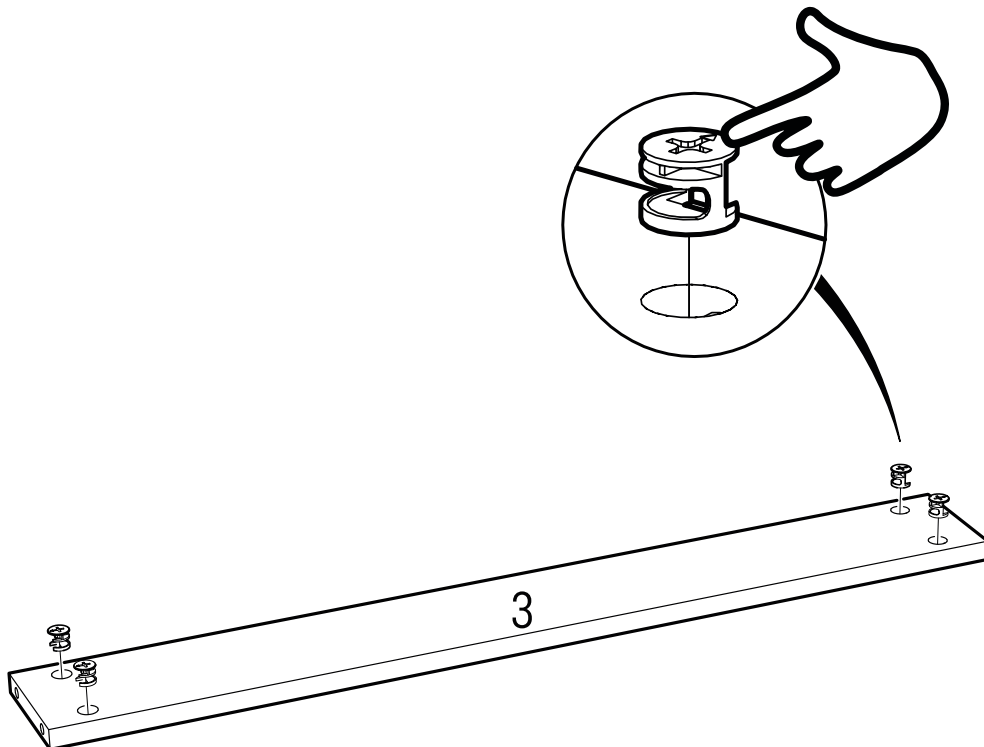


4

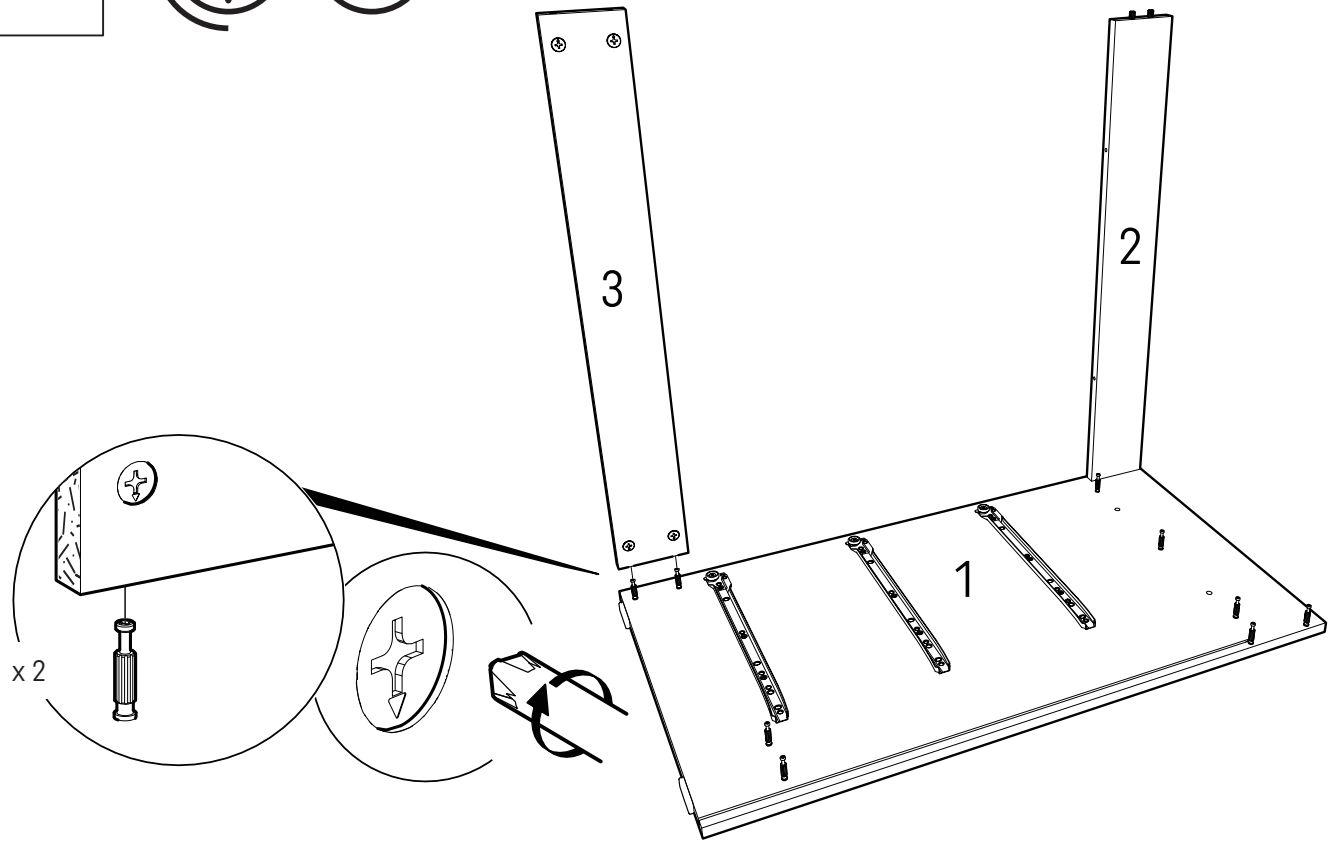
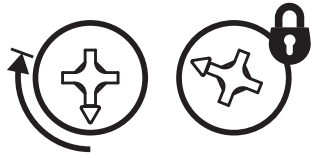
1005367



x 4

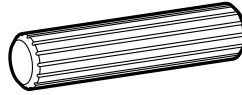


5



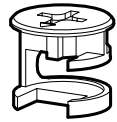
6

1005857

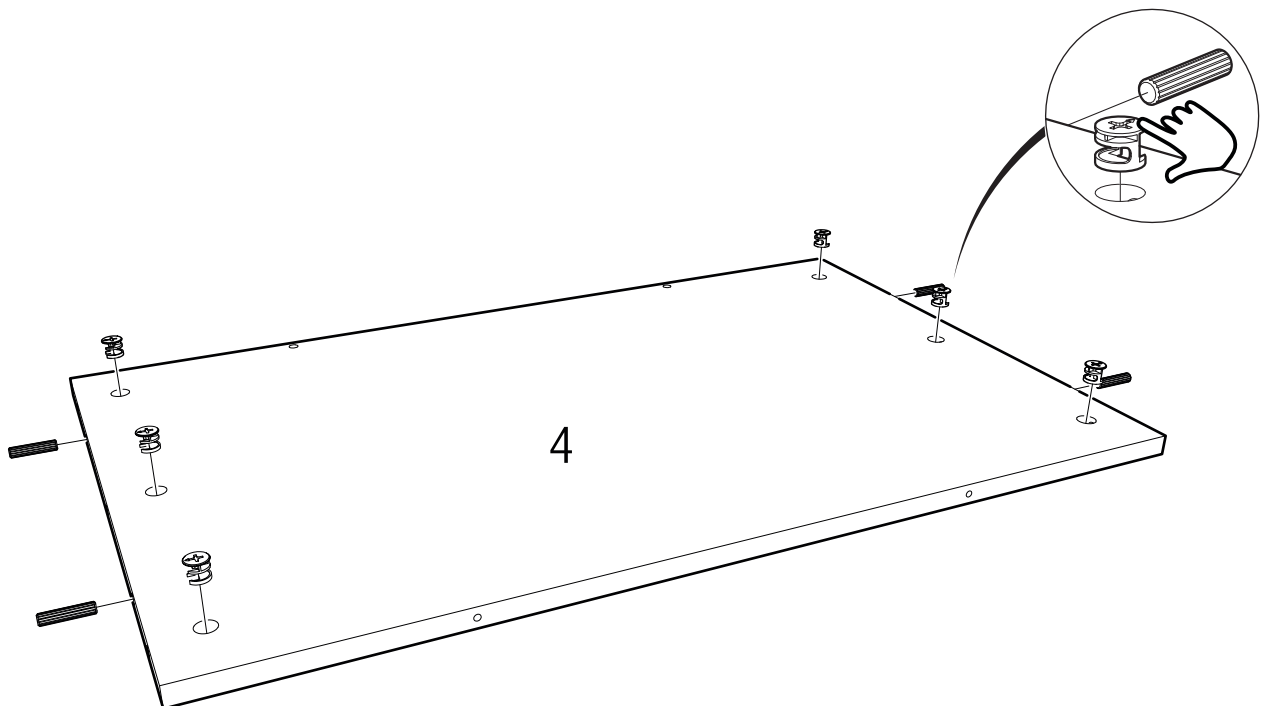


x 4

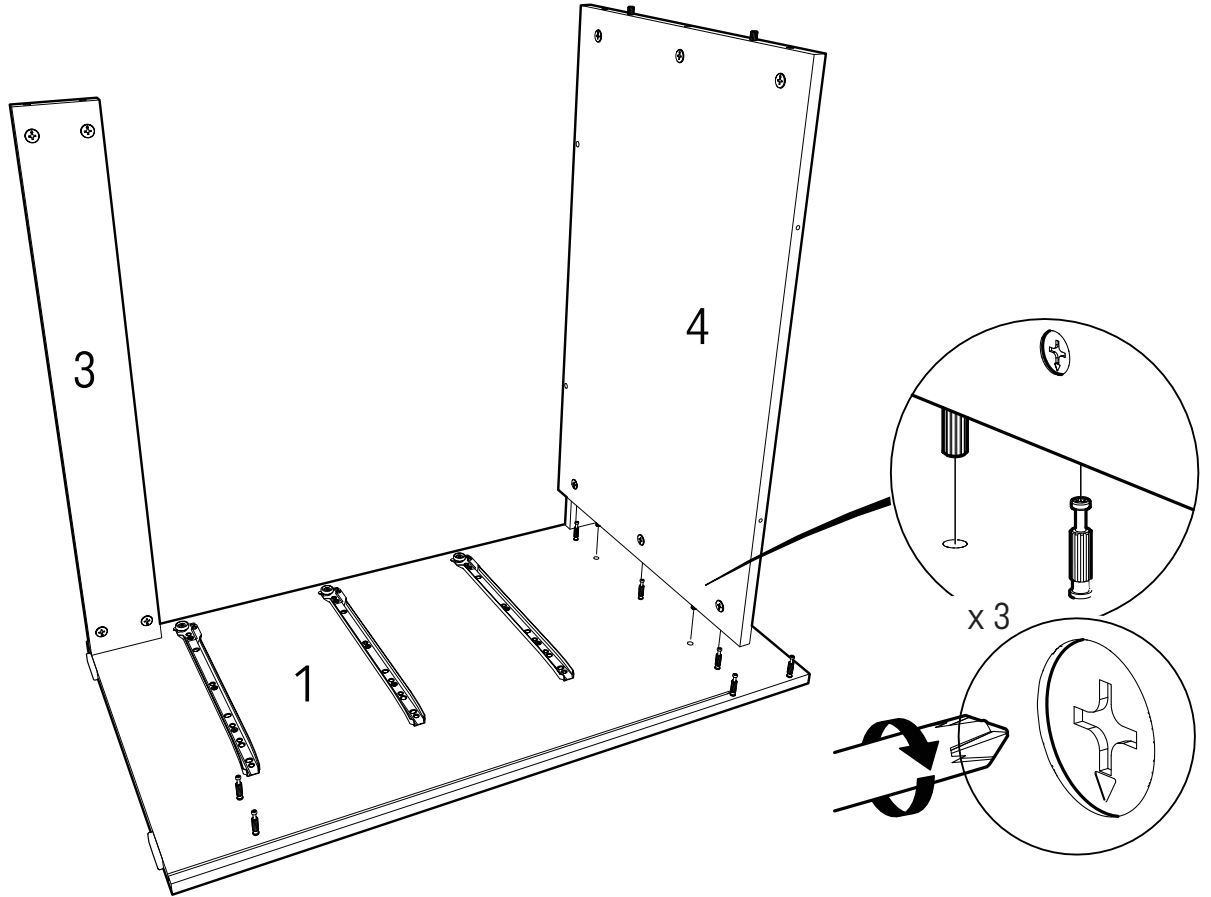
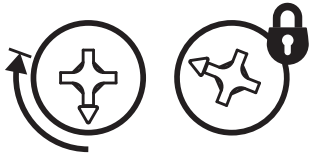
1005367



x 6

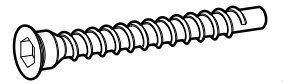


7

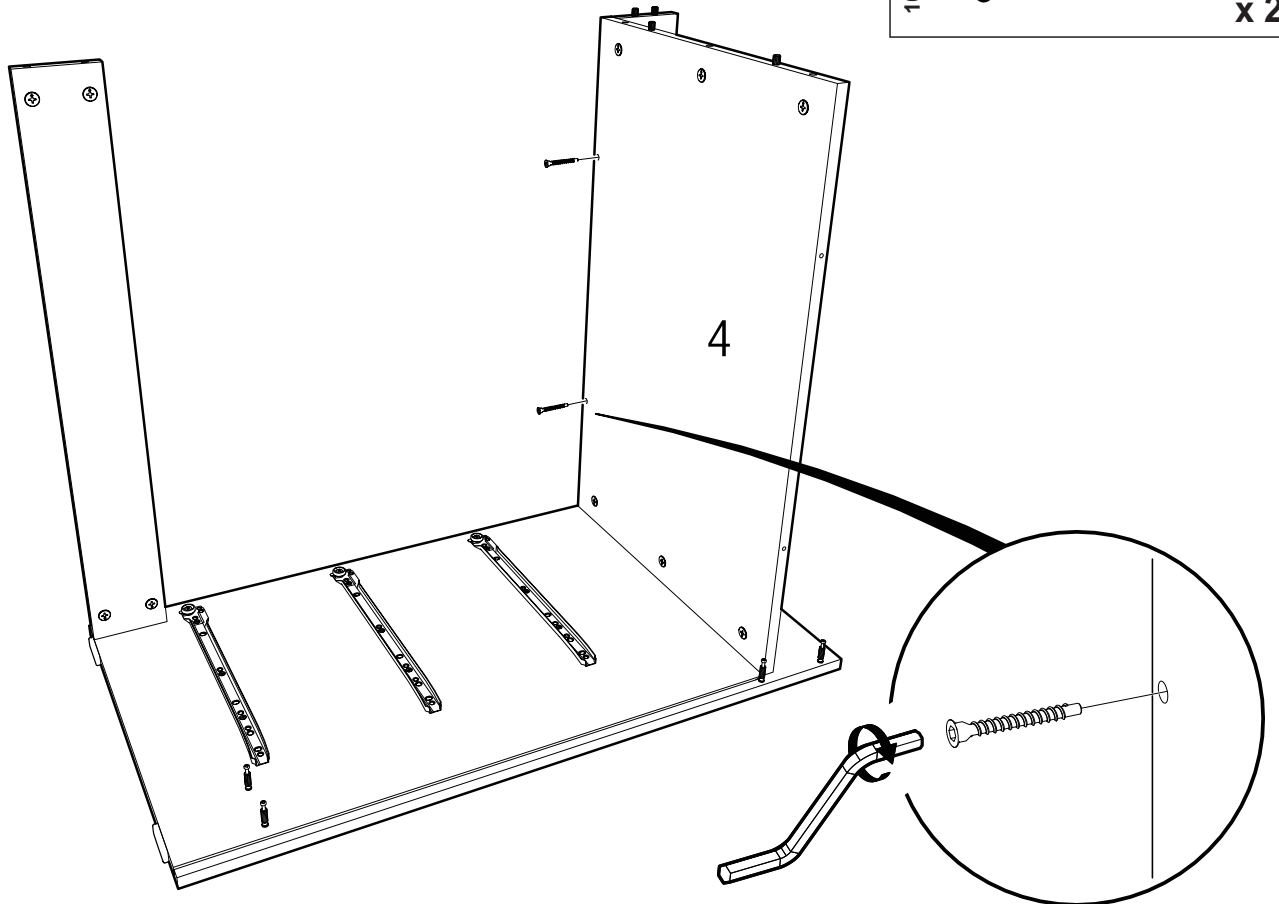


8

1005876

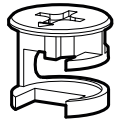


x 2

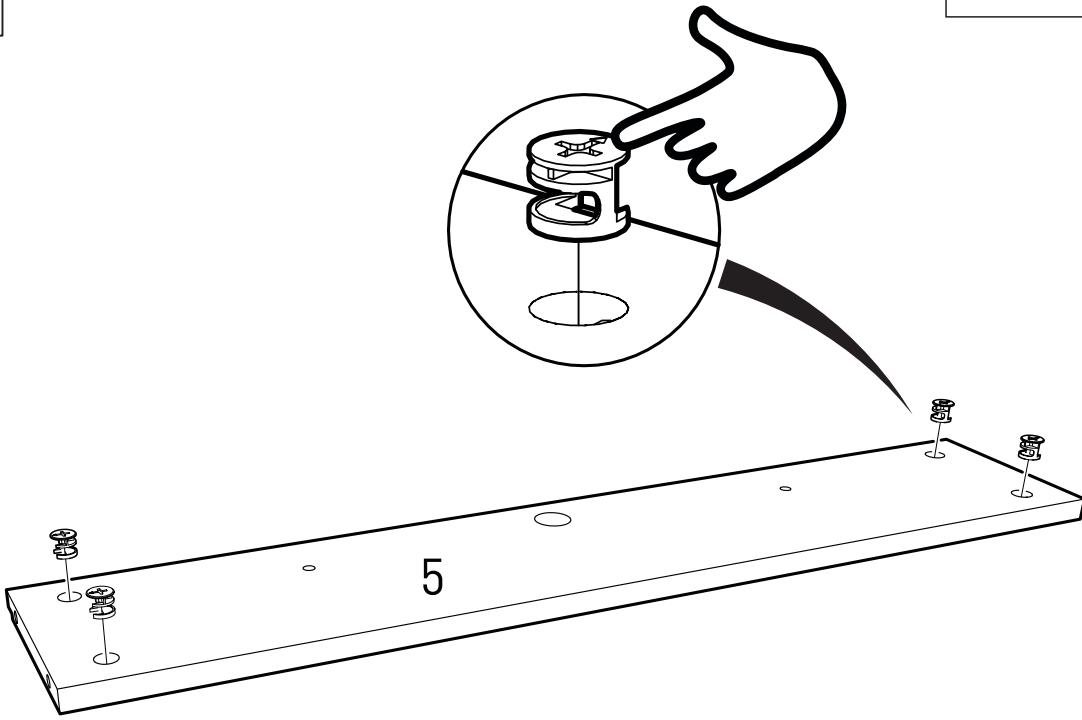


9

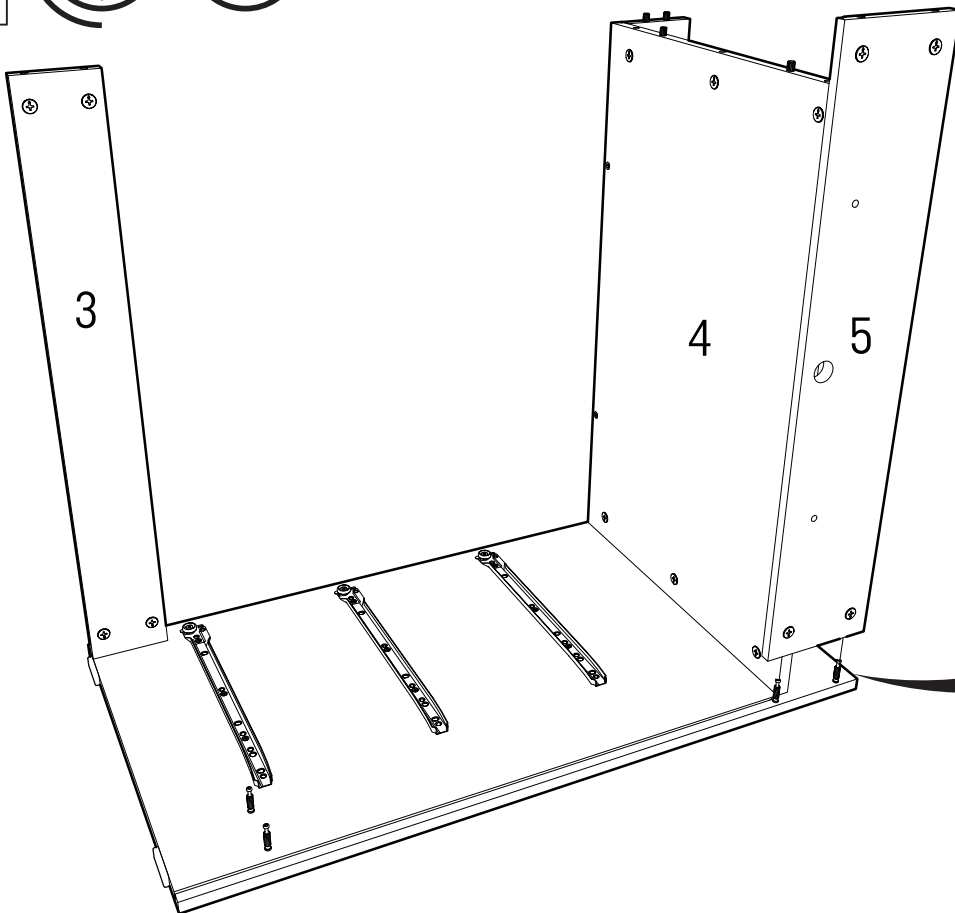
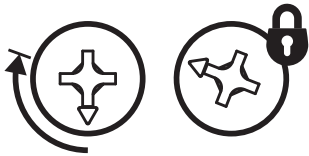
1005367



x 4



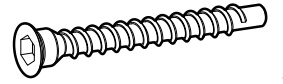
10



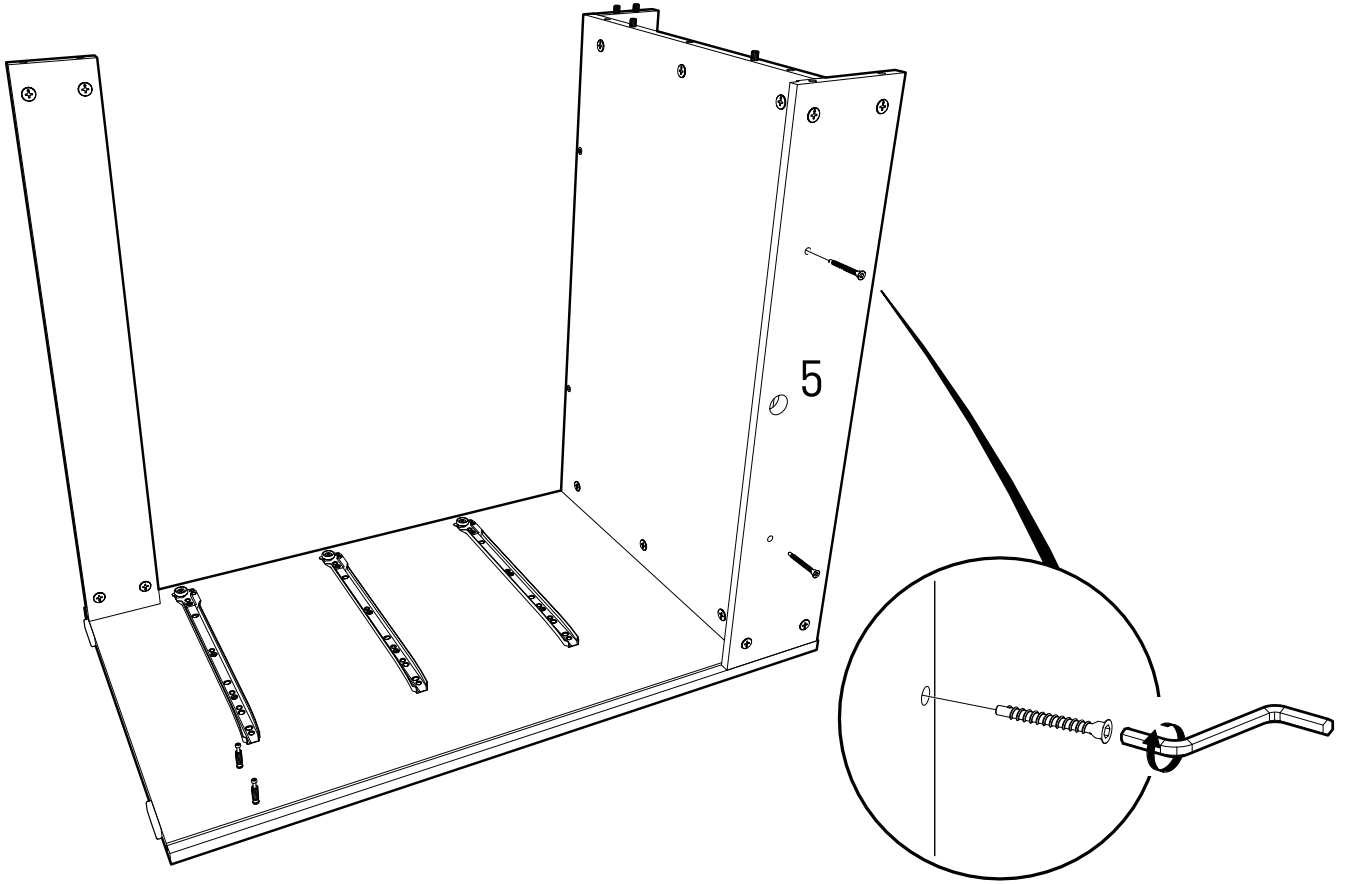
x 2

11

1005876

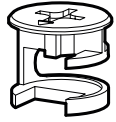


x 2

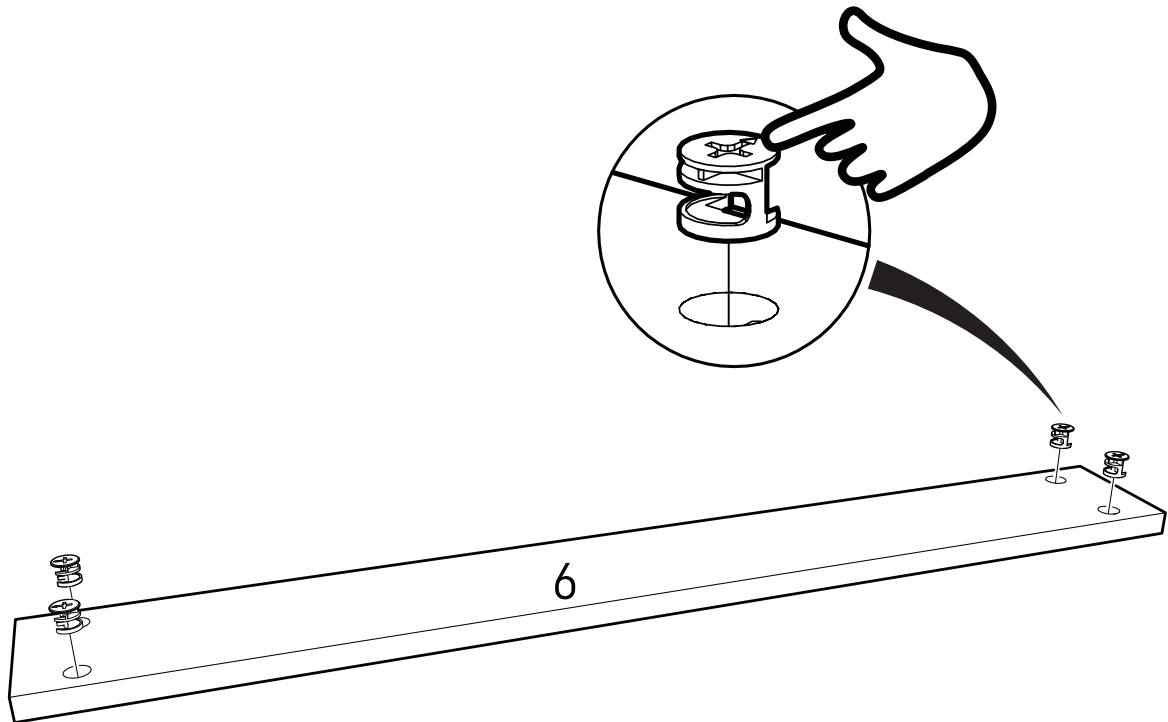


12

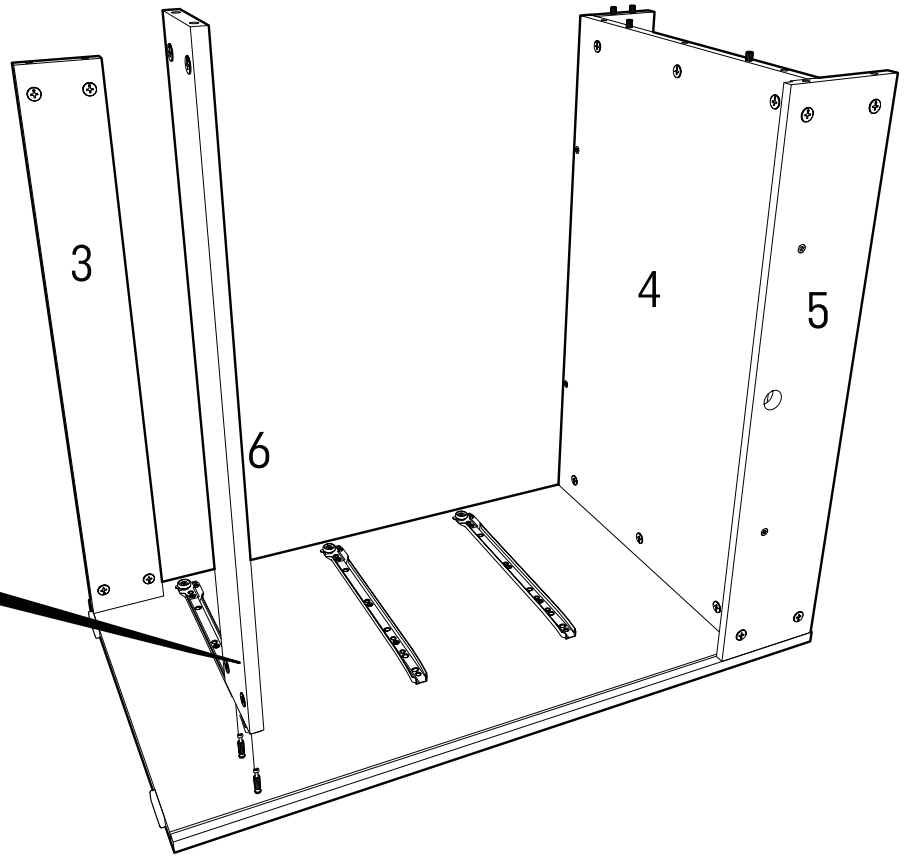
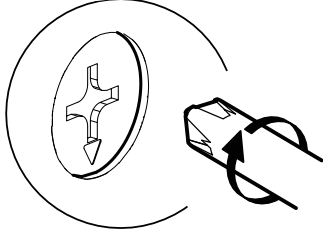
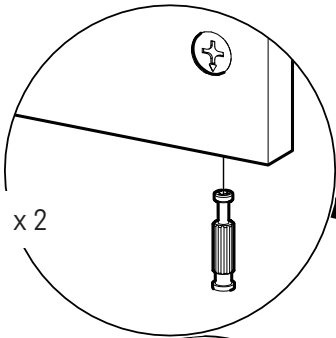
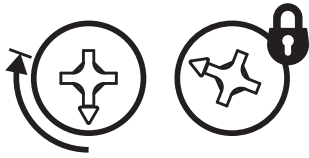
1005367



x 4

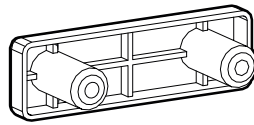


13



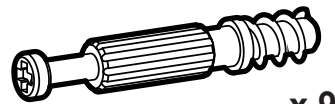
14

1000868

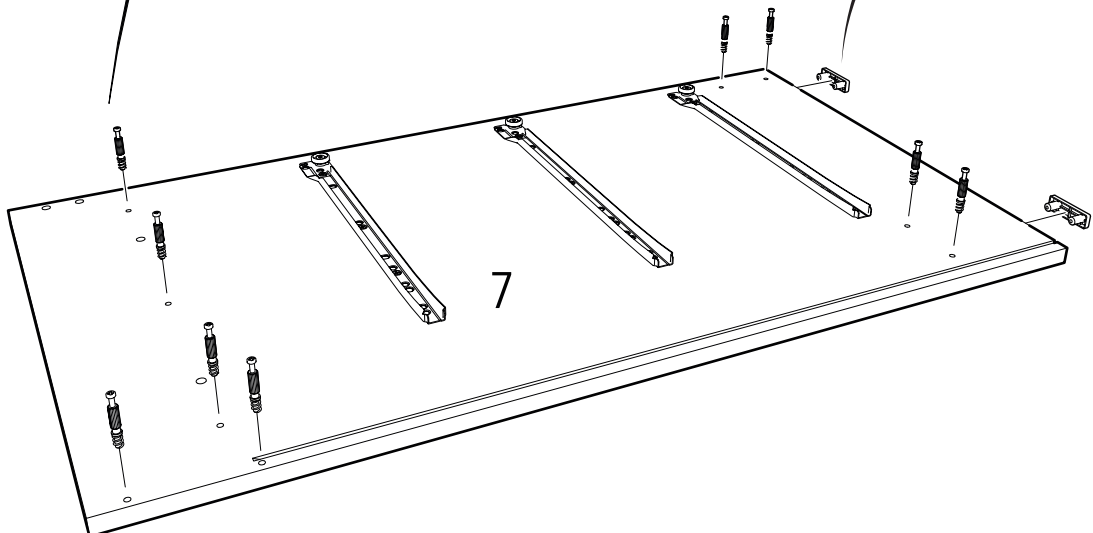
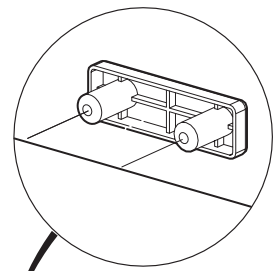
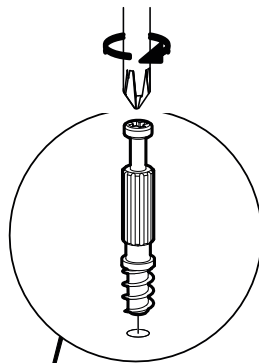


x 2

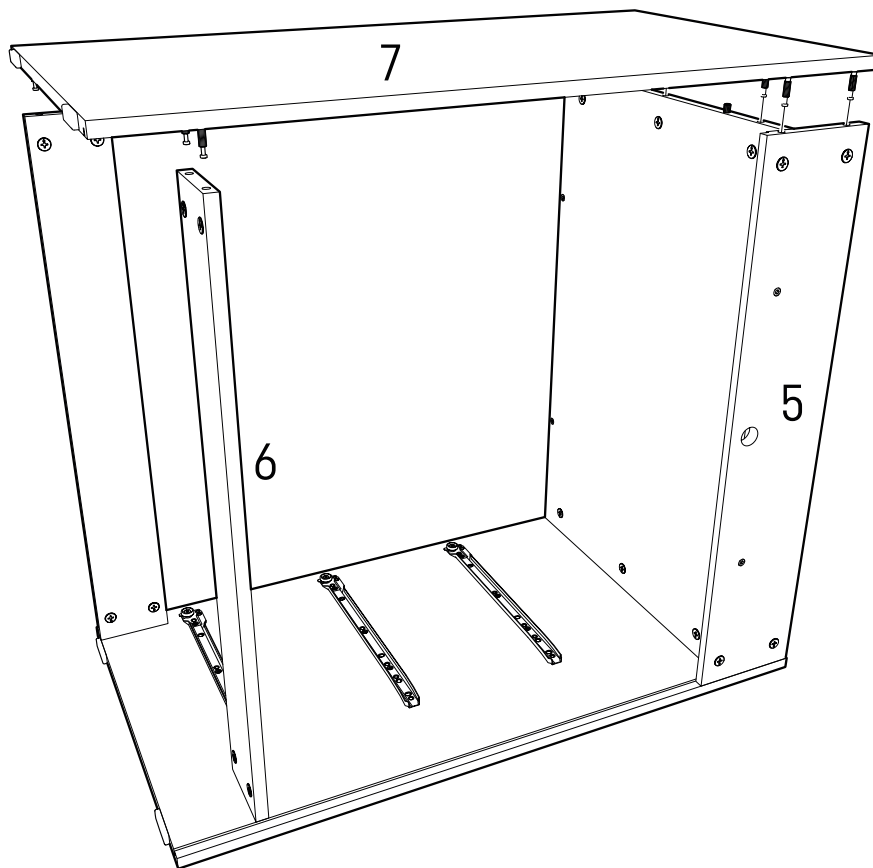
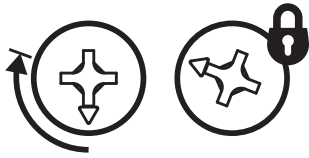
1006091



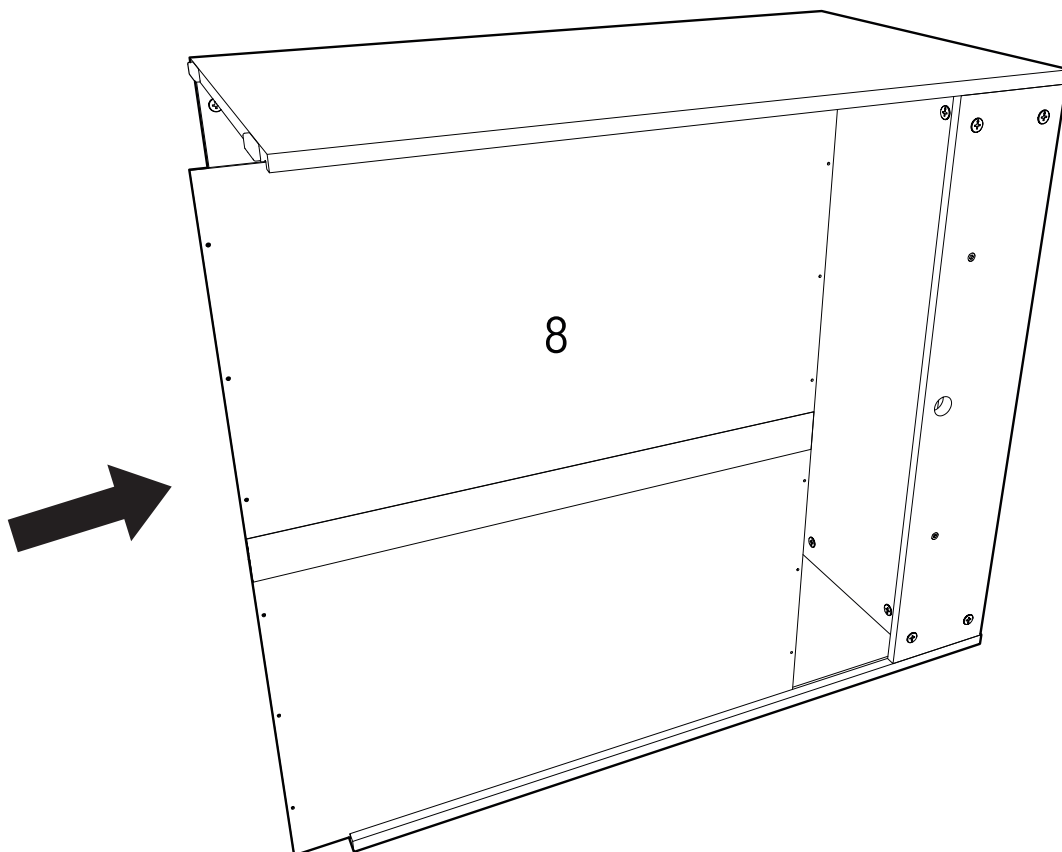
x 9



15



16

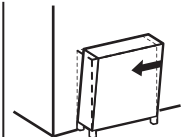


17

1005417

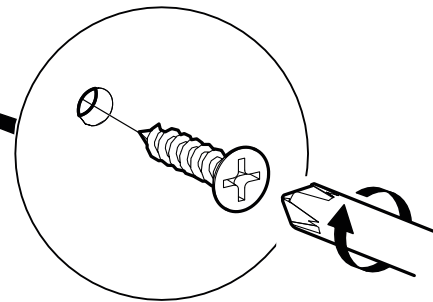
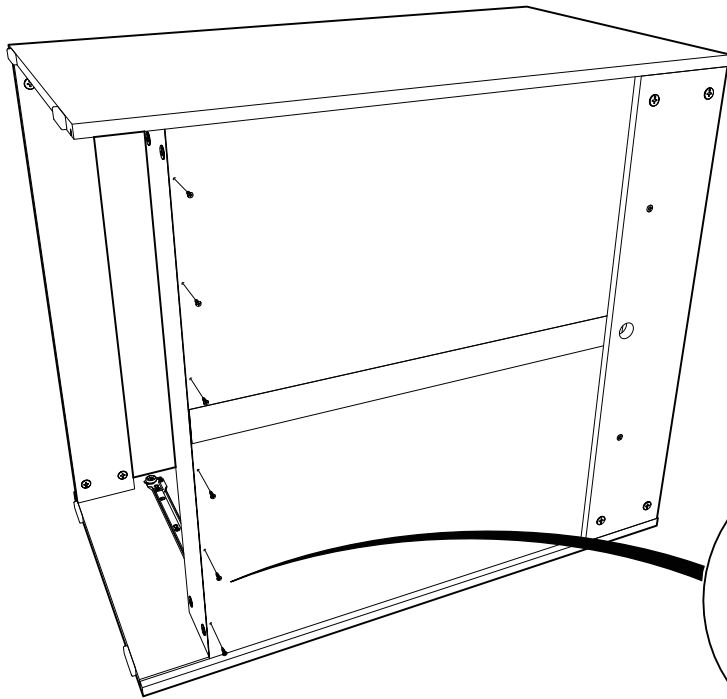


x 6



$X \neq Y (>2\text{mm})$

$X = Y (\pm 1\text{mm})$

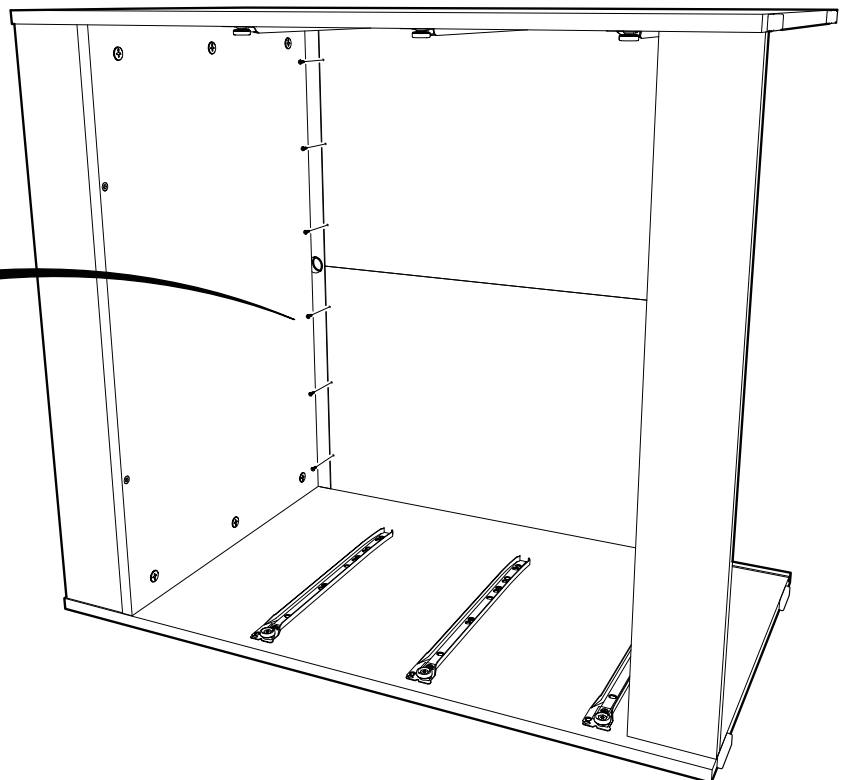
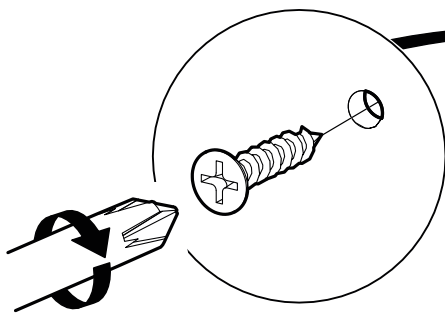


18

1005417

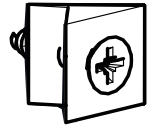


x 6

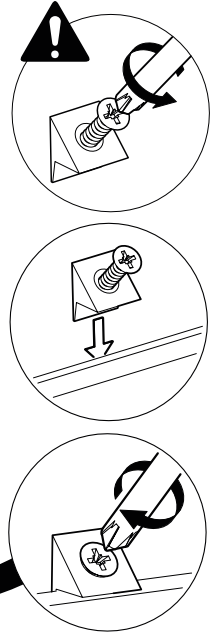
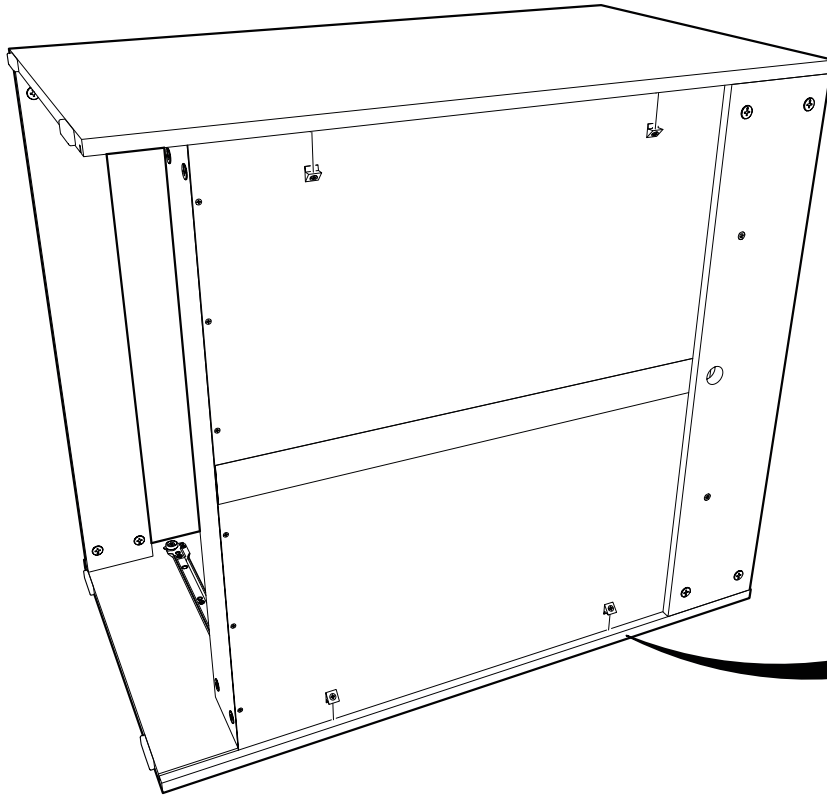


19

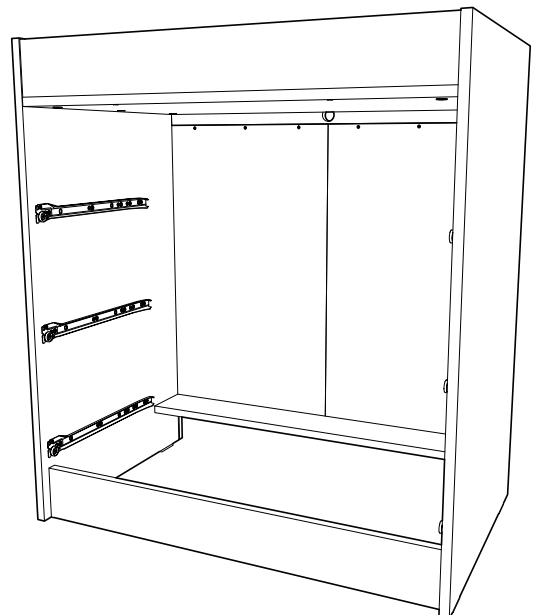
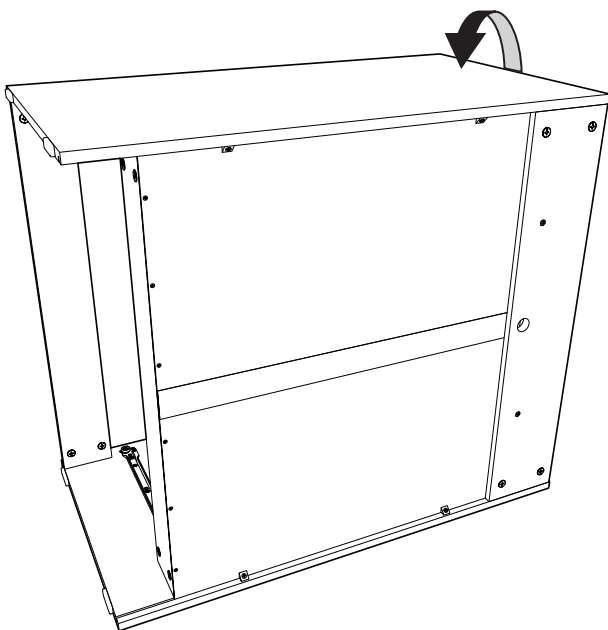
1006022



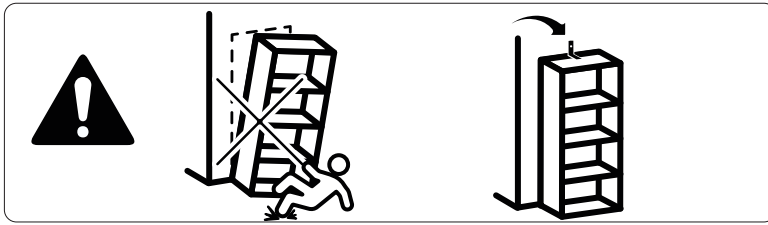
x 4



20



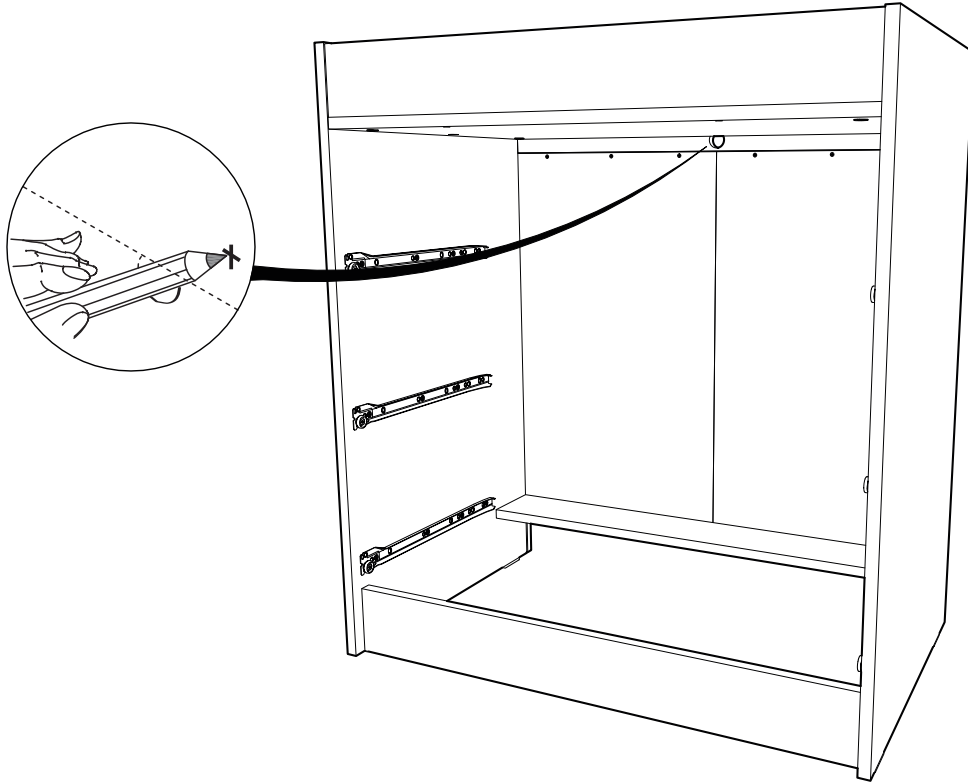
21



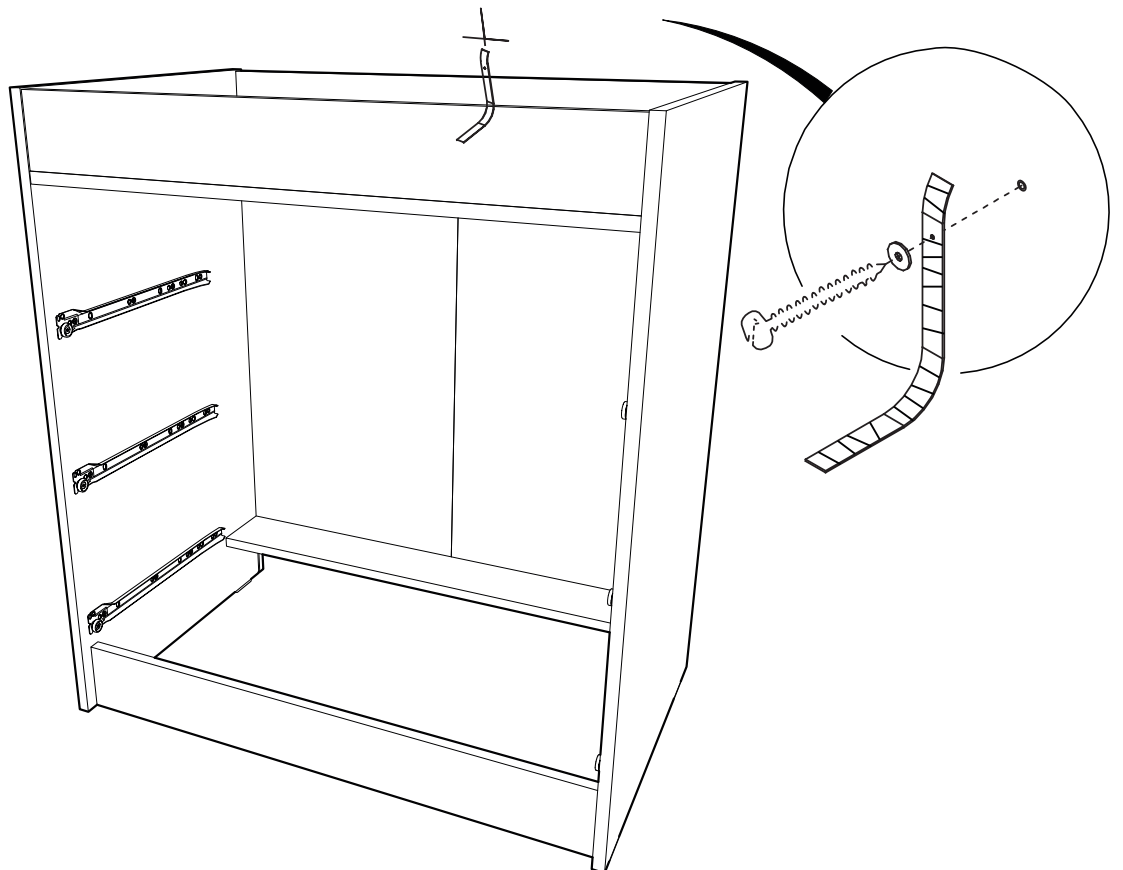
1000893



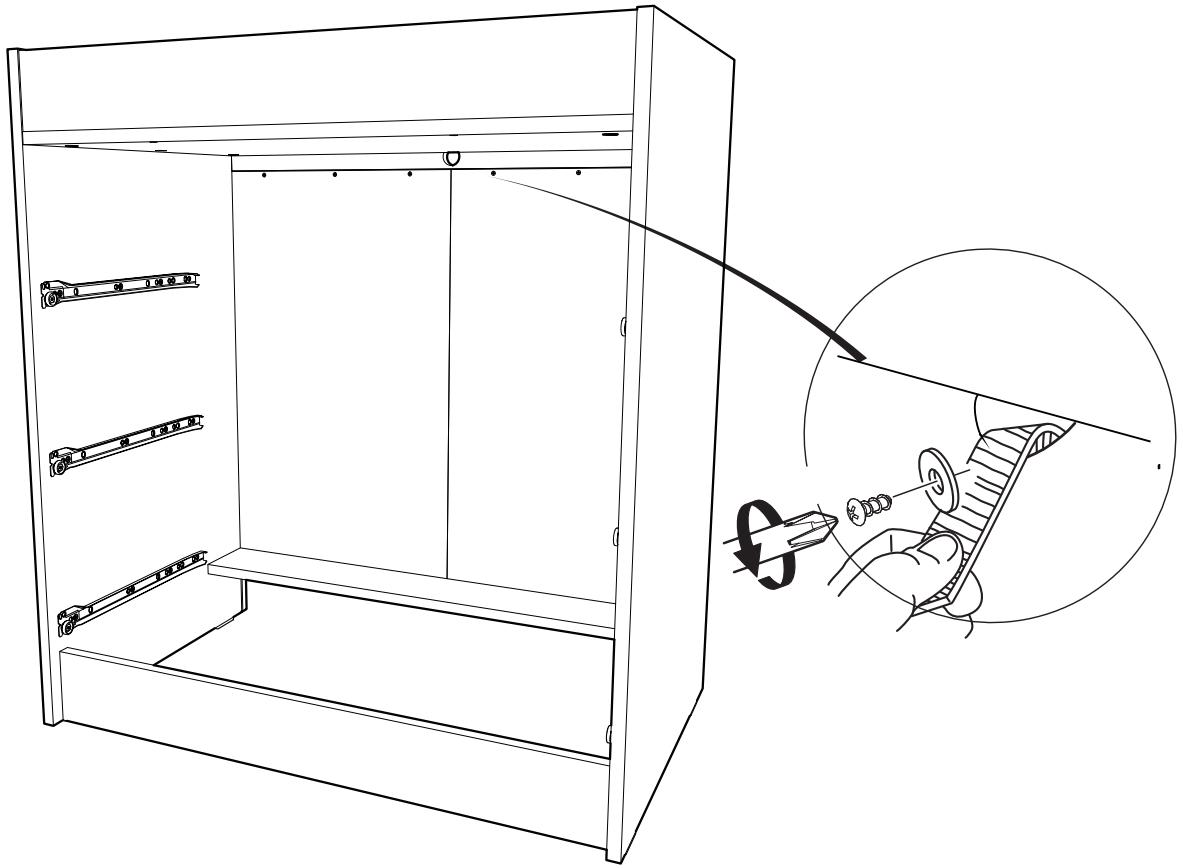
x 1



22

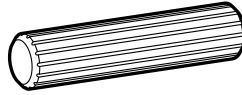


23



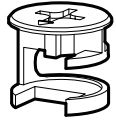
24

1005857

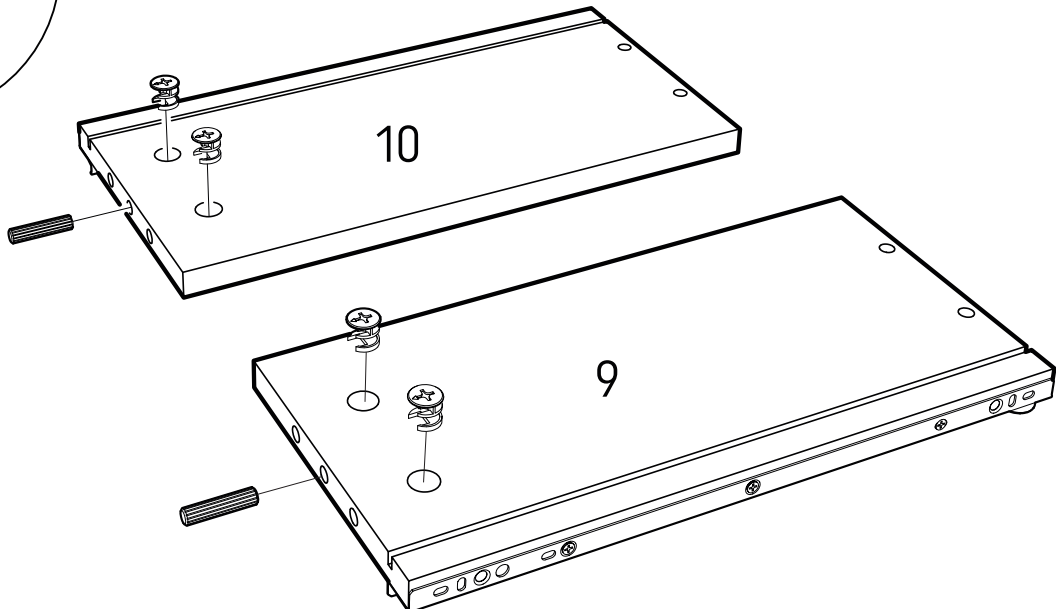
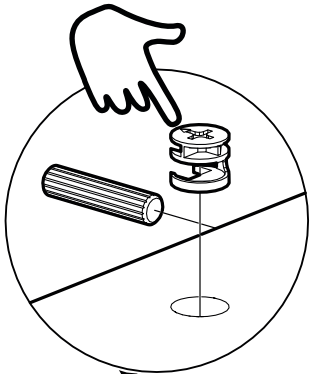


x 6

1005367



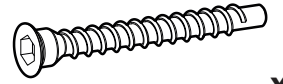
x 12



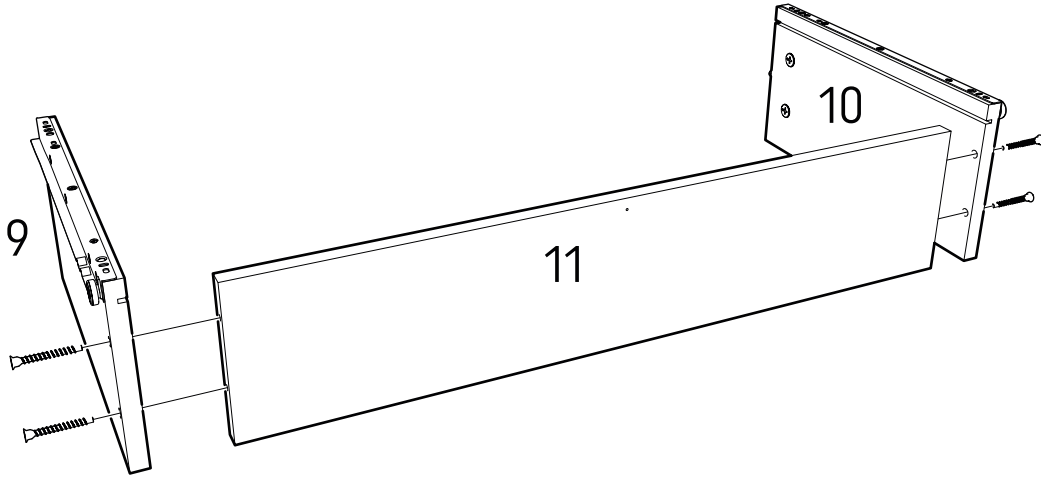
x 3

25

1005876



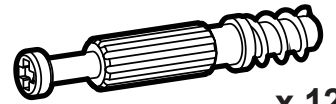
x 12



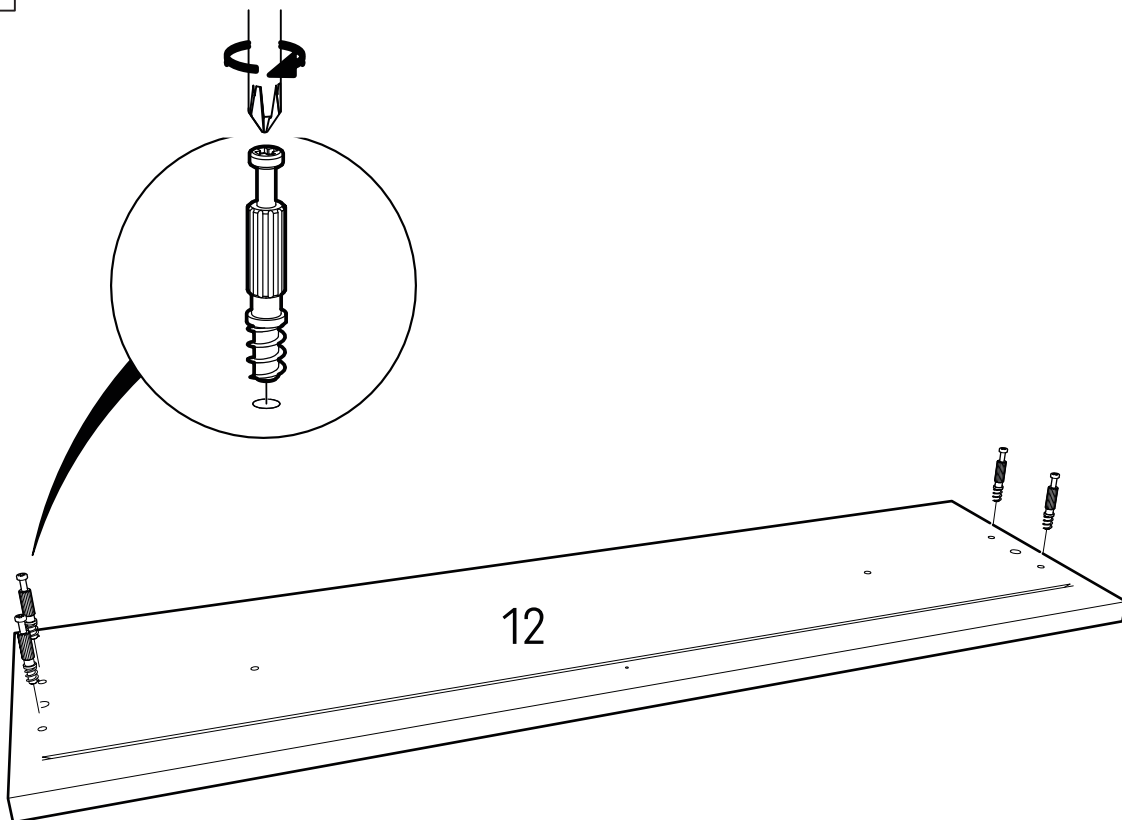
x 3

26

1006091

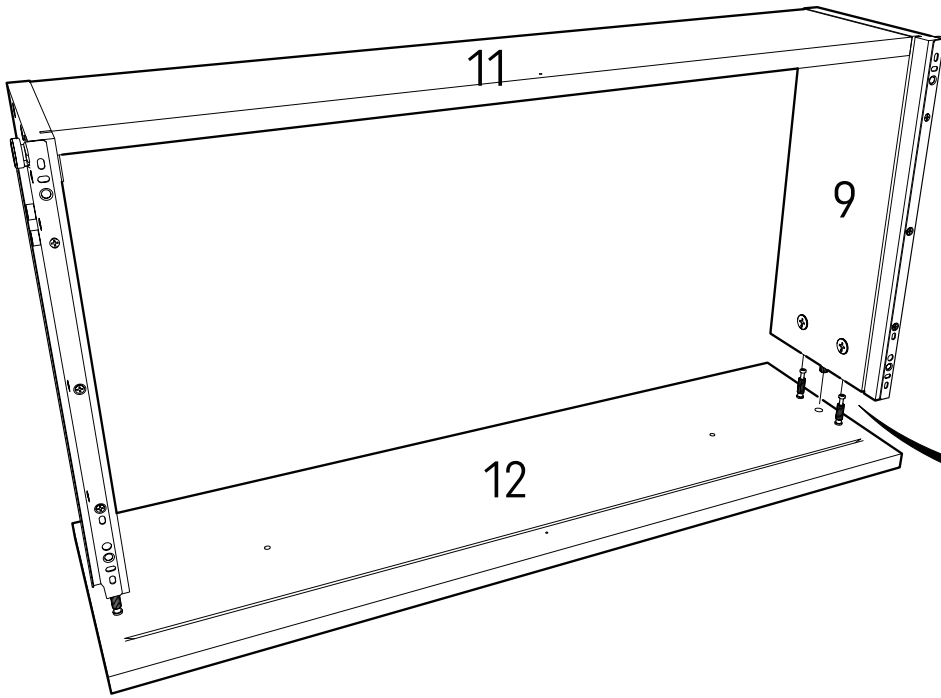
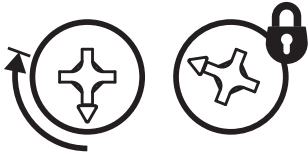


x 12

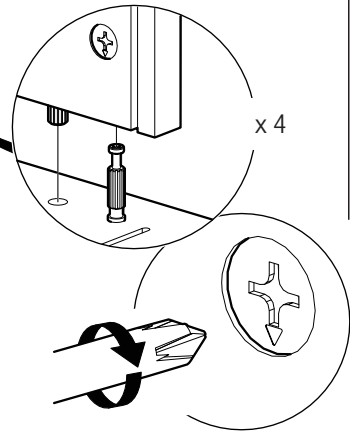


x 3

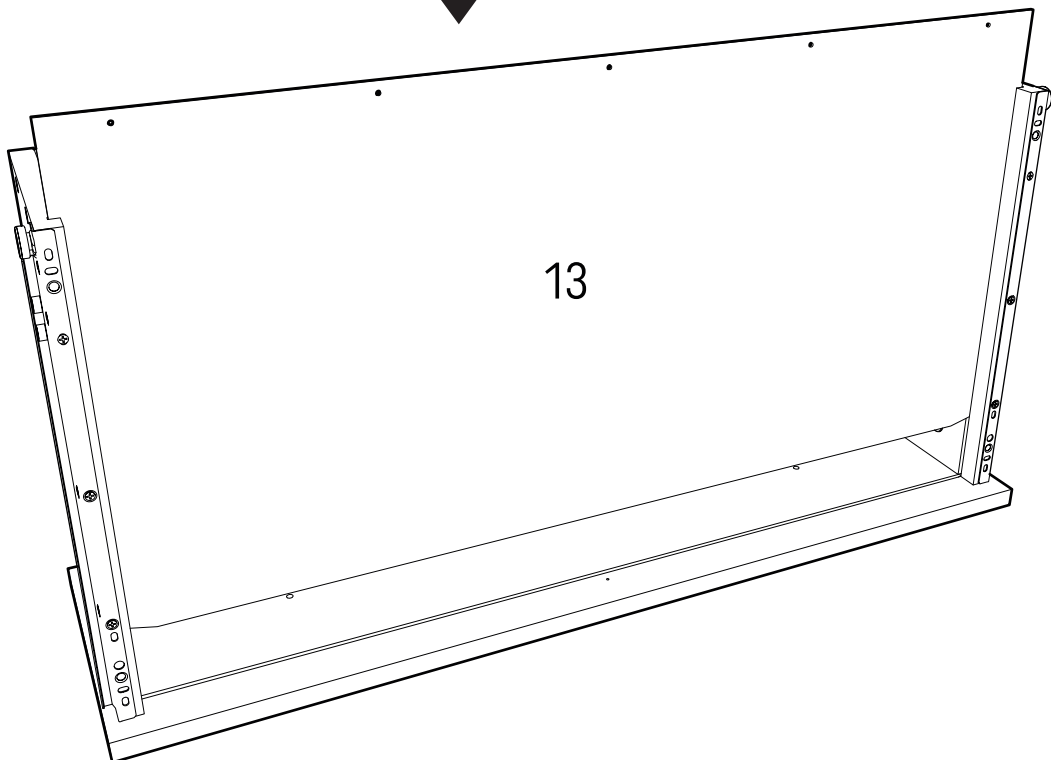
27



x 3



28



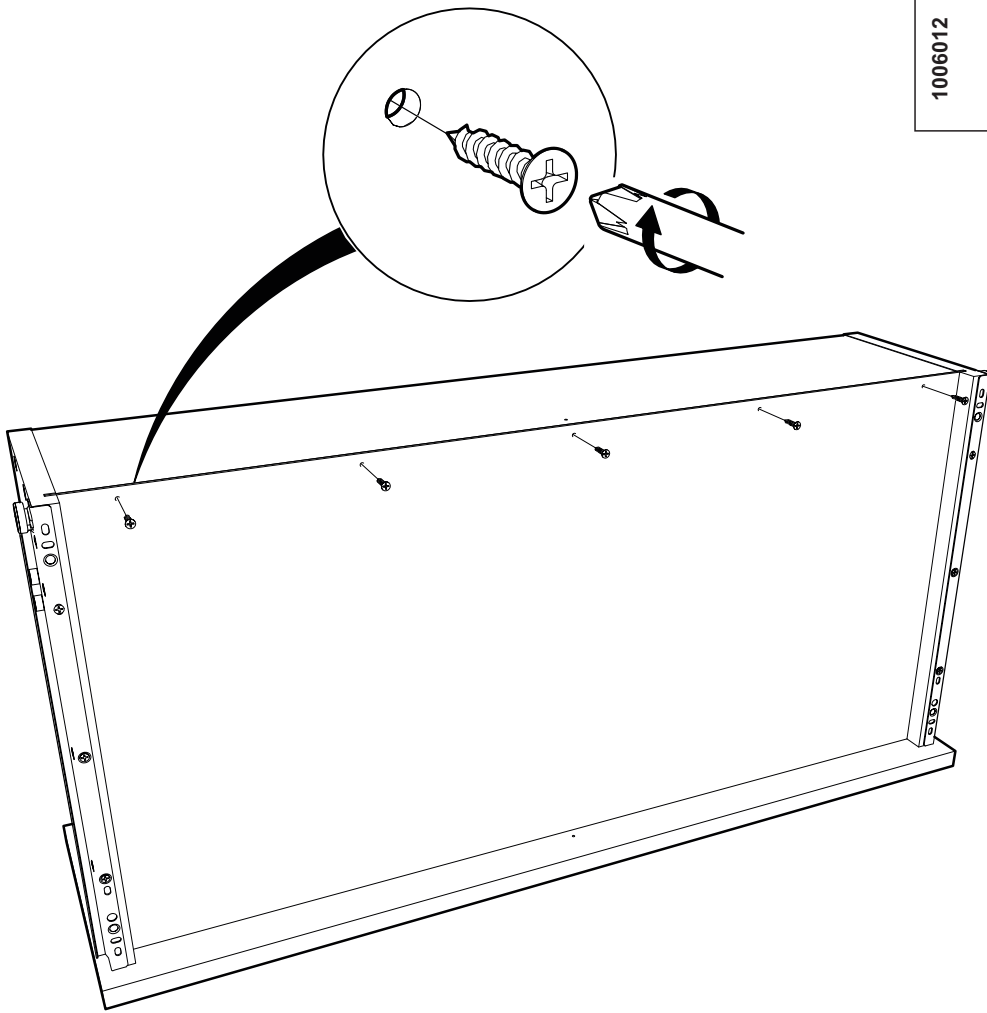
x 3

29

1006012



x 15



x 3

30

1004049

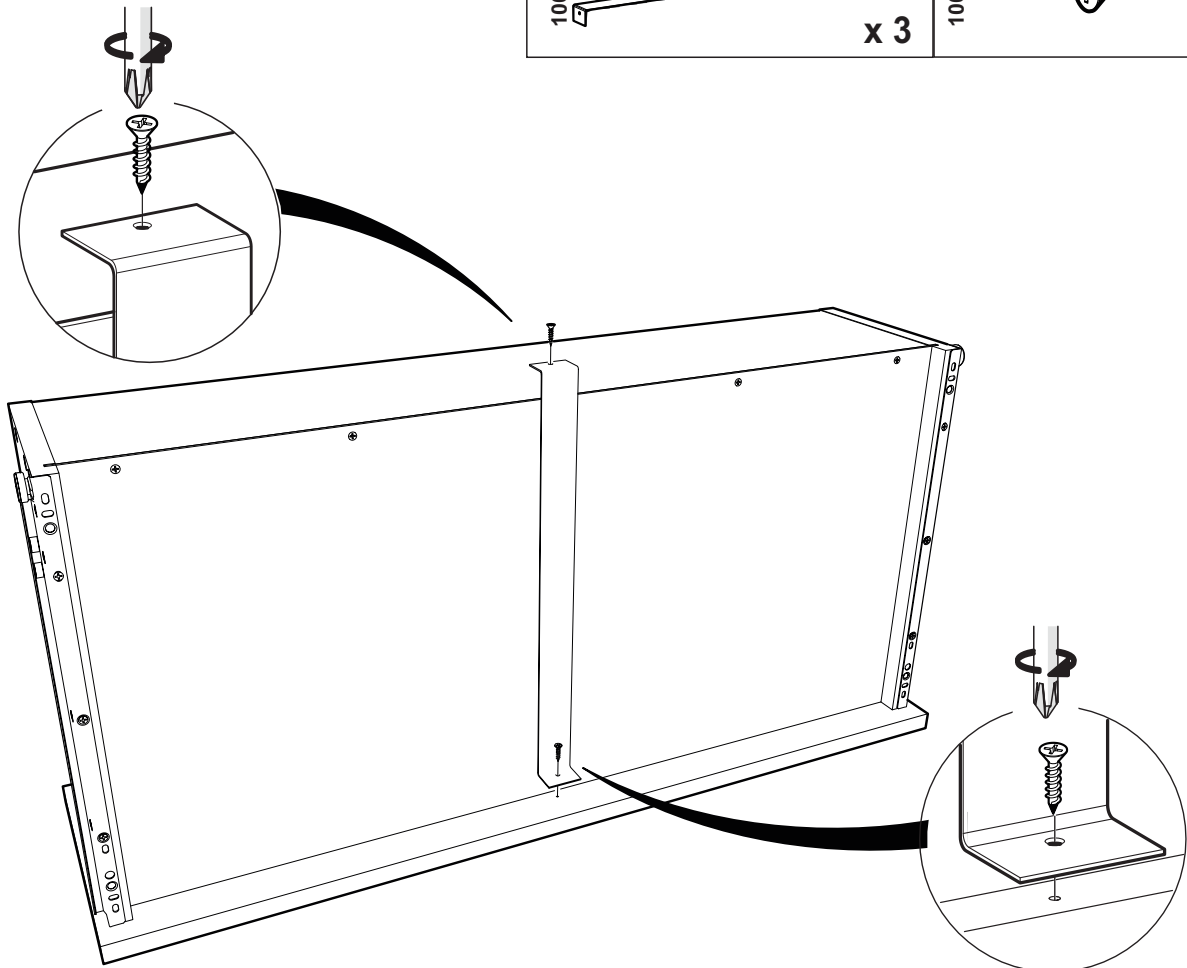


x 3

1006012



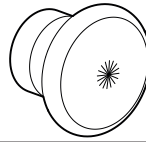
x 6



x 3

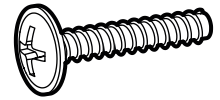
31

1108993

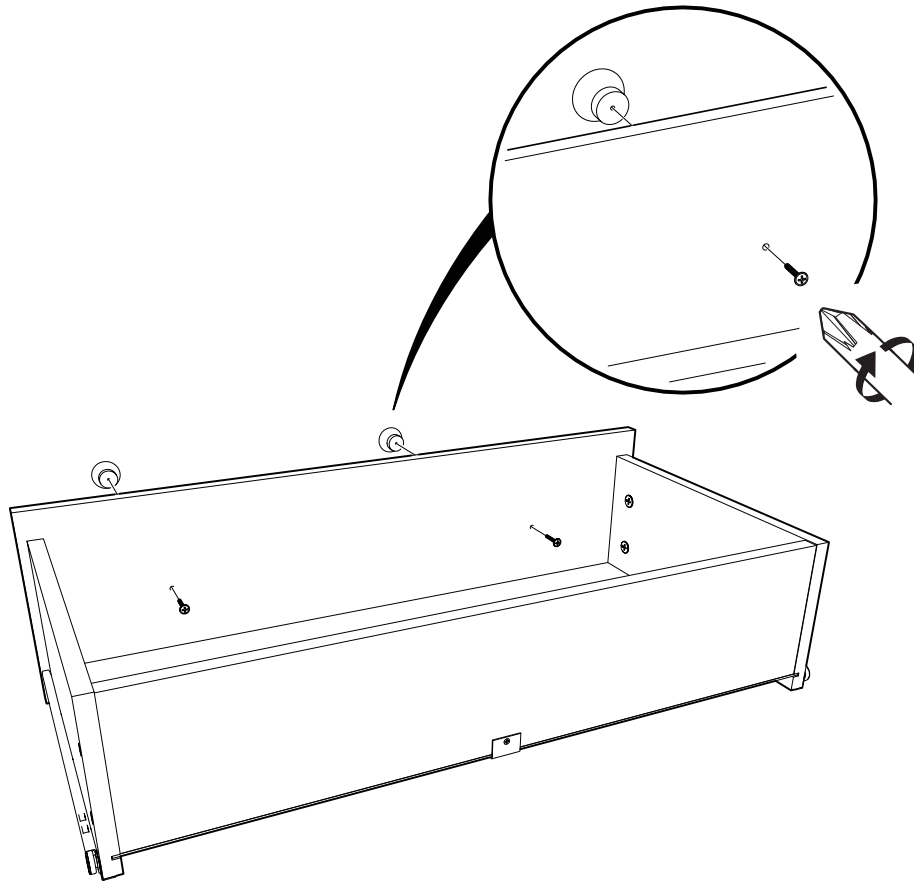


x 6

1005471



x 6



x 3

32

WARNING!

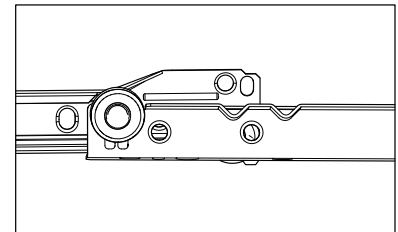
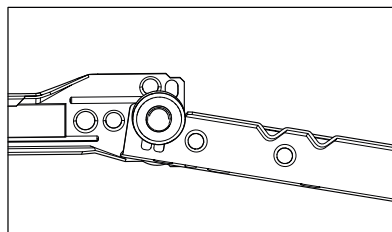
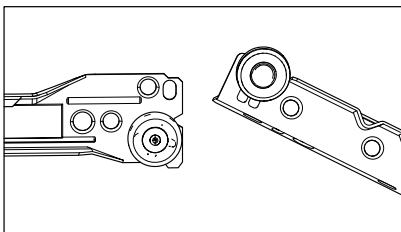
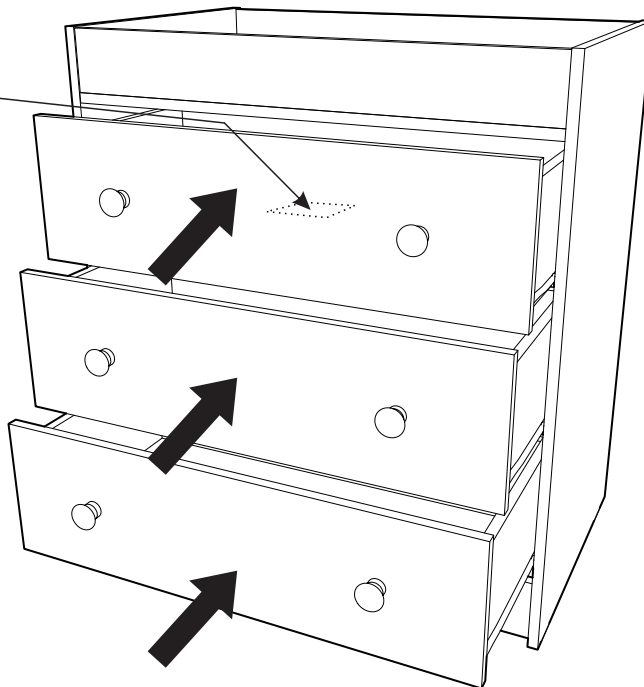
IN ORDER TO PREVENT OVERTURNING THE PRODUCT MUST BE USED WITH THE WALL ATTACHMENT DEVICE PROVIDED.

Serious or fatal crushing injuries can occur from furniture tipping over. To help prevent topple over:

- Use the wall attachment device provided
- Never allow children to climb or hang on drawers, doors or shelves
- Place heaviest items in the lower drawers or shelves
- Unless specifically designed to accommodate, do not set TV's or other heavy objects on top of this product
- Never open more than one drawer at a time.

An attachment device is provided with your product, however you will need to secure suitable fittings for your wall type. If in doubt, please consult a qualified tradesperson.

Always ensure the wall to be drilled is free from hidden electrical wires, water and gas pipes.





max 15 kg / 33 lb



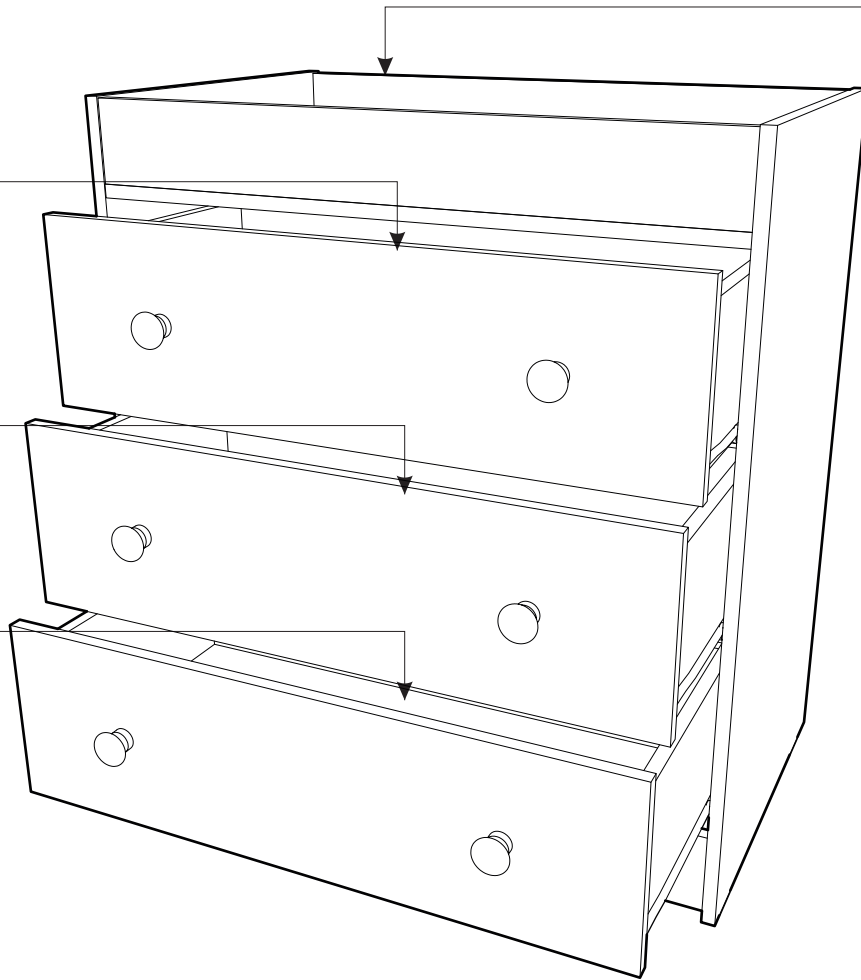
max 15 kg / 33 lb



max 15 kg / 33 lb



max 15 kg / 33 lb



Safety

Warning: Do not leave your child unattended.

Always use the wall attachment strap provided.

All assembly fixings should always be tightened properly. Care should be taken that no screws are loose because a child could trap parts of their body, or clothing (e.g. strings, necklaces, ribbons, dummies, etc.) which could pose a risk of strangulation.

Be aware of the risks of open fires and other such sources of strong heat, such as electric bar fires, gas fires, etc. in the near vicinity of the dresser.

Suitable for use with a changing mat of max size 43.5 x 75.8 cm

The changing area is suitable for use up to 12 months old or 11kg in weight.

Do not use the dresser if any of the parts are broken, torn or missing.

Any additional or replacement parts can only be obtained from the manufacturer or the distributor.

ensure there are no small parts fittings are left after assembly as these can be a choking hazard.

This product conforms to: EN 12221-1:2008+A1:2013

Maintenance

Take care when handling or moving the furniture. Careless handling may cause damage.

Regularly check that all fixings are tightened and that there are no broken or damaged parts.

Cleaning

Your dresser can be cleaned by wiping with a damp cloth and drying with a soft clean cloth. Do not use abrasives, bleach, alcohol or ammonia based household polishes.

Little Acorns

01952460696 and address:

The Malthouse,

Sheriffhales, Shifnal.

Shropshire TF11 8RD