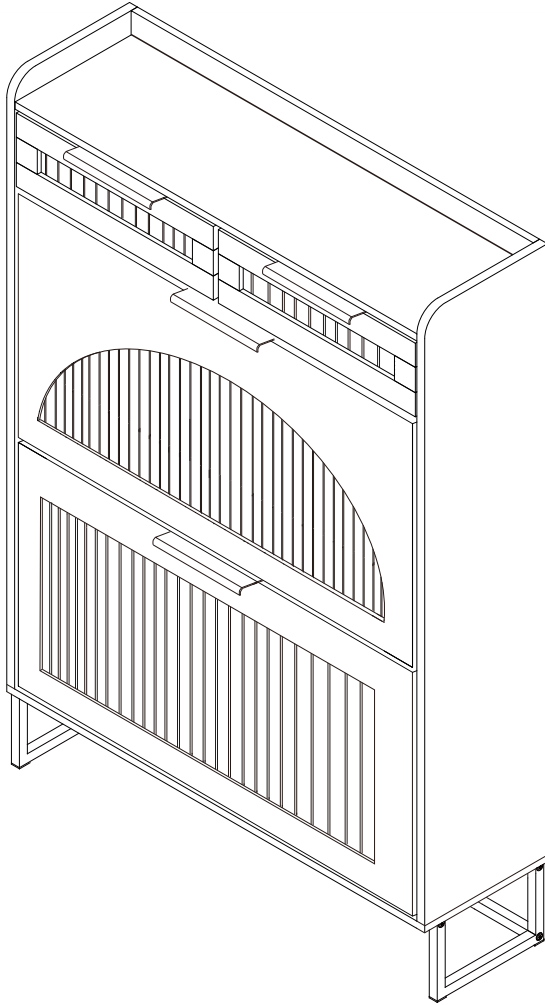


ASSEMBLY INSTRUCTIONS



The cabinet is tall and narrow, so please be permanently secured to the wall with the included anti-tip device to prevent the cabinet from tipping over.

ATTENTION

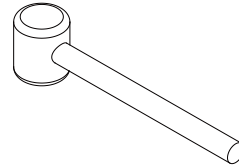
Prior to assembly, please check and count all parts and hardware regarding to the list on page 4-5 of the instruction. If there is any part missing or damaged, please send us messages with the part name and number or send us pictures, we will send you the replacement asap.

If you have any questions about the product or assembly, please kindly contact us at anytime, we will solve your problem asap.

Be sure to provide your order ID so we can assist you better.

ASSEMBLY TIPS

1. Please follow each step in the manual to ensure the proper assembly of this product.
2. Assemble the product in a spacious space, and on a soft, clean surface to avoid damage and scratches.
3. 2 people are recommended for ease in the assembly of this product.
4. Ensure all parts and hardware are available before assembly, if you find any part is damaged or missing, please email us
5. You will use the following tools: a Phillips head screwdriver, a rubber hammer

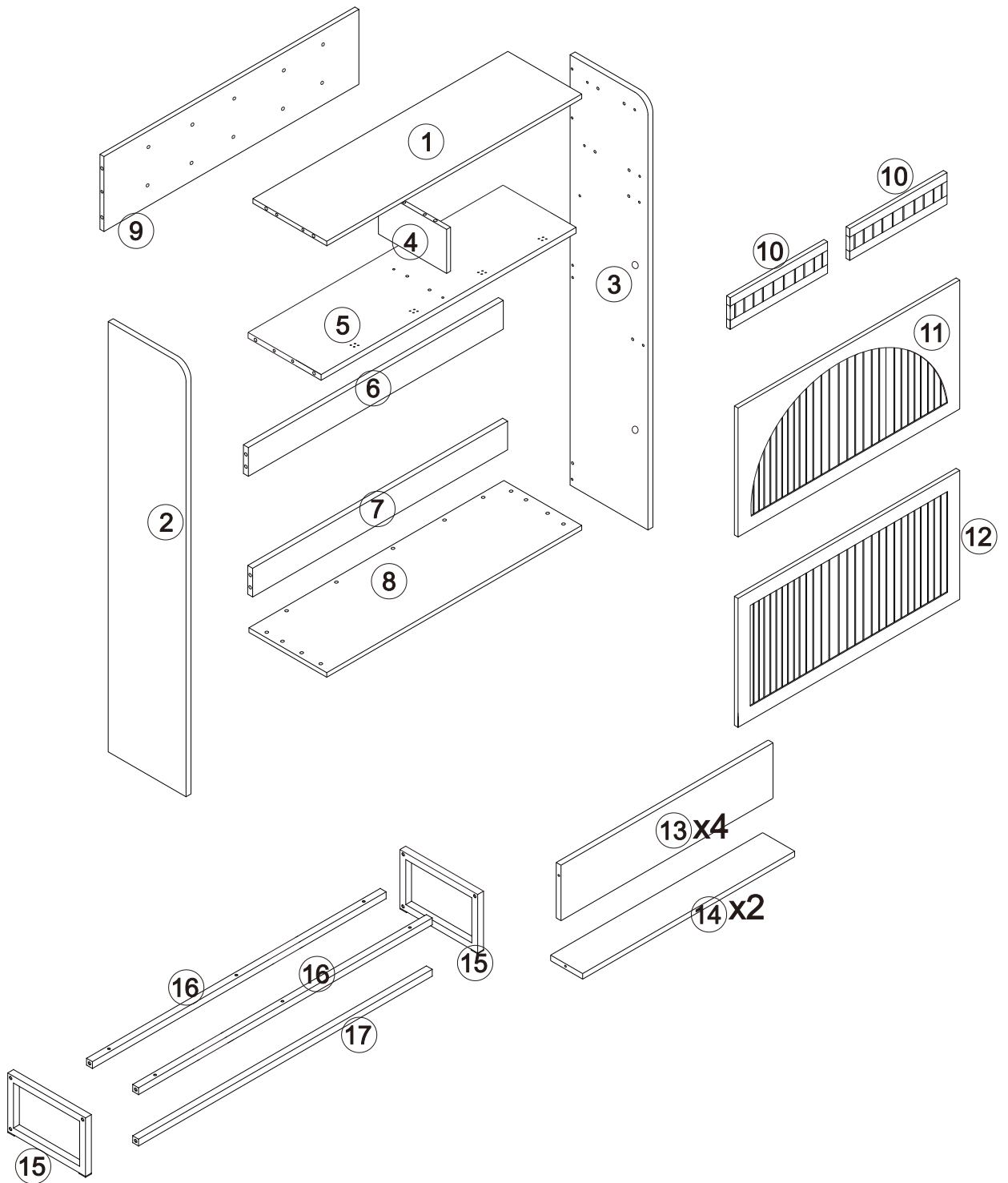


6. The wood dowels can be tapped in lightly with a hammer.
7. We don't recommend using the electric screwdriver, if you use the power screwdriver to tighten the screws, please be slow down, and stop if the screw is already tightened, excessive screwing may damage the screw and product surface.

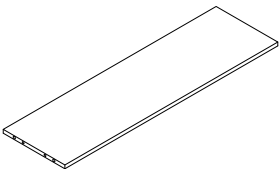
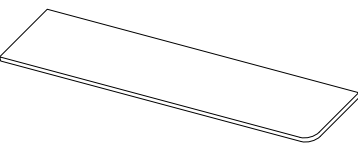
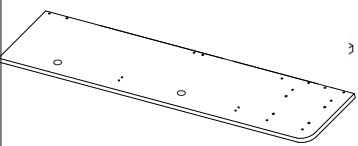
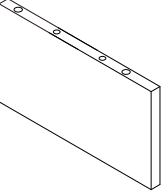
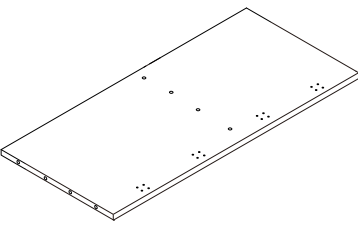
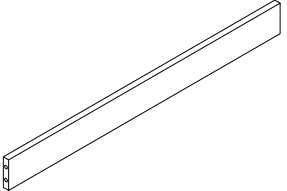
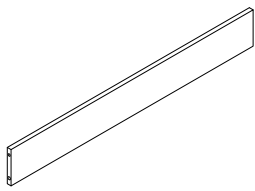
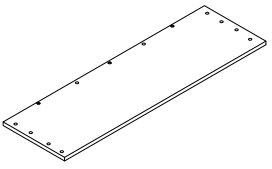
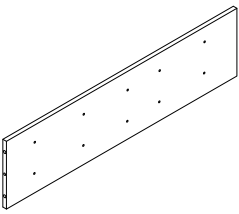
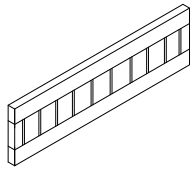
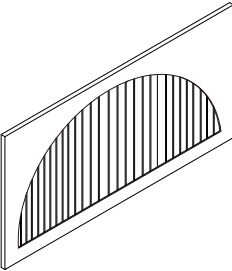
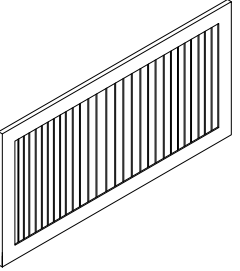
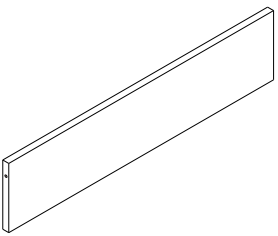
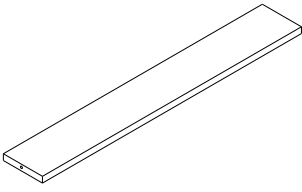
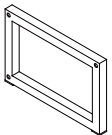
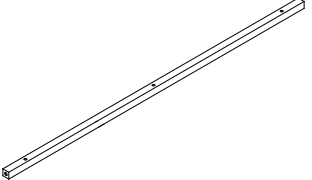
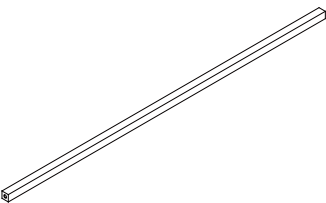
WARNINGS

1. Please be careful and slowly when opening and assembling the product, especially keep the parts and packaging away from children to avoid accidental injury.
2. Please avoid using aggressive chemicals/cleaners to avoid damaging the product surface.
3. Don't push or pull the product to avoid damaging your floor.
4. Attention: Don't throw away any packing materials and accessories until assembly is complete.

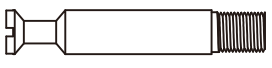

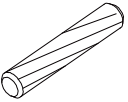
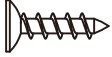

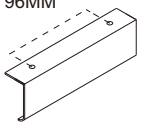
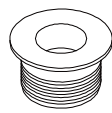

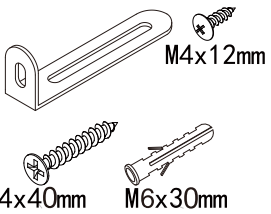
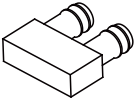


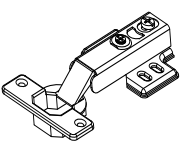
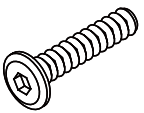
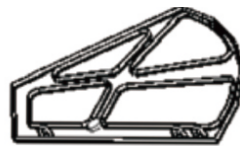
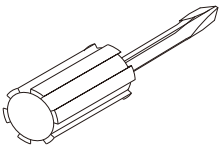

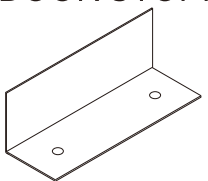
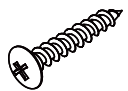
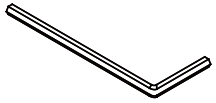
Exploded Drawing



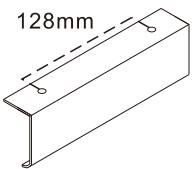


Board list

<p>① TOP PANEL</p>  <p>1PCS</p>	<p>② LEFT SIDE PANEL</p>  <p>1PCS</p>	<p>③ RIGHT SIDE PANEL</p>  <p>1PCS</p>	<p>④ DEVIDER</p>  <p>1PCS</p>
<p>⑤ HORIZONTAL BAR</p>  <p>1PCS</p>	<p>⑥ BACK MIDDLE BAR</p>  <p>1PCS</p>	<p>⑦ BACK LOWER BAR</p>  <p>1PCS</p>	<p>⑧ BOTTOM PANEL</p>  <p>1PCS</p>
<p>⑨ BACK UPPER PANEL</p>  <p>1PCS</p>	<p>⑩ SMALL DOOR</p>  <p>2PCS</p>	<p>⑪ UPPER FLIP DOOR</p>  <p>1PCS</p>	<p>⑫ LOWER FLIP DOOR</p>  <p>1PCS</p>
<p>⑬ SHOE BOX LAYER PANEL</p>  <p>4PCS</p>	<p>⑭ SHOE BOX BOTTOM PANEL</p>  <p>2PCS</p>	<p>⑮ METAL FRAME</p>  <p>2PCS</p>	<p>⑯ IRON STRIP</p>  <p>2PCS</p>
<p>⑰ IRON STRIP</p>  <p>1PCS</p>			

Hardware List

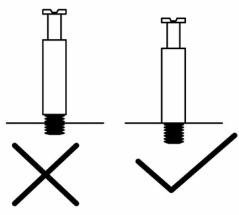
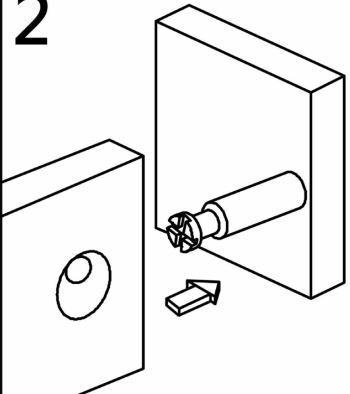
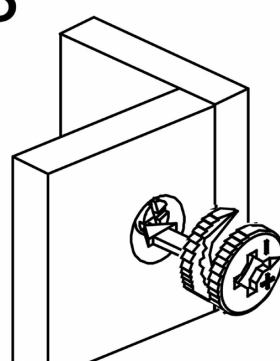
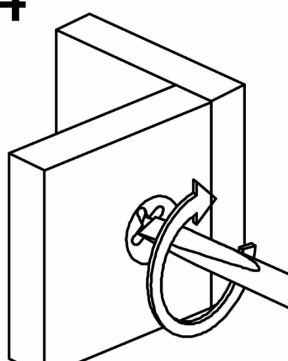
<p>(A) CAM BOLT</p>  <p>∅6X35mm</p> <p>22PCS spare:2</p>	<p>(B) CAM LOCK</p>  <p>∅15X10mm</p> <p>22PCS spare:2</p>	<p>(C) WOOD DOWEL</p>  <p>∅6X30mm</p> <p>24PCS spare:2</p>	<p>(D) SCREW</p>  <p>∅3.5 X14 mm</p> <p>24PCS spare:3</p>
<p>(E) SCREW</p>  <p>∅3 X12mm</p> <p>8PCS spare:1</p>	<p>(F) HANDLE</p>  <p>96MM</p> <p>2PCS</p>	<p>(G) PLASTIC SCREW</p>  <p>4 PCS spare:1</p>	<p>(H) PLASTIC PLUG</p>  <p>4PCS spare:1</p>
<p>(J) ANTI-TIP ACCESSORIES</p>  <p>M4x12mm M4x40mm M6x30mm</p> <p>2PCS</p>	<p>(K) PLASTIC PIN</p>  <p>4PCS spare:1</p>	<p>(L) SHOE BOX LEFT SUPPORT</p>  <p>2PCS</p>	<p>(M) SCREW</p>  <p>M4x35mm</p> <p>15PCS spare:2</p>
<p>(N) HINGE</p>  <p>4PCS</p>	<p>(P) BOLT</p>  <p>∅6X35MM</p> <p>6PCS spare:1</p>	<p>(R) SHOE BOX RIGHT SUPPORT</p>  <p>2PCS</p>	<p>SCREW DRIVER</p>  <p>1PCS</p>
<p>(T) SCREW</p>  <p>M4x12mm</p> <p>4PCS spare:1</p>	<p>(U) DOOR STOPPER</p>  <p>2PCS</p>	<p>(W) SCREW</p>  <p>M4X25mm</p> <p>6PCS spare:1</p>	<p>ALLEN KEY</p>  <p>1PCS</p>

Hardware List

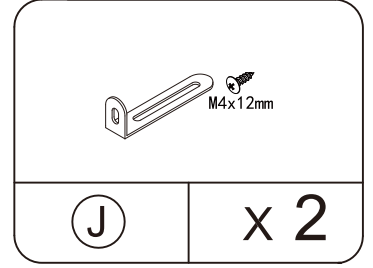
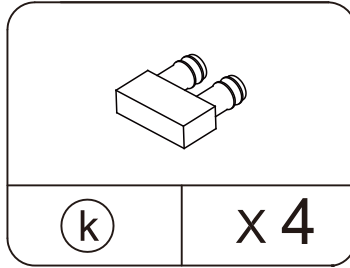
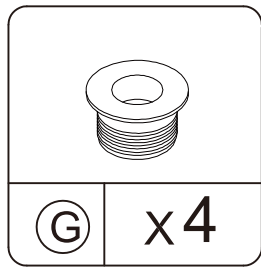
<p>(X) HANDLE</p>  <p>128mm</p> <p>2PCS</p>	<p>(Y) SCREW</p>  <p>Ø4x10mm</p> <p>4PCS spare:1</p>	<p>(Z) SCREW</p>  <p>Ø3.5X12mm</p> <p>24PCS spare:3</p>
------------------------------------------------------------------------------------------------------------------------------	-------------------------------------------------------------------------------------------------------------------------------------------	-----------------------------------------------------------------------------------------------------------------------------------------------

CAM LOCK/BOLT FASTENING INTRODUCTION

(You will use it during assembly)

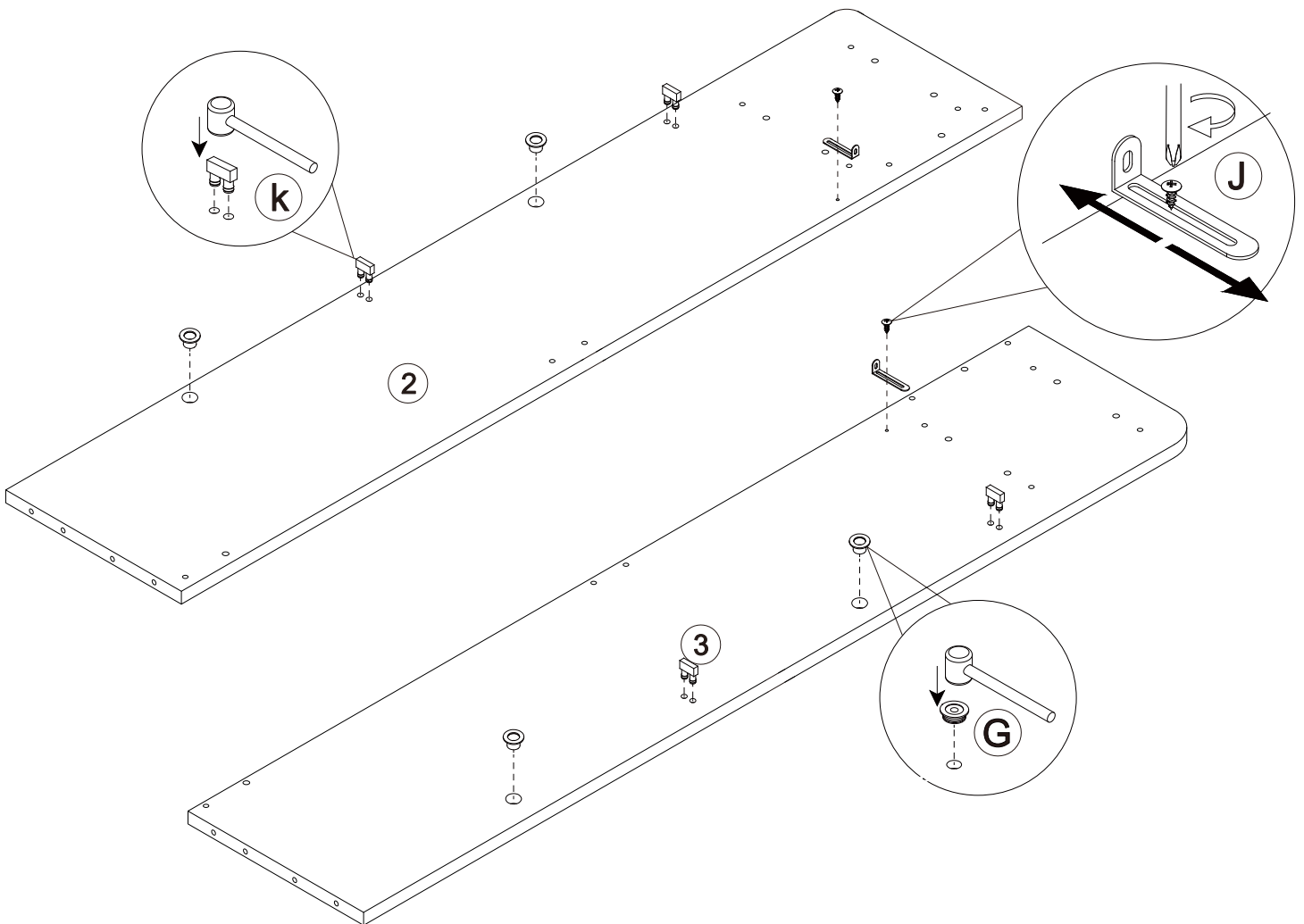
<p>1</p> 	<p>2</p> 	<p>3</p> 	<p>4</p> 
<p>1.Screw cam bolt into the threaded anchor gently. (Attention:don't screw cam bolt too deep or too shallow.)</p>	<p>2.Please connect the 2 boards you want connect by inserting cam bolt.</p>	<p>3.Insert the cam lock into the round hole of the board. (Attention:point the arrow on the top of the cam lock to the outer edge.)</p>	<p>4.Turn the cam lock clockwise until it is firmly tightened.</p>

1.



- (1) Use a rubber hammer to gently hammer the plastic fitting (G)(K) into panel (2)(3).
- (2) Use screw (J) to lock the L-shaped metal plate (J) to panel (2)(3).

Just tighten the screw (J) to 90%, and tighten screws 100% after you lock the cabinet to the wall in step 11.



2.

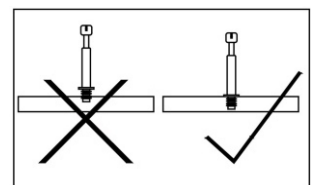
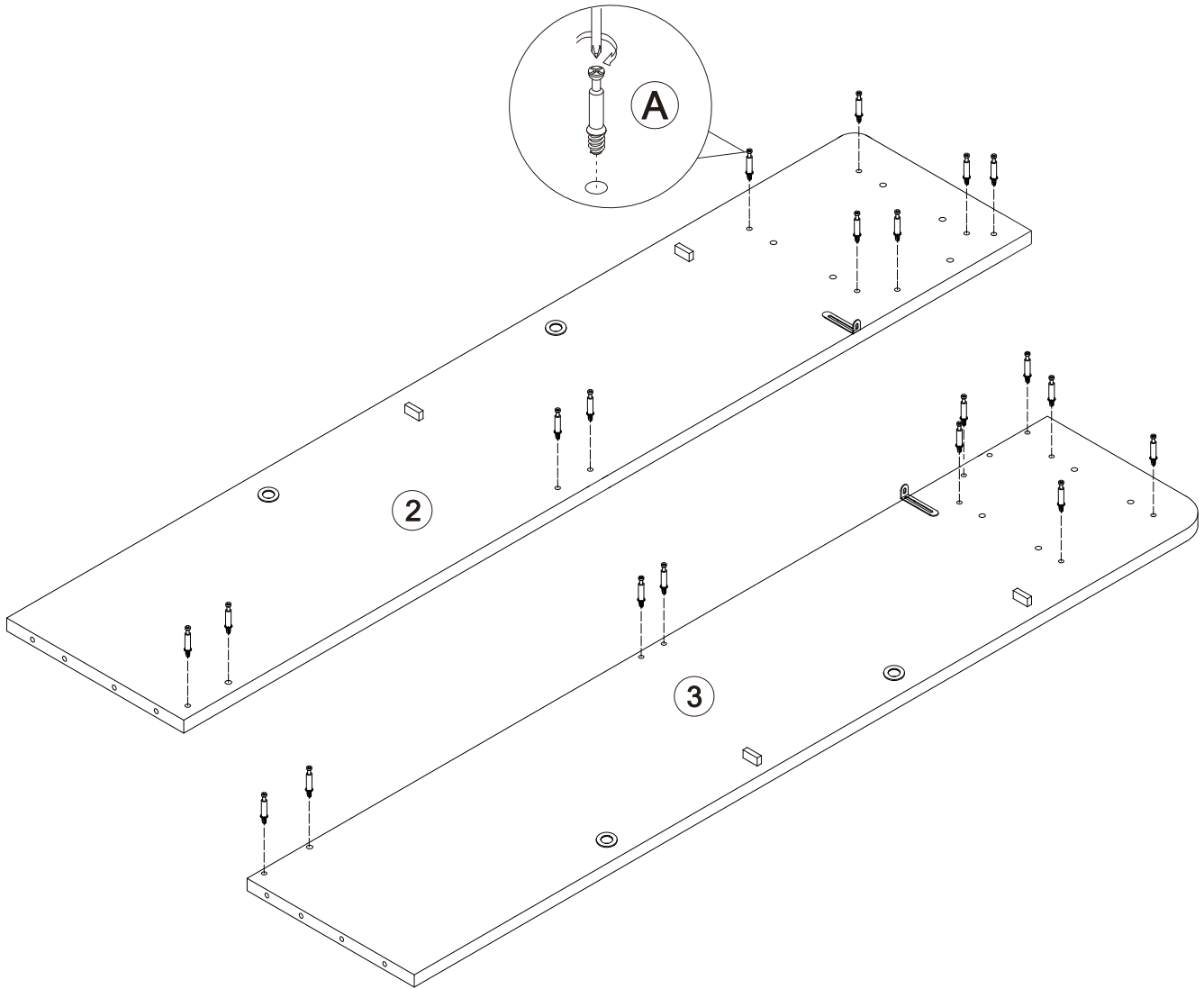


Ø6X35mm

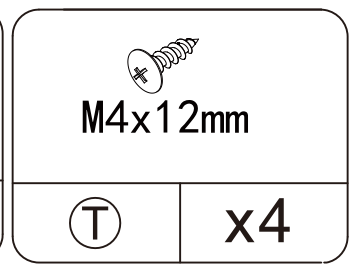
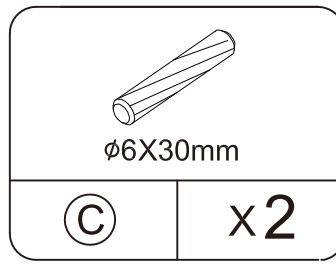
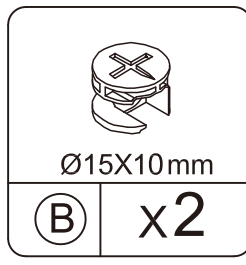
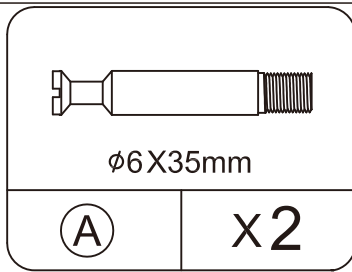
(A)

x20

(1) Gently screw cam bolt(A) into the threaded anchor on panel(2)(3).

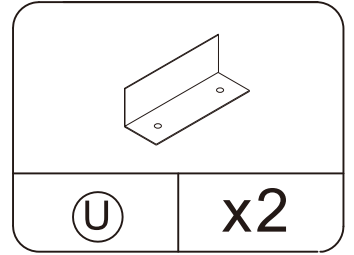


3.

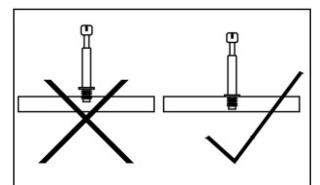
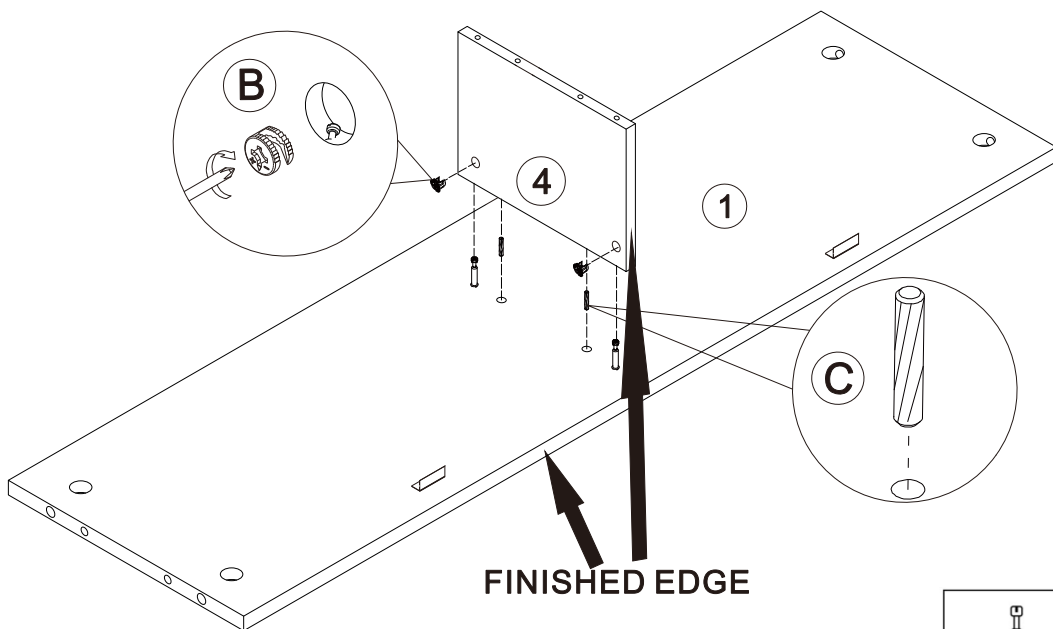
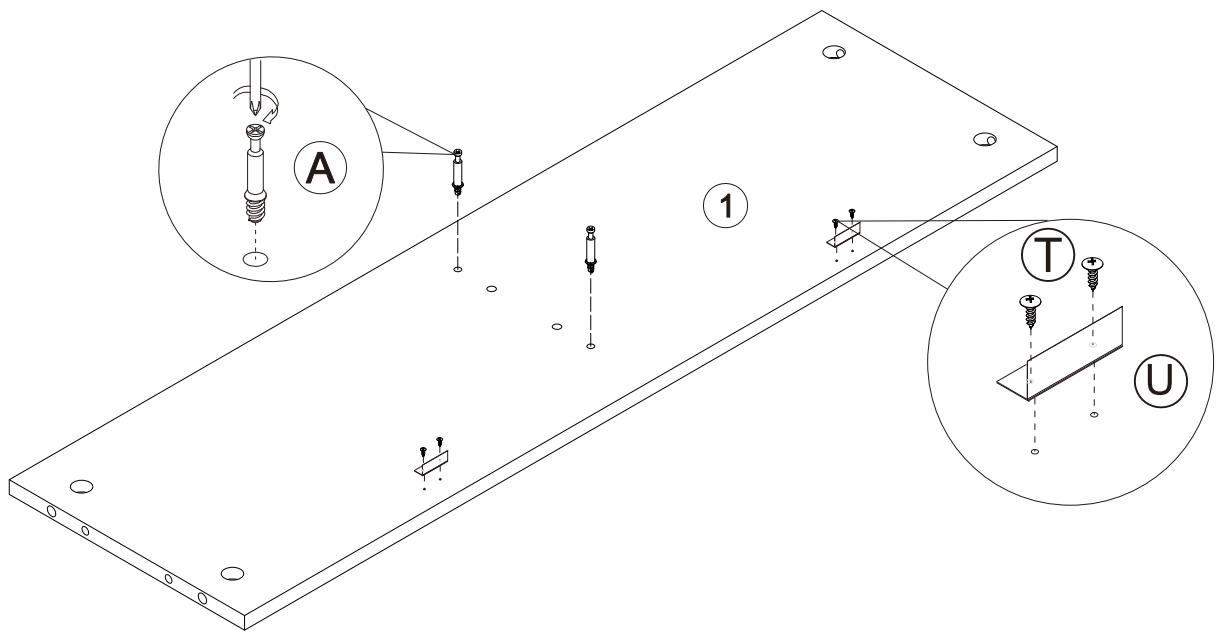


(1) Gently screw cam bolt(A) into the threaded anchor on panel(1).

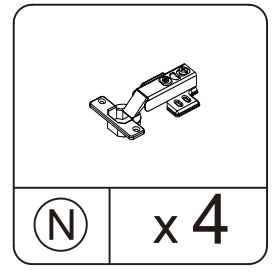
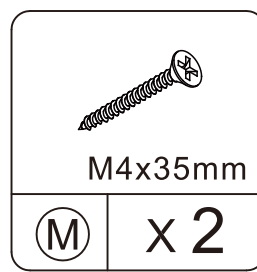
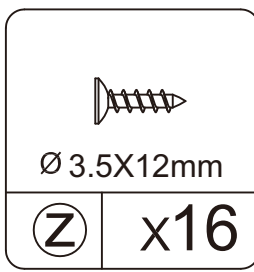
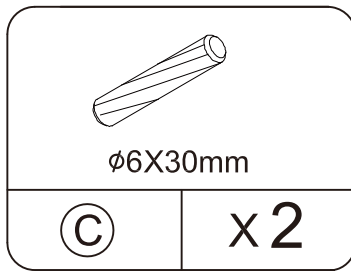
(2) Attach panel(4) to panel(1) by inserting wooden dowel(C) and cam lock(B), and then rotate clockwise to secure cam lock(B).



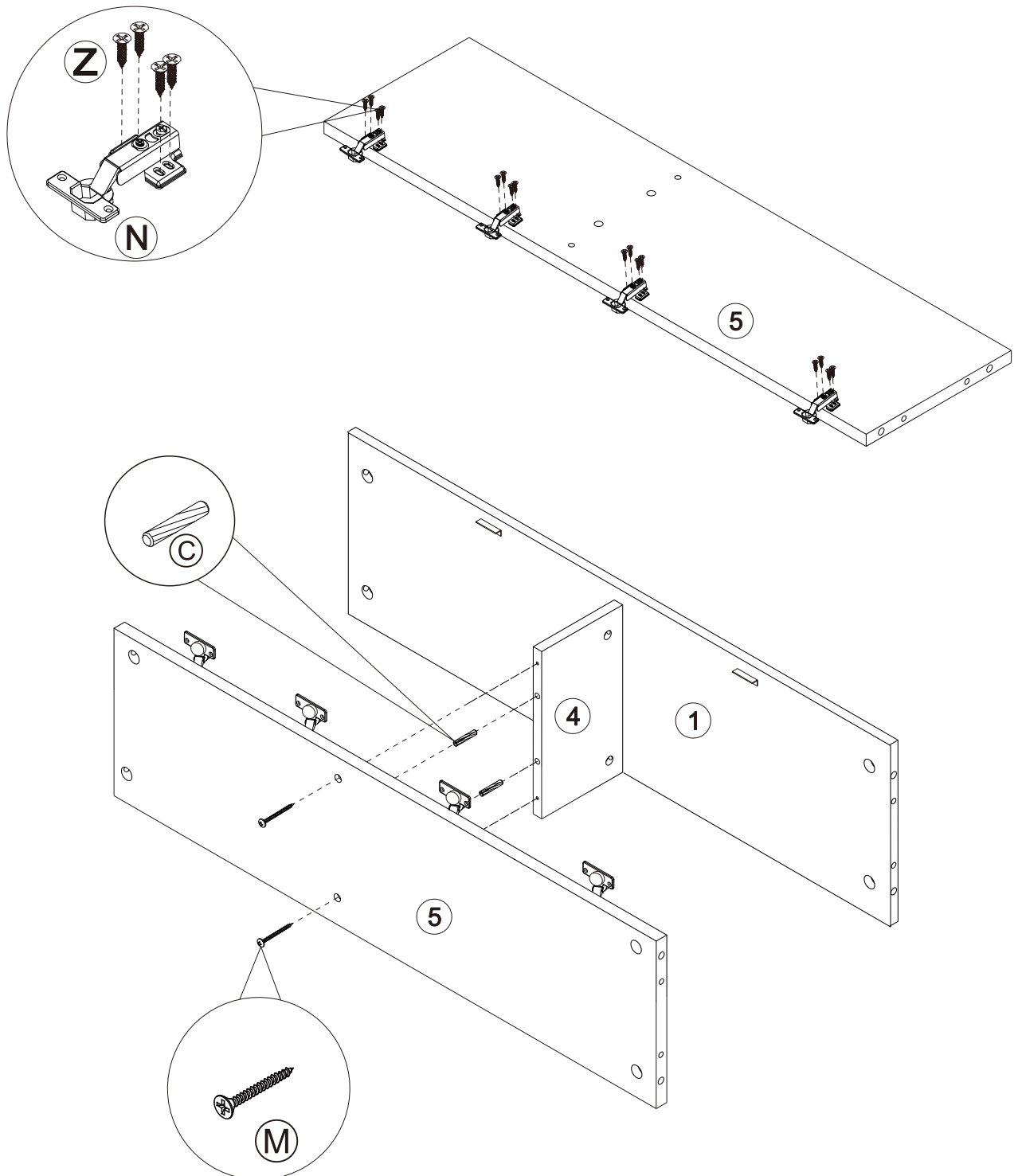
Attention: One side of panel(1)(4) is not finished edge banding, please don't install them upside down.



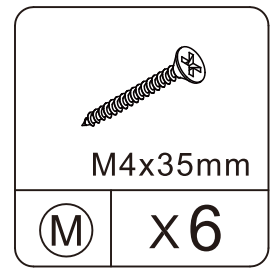
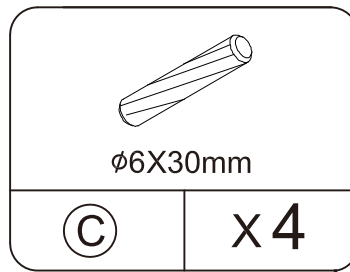
4.



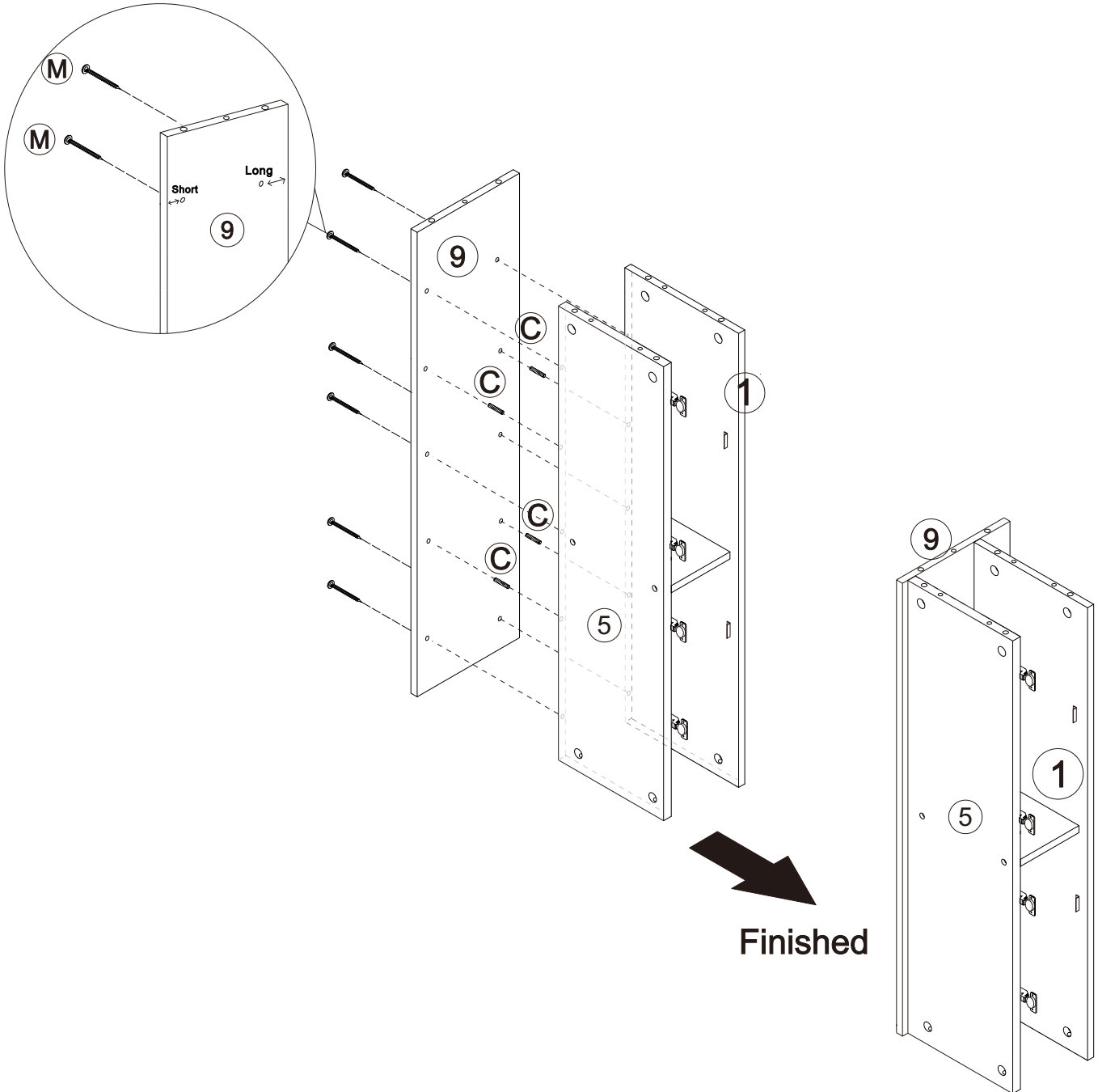
(1) Attach panel(5) to panel(4) with wooden dowel(C) and screw(M).

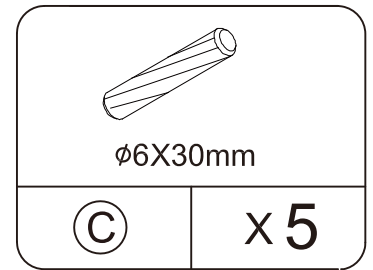
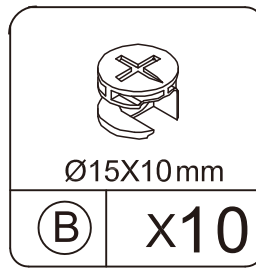


5.



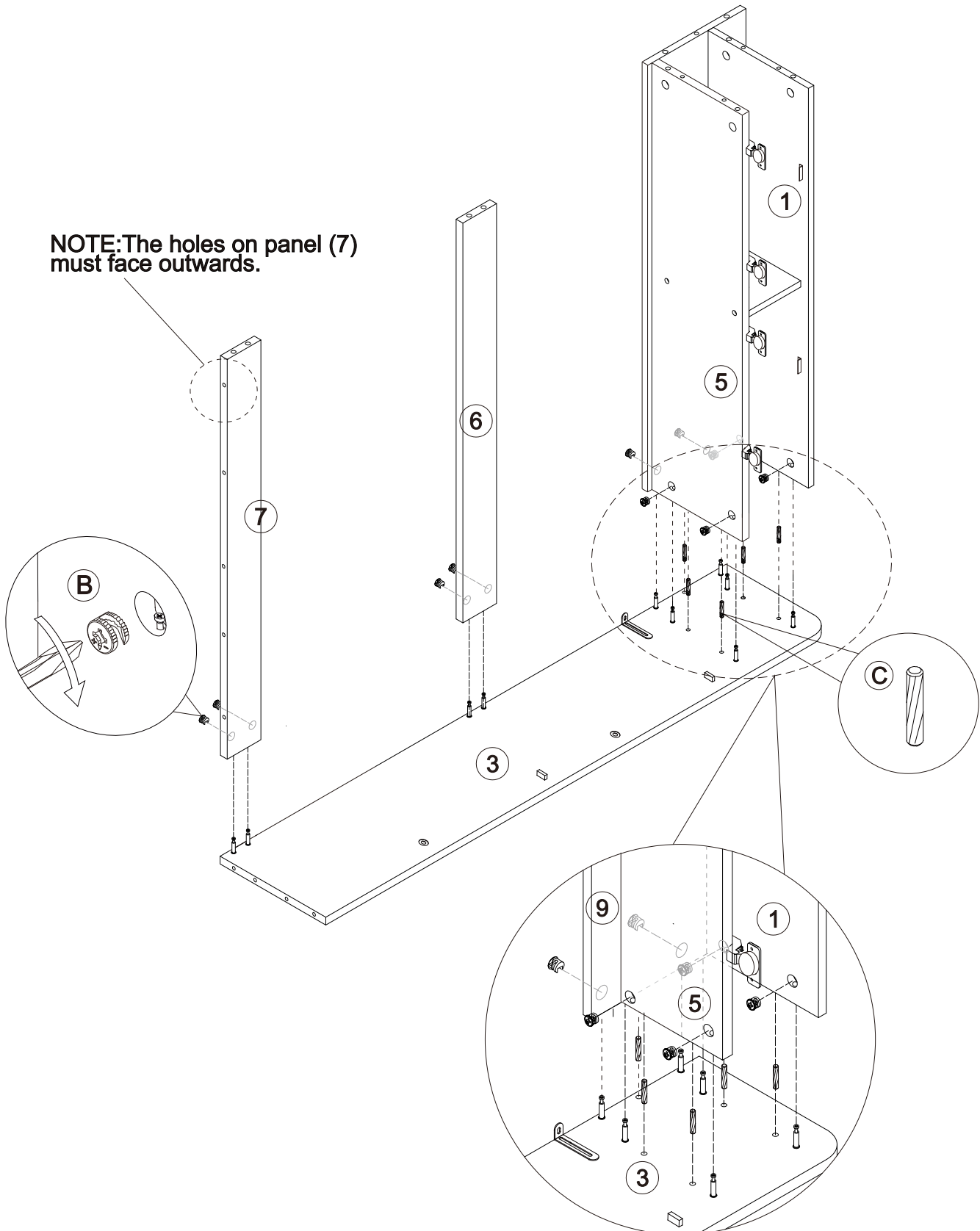
(1) Attach panel(9) to the frame with wooden dowel(C) and screw(M).



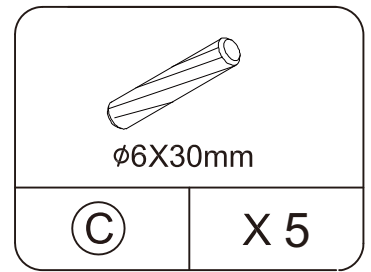
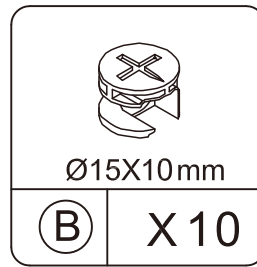


- 6.**
 (1) Attach panel(6)(7) and the frame assembled in the last step to panel(3) by inserting wooden dowel(C) and cam lock(B), and then rotate clockwise to secure cam lock(B).

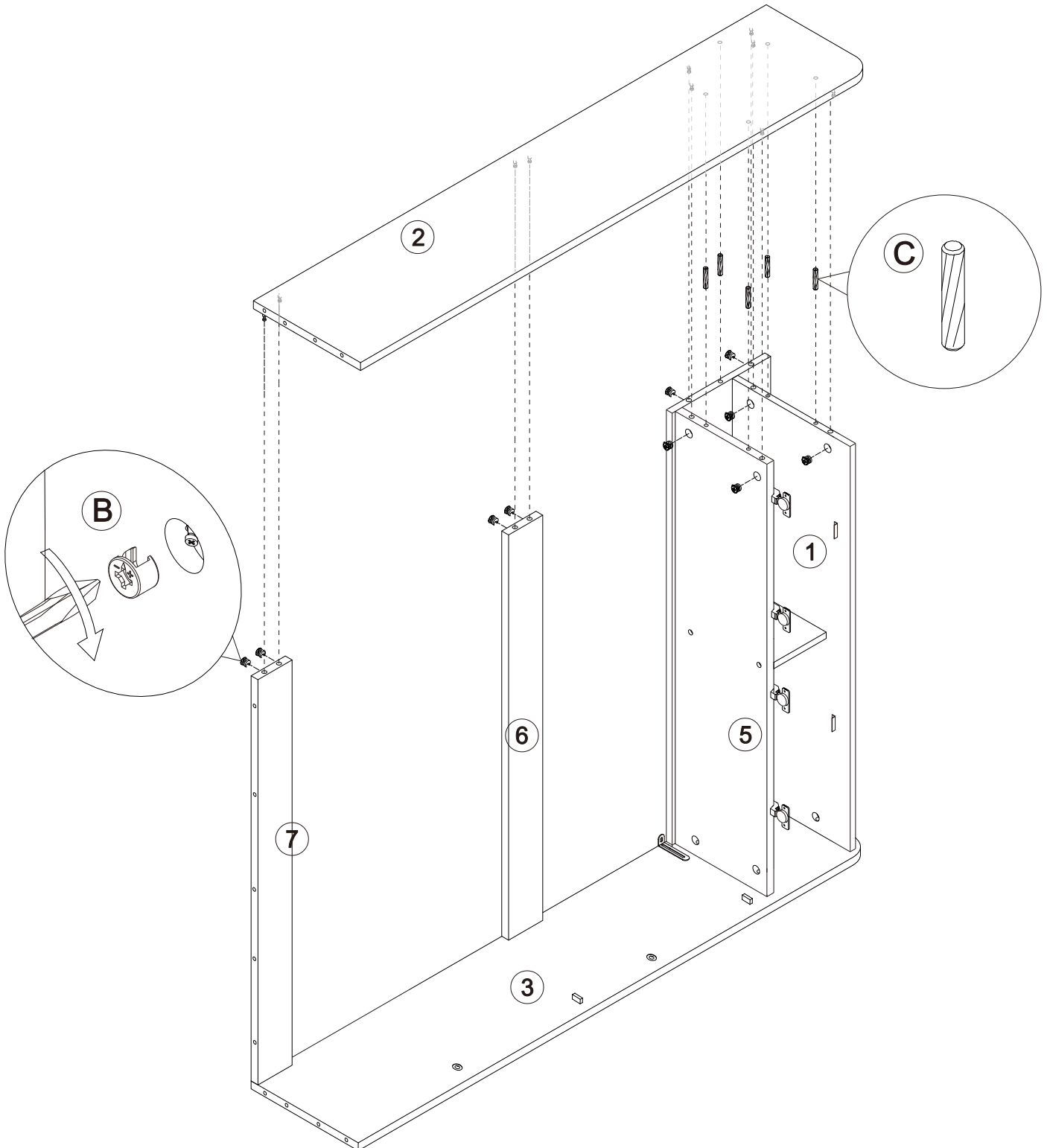
NOTE: The holes on panel (7) must face outwards.



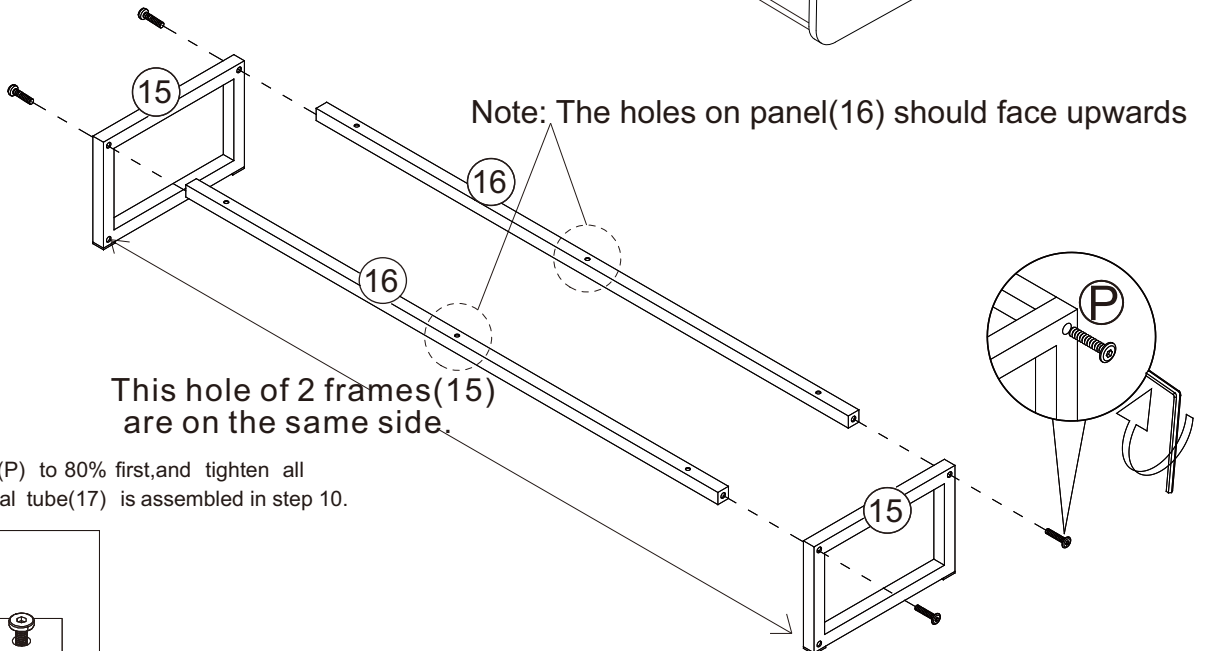
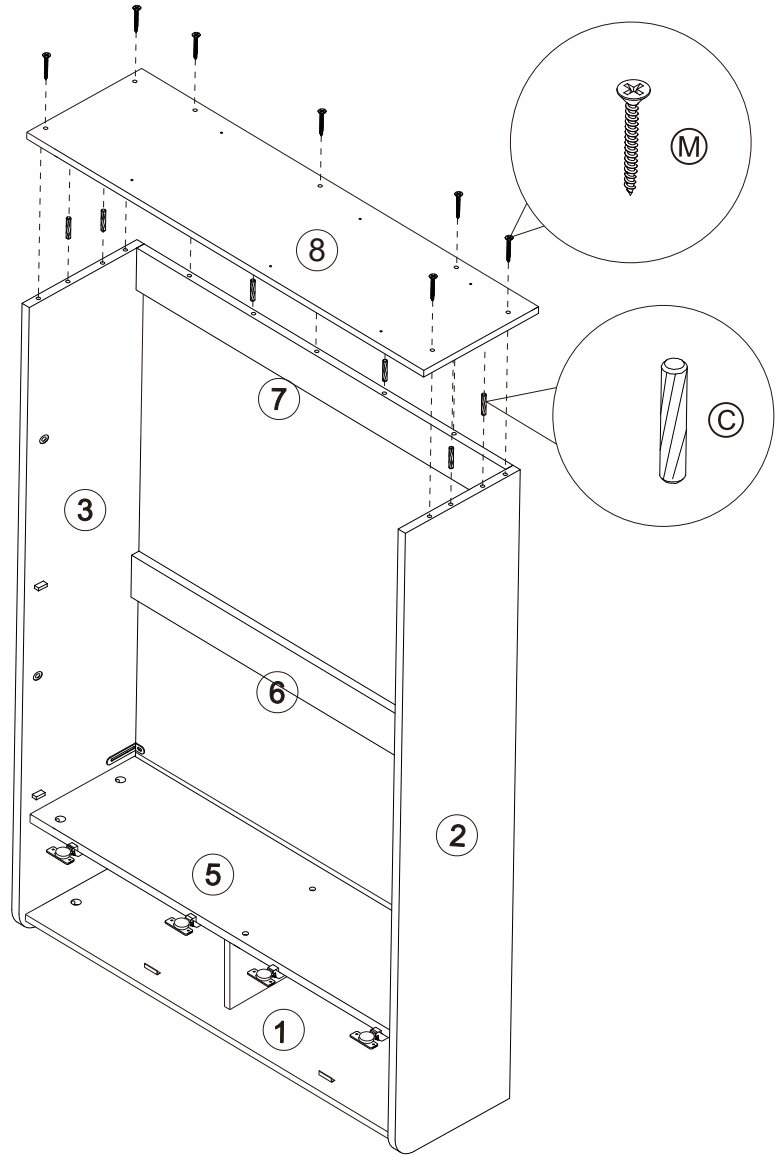
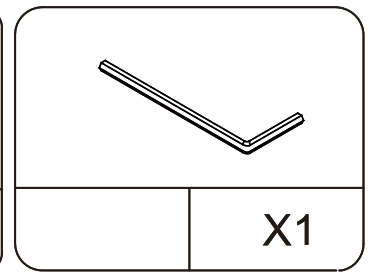
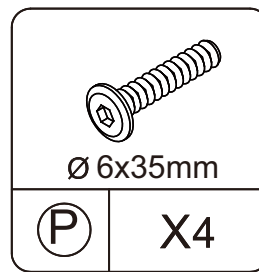
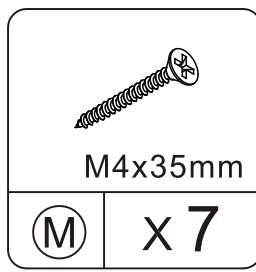
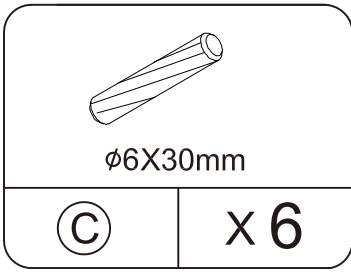
7.



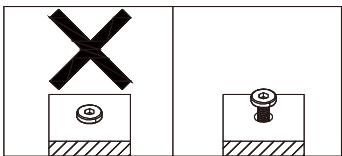
(1) Attach panel (2) to the frames assembled in the last step by inserting wooden dowel (C) and cam lock (B), and then rotate clockwise to secure cam lock (B).



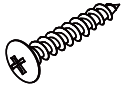
8.



Please tighten the bolts(P) to 80% first, and tighten all bolts(P) 100% after metal tube(17) is assembled in step 10.



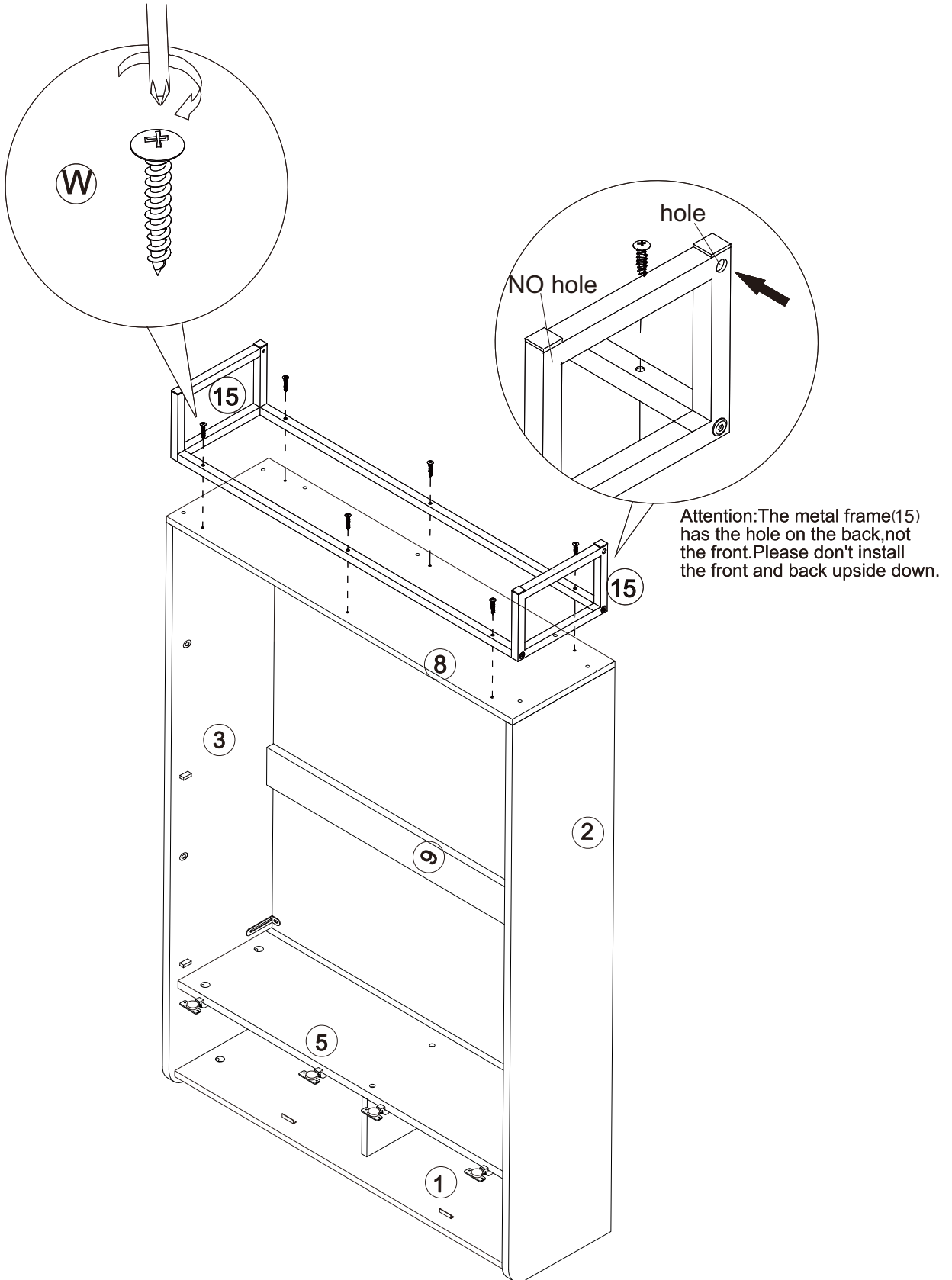
9.



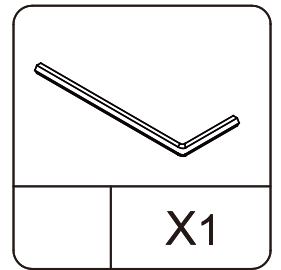
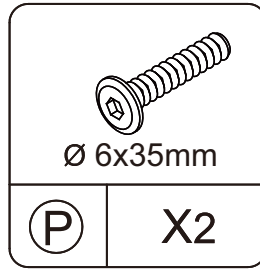
M4X25mm

(W)

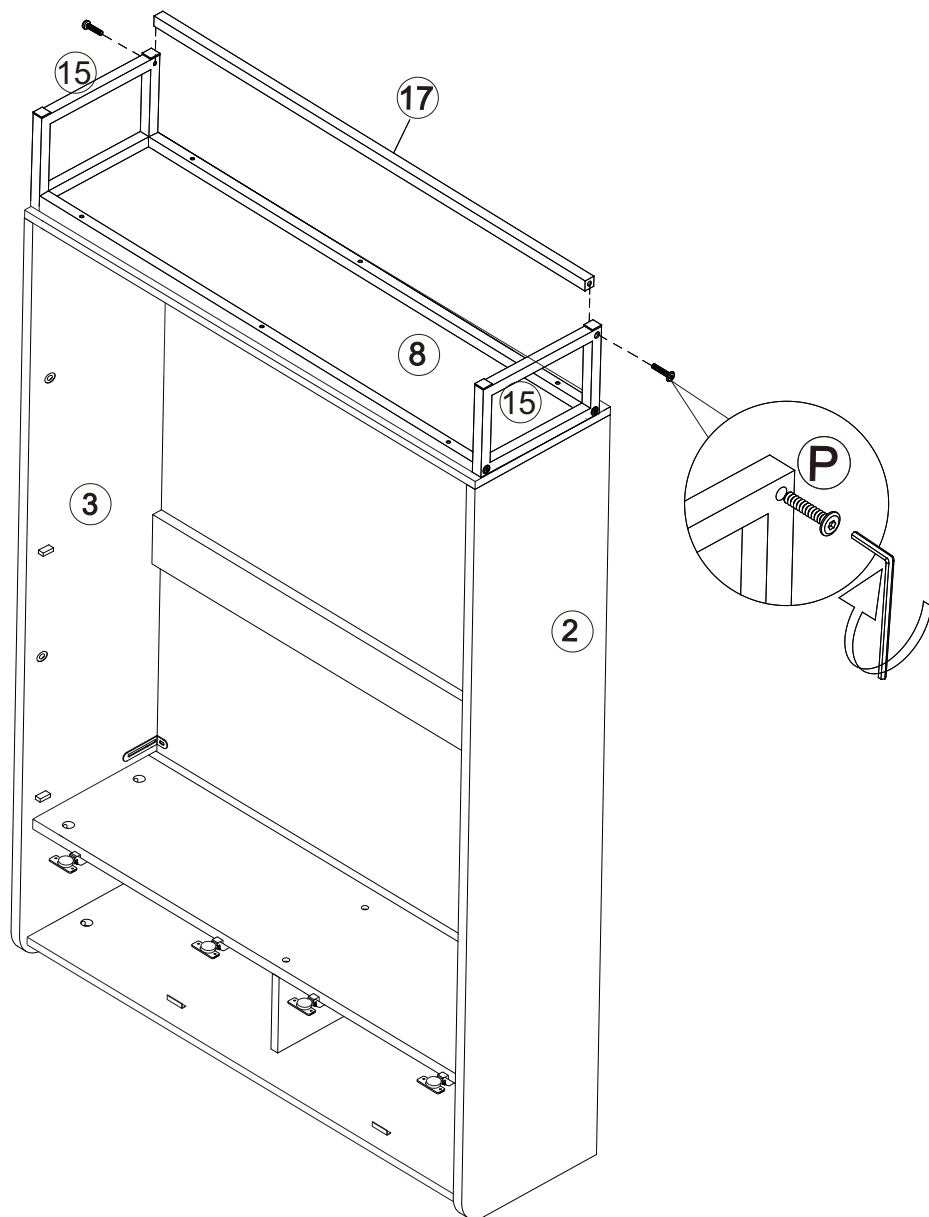
X6



10



(1) Lock metal tube(17) onto tube(15) using bolt(P) and tighten it .
Then tighten all other bolts(P) that were not tightened in step 8.



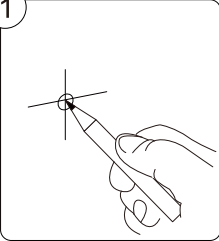
11

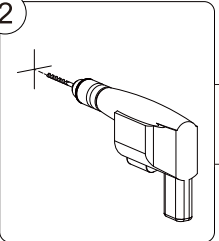
M4x40mm M6x30mm

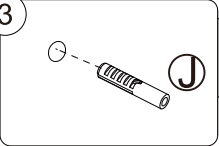
J

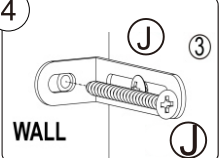
x2

The cabinet is tall and narrow, so please be permanently secured to the wall with the included anti-tip device to prevent the cabinet from tipping over.

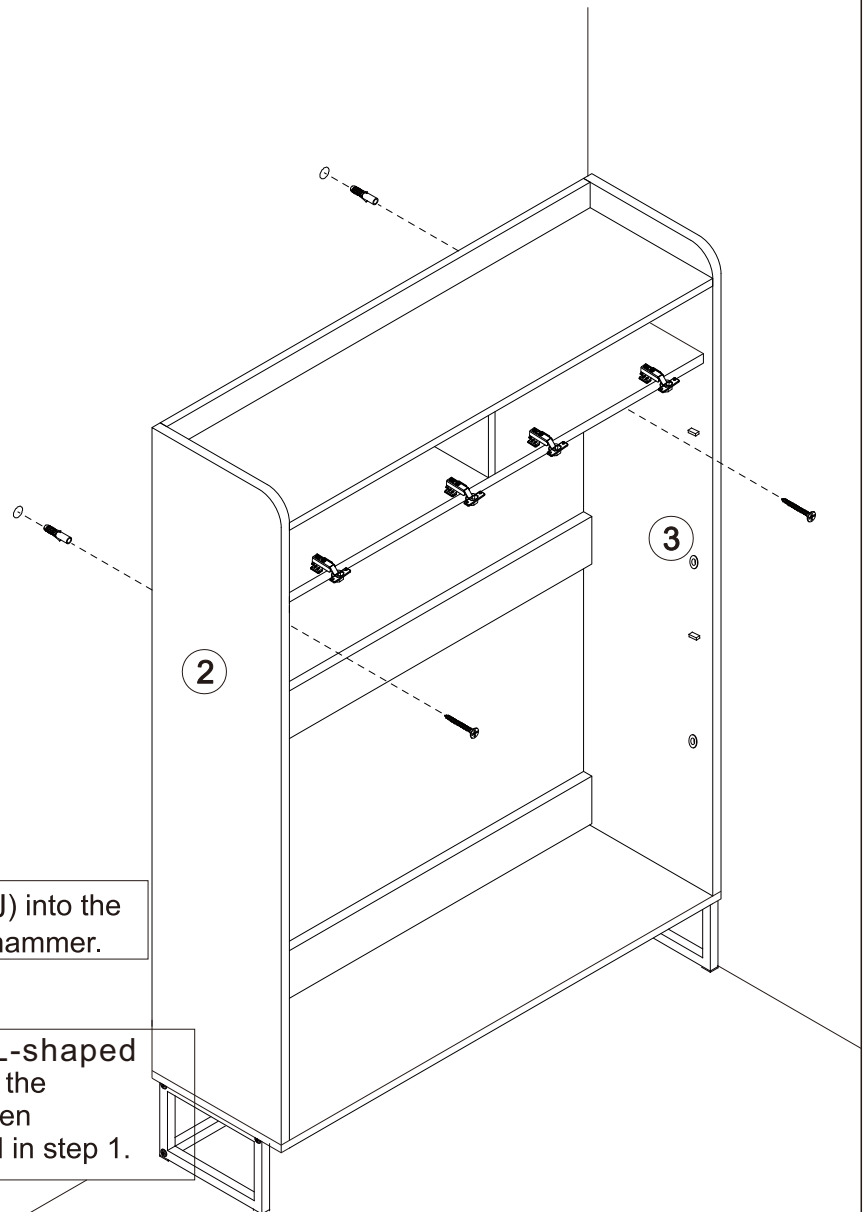
- 

1. Mark the drill position on the wall with a pencil.
- 

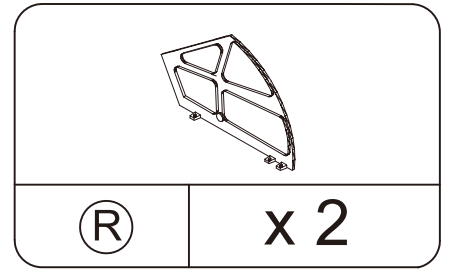
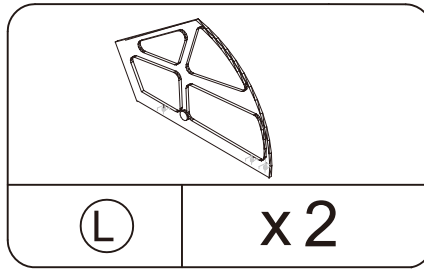
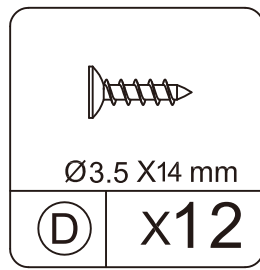
2. Drill holes on the marked position using a bit.
- 

3. Gently insert the wall anchor (J) into the drilled hole with the help of a hammer.
- 

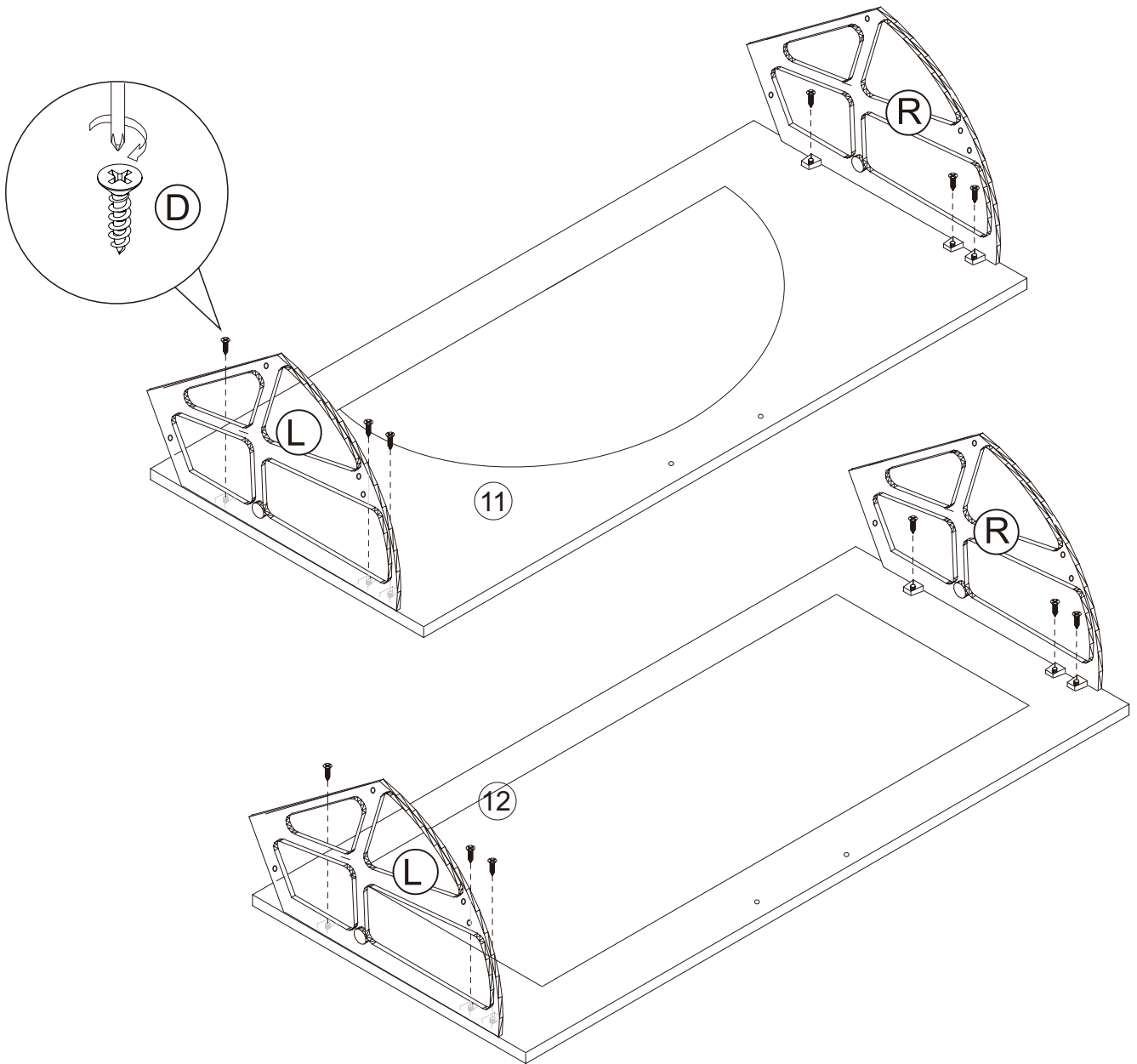
4. Adjust the position of the L-shaped plate on side panel and fix it to the wall with provided screws (J), then tighten all screws not tightened in step 1.



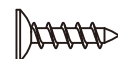
12



(1) Install the flip support(L)(R) to the door panel(11)(12) with screw(D).



13.

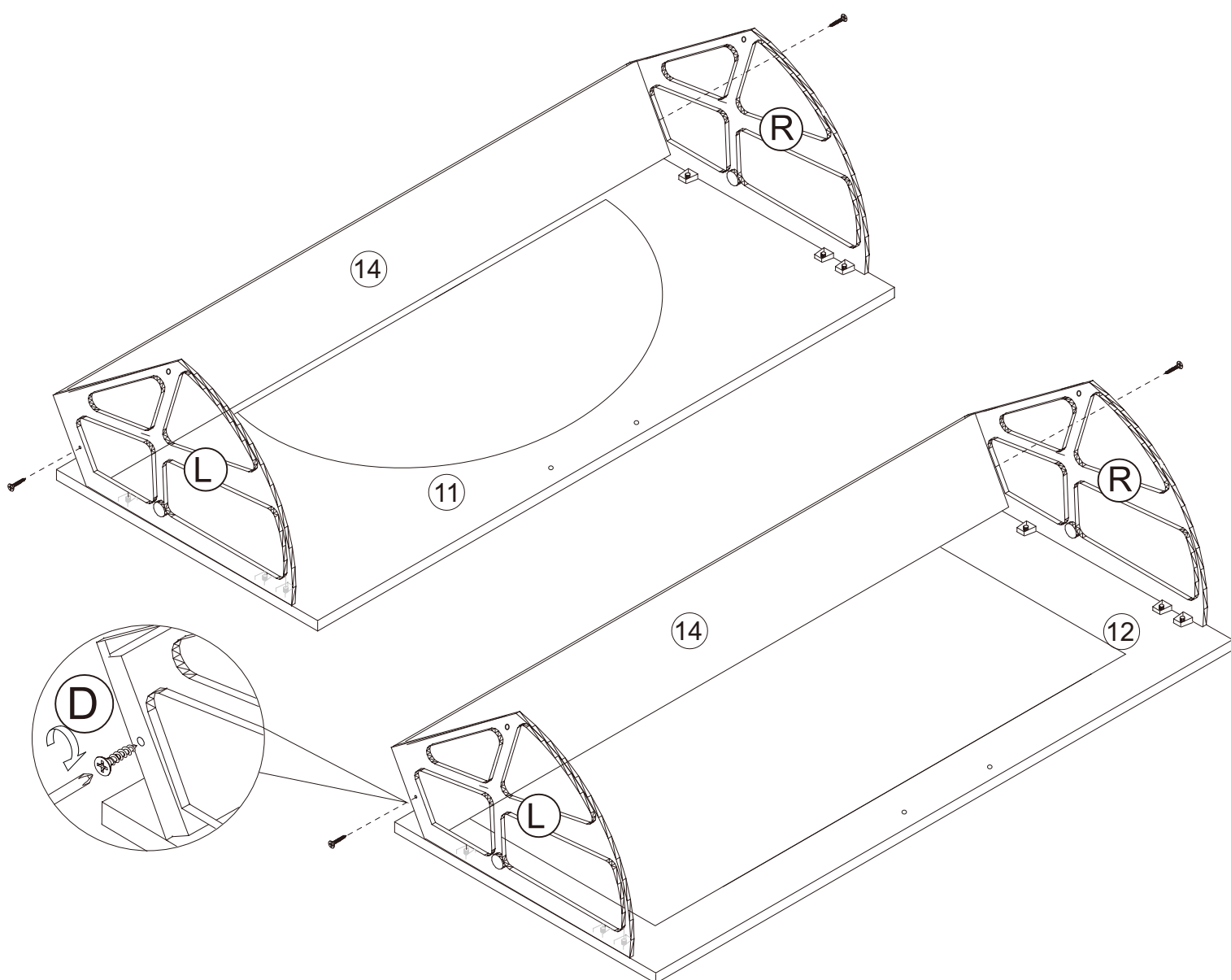


Ø3.5 X14mm

(D)

X 4

(1) Install panel(14) to the flip support(L)(R) with screw(D).





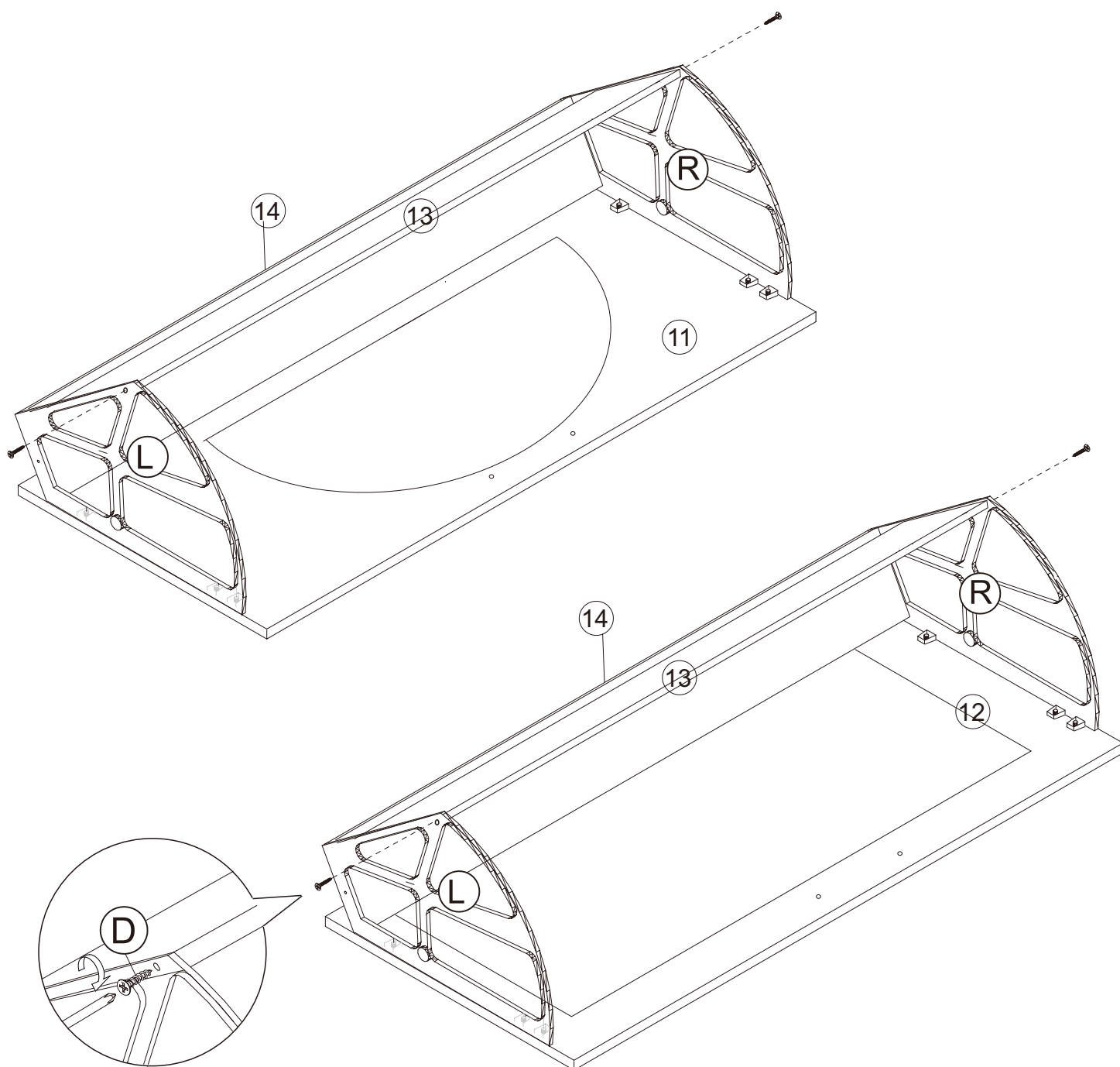
Ø3.5 X14mm

(D)

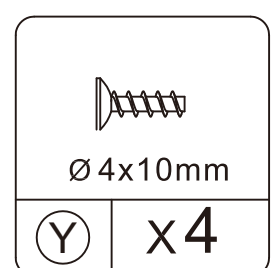
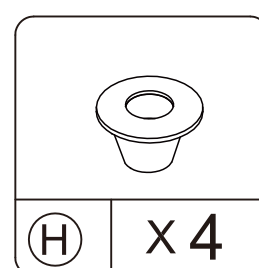
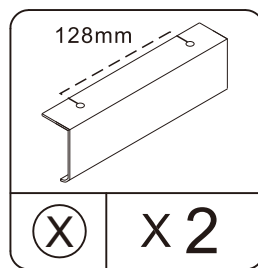
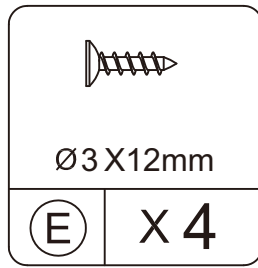
x4

14.

(1) Install panel(13) to the flip support(L)(R) with screw(D).

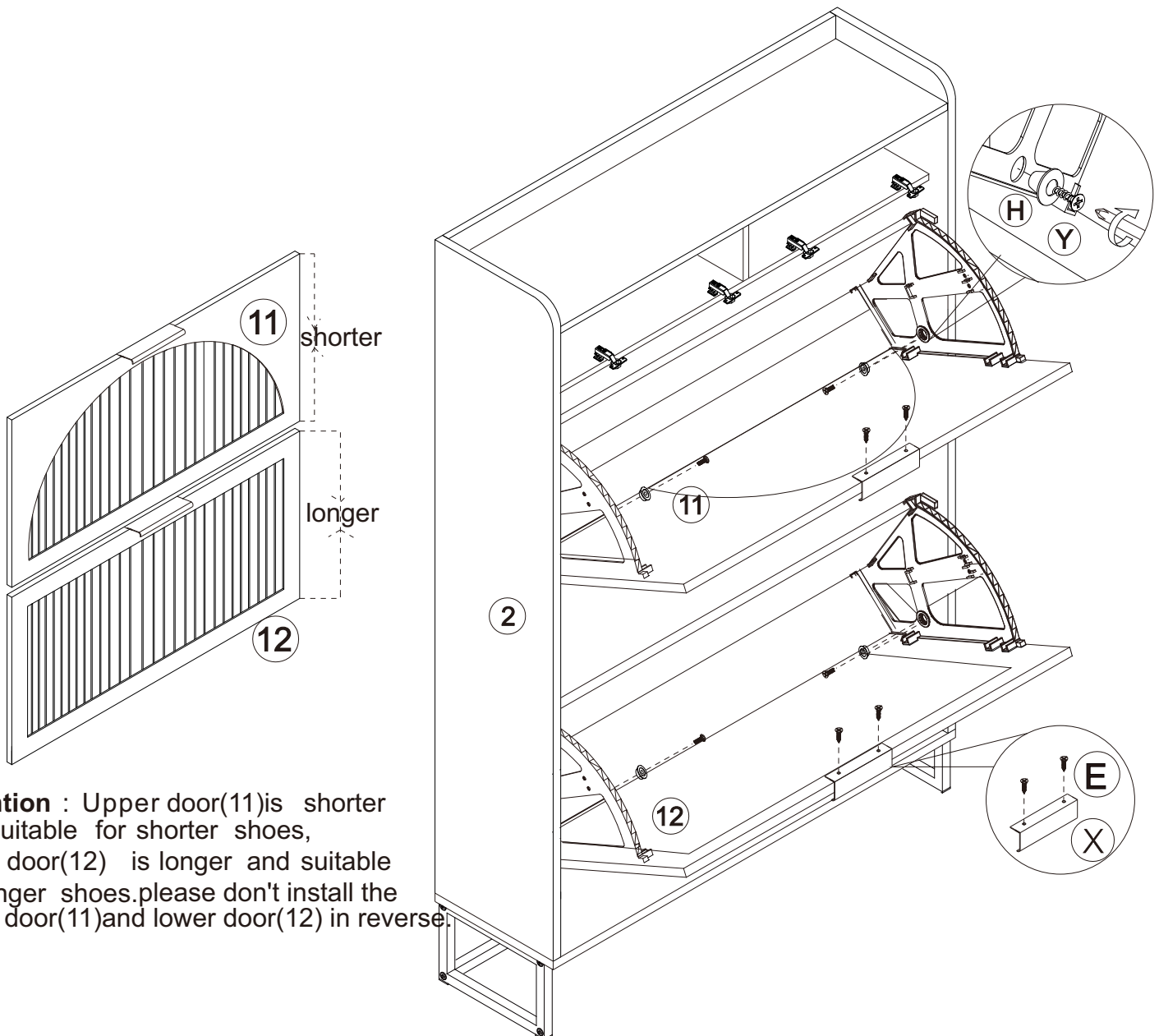


15.



(1) Install 2 flip drawers to the cabinet with plug(H) and screw(Y).

(2) Install handle(X) with screw(E).

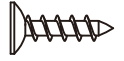


Attention : Upper door(11) is shorter and suitable for shorter shoes, lower door(12) is longer and suitable for longer shoes. please don't install the upper door(11) and lower door(12) in reverse.

Please install the upper door (11) first and then install lower door(12), so as not to push your knees against the door(12).

16.

(1) Insert panel(13) and and secure with screw(D).



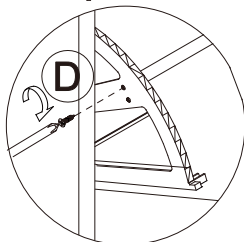
Ø3.5 X14 mm

(D)

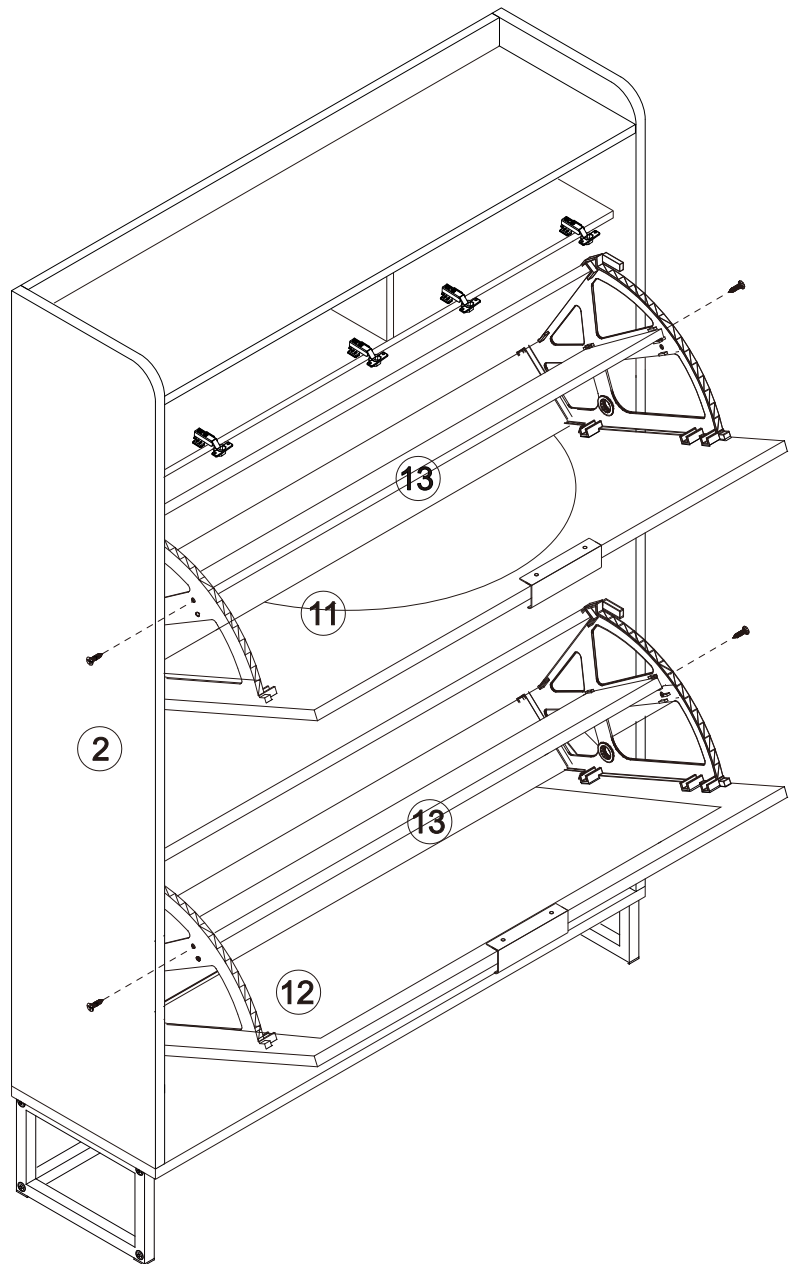
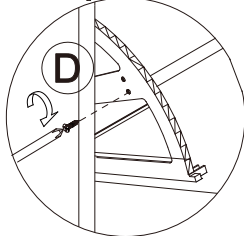
x4

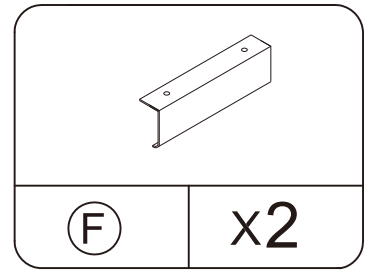
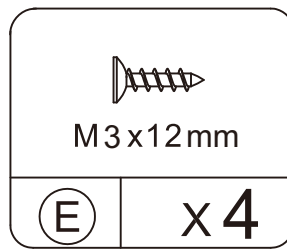
Note:you can adjust the position of panel(13) for various size of shoes

Option 1



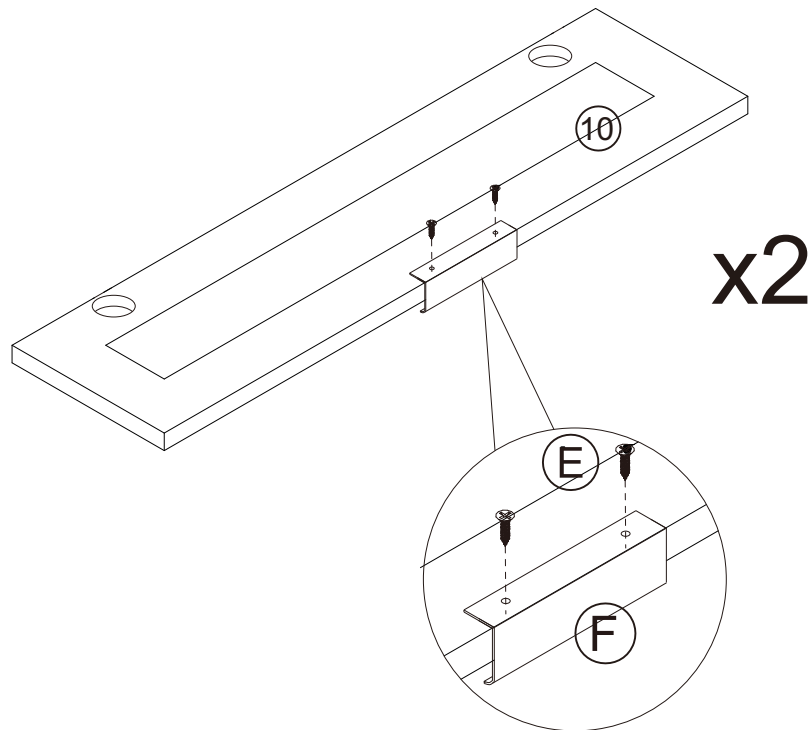
Option 2





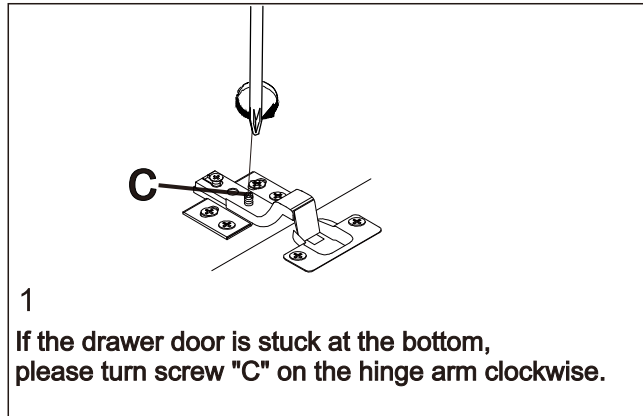
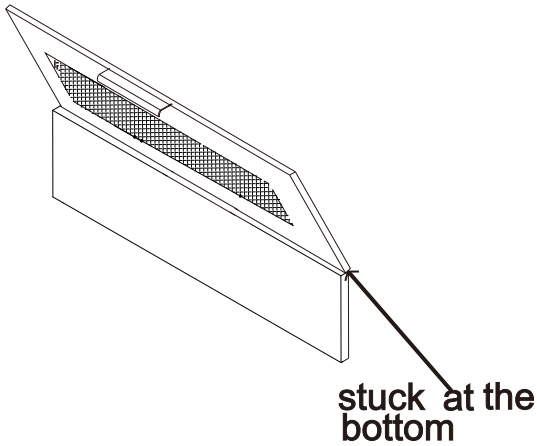
17.

(1) Install handle(F) to panel(10) with screw(E).

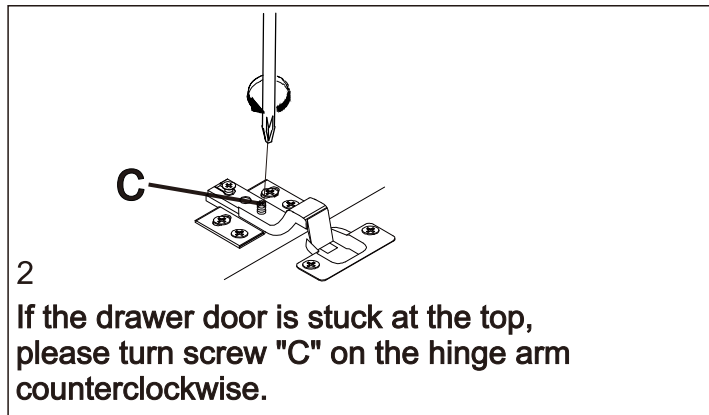
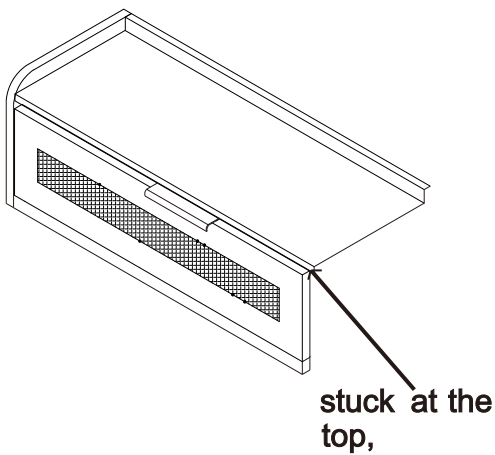


You will use the hinge instructions below in the next step.

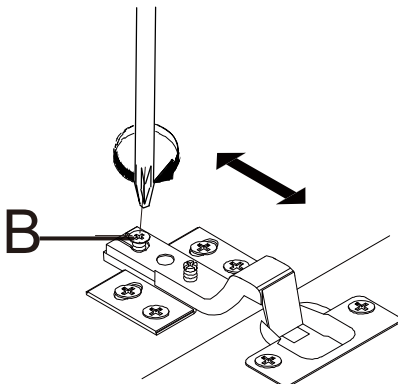
(1)



(2)



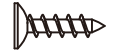
(3)



3

If the drawer door is recessed or protruding, adjust the door in and out by loosening screw "B" on the hinge arm, move the drawer door to the appropriate position and tighten screw "B".

18.



M3.5x12mm

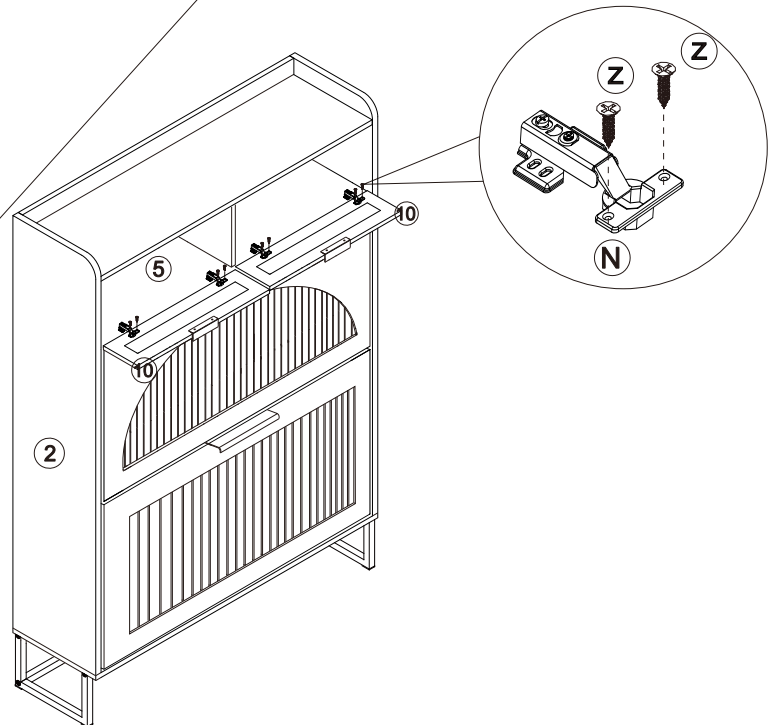
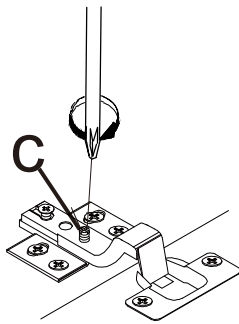
(Z)

X 8

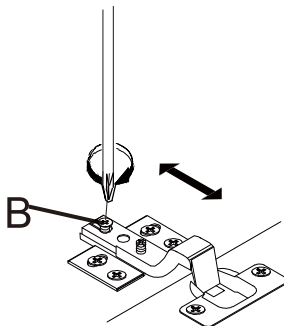
(1) Please install the door panel (10)x2 to the cabinet with hinges.



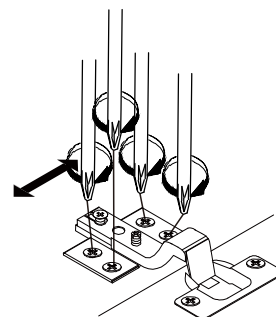
1:
If the drawer door is stuck at the bottom or top,
turn screw "C" on the hinge arm clockwise or
counterclockwise respectively.



2:
If the drawer door is recessed or protruding,
adjust the door in and out by loosening
screw "B" on the hinge arm .
move the drawer door to the appropriate
position and tighten screw "B".



3:
If there is a large gap on the
left or right of the door,
please adjust the hinges by loosening
the screws on the mounting plate.



WARNING



Children have died from furniture tipover. To reduce the risk of furniture tipover:

- ALWAYS install tipover restraint provided.
 - NEVER put a TV on this product.
 - NEVER allow children to stand, climb or hang on drawers, doors, or shelves.
 - NEVER open more than one drawer at a time.
 - Place heaviest items in the lowest drawers.
 - Do not defeat or remove the drawer interlock system.
- This is a permanent label.
Do not remove!

ATTENTION



Des enfants sont morts du basculement des meubles. Pour réduire le risque de basculement des meubles:

- TOUJOURS installer la retenue de basculement fournie.
 - NE JAMAIS mettre de téléviseur sur ce produit.
 - NE JAMAIS permettre aux enfants de se tenir debout, de grimper ou de s'accrocher à des tiroirs, des portes ou des étagères.
 - N'ouvrez JAMAIS plus d'un tiroir à la fois.
 - Placez les objets les plus lourds dans les tiroirs les plus bas.
 - Ne désactivez pas et ne retirez pas le système de verrouillage du tiroir.
- Ceci est une étiquette permanente.
Ne pas enlever!

WARNUNG



Kinder sind an einem Möbelkipp gestorben. So verringern Sie das Risiko eines Umkippens von Möbeln:

- Installieren Sie IMMER die mitgelieferte Kipprückhaltevorrichtung.
 - Stellen Sie NIEMALS einen Fernseher an dieses Produkt.
 - Lassen Sie Kinder NIEMALS an Schubladen, Türen oder Regalen stehen klettern oder hängen.
 - Öffnen Sie NIEMALS mehr als eine Schublade gleichzeitig.
 - Legen Sie schwerste Gegenstände in die untersten Schubladen.
 - Besiegen oder entfernen Sie das Schubladenverriegelungssystem nicht.
- Dies ist ein dauerhaftes Etikett.
Nicht entfernen!