

NOTICE

- *Please make sure that you have all parts indicated and they are in good condition before you begin assembly of this item. Refer to part list and hardware list below for guidance.
- *This item should be assembled on a soft surface to prevent scratching the finish during assembly.
- *This item may require periodic tightening.


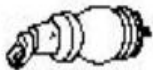

PREPARATION

- *Before beginning assembly of product, make sure all parts are present. Compare parts with part contents list and hardware contents list.
- *If any part is missing or damaged, do not attempt to assemble the product.
- *Estimated Assembly Time: 10 minutes.

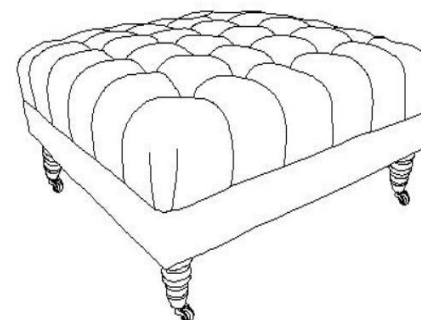
CARE AND MAINTENANCE

- Spot clean using a mild water-free solvent. Only a professional cleaner should undertake a complete overall cleaning.
- The use of steam or water-based cleaners may cause excessive shrinking or staining.

Parts List and Hardware List

PIECE	DESCRIPTION	PICTURE	QUANTITY
A	Seat		1X
B	Leg		4X
/	Plastic washer		4X

Product Dimensions: 34.84" W x34.84" D x 16.54" H



Weight Capacity: 275 lbs

WARNING: DO NOT STAND ON OTTOMAN
WARNING: DO NOT OVER TORQUE BOLTS

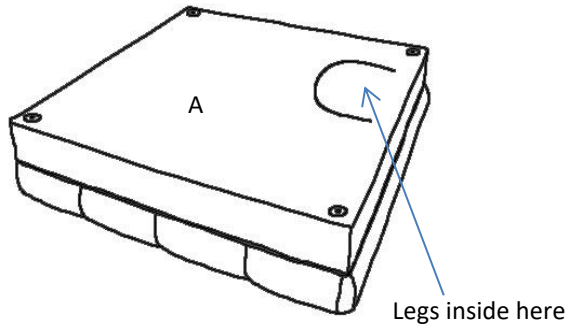
PREPARATION

*Before beginning assembly of product, make sure all parts are present. Compare parts with part contents list and hardware contents list.

*If any part is missing or damaged, do not attempt to assemble the product.

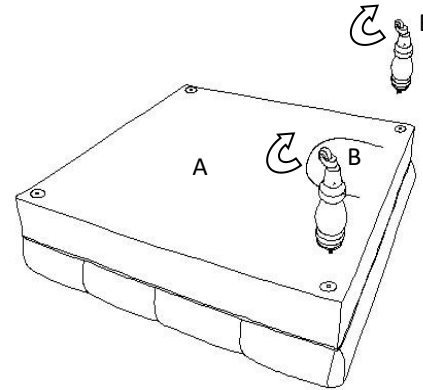
*Estimated Assembly Time: 10 minutes.

1



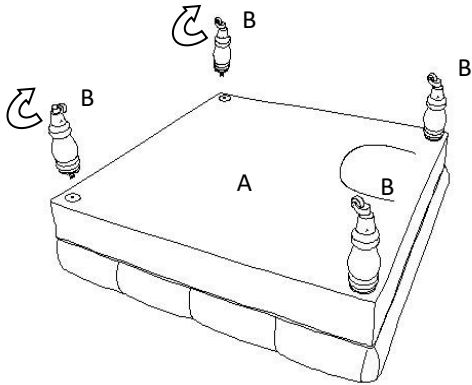
STEP 1: OPEN THE ZIPPER ON THE BOTTOM OF THE SEAT AND TAKE OUT LEGS.

2



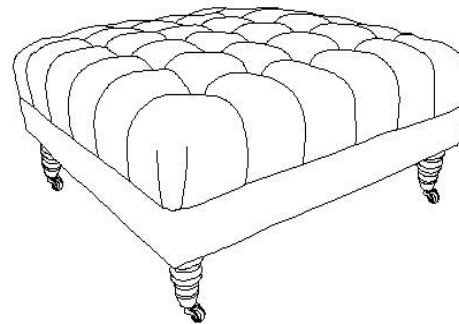
STEP 2: INSERT THE LEGS AND SCREW THE LEGS BUT DON'T TIGHTEN COMPLETELY. REPEAT THE SAME STEPS FOR THE OTHER TWO LEGS.

3



STEP 3: CLOSE THE ZIPPER ON THE BOTTOM OF THE SEAT, THEN TIGHTEN THE LEGS.

4



STEP 4: PUT THE OTTOMAN UPRIGHT AND MAKE SURE ALL LEGS ARE LEVEL, IF THE OTTOMAN SLIGHT WOBBLE, YOU CAN ADJUST THE LEGS BY ADDING PLASTIC WASHER AFTER ROTATING.