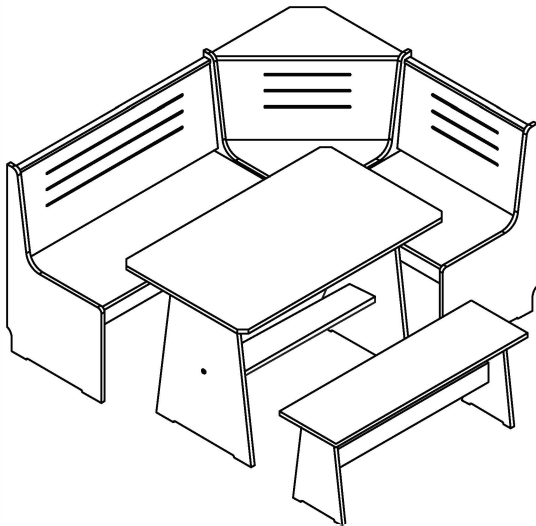


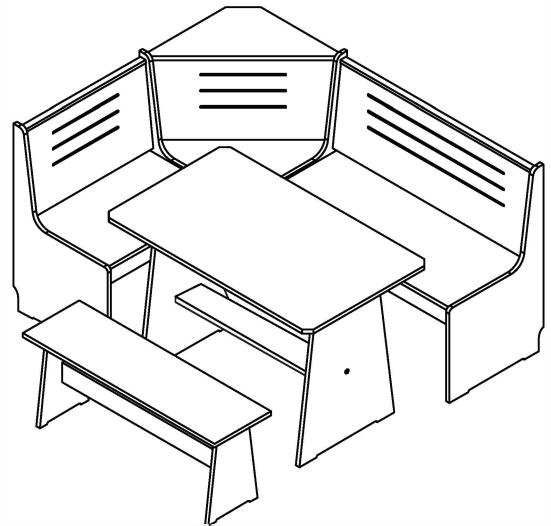
ASSEMBLY INSTRUCTIONS

Solid Wood Corner Dining Set

Avoid using sharp objects such as a knife to cut open packing as you may accidentally damage the item.



LEFT SIDE INSTALLATION



RIGHT SIDE INSTALLATION

SELECT THE LAYOUT OF THE BENCH

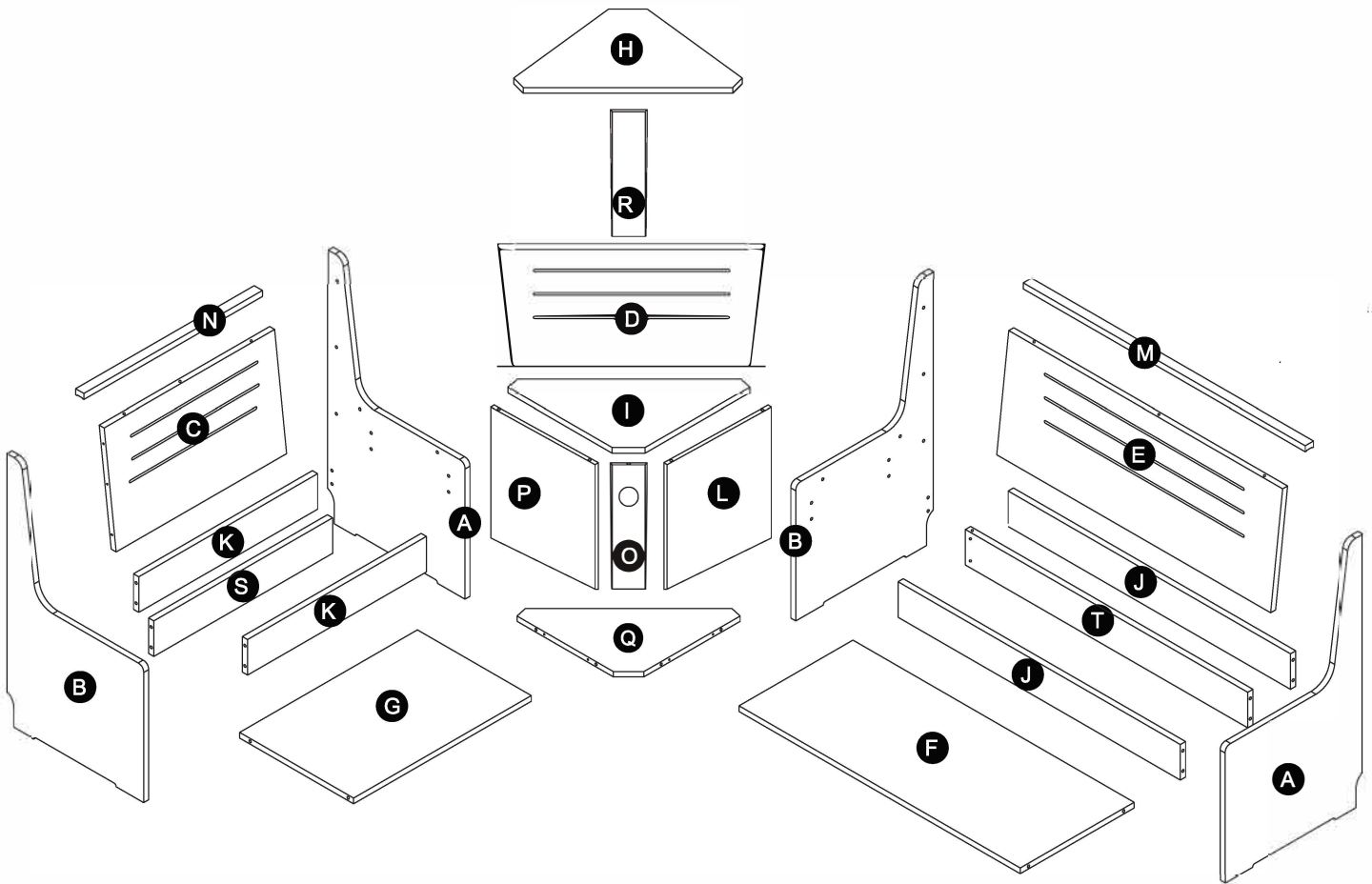
THIS ITEM IS REVERSIBLE AND CAN BE INSTALLED EITHER WITH THE LARGE BENCH AT YOUR LEFT HAND SIDE (LEFT SIDE INSTALLATION) OR WITH THE LARGE BENCH AT YOUR RIGHT HAND SIDE (RIGHT SIDE INSTALLATION).

NOTE: BEFORE STARTING THE ASSEMBLY PROCESS, ALL PARTS SHOULD BE SEPARATED ACCORDING TO THE ITEM THEY BELONG TO. FOR BETTER IDENTIFICATION OF ALL PARTS, PLEASE USE PART IDENTIFICATION LIST ON PAGE 2-3 FOR THE CORNER BENCH; THE PART IDENTIFICATION LIST ON PAGE 11 FOR THE TABLE; AND ON PAGE 14 FOR THE BENCH.

ASSEMBLY INSTRUCTIONS

Solid Wood Corner Dining Set

Avoid using sharp objects such as a knife to cut open packing as you may accidentally damage the item.



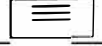









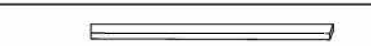





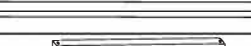





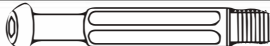
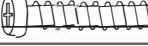
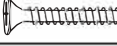
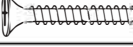


RIGHT SIDE INSTALLATION CORNER BENCH

ASSEMBLY INSTRUCTIONS

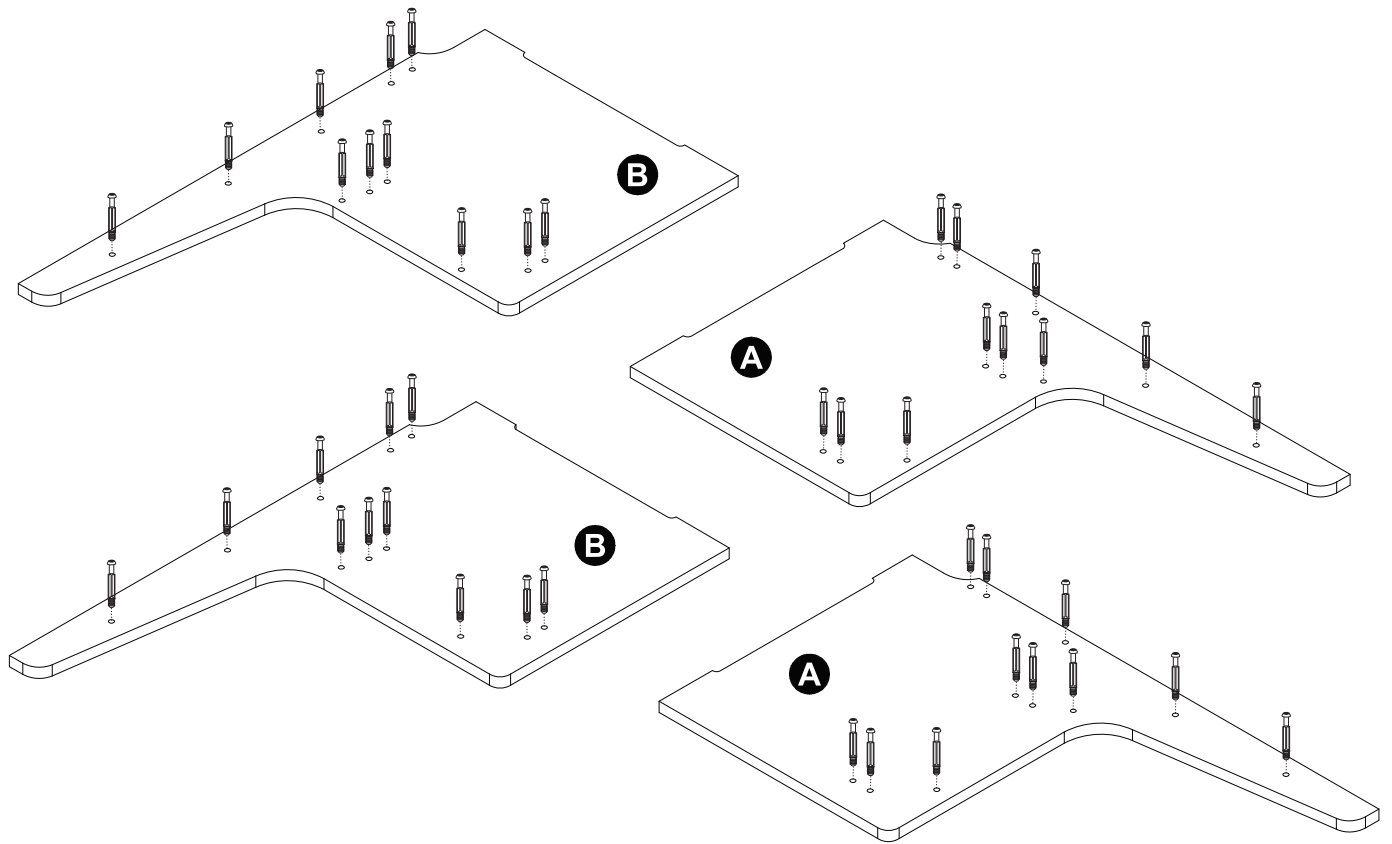
Solid Wood Corner Dining Set

Avoid using sharp objects such as a knife to cut open packing as you may accidentally damage the item.

PARTS LIST				
ITEM	DESCRIPTION	SKETCH		QUANTITY
A	Right side leg		85X50.5cm	2x
B	Left side leg		85X50.5cm	2x
C	Narrow back rest panel		57X53cm	1x
D	Corner back rest panel		75X42cm	1x
E	Wide back rest panel		89X53cm	1x
F	Wide seat		88.5X43.5cm	1x
G	Narrow seat		57X43cm	1x
H	Corner top		75X41cm	1x
I	Corner seat		74.5X32cm	1x
J	Wide cross rail		89X11cm	2x
K	Narrow cross rail		57X11cm	2x
L	Right support plate of corner chair		40X42.5cm	1x
M	Wide top rail		89X5cm	1x
N	Narrow top rail		57X5cm	1x
O	Back supports		40X11cm	1x
O1	USB		6X190cm	1x
P	Left support plate of corner chair		40X42.5cm	1x
Q	Bottom plate of corner chair		69.5X30cm	1x
R	Rear support plate of corner chair		57.5X7.5cm	1x
R1	Rear support plate of corner chair		97X7cm	1x
S	Support plate under single chair		57X8.5cm	1x
T	Support plate under double chair		89X8.5cm	1x

HARDWARE LIST				
ITEM	DESCRIPTION	SKETCH		QUANTITY
HW1	Screw:38mm			63x
HW2	Screw:50mm			2x
HW3	Screw:30mm			4x
HW4	Screw:40mm			4x
HW5	Nut:13mm			63x
HW6	Allen Key			1x

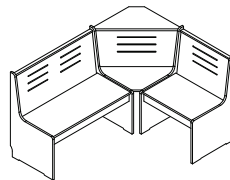
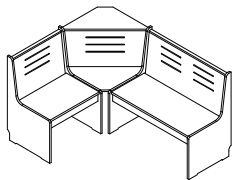
STEP 1: Inserting the bolt into the pre-marked positions.



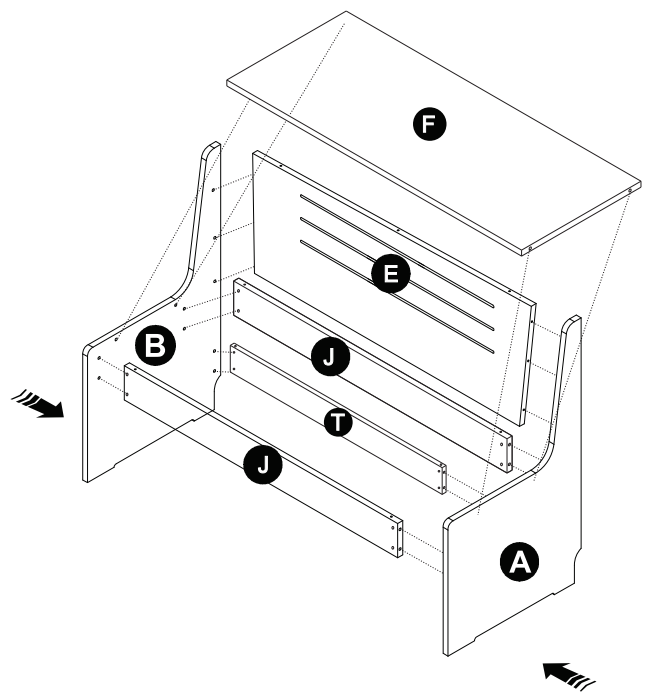
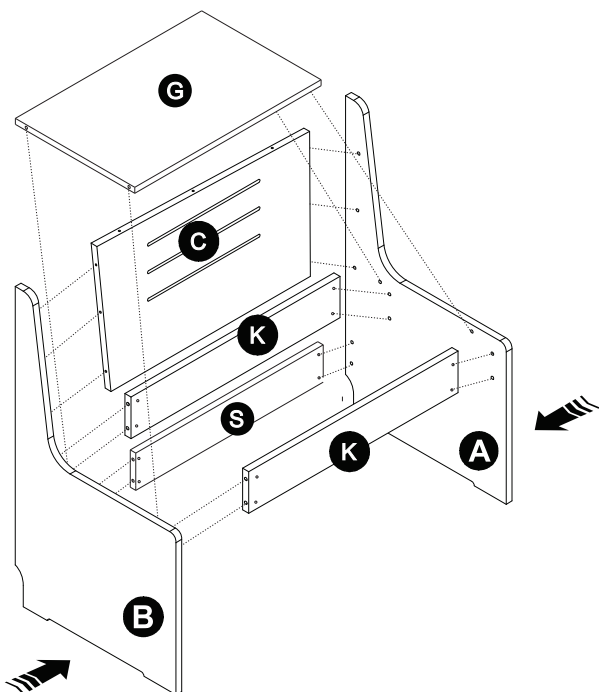
HW1x44

STEP 2: Attach the sides to the back panel and cross rails.

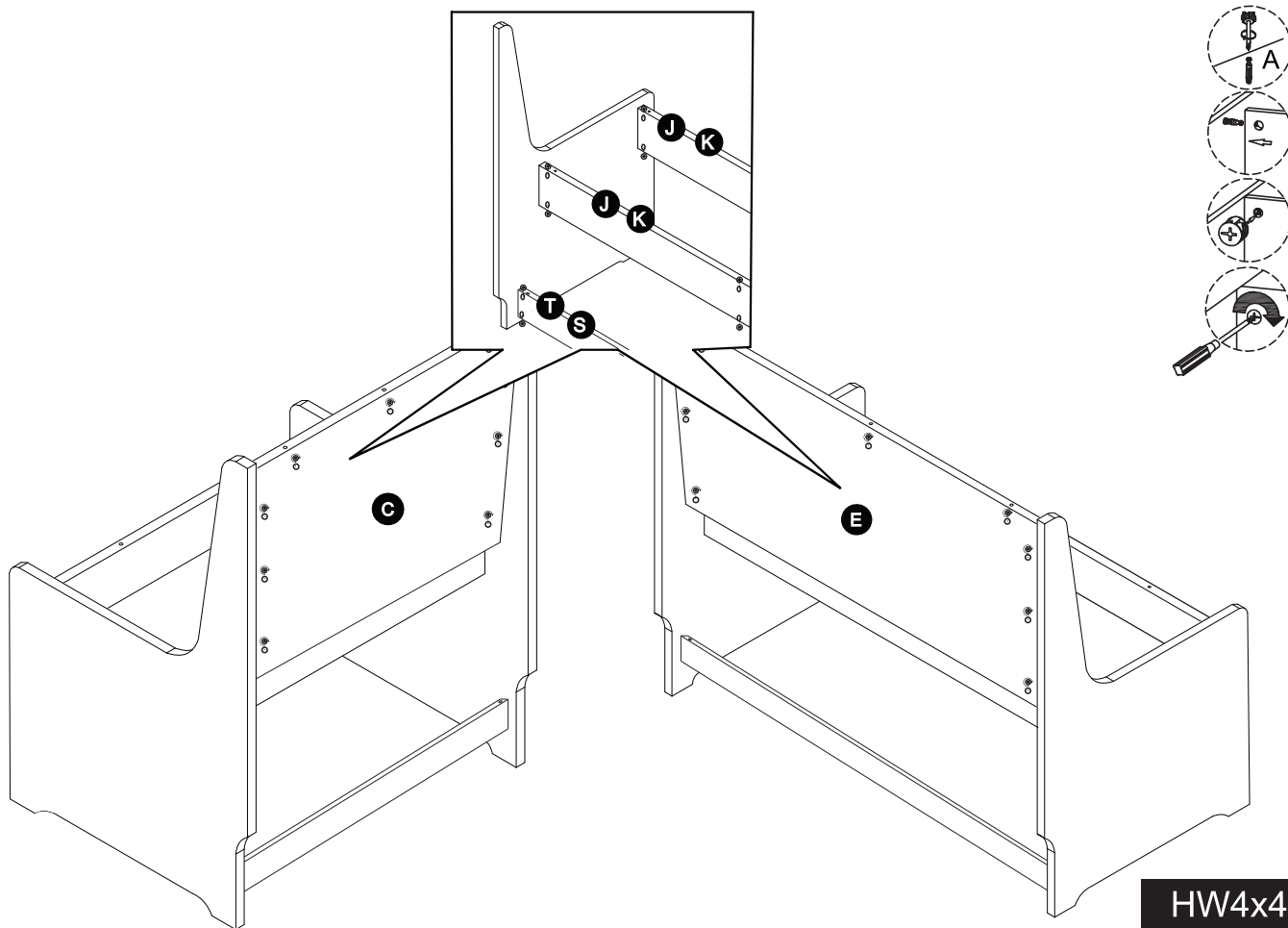
RIGHT SIDE INSTALLATION



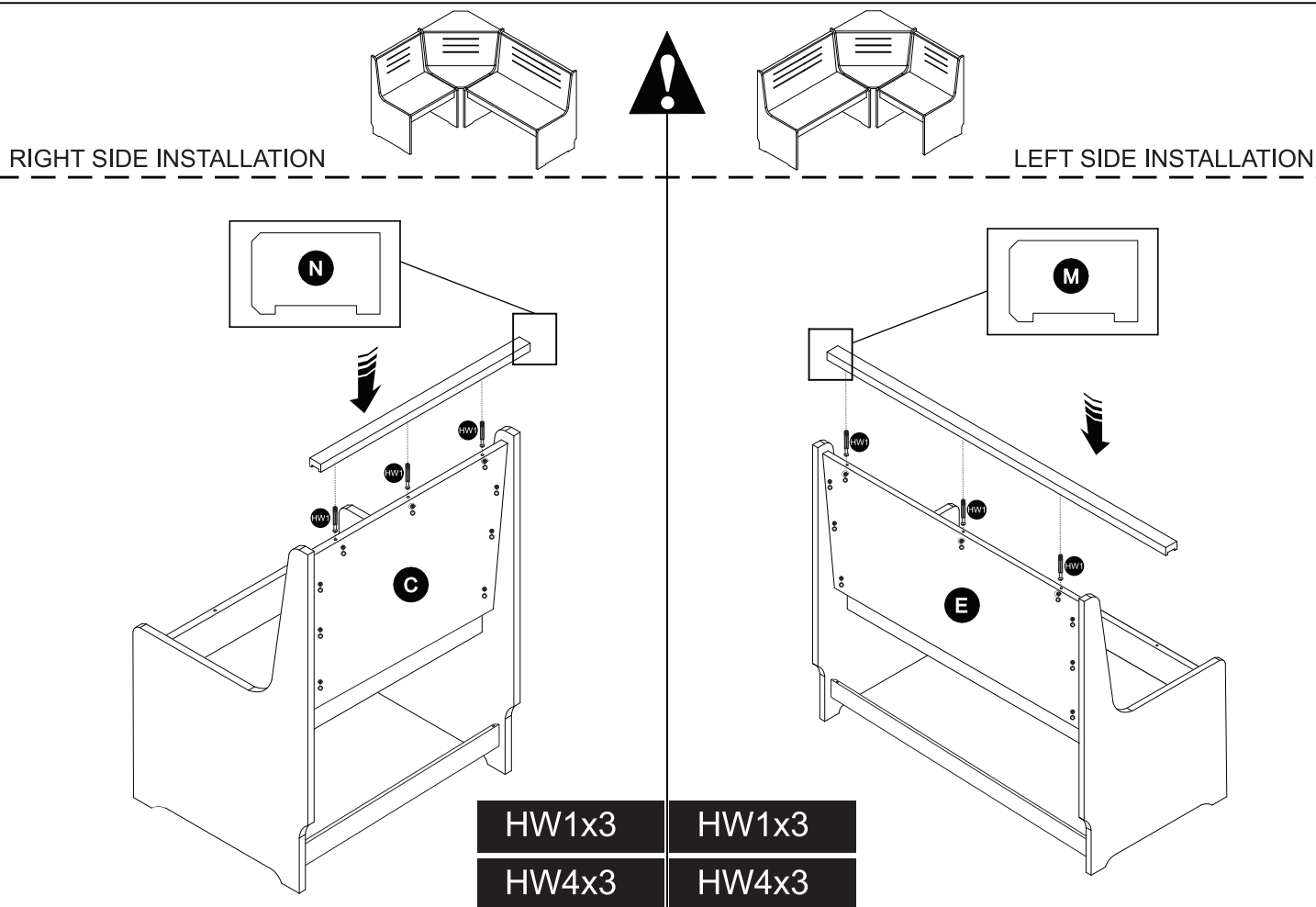
LEFT SIDE INSTALLATION



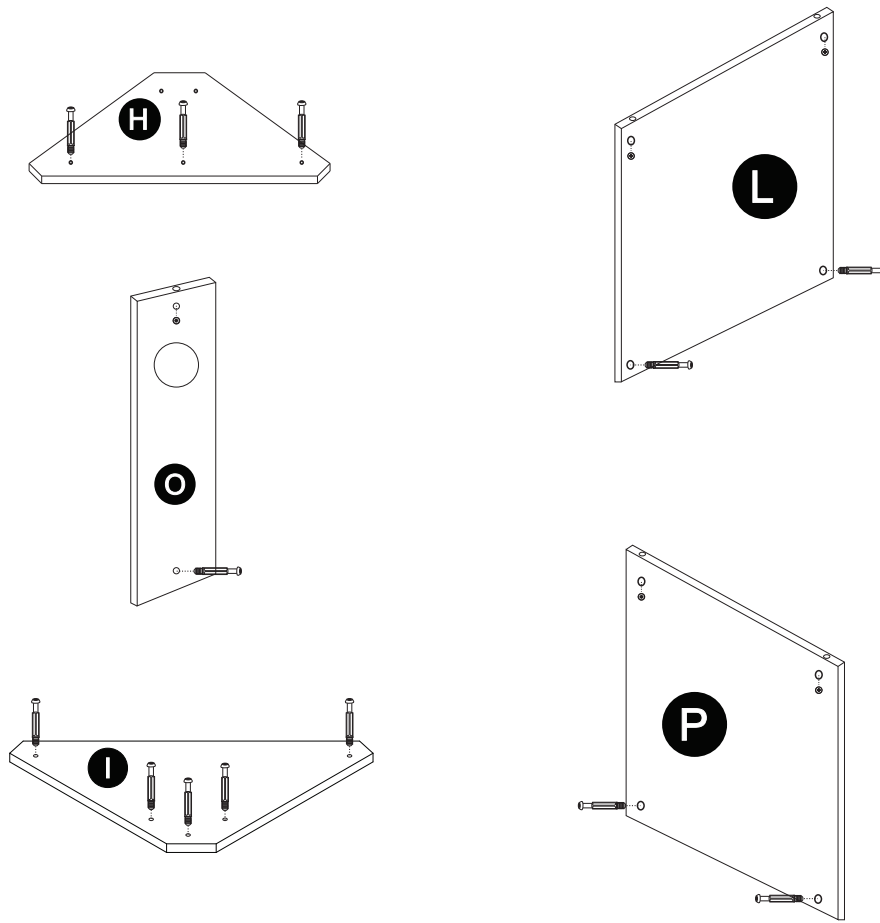
STEP 3: Install the screw nut and tighten to complete the connection.



STEP 4: Attach the two top panels using bolts and nuts.

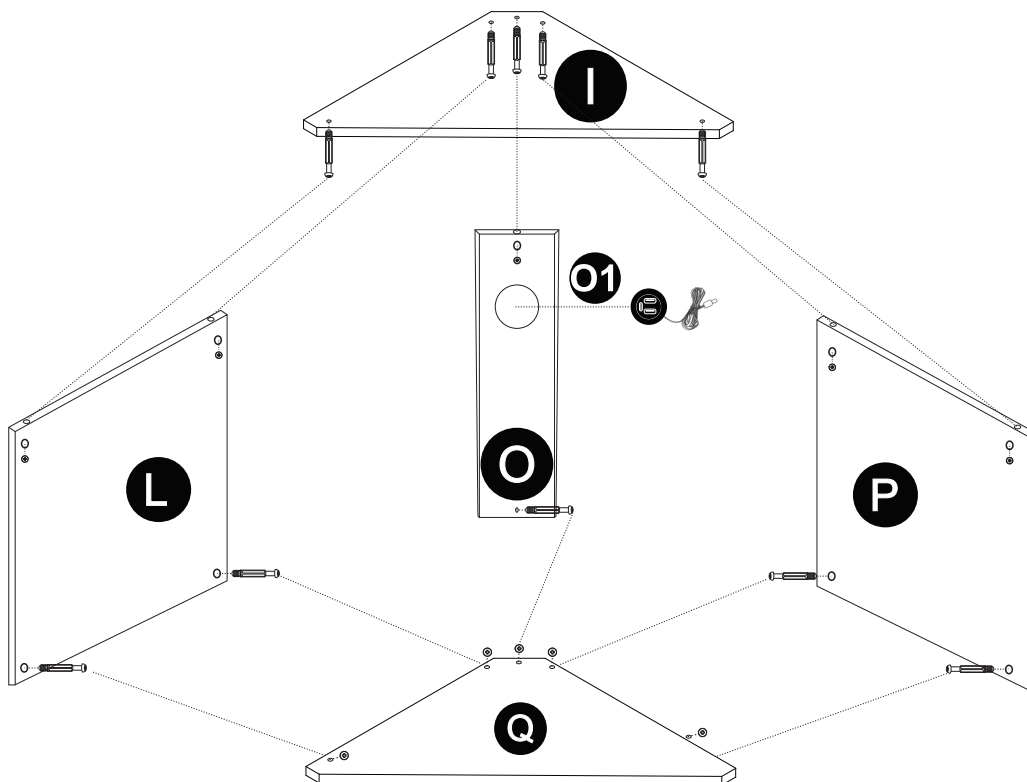


STEP 5: Inserting the bolt into the pre-marked positions.



HW1x13

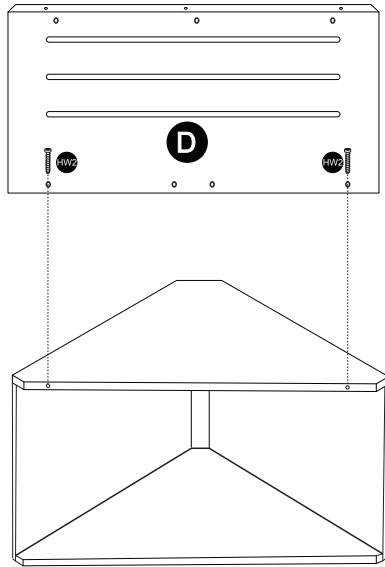
STEP 6: Install the screw nut and tighten to complete the connection.



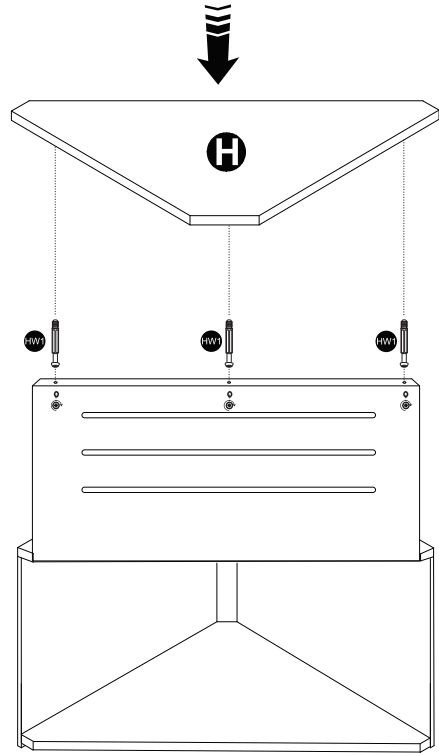
HW4x10

O1x1

STEP 7: Attach the top rails and put the corner backrest on using screws.

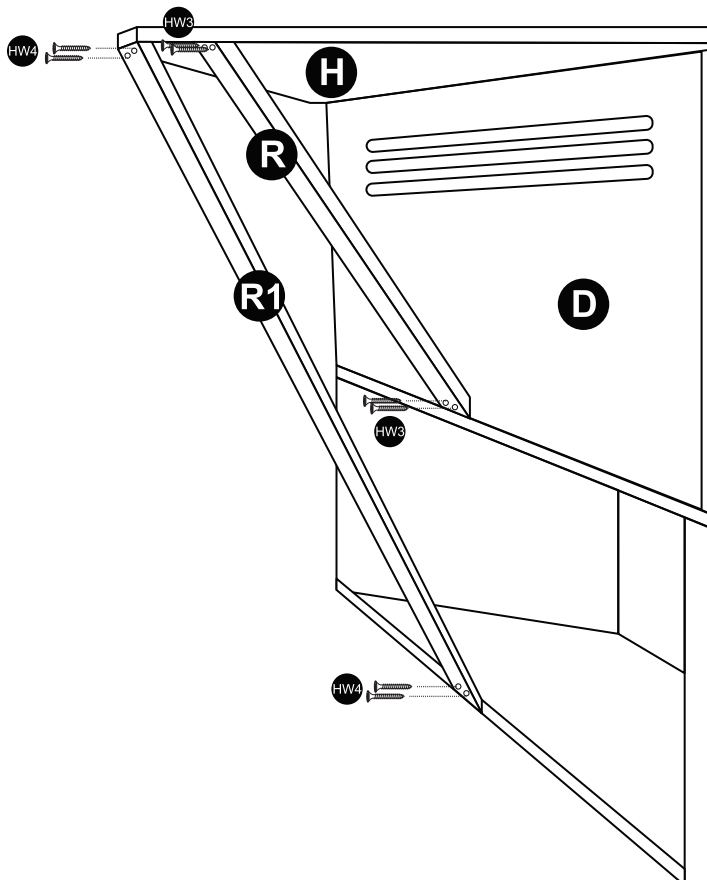


HW2x2



HW4x3

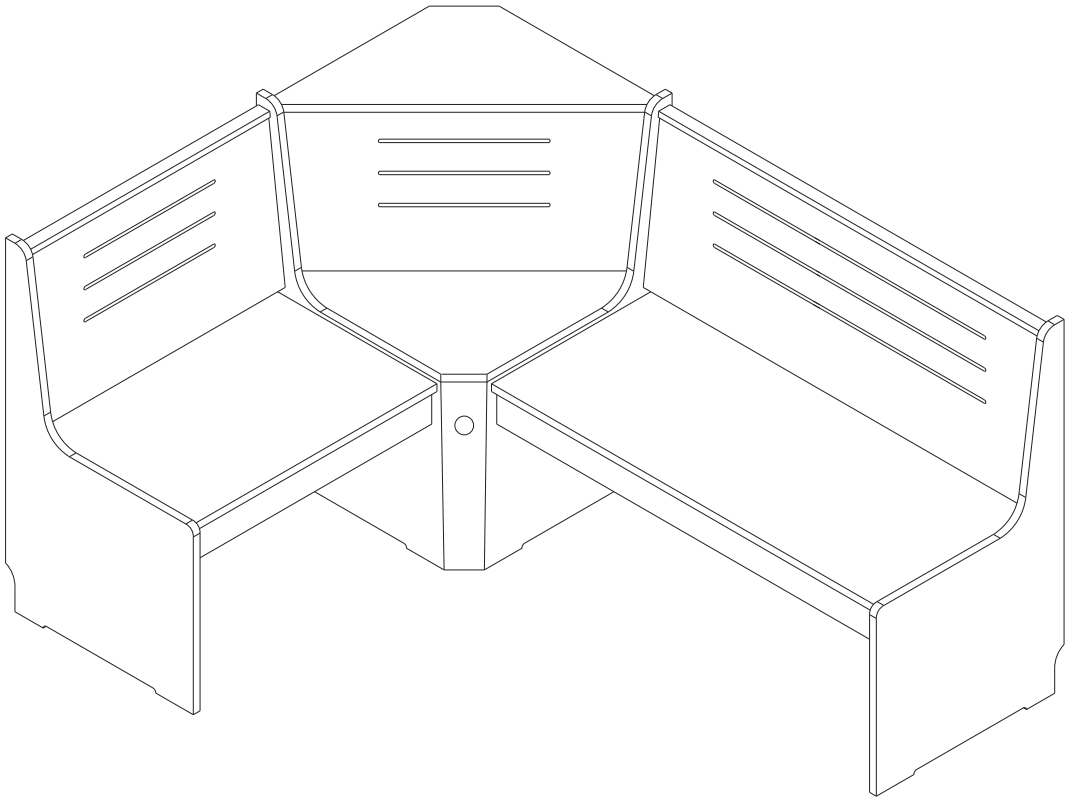
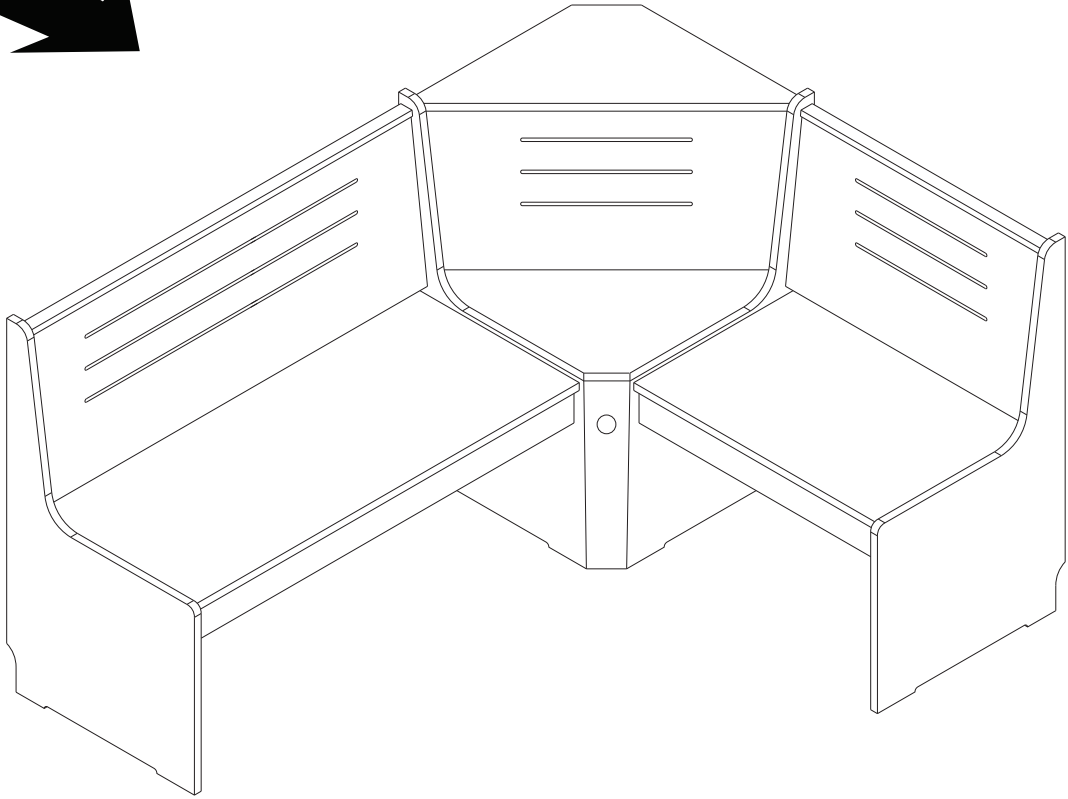
STEP 8: Attach the support panels using the screws.



HW3x4

HW4x4

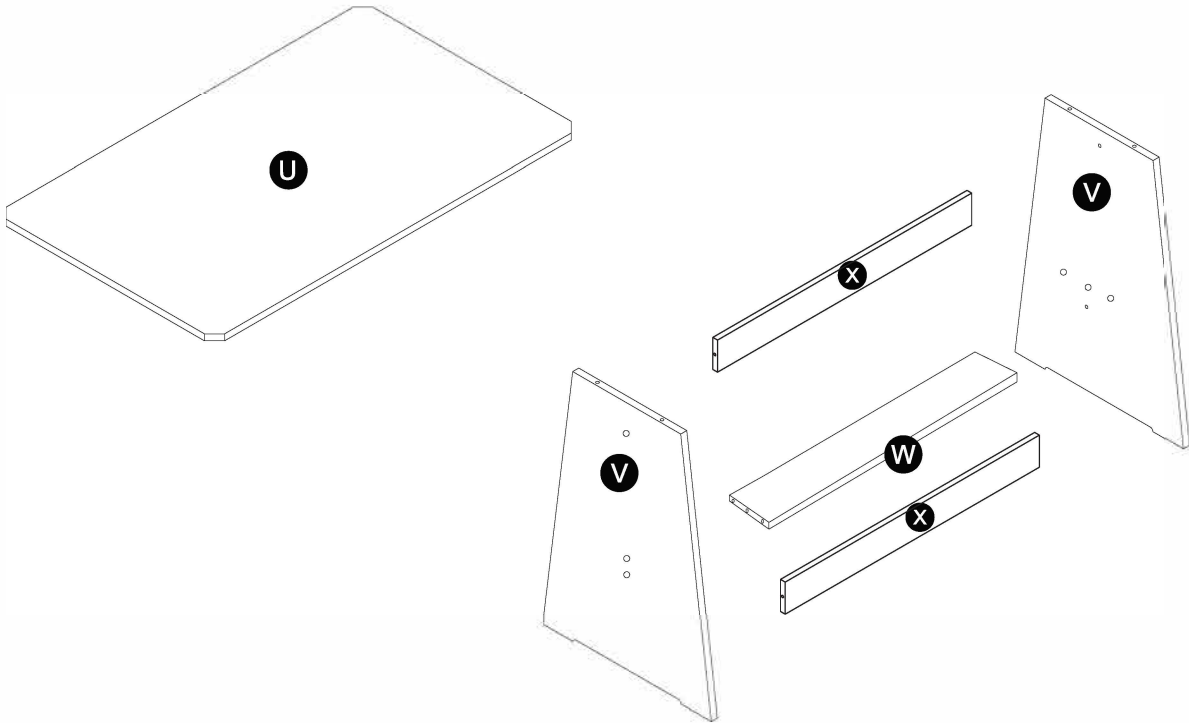
STEP 9: Combine three parts according to your needs.



ASSEMBLY INSTRUCTIONS




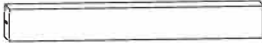
Solid Wood Corner Dining Set

Avoid using sharp objects such as a knife to cut open packing as you may accidentally damage the item.







TABLE

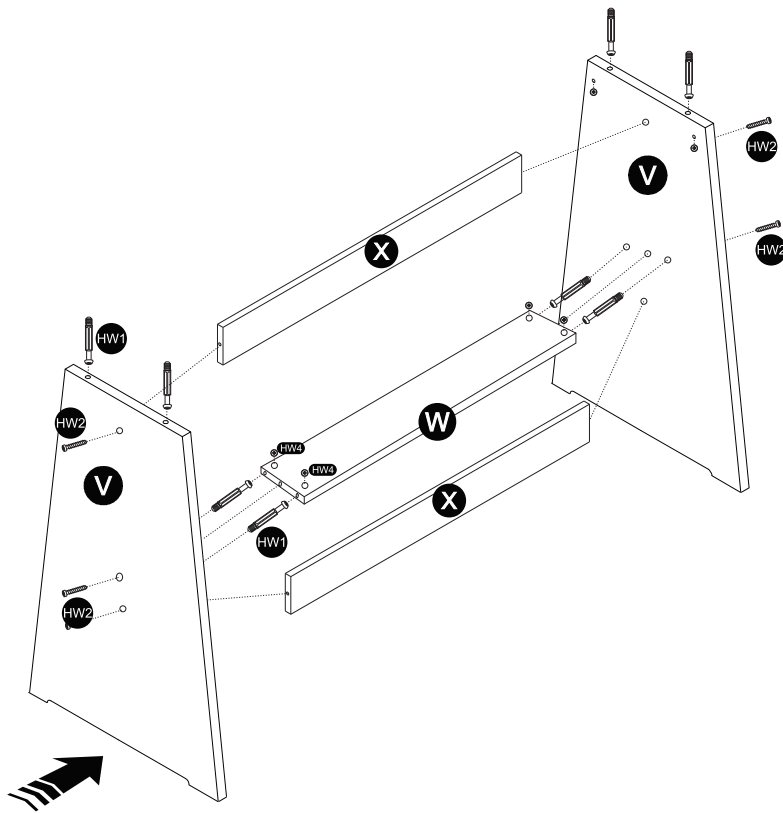
PARTS LIST

ITEM	DESCRIPTION	SKETCH	QUANTITY
U	Table top	 100.5X60.5cm	1x
V	Table legs	 76X38cm	2x
W	Table Crossbar	 76X20cm	1x
X		 76X8cm	2x

HARDWARE LIST

ITEM	DESCRIPTION	SKETCH	QUANTITY
HW1	Screw:38mm		8x
HW2	Screw:50mm		6x
HW4	Nut:13mm		8x
HW5	Allen Key		1x

STEP 1: Attach the table legs to the table crossbar.

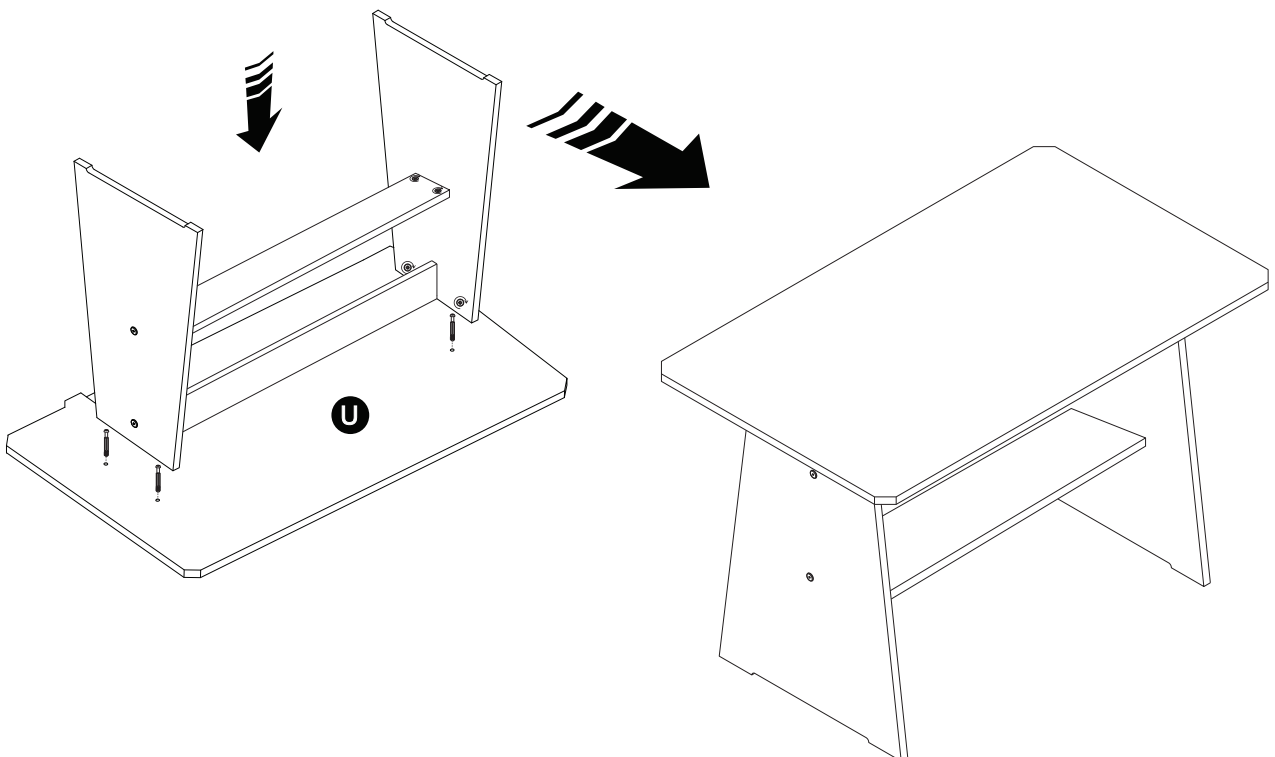


HW1x8

HW2x6

HW4x4

STEP 2: Attach the table top using screws.

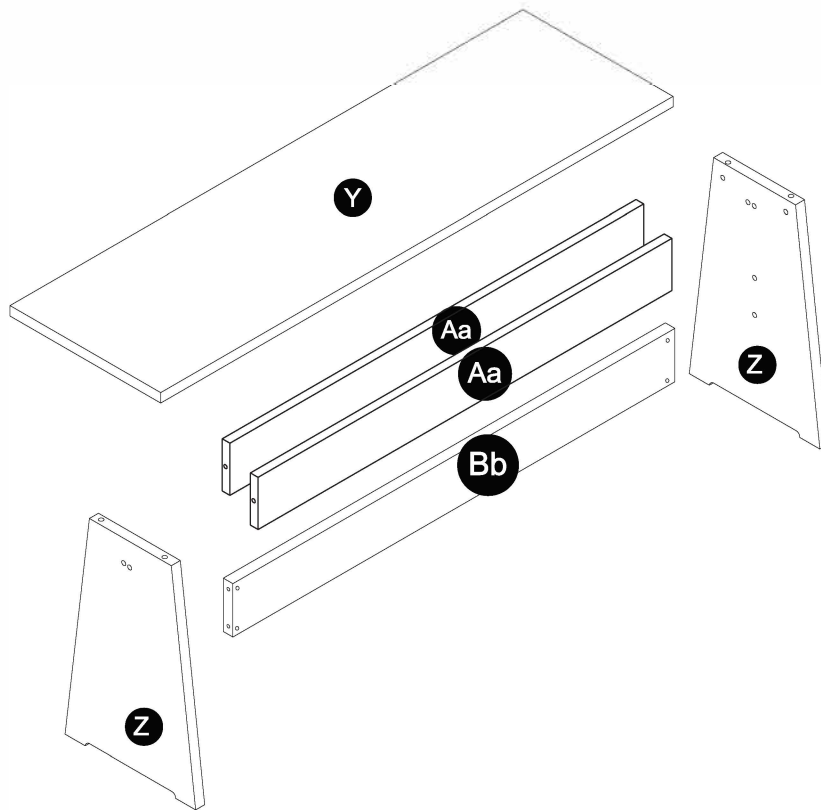


HW4x4

ASSEMBLY INSTRUCTIONS




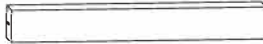
Solid Wood Corner Dining Set

Avoid using sharp objects such as a knife to cut open packing as you may accidentally damage the item.


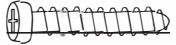




BENCH

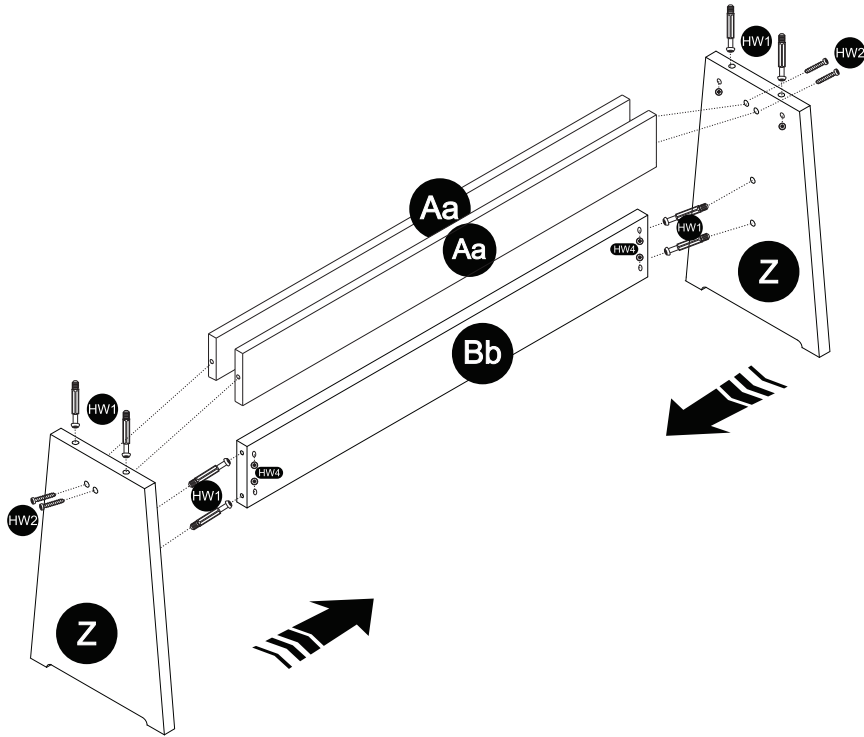
PARTS LIST

ITEM	DESCRIPTION	SKETCH	QUANTITY
Y	Bench seat	 92X28cm	1x
Z	Bench legs	 41.5X26cm	2x
Aa	Bench Crossbar	 68.5X5cm	2x
Bb		 68.5X10cm	1x

HARDWARE LIST

ITEM	DESCRIPTION	SKETCH	QUANTITY
HW1	Screw:38mm		8x
HW2	Screw:50mm		4x
HW4	Nut:13mm		8x
HW5	Allen Key		1x

STEP 1: Attach the bench legs to the bench crossbar using screws.

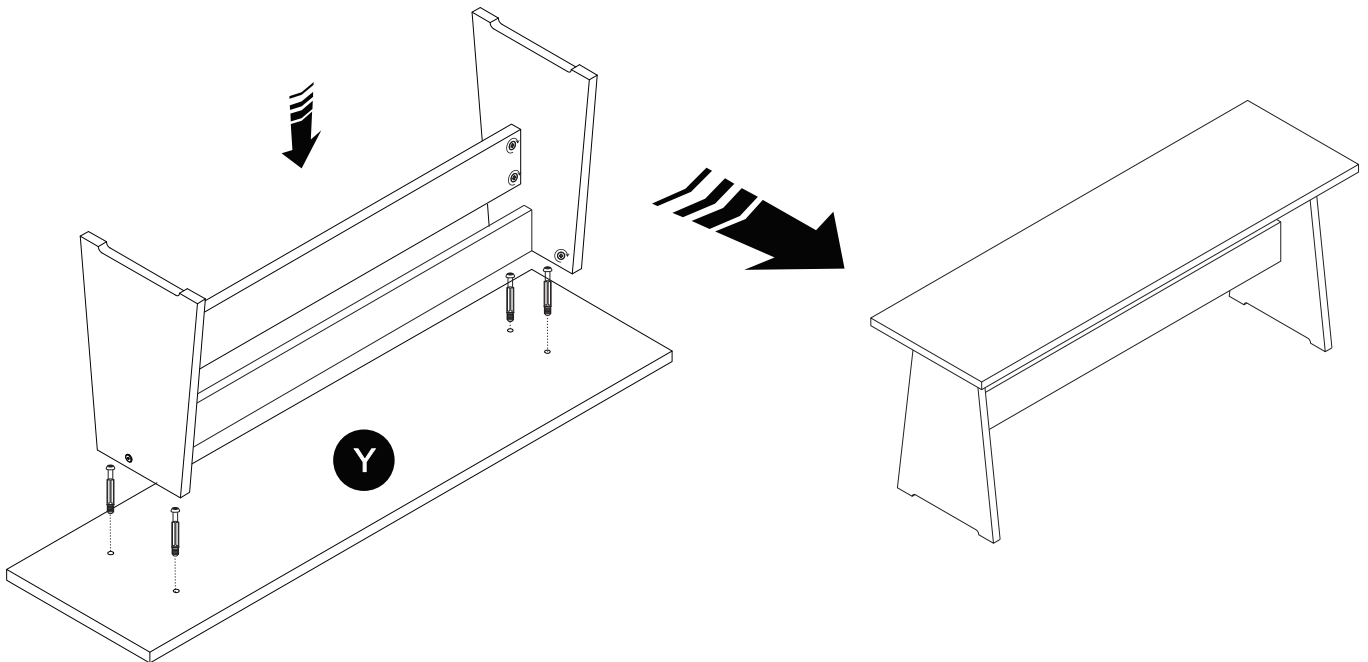


HW1x8

HW2x4

HW4x4

STEP 2: Attach the bench seat using screws.

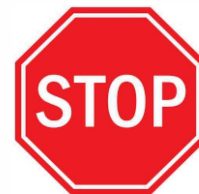


HW4x4

CLEANING INSTRUCTIONS: Clean with Soft cloth, brush, or lightly vacuum.

ADULT ASSEMBLY REQUIRED

If you are missing any parts or have any questions regarding assembly, do not return this item to the retailers store. Please call our toll-free, customer service number and have this assembly manual open to the parts list ready to provide the model name, number and part name or number.



WARNING: This product may contain small components, please ensure they are kept away from small children.