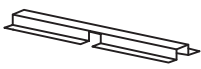
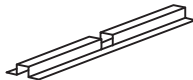






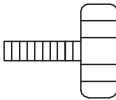
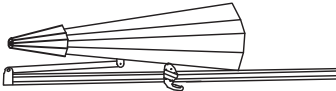

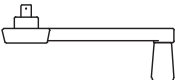



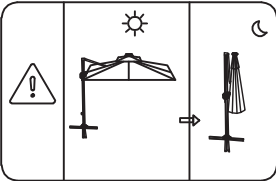
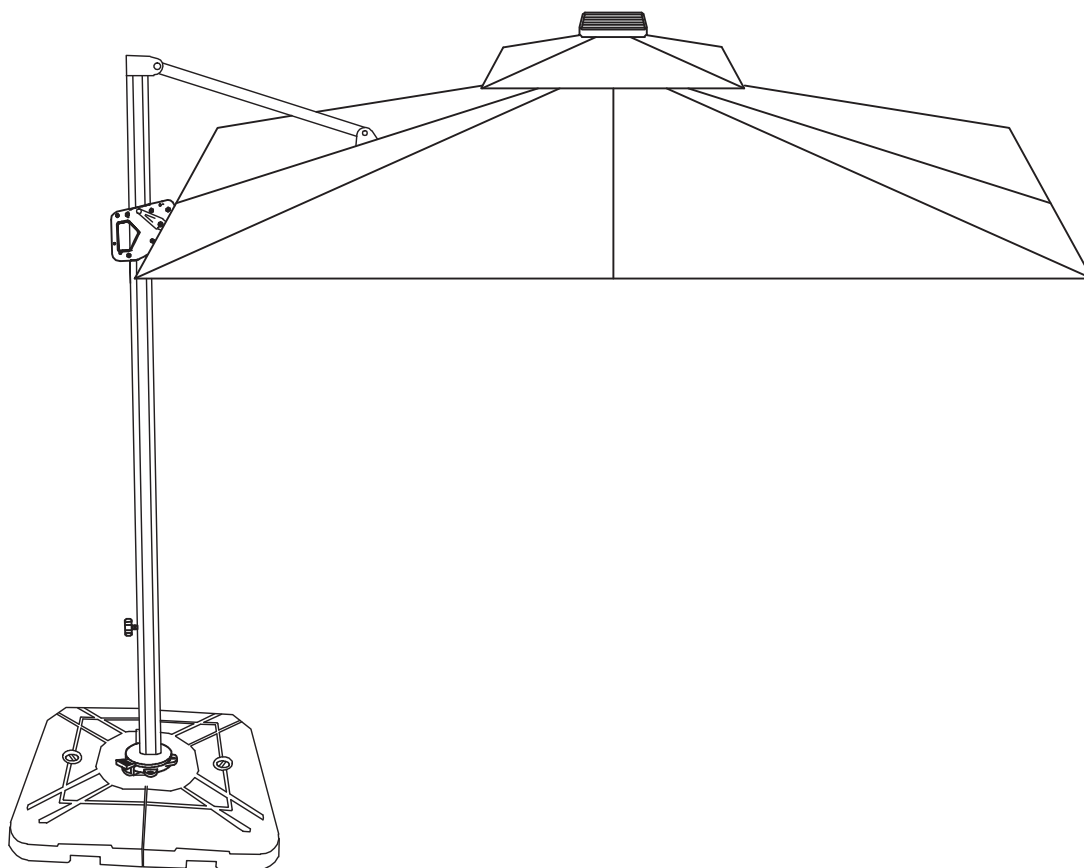


# ASSEMBLY INSTRUCTIONS

UMBRELLA

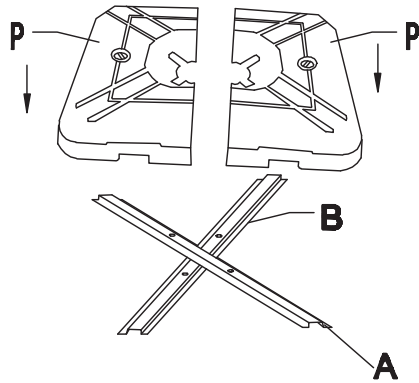
# ASSEMBLY INSTRUCTION

					 <b>M8*15</b>
<b>A 1 PC</b>	<b>B 1 PC</b>	<b>C 1 PC</b>	<b>D 1 PC</b>	<b>E 1 PC</b>	<b>F 4 PCS</b>
					
<b>G 8 PCS</b>	<b>H 1 PC</b>	<b>I 1 PC</b>	<b>J 1 PC</b>		<b>K 1 PC</b>
		 <b>M8*25</b>			
<b>L 1 PC</b>	<b>M 1 PC</b>	<b>N 4 PC</b>	<b>P 1 PC</b>		

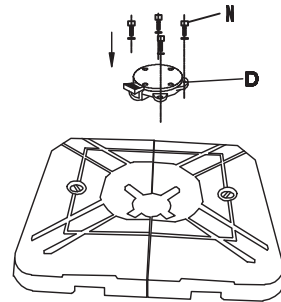


# ASSEMBLY INSTRUCTION

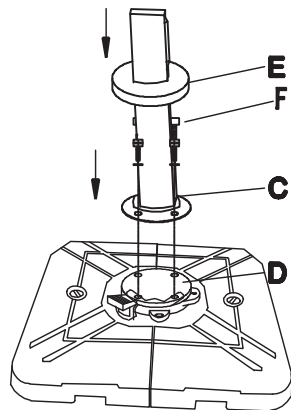
①



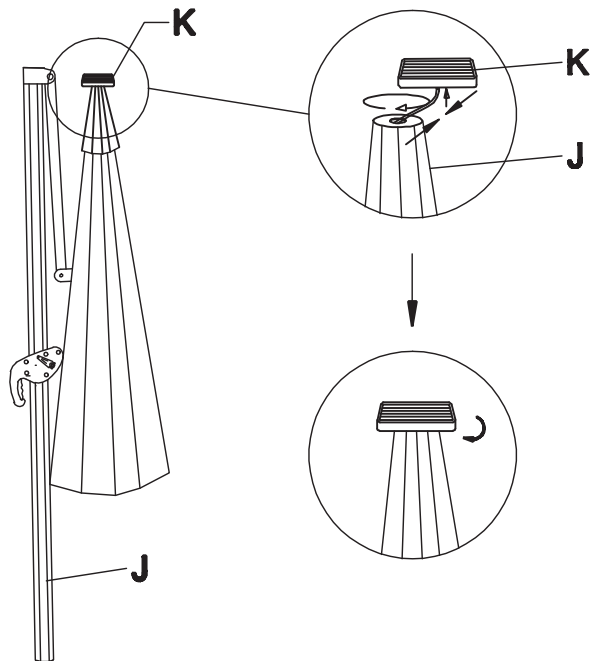
②



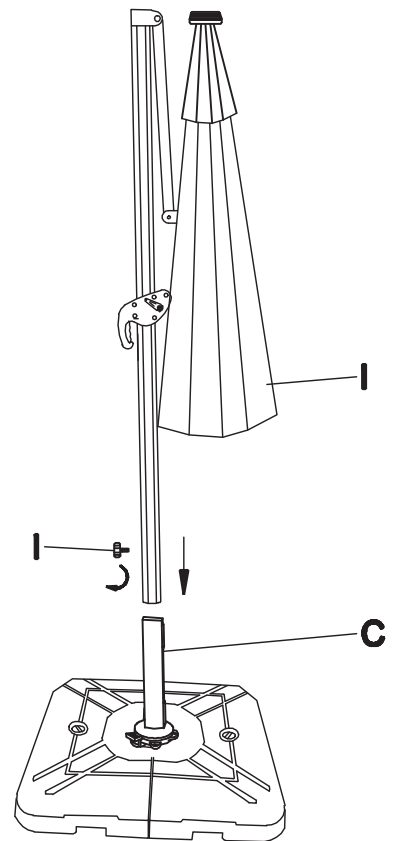
③



④

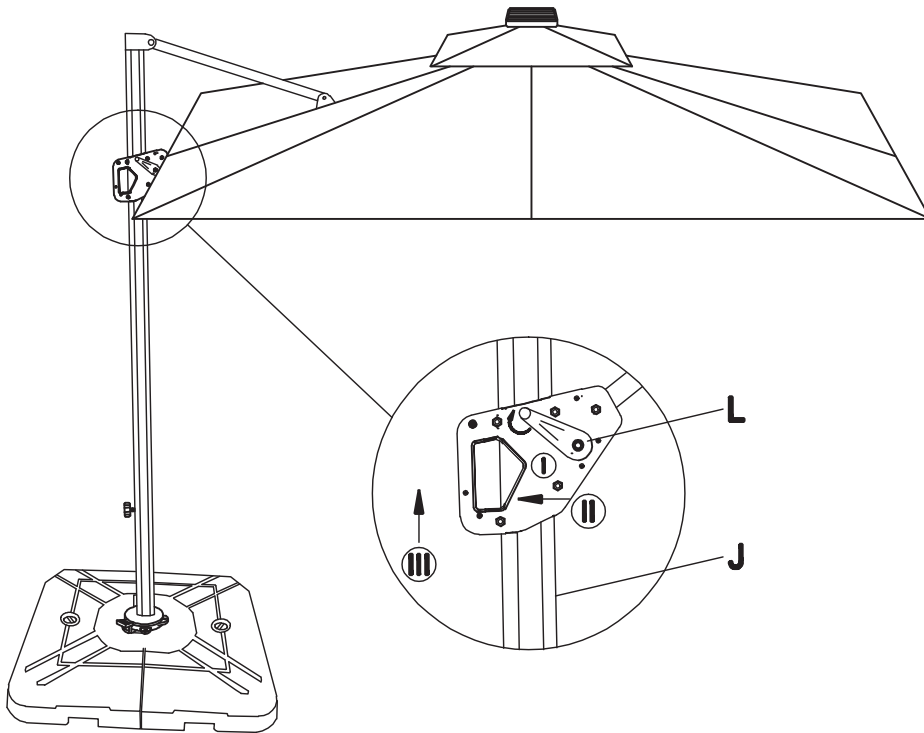


⑤

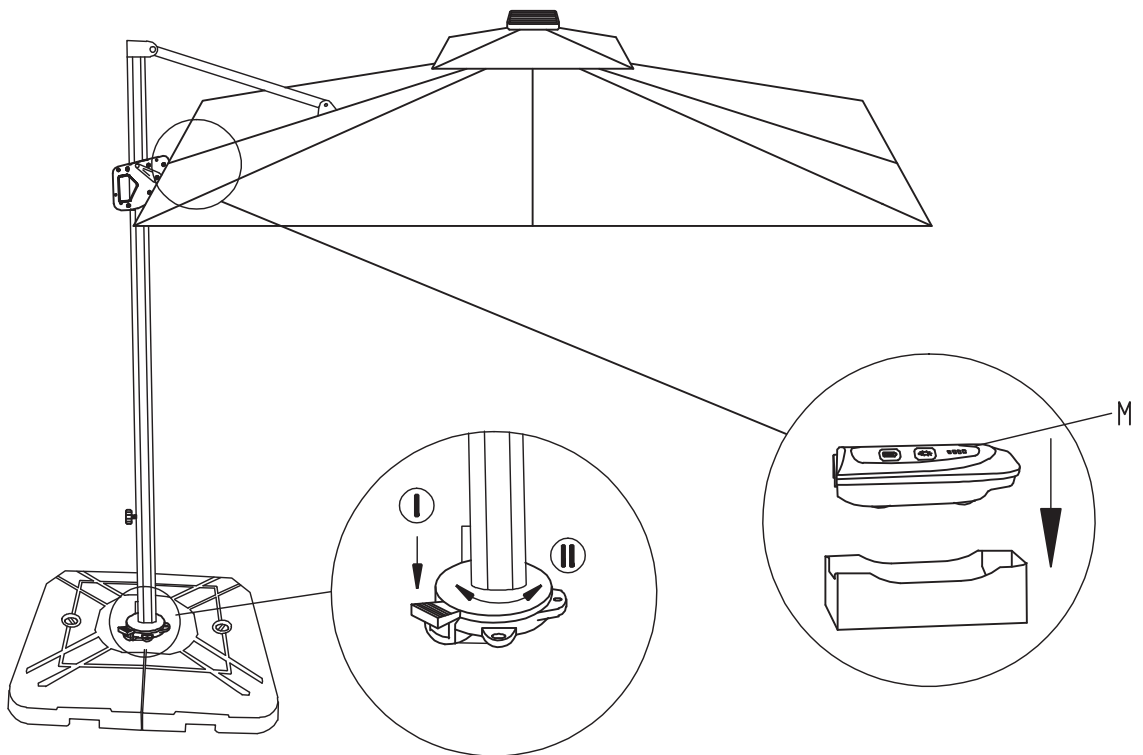


# ASSEMBLY INSTRUCTION

5



6



# Need some help?

---

## CARE INSTRUCTIONS

Outdoor furniture naturally weathers and shows color variation over time. We recommend the following care for the best results:

- Wipe with a soft cloth.
  - Wash with mild soap and water as needed; do not use abrasive cleaners.
  - Cover furniture with an outdoor cover (not included) when not in use.
  - Store in a dry, covered area during inclement weather or winter season.
- 



After assembly is completed, save these instructions and any included tools for future maintenance or re-assembly.

---

Enjoy.