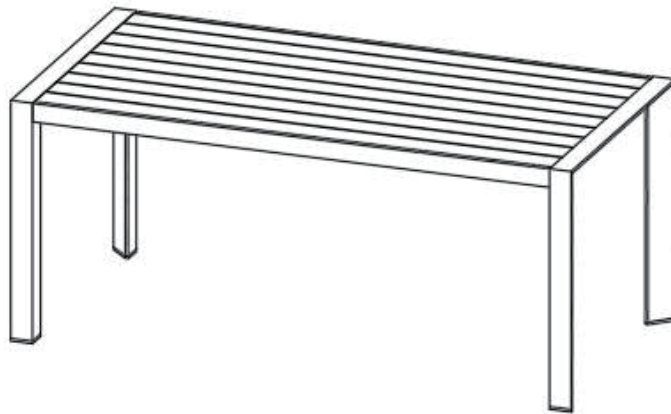




Assembly Instructions

Caution : You must read this before you proceed

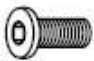


Table



Parts List

Label	Picture	Description	QTY
A		Leg Frame	2
B		Table Top	1

Hardware

Label	Picture	Description	QTY
①		Bolt (M6*20MM) Flat Head	13
②		Bolt (M6*25MM) Flat Head	5
③		Allen Wrench	1

Assembly Preparation

Before Beginning Assembly:



A x 2



B



① x 13



② x 5



③



- Read instructions, cover to cover-



- Have 2 adults on hand for assembly-



- Do not assemble on flooring or carpet-



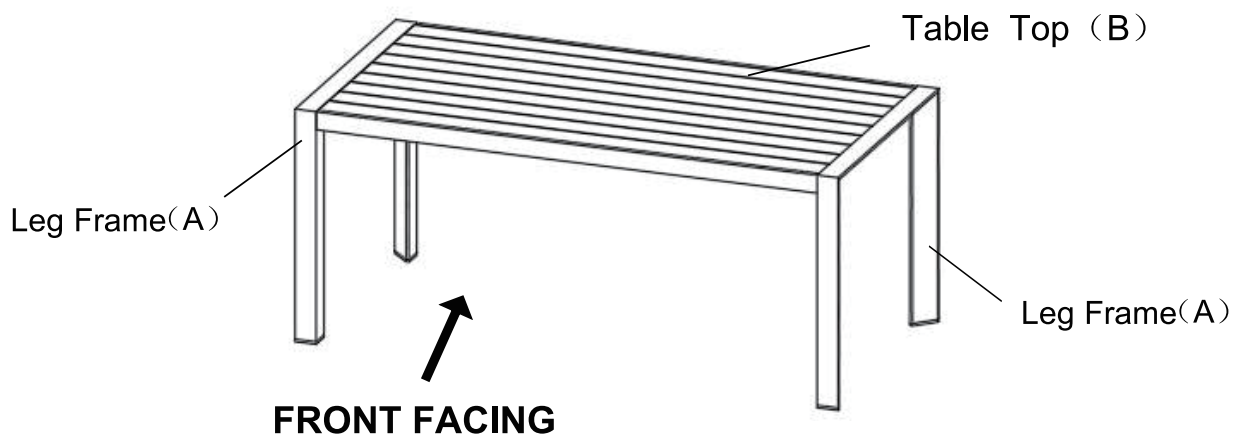
- Assemble on a clean non-marring surface (packing foam)-



- Save all packaging until finished-

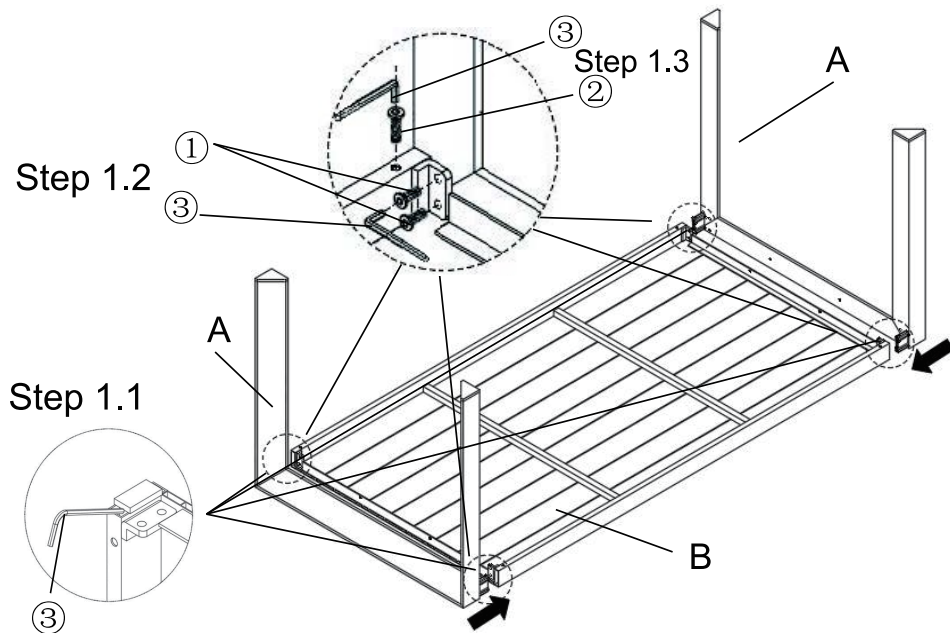
Assembly Steps

Overview



This Table has multiple parts and may require up to 30 minutes to assemble. To give you an overview of the Table parts, the above picture is provided to help you put the various parts into perspective. Please read through the instructions below to familiarise yourself with the parts and steps before assembly.

Step 1



Open the carton and place all the parts onto a clean, non-marring surface.

Step 1.1) Remove the 4 plastic plugs on the table top (B) using the Allen wrench (3)

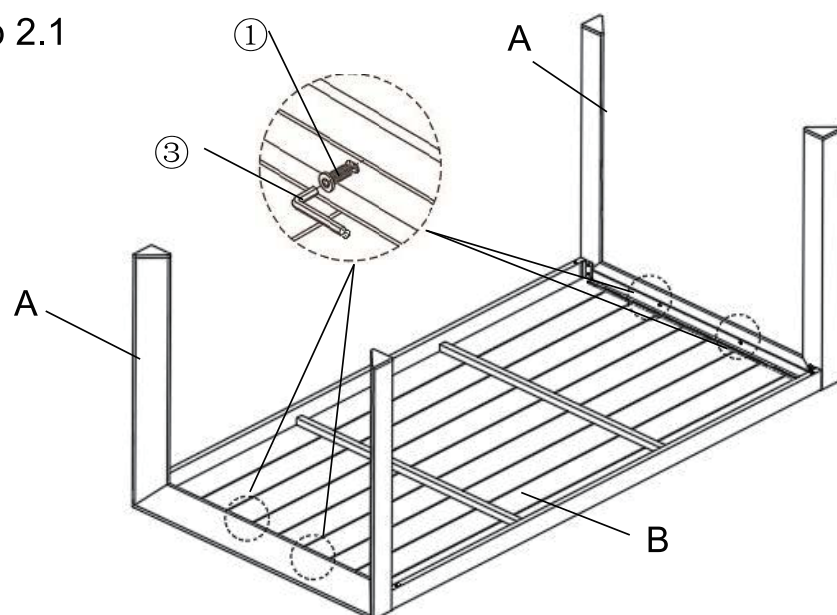
Step 1.2) Attach the Leg Frame (A) to the Table Top (B) with Bolts(2), using the Allen wrench(3) as shown above.

Step 1.3) Attach the other Leg Frame (A) to the Table Top (B) with Bolts(1), using the Allen wrench(3) as shown above.

Do not fully tighten the Bolts.

Step 2

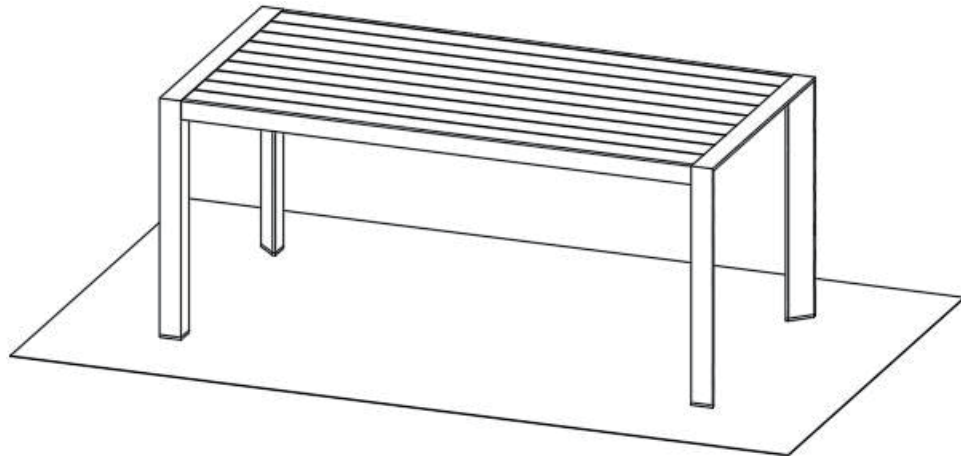
Step 2.1



Step 2.1) Secure the Leg Frames(A) to the Table Top (B) with Bolts(1), using the Allen wrench(3), as shown above.

Fully tighten all Bolts in a sequential manner





















Step3



Your table is ready for use.

This table can only be used on a flat, level surface.

Care & Maintenance

-   ● Do not put hot items directly on furniture surface
 -   ● Do not clean furniture with harsh cleansers or polish.
 -   ● To obtain the longest lifespan of your outdoor products, minimizing exposure to direct sunlight is recommended.
 -   ● Children should not climb or jump on the furniture.
 -   ● Do not write on furniture without a padded barrier to protect the surface.
 -   ● To obtain the longest lifespan of your outdoor products, avoid extended and lengthy exposure to rain, snow, and direct sunshine. Whenever possible cover the product and /or place under patio or awnings.
 -   ● Not for commercial use. For residential use only .
 -   ● Stains may be removed with mild soap solution and damp cloth.
 -   ● Keep away from sources of ignition.
-
-   ● Dust and pick-up spills using a clean, non-colored, lint-free cloth.