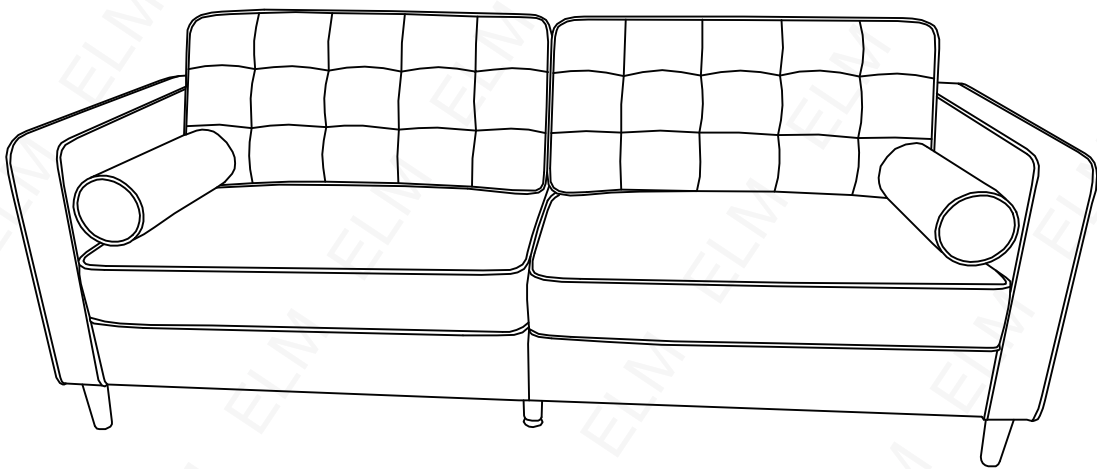


ASSEMBLY INSTRUCTIONS SS13115

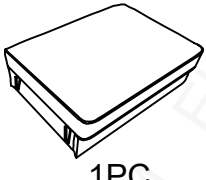
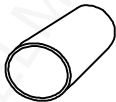
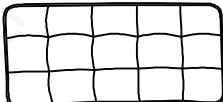
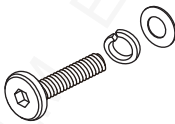

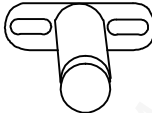


— Sectional Sofa —


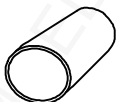
Thanks for choosing our product. Please kindly check parts listed below and read this manual carefully, then assemble them step by step. Please feel free to contact us for any questions.

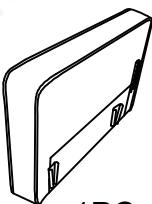





Attention

1. Come with three boxes, please check if you already received three boxes we shipped to you. Sometimes the three boxes will not arrive in same date, hope you can wait for 2-3 more days or contact us for more help. If you already have three boxes, please kindly send us messages to let us know the name of missing part regarding to the first page of instructions. We will send replacement to you asap.
2. If there is any damage, please send clear photos about damaged part to us as attachment, we will check and offer you best solution soon.
3. We are concerned about each customer's experience, if there is any loss or damage, please contact us at any time, we will provide effective solutions.
4. It is recommended to assemble more than two people, so that you will be very relaxed.

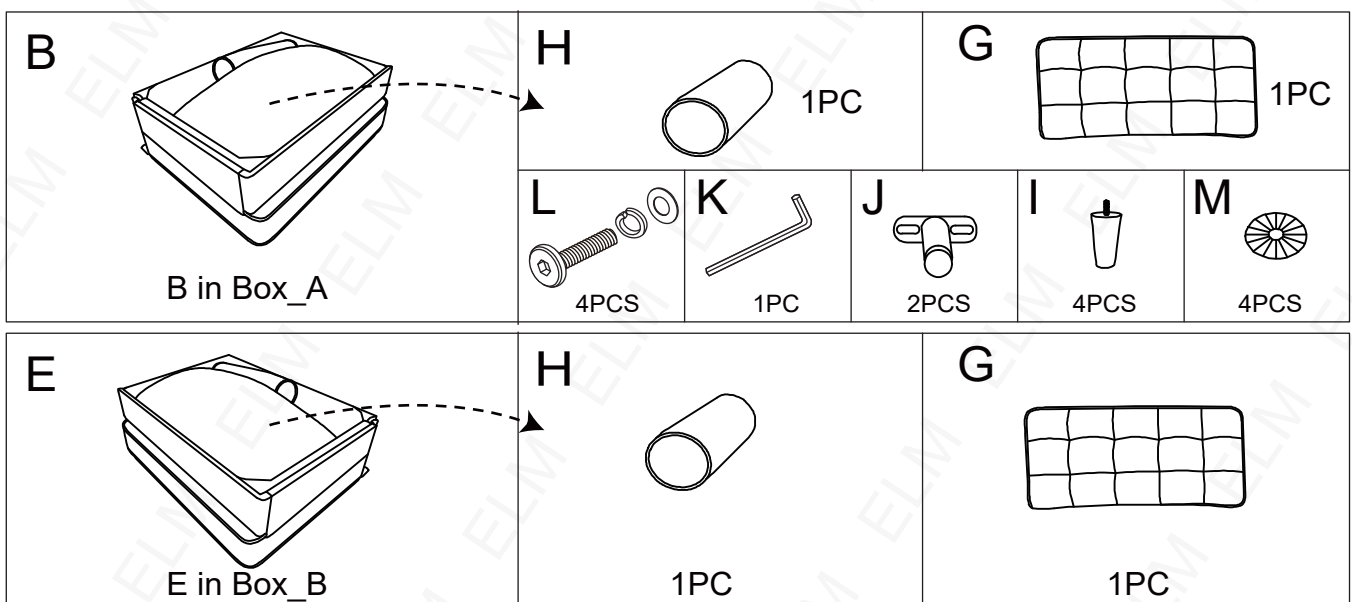
Box-A Parts List				
B  1PC	Pack in B			
	H  1PC	G  1PC		
L  4PCS	K  1PC	J  2PCS	I  4PCS	M  4PCS

Box-B Parts List	
E  1PC	Pack in E
	H  1PC

Box-C Parts List			
A  1PC	C  1PC	D  1PC	F  1PC

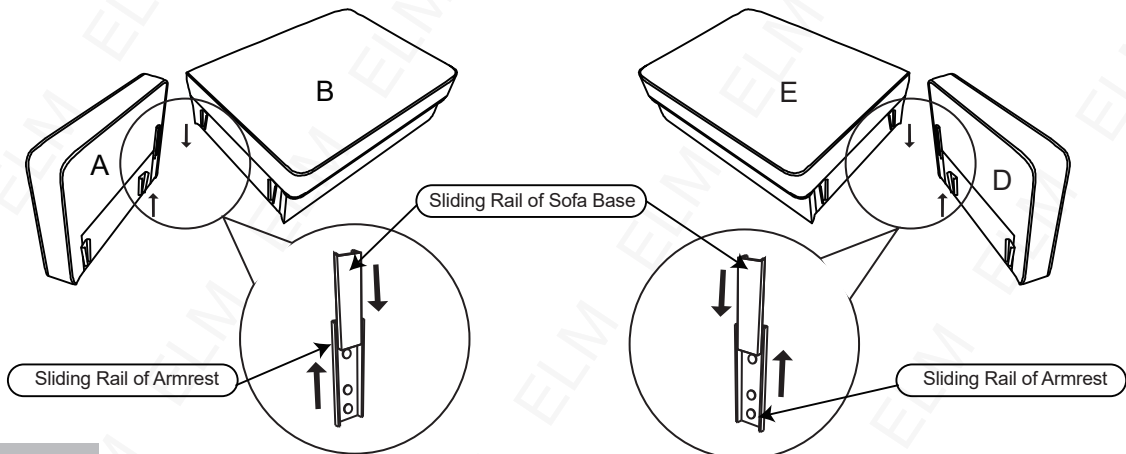
Attention

1. It will come with 3 boxes. Please wait one more day if they do not arrive on the same day.
2. Chat us freely if the item is damaged or you have any concerns.
3. Some accessories are placed in the sofa base [B]. Please open the cloth of the sofa base and take out all accessories.



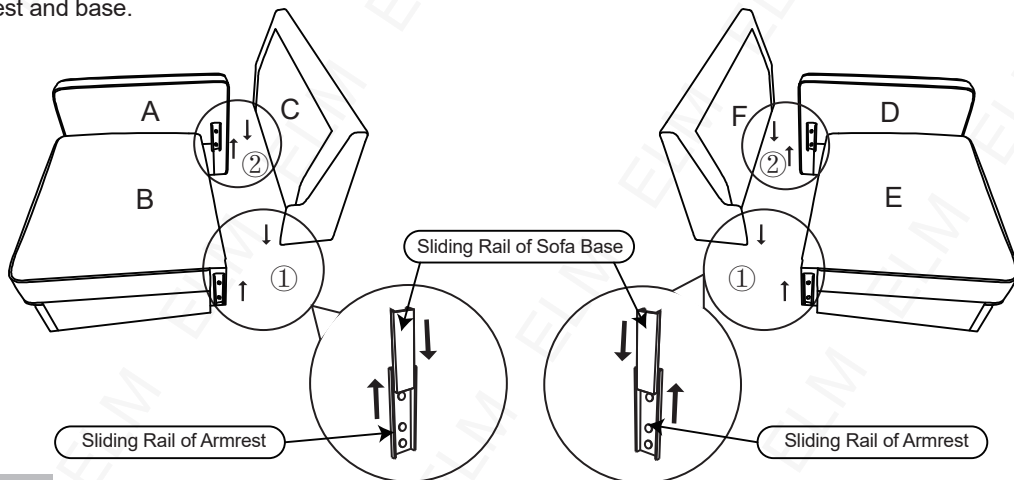
STEP 1

Assemble Tip: Pay attention to the direction of the sliding rail, you need to lift the sofa base slightly, then let the slide rail of the sofa base [B & E] connect the slide rail of the Armrest [A & D] from top to bottom, so as to fix the Armrest [A & D] and the base [B & E]

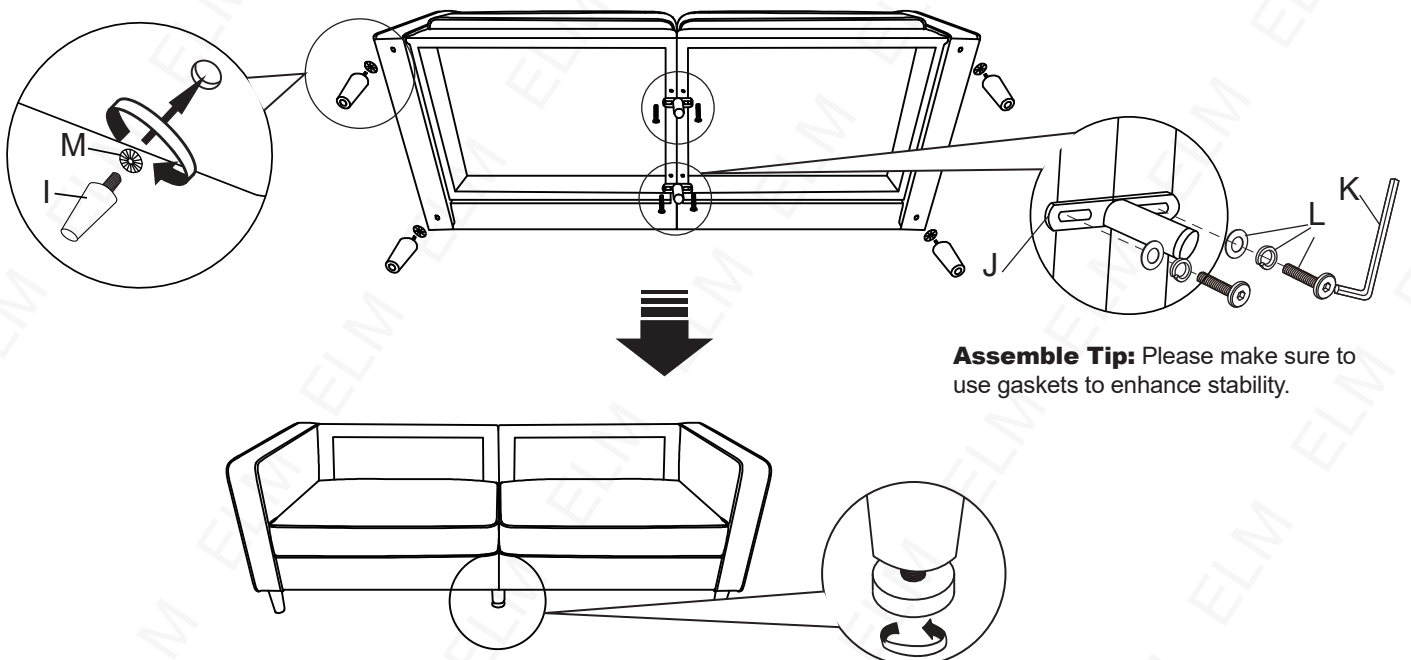


STEP 2

Assemble Tip: Align the Slide Rail [1] first, then align the Slide Rail [2], then press the backrest to secure the backrest and base.



STEP 3



Assemble Tip: Please make sure to use gaskets to enhance stability.

It's available to adjust foot height regarding ground condition to keep sofa in balance

STEP 4

