

EN_ IMPORTANT, RETAIN FOR FUTURE REFERENCE: READ CAREFULLY.

FR_ IMPORTANT: A LIRE ATTENTIVEMENT ET À CONSERVER POUR CONSULTATION ULTÉRIEURE.

ES_ IMPORTANTE, LEA Y GUARDE PARA FUTURAS REFERENCIAS.

DE_ „WICHTIG! SORGFÄLTIG LESEN UND FÜR SPÄTER NACHSCHLAGEN AUFBEWAHREN.“

IT_ IMPORTANTE! CONSERVARE IL PRESENTE MANUALE PER FUTURO RIFERIMENTO E LEGGERLO ATTENTAMENTE.

① x 1



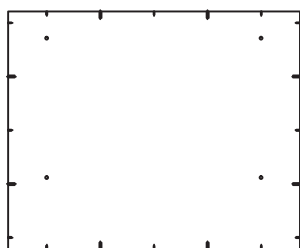
② x 1



③ x 1



④ x 1



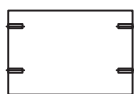
⑤ x 1



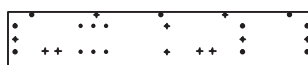
⑥ x 1



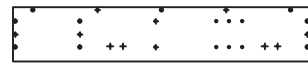
⑦ x 2



⑧ x 1



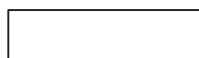
⑨ x 1



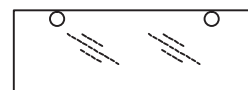
⑩ x 2



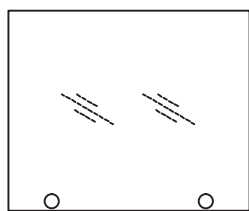
⑪ x 1



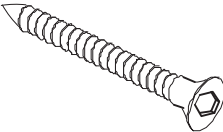
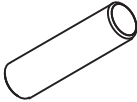
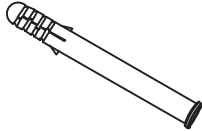

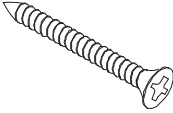
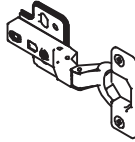

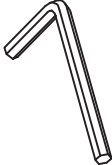
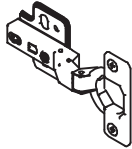
⑫ x 2



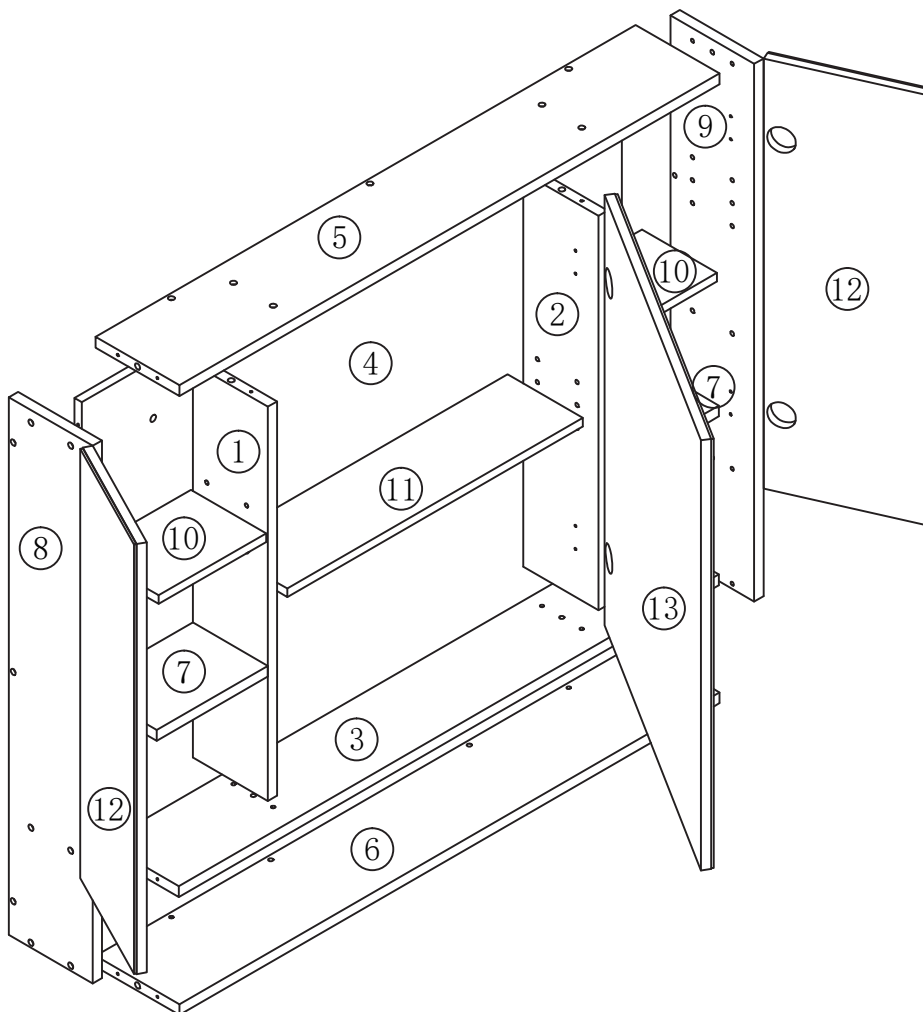
⑬ x 1



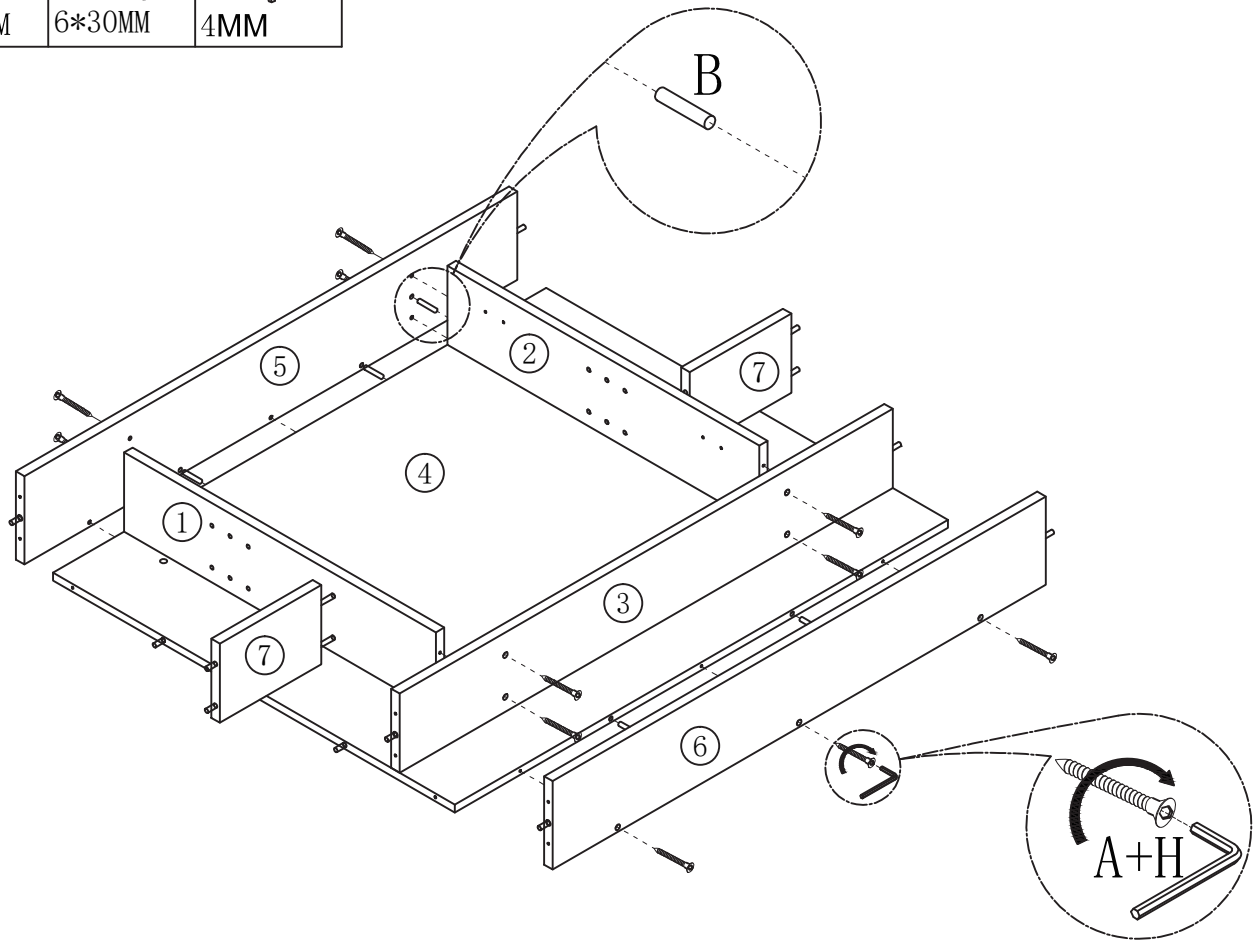
HARDWARE

 <p>A x 32 M5*50 +2 (spare)</p>	 <p>B x 26 M6*30 +1 (spare)</p>	 <p>C x 4 M8*80 +1 (spare)</p>
 <p>D x 12</p>	 <p>E x 4 M6*80 +1 (spare)</p>	 <p>F x 4 Ø35</p>
 <p>G x 36 M4*14 +2 (spare)</p>	 <p>H x 1 M4</p>	 <p>J x 2 Ø35</p>

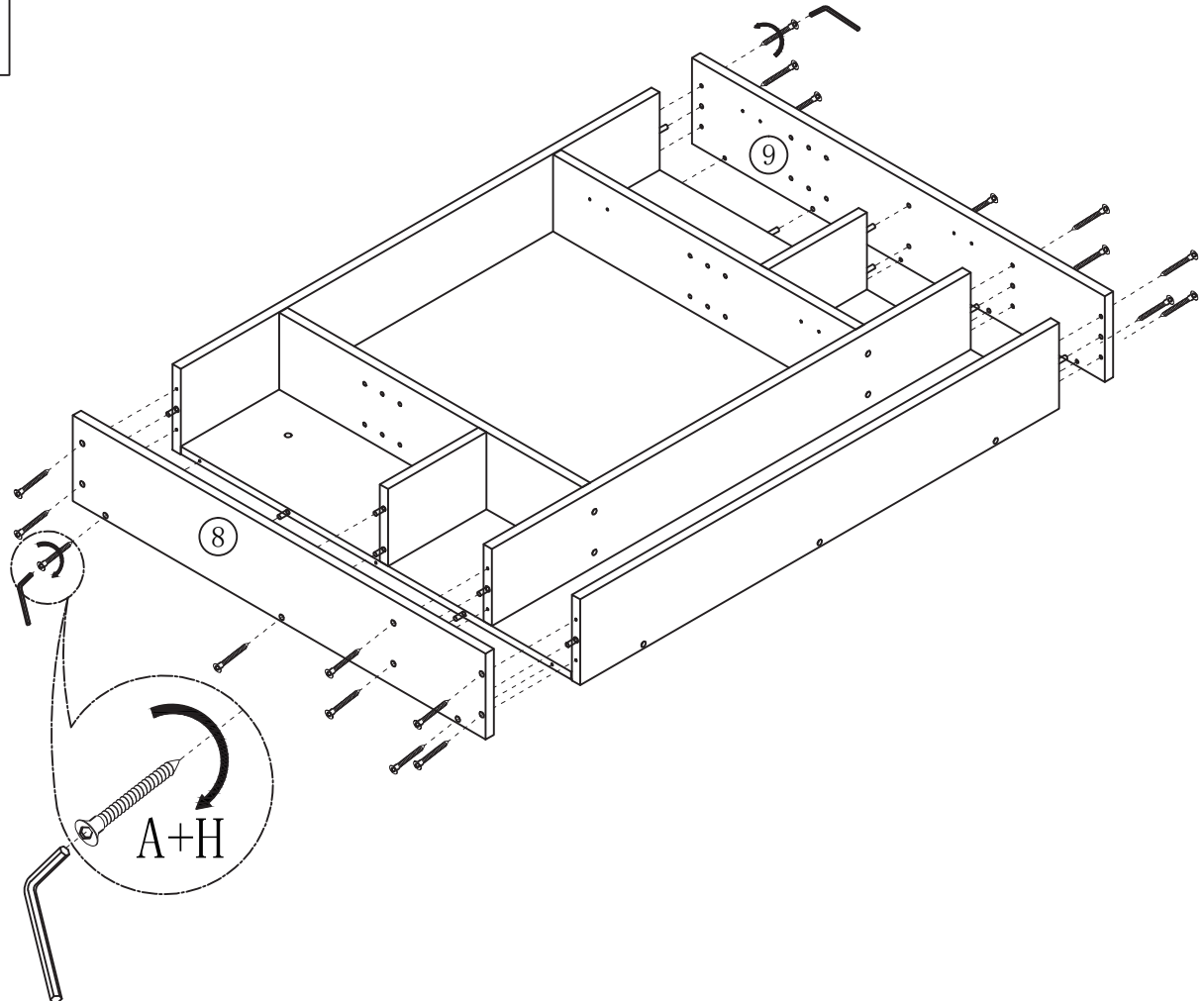
EXPLOSION FIGURE



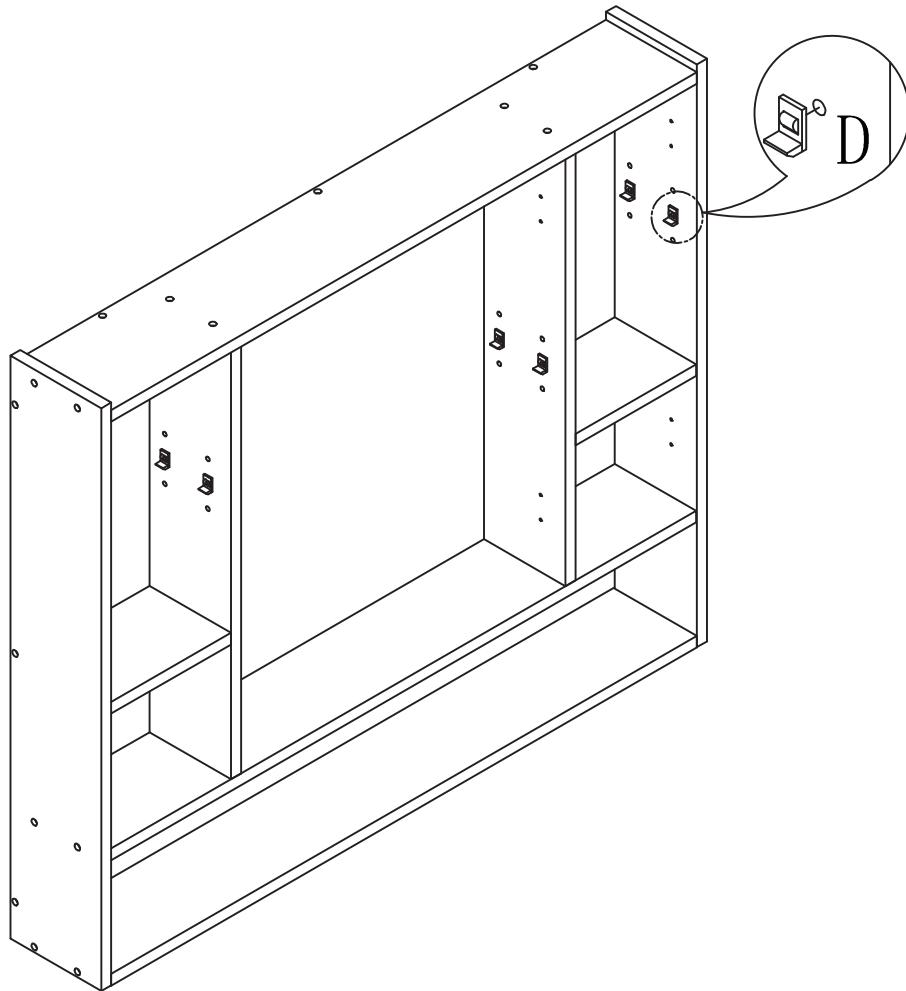
A=14 5*50MM	B=26 6*30MM	H=1 4MM
----------------	----------------	------------





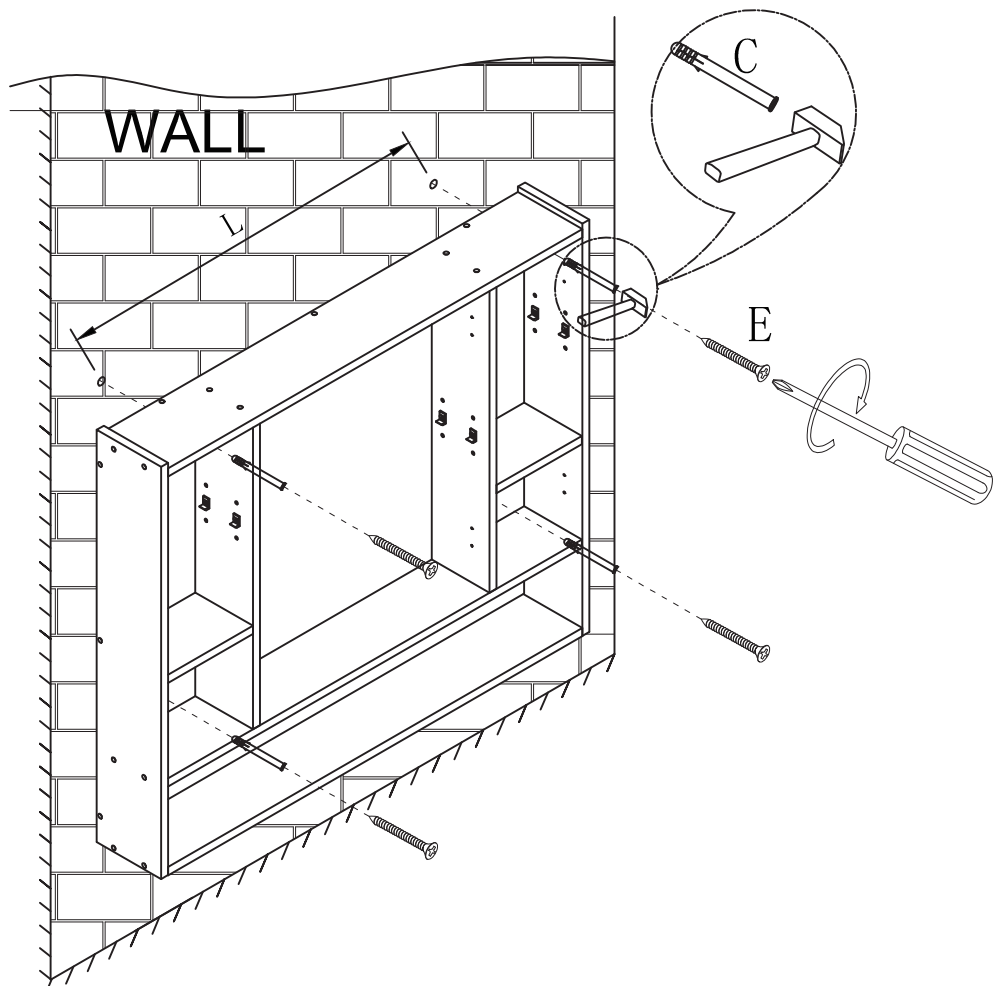
A=18 5*50MM

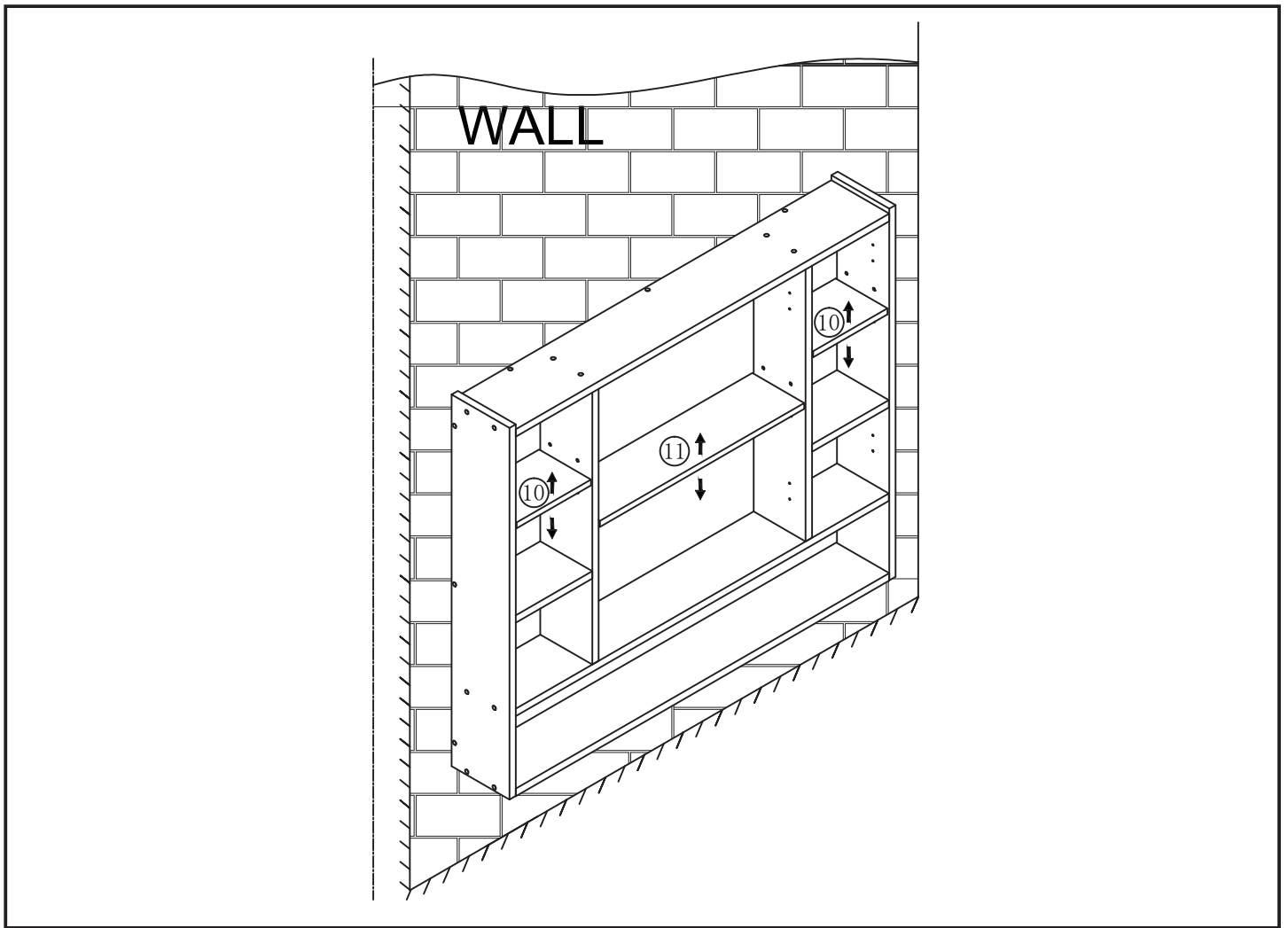


D=12

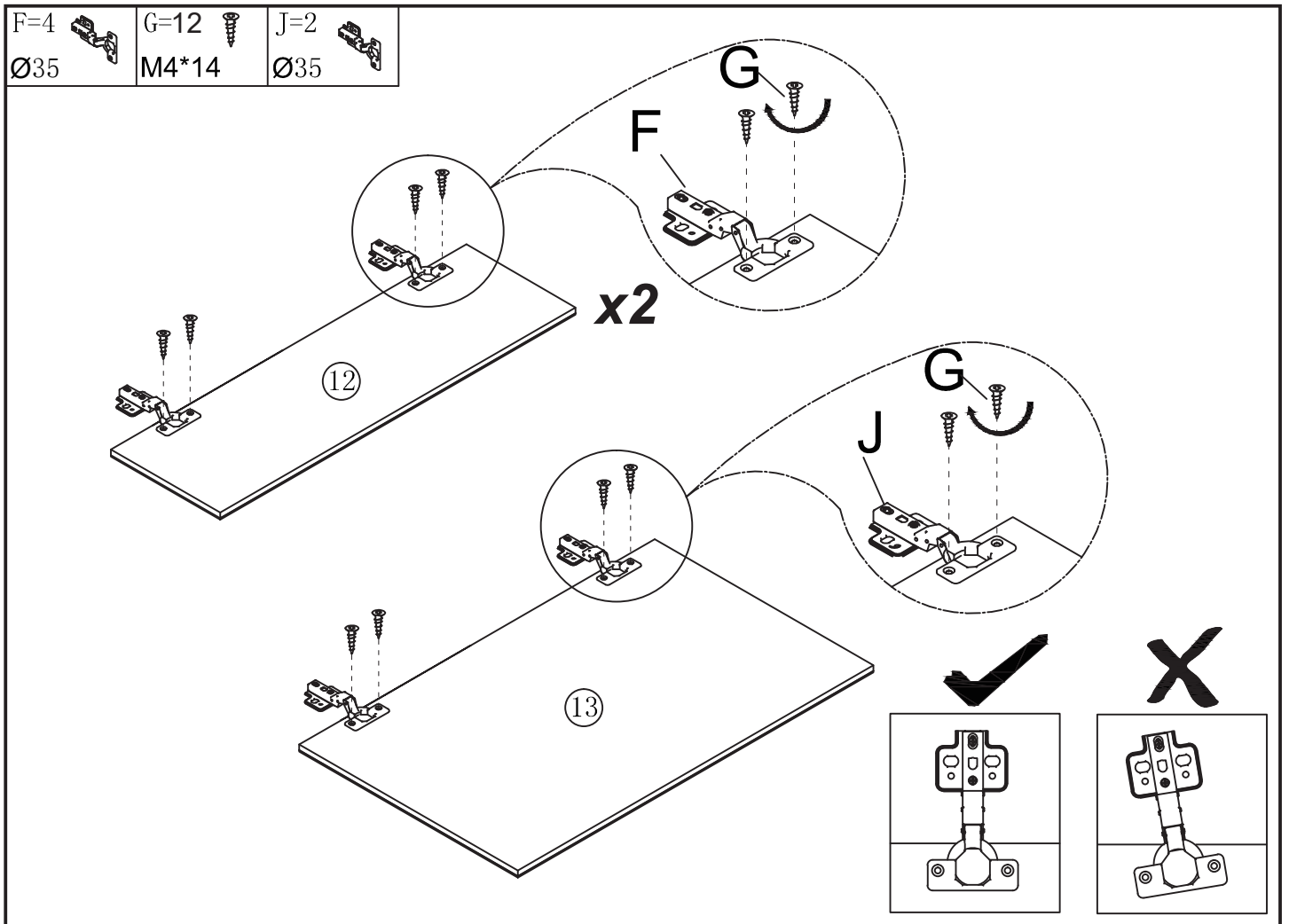


C=4  E=4 
Ø8*80MM Ø6*80MM





F=4 Ø35	G=12 M4*14	J=2 Ø35
------------	---------------	------------



G=24 
M4*14

