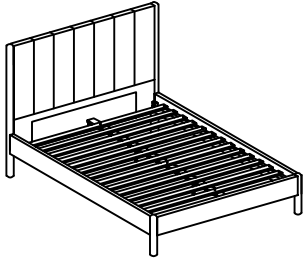


# ASSEMBLY INSTRUCTION

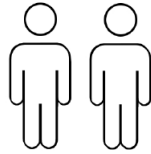
## FULL



### + Do Not Use Power Tools



### + Suggested Adults



### NOTE:

- 1 Read instructions cover to cover.
- 2 Save all packaging until assembly is completed.

### 1 IMPORTANT SAFETY INFORMATION

**Do not** assemble the product if any of the following parts arrived damaged:

- Part # - Side Rails
- Part # - Center Support Bar
- Part # - Support Legs
- Part # - Slats

### 2 IMPORTANT ASSEMBLY INFORMATION

**Assembly Step** Ensure the side rail bracket is fully hooked onto bolt loosely threaded with both washers on the **OUTSIDE** of the bracket first, then proceed to fully tightening all 4 corners.

### + Parts Included

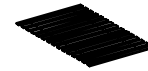
- |                          |                          |                           |
|--------------------------|--------------------------|---------------------------|
| ① Headboard<br>(1 of pc) | ② Footboard<br>(1 of pc) | ③ Side Rail<br>(2 of pcs) |
|--------------------------|--------------------------|---------------------------|



- |                               |                               |                            |
|-------------------------------|-------------------------------|----------------------------|
| ④ Headboard Leg<br>(2 of pcs) | ⑤ Footboard Leg<br>(2 of pcs) | ⑥ Center Rail<br>(1 of pc) |
|-------------------------------|-------------------------------|----------------------------|

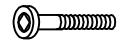
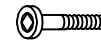


- |                             |                             |
|-----------------------------|-----------------------------|
| ⑦ Support Leg<br>(2 of pcs) | ⑧ 13 Pcs Slat<br>(1 of set) |
|-----------------------------|-----------------------------|

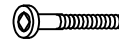


### + Hardware Included

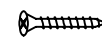
- |                                 |                                 |                                 |
|---------------------------------|---------------------------------|---------------------------------|
| A JCBB<br>M8x20mm<br>(8 of pcs) | B JCBC<br>M6x40mm<br>(2 of pcs) | C JCBC<br>M6x60mm<br>(6 of pcs) |
|---------------------------------|---------------------------------|---------------------------------|



- |                                 |                                       |                                       |
|---------------------------------|---------------------------------------|---------------------------------------|
| D JCBC<br>M6x70mm<br>(4 of pcs) | E Allen Key<br>M5 x 70mm<br>(1 of pc) | F Allen Key<br>M4 x 65mm<br>(1 of pc) |
|---------------------------------|---------------------------------------|---------------------------------------|



- |                                  |                                   |                                |
|----------------------------------|-----------------------------------|--------------------------------|
| G CSK<br>M4 x 25mm<br>(2 of pcs) | H CSK<br>M4 x 32mm<br>(29 of pcs) | I Spring Washer<br>(10 of pcs) |
|----------------------------------|-----------------------------------|--------------------------------|



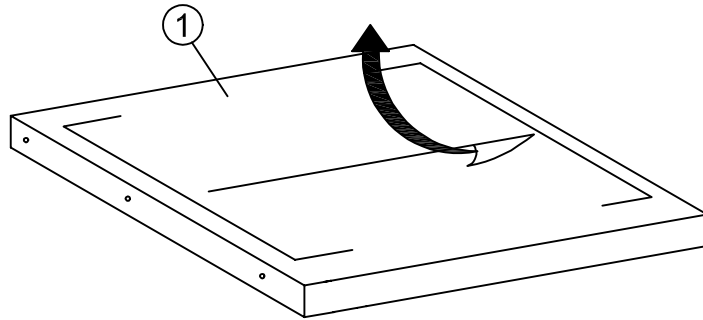
- |                              |                          |
|------------------------------|--------------------------|
| J Flat Washer<br>(10 of pcs) | K Adjuster<br>(2 of pcs) |
|------------------------------|--------------------------|



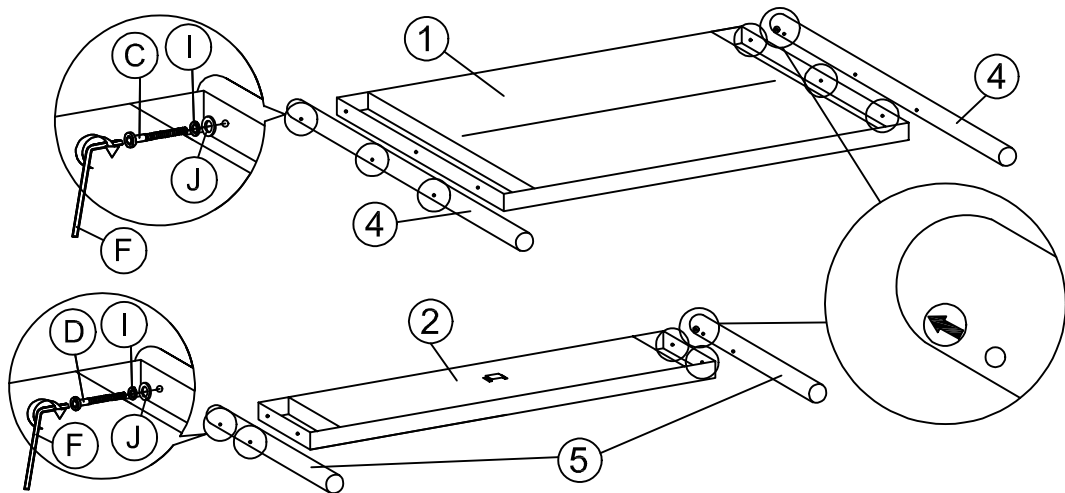
# ASSEMBLY INSTRUCTION

## FULL

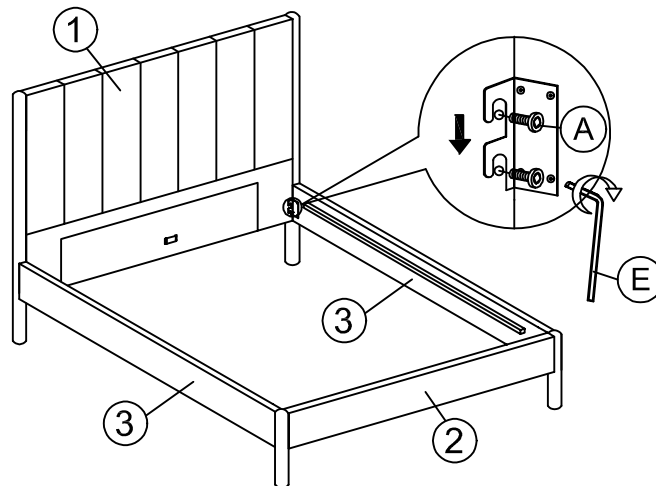
①



②



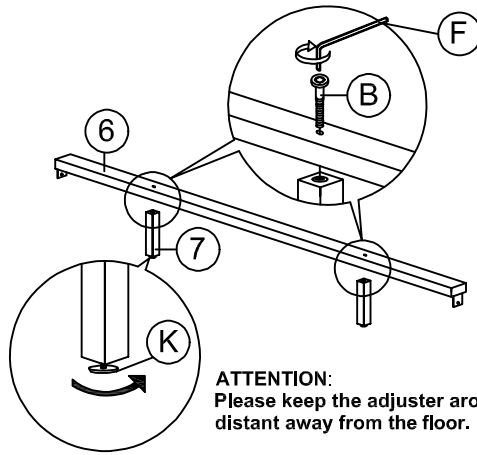
③



# ASSEMBLY INSTRUCTION

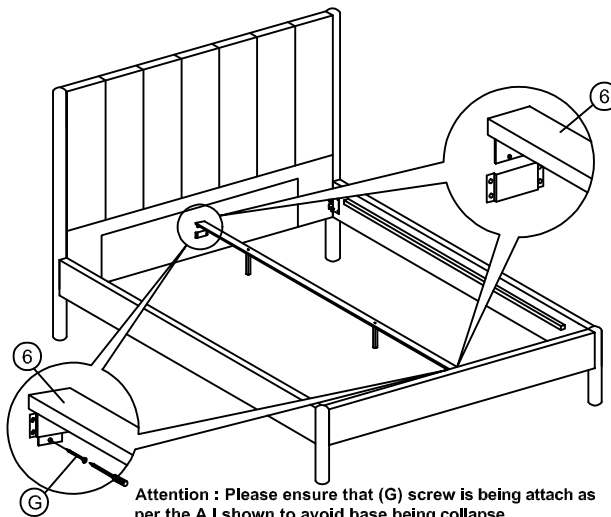
## FULL

3



**ATTENTION:**  
Please keep the adjuster around 5 to 8 mm distant away from the floor.

4



**Attention :** Please ensure that (G) screw is being attach as per the A.I shown to avoid base being collapse.

5

