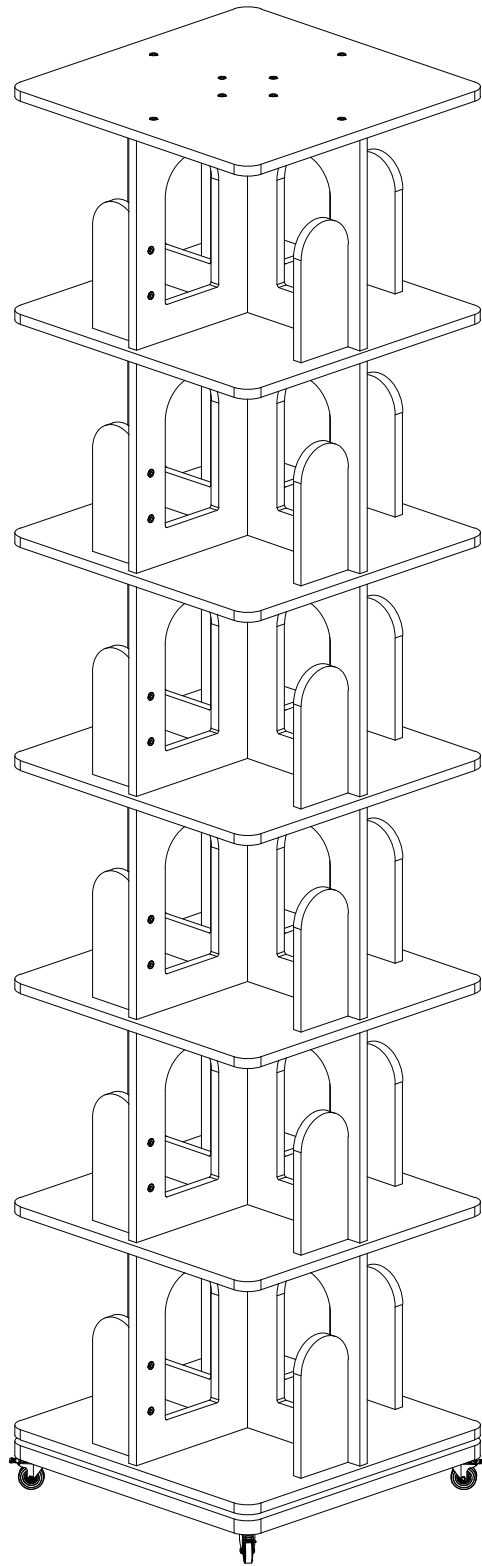


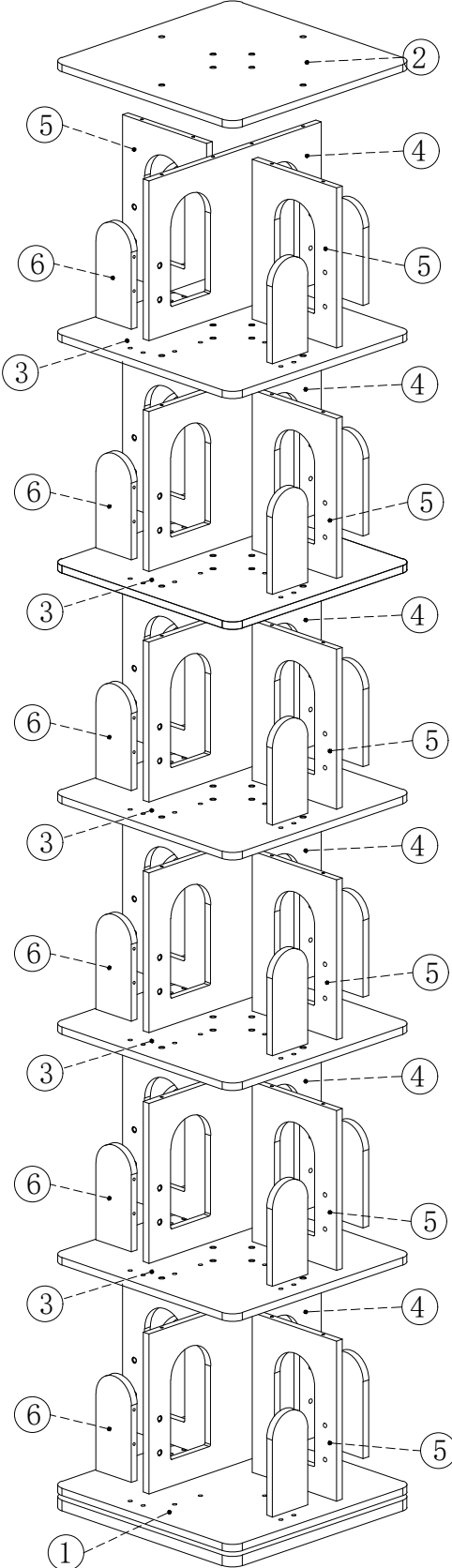
# Bookshelf Rotating 6-Shelf



# ASSEMBLY INSTRUCTIONS

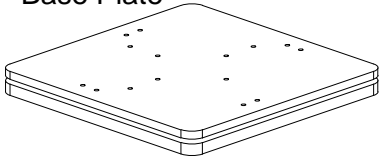
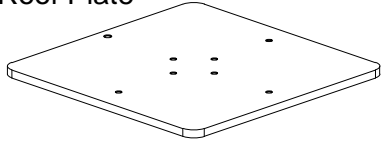
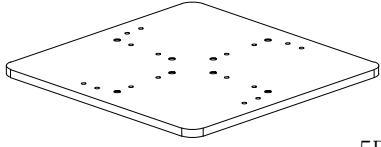
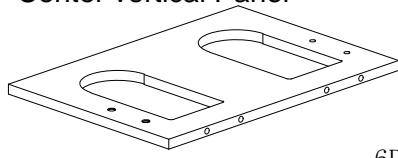
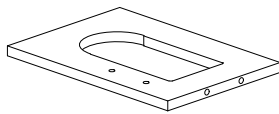
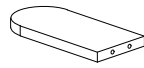
Model

6 Tier Rotating Bookshelf

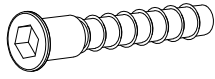

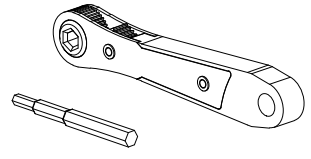
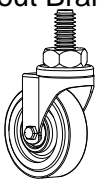
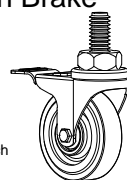
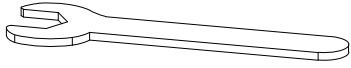


# Model: Bookshelf Rotating 6-Shelf

## Part List

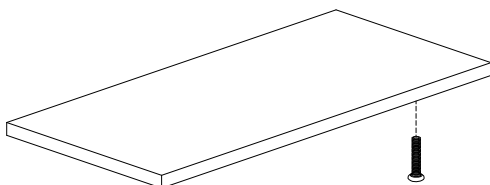
|  |   |  |
|--|---|--|
| <p>① Base Plate</p>  <p>1PC</p>             | <p>② Roof Plate</p>  <p>1PC</p>           | <p>③ Laminate</p>  <p>5PCS</p>          |
| <p>④ Center vertical Panel</p>  <p>6PCS</p> | <p>⑤ Side vertical Panel</p>  <p>12PCS</p> | <p>⑥ Decorative Panel</p>  <p>24PCS</p> |

## Hardware List

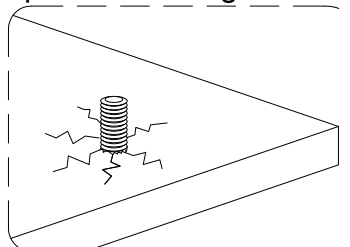
|   |  |   |
|---|--|---|
| <p>A Hexagonal Overmoulding Wire</p>  <p>M7*35MM 144+6PCS</p>                              | <p>B Wood Nog</p>  <p>8*30MM 48+4PCS</p>  | <p>C Ratchet wrench</p>  <p>M4 1PC</p>     |
| <p>D Caster without Brake</p>  <p>Lead screw M6*15mm*1 inch<br/>Total height 43mm 2PCS</p> | <p>E Caster with Brake</p>  <p>Lead screw M6*15mm*1 inch<br/>Total height 43mm 2PCS</p> | <p>F Open-End Wrench</p>  <p>#14MM 1PC</p> |

## Attention

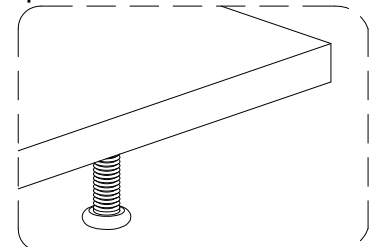
Using the right screws can prevent damage to these components.



Example



Mistake: screws can cause boards to split.

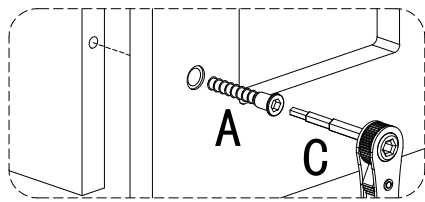
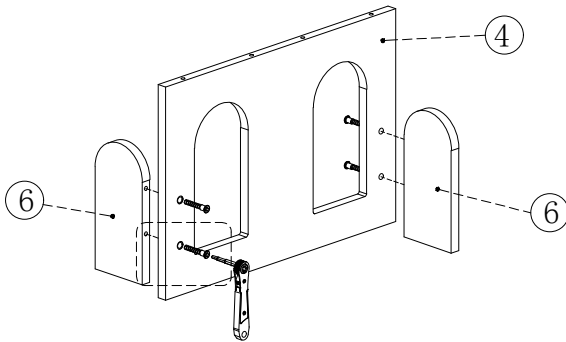


Correct: screws are the correct size.

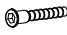

# Model: Bookshelf Rotating 6-Shelf

## Step 1

X 6

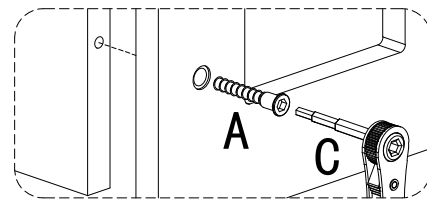
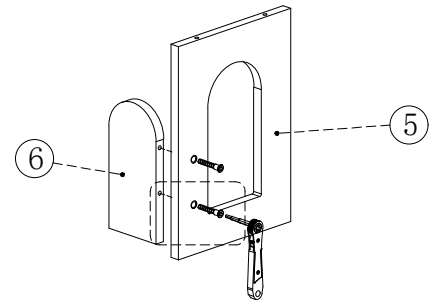


Assemble parts 4 and parts 6 with hardware C/A.



|          |   |       |
|----------|---|-------|
| <b>A</b> |  | 24PCS |
| <b>C</b> |  | 1PC   |

## Step 2

X 12

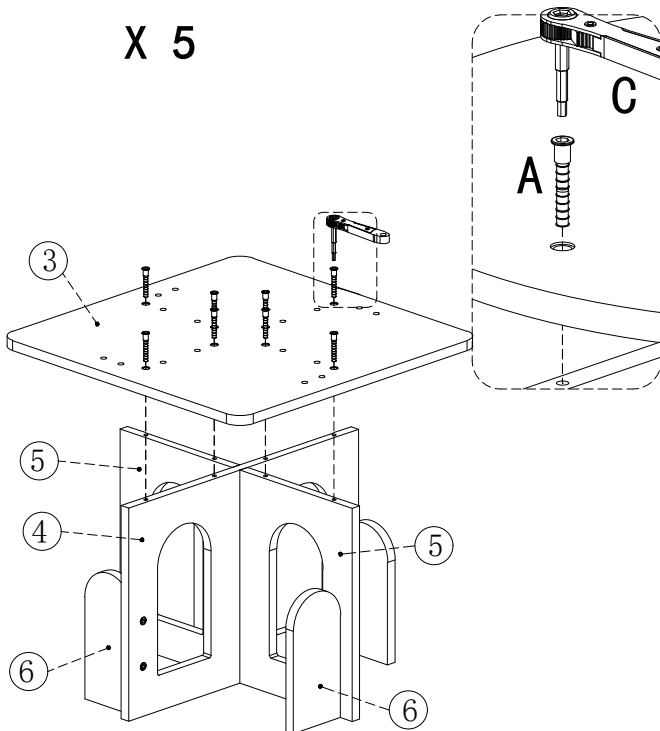


Assemble parts 5 and parts 6 with hardware C/A.

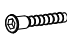

|          |   |       |
|----------|---|-------|
| <b>A</b> |  | 24PCS |
| <b>C</b> |  | 1PC   |

## Step 3

X 5

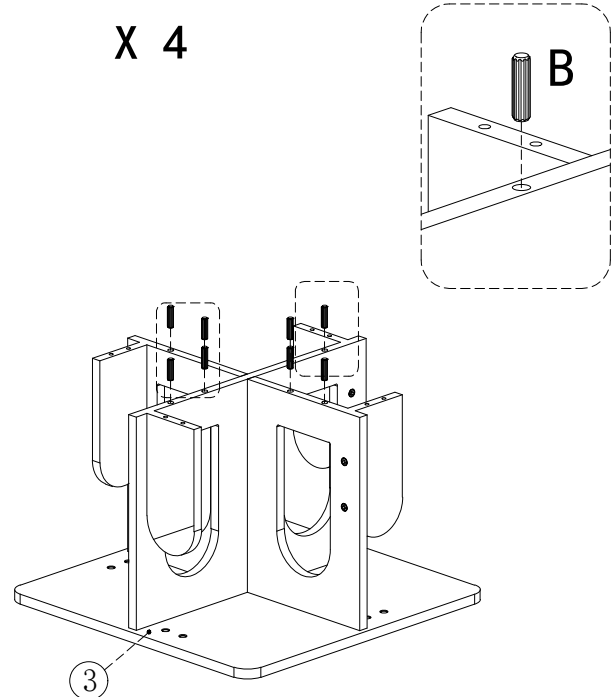


Assemble the components from Step 1/Step 2 with parts 3 using hardware C/A.


|          |   |       |
|----------|---|-------|
| <b>A</b> |  | 40PCS |
| <b>C</b> |  | 1PC   |

## Step 4

X 4

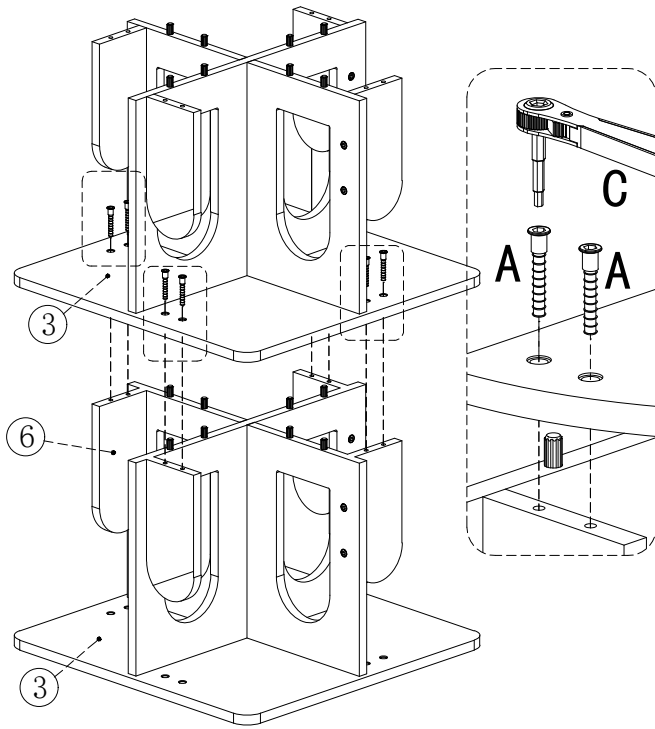


Flip the components from Step 3. Insert hardware B into the holes of the assembled components from Step 3 as shown.

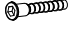

|          |   |       |
|----------|---|-------|
| <b>B</b> |  | 32PCS |
|----------|---|-------|

# Model: Bookshelf Rotating 6-Shelf

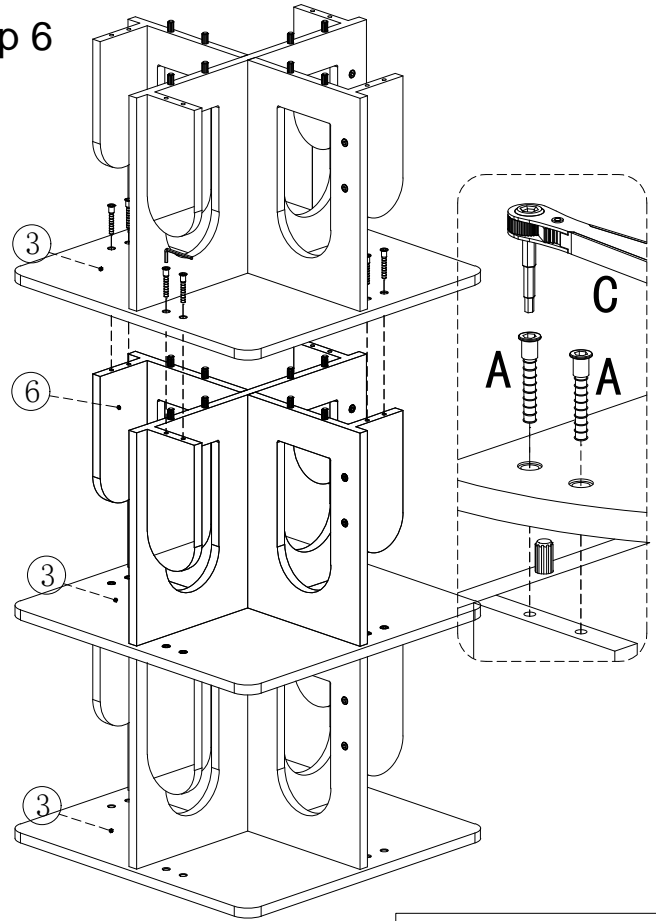
## Step 5



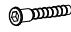
Assemble the components from Step 4 with hardware C/A.

|          |   |      |
|----------|---|------|
| <b>A</b> |  | 8PCS |
| <b>C</b> |  | 1PC  |

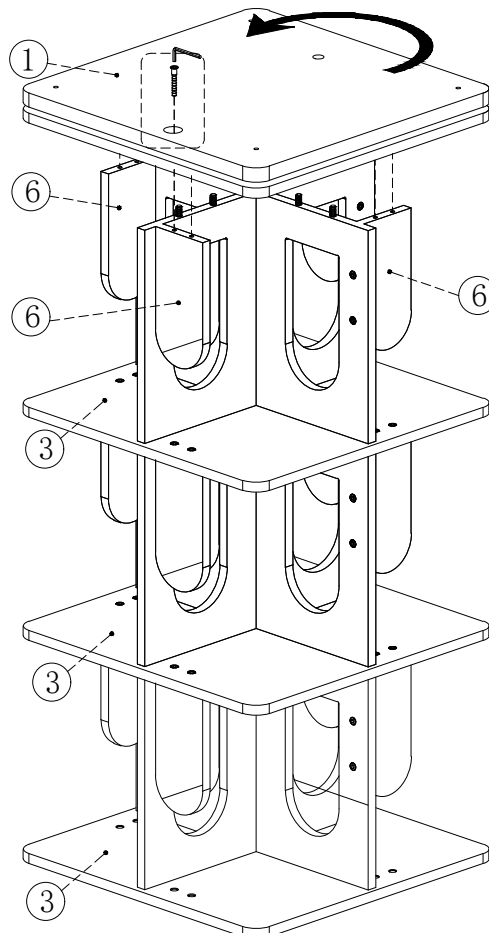
## Step 6



Assemble the components from Step 4 and Step 5 with hardware C/A.

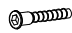

|          |   |      |
|----------|---|------|
| <b>A</b> |  | 8PCS |
| <b>C</b> |  | 1PC  |

## Step 7



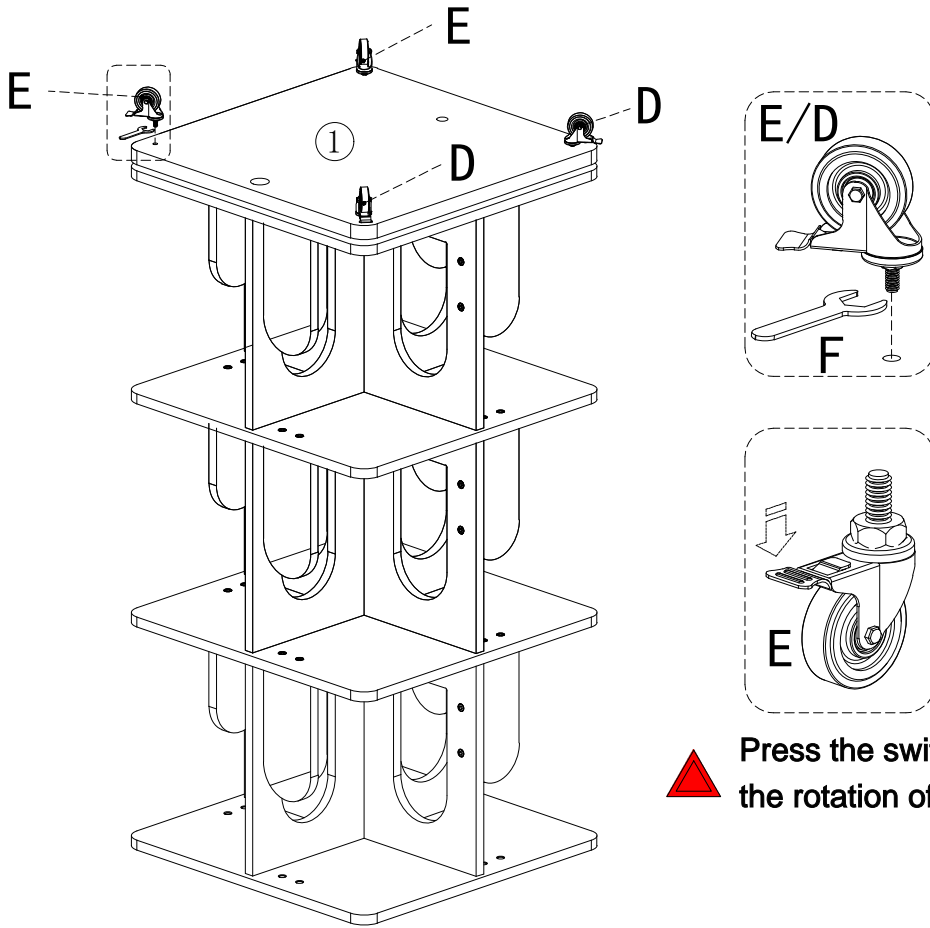
 Rotating part 1 can be assembled.


Assemble the components from Step 6 with parts 1 using hardware C/A.




|          |   |      |
|----------|---|------|
| <b>A</b> |  | 8PCS |
| <b>C</b> |  | 1PC  |

# Model: Bookshelf Rotating 6-Shelf

## Step 8

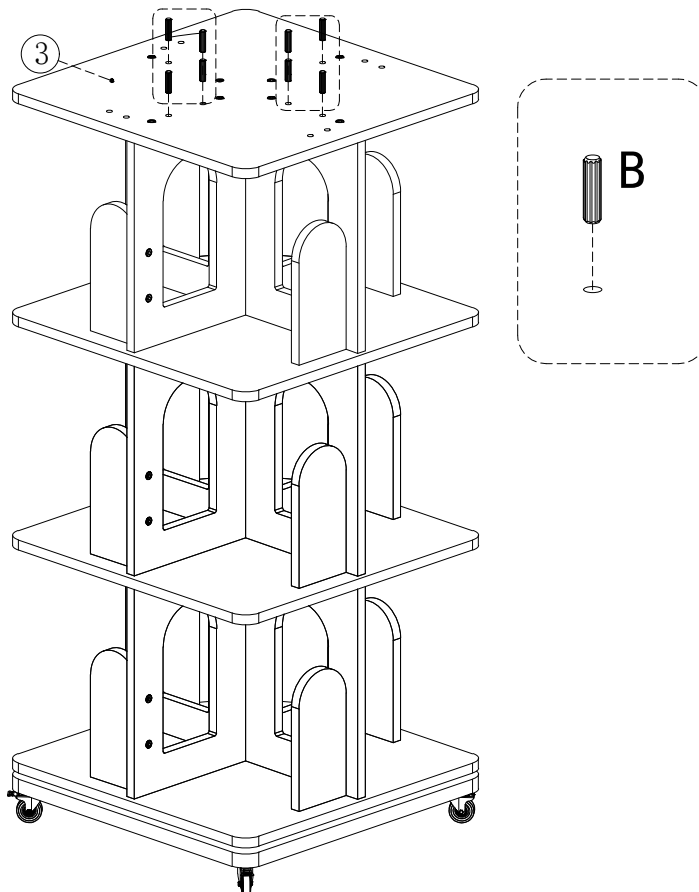


 Press the switch as shown to control the rotation of the casters(E).

|   |   |      |
|---|---|------|
| D |   | 2PCS |
| E |  | 2PCS |
| F |  | 1PC  |


Assemble the part 1 with hardware D/E using hardware F.

## Step 9



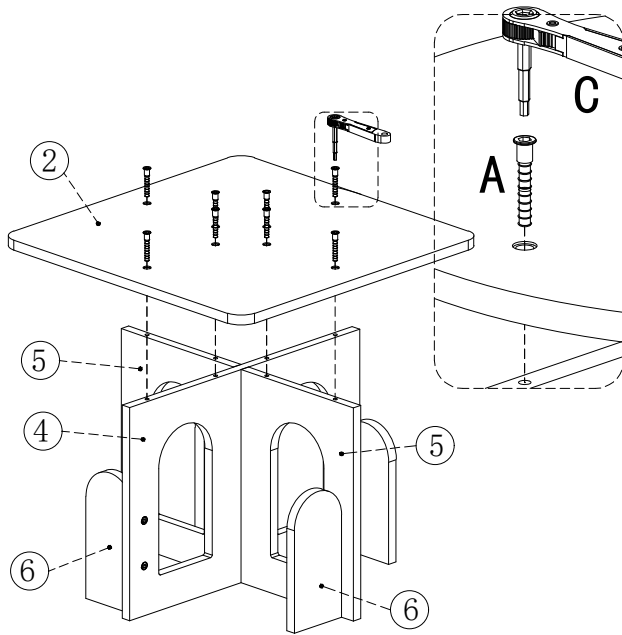
Flip the components from Step 8 over.

Insert hardware B into the holes of the assembled component from Step 8 as shown.

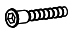

|   |   |      |
|---|---|------|
| B |  | 8PCS |
|---|---|------|

# Model: Bookshelf Rotating 6-Shelf

## Step 10

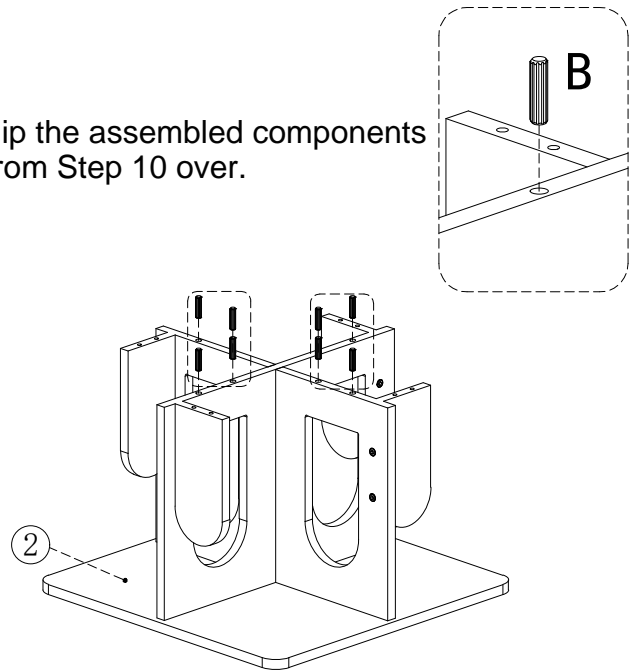


Assemble the components from Step 1/Step 2 with parts 2 using hardware C/A.

|          |   |      |
|----------|---|------|
| <b>A</b> |  | 8PCS |
| <b>C</b> |  | 1PC  |

## Step 11

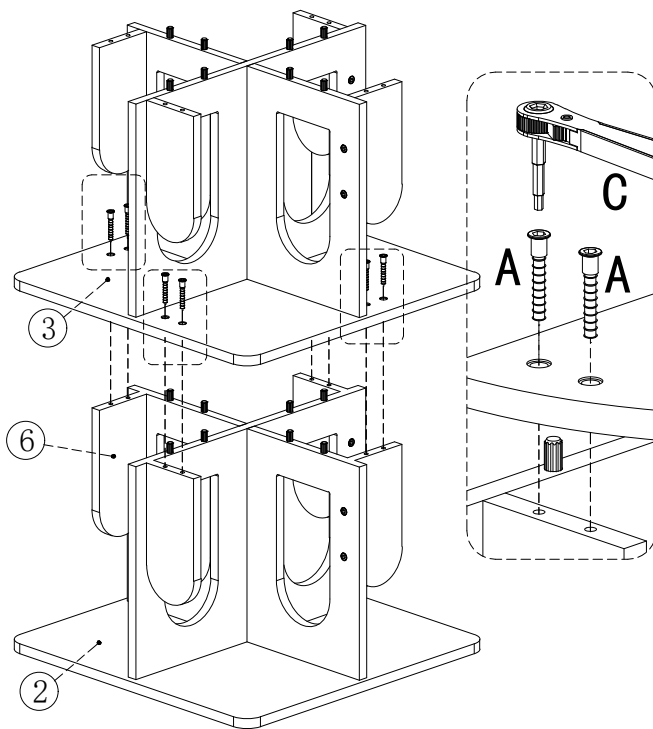
Flip the assembled components from Step 10 over.



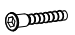

Insert hardware B into the holes of the assembled component from Step 10 as shown.

|          |   |       |
|----------|---|-------|
| <b>B</b> |  | 32PCS |
|----------|---|-------|

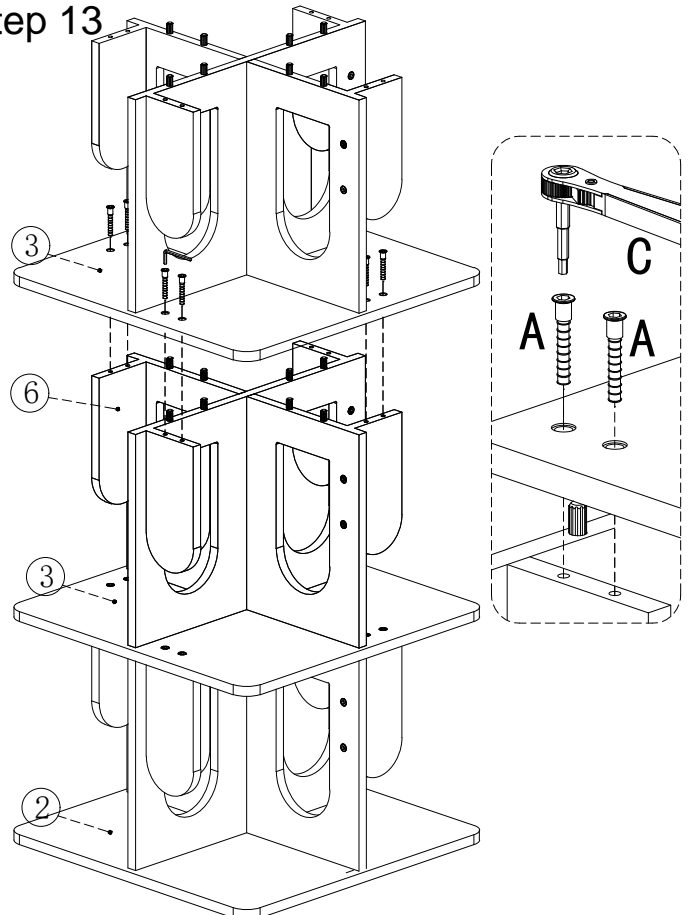
## Step 12





Assemble the components from Step 4 and Step 11 using hardware C/A.

|          |   |      |
|----------|---|------|
| <b>A</b> |  | 8PCS |
| <b>C</b> |  | 1PC  |

## Step 13



Assemble the components from Step 4 and Step 12 using hardware C/A.

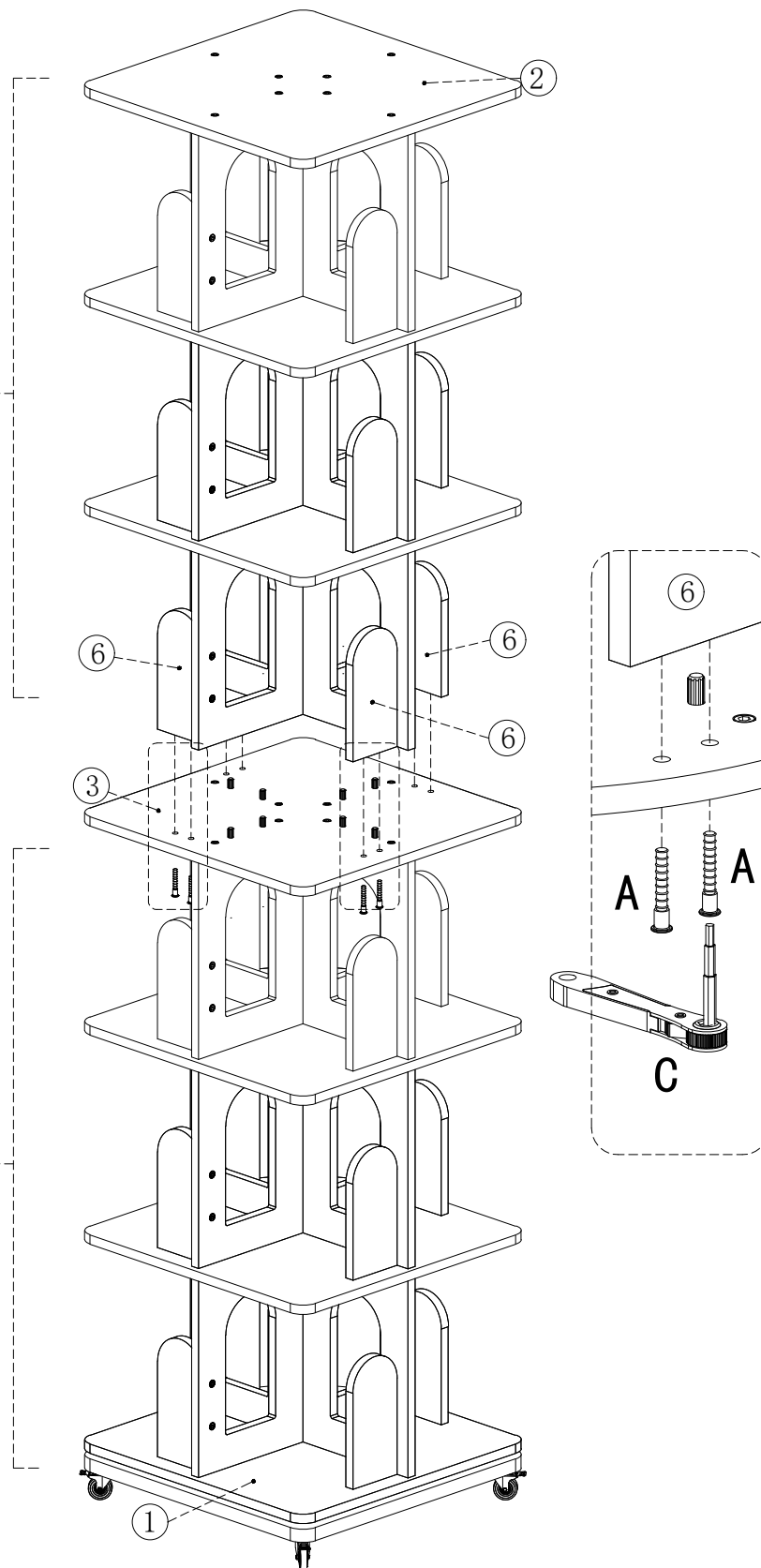
|          |   |      |
|----------|---|------|
| <b>A</b> |  | 8PCS |
| <b>C</b> |  | 1PC  |

# Model: Bookshelf Rotating 6-Shelf

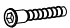

## Step 14

Assembled components in Step 13

Assembled components in Step 9



Flip the assembled component from Step 13 over, and align it with the holes on the assembled component from Step 9. Assemble them using hardware C/A.

|          |   |      |
|----------|---|------|
| <b>A</b> |  | 8PCS |
| <b>C</b> |  | 1PC  |