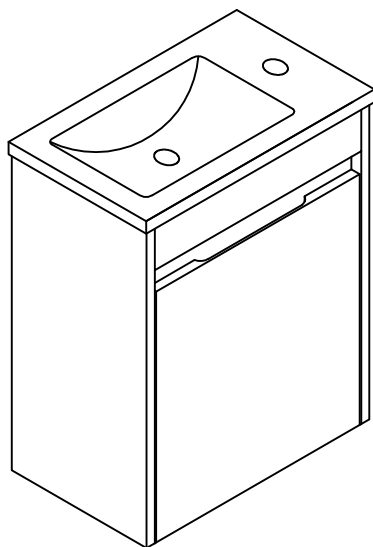


# ASSEMBLY INSTRUCTION



# IMPORTANT NOTICE

## **Workspace Safety**

Keep the workspace clear of clutter and ensure it's well-lit. A clean, flat surface is essential.

## **Read Instructions**

Read the entire assembly guide before starting. Skipping steps can compromise safety.

## **Use Proper Tools**

Use the tools provided or recommended. Avoid overtightening screws.

## **Secure Furniture**

Anchor tall or heavy furniture to the wall to prevent tipping. This is crucial in homes with children or pets.

## **Handle Small Parts**

Keep small parts away from children and pets to avoid choking hazards.

## **Get Help**

Don't hesitate to ask for help with heavy or complex pieces.

## **Inspect Regularly**

Periodically check for loose screws or wobbly parts and tighten as needed.

Follow these tips for a safe assembly process.

# CARE AND CLEANING

Many cleaners contain abrasive and chemical substance which is not suitable for cleaning stainless steel, enamel, plating or plastic products. You may use mild cleansers or soaps to clean the surfaces. Wipe any splashes of cleaner solutions from the surface with a clean soft cloth.

Maintain ventilation in the bathroom and separate the dry area from the damp one if conditions permit. Try to open the door and windows of the bathroom to maintain adequate ventilation.

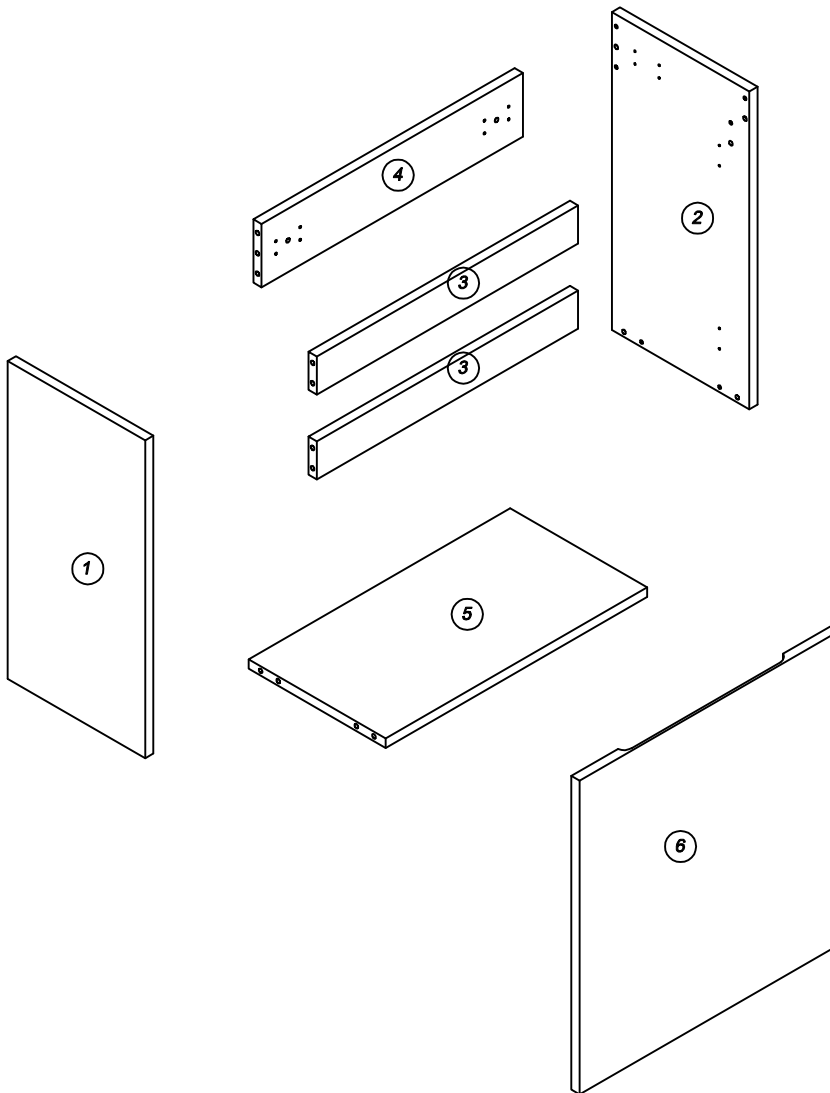
This cabinet is built to withstand normal bathroom humidity. For best results, keep this vanity dry and take necessary steps to minimize bathroom humidity by opening windows and doors and using the exhaust fan (if available).

To maintain the cabinet door, clean and wipe the door regularly with a soft cloth. Wipe condensation with a dry, soft cloth. Keep away from high temperatures.

Please do not sit, lean or step on the basin cabinet.

# ASSEMBLY DIAGRAM

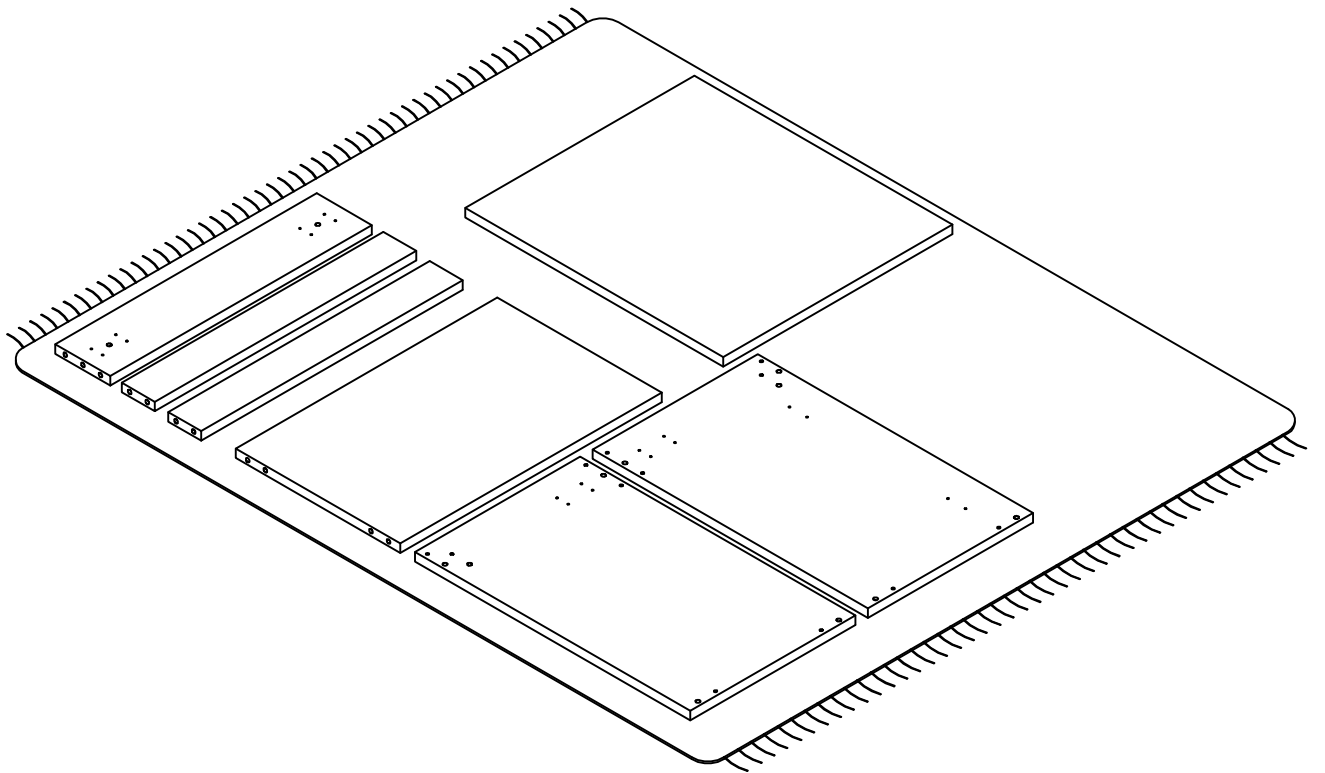
1. Refer to the exploded view below for the approximate location of each component.
2. Each part is labeled for easy identification.
3. Follow the assembly instructions carefully to ensure proper installation.



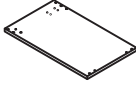
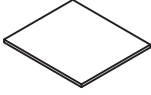
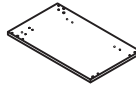





## PRE-ASSEMBLY PREPARATION


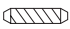


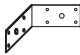







Before assembly, place all furniture parts on a soft surface, such as a blanket or the original packaging cardboard, to prevent damage to the floor or components from accidental drops and to avoid scratching the surfaces.



# PARTS LIST

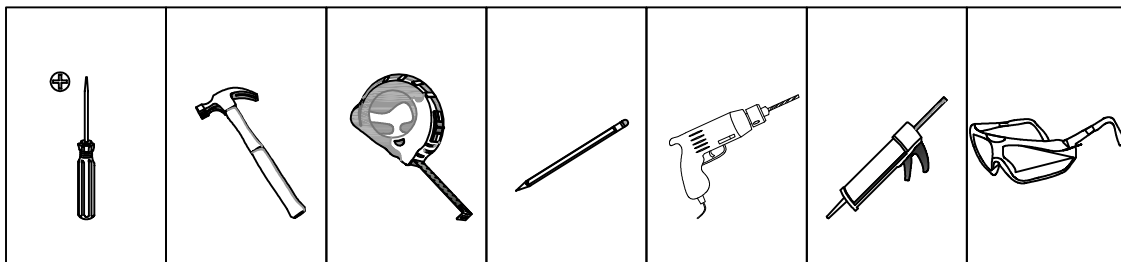
No.	Description	QTY	No.	Description	QTY
1		1	6		1
2		1			
3		2			
4		1			
5		1			

# HARDWEAR LIST

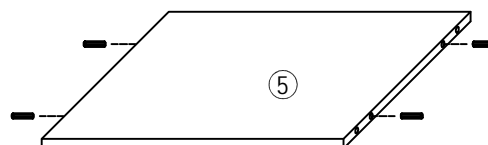
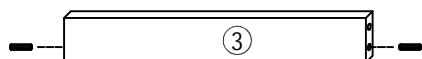
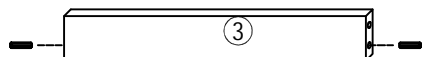
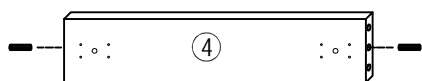
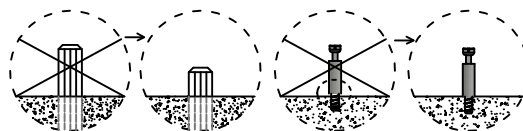
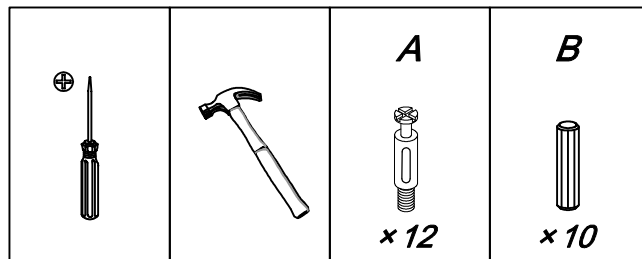
No.	Description	QTY
A		12
B		10
C	 Screws ST4x14	28
D		2
E		2
F	 Screws For Fix on  The Wall ST6x60	2
G		1
H	   	1

**CAUTION:**Please confirm the parts list before installtion

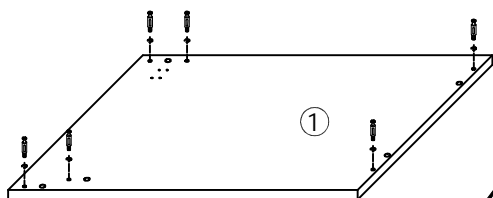
# YOU MAY NEED (NOT SUPPLIED)



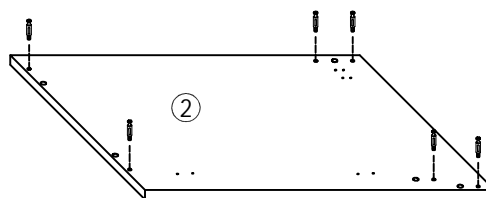
1



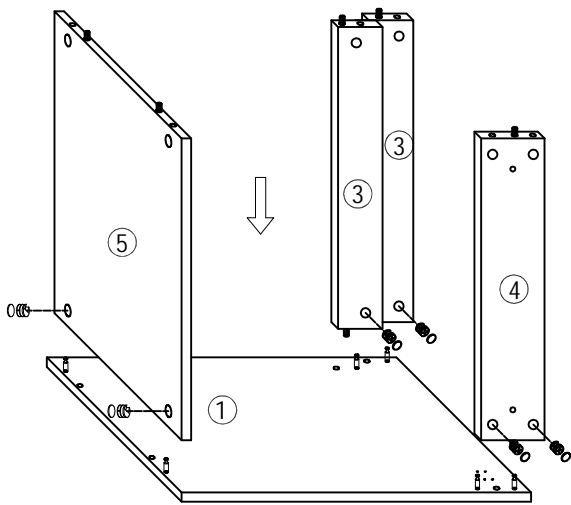
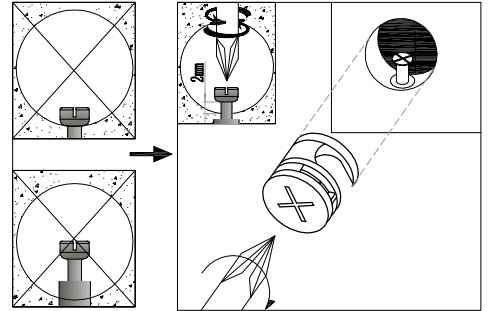
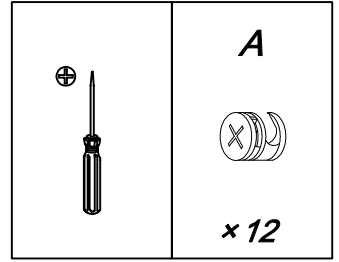
$B \times 10$



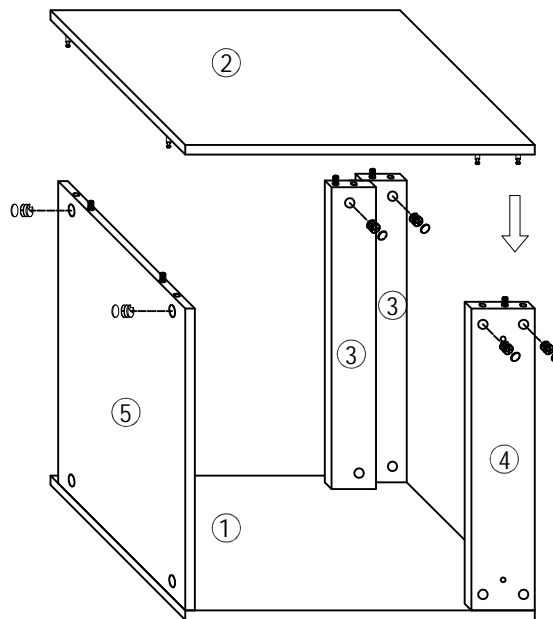
$A \times 12$



2


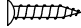
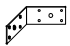
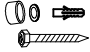


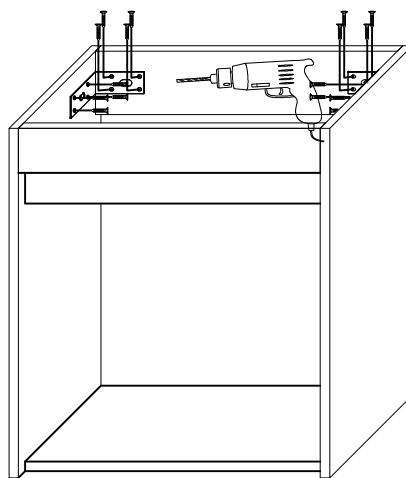
**A x 6**



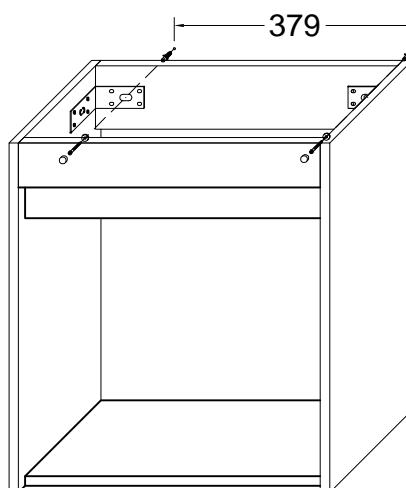
**A x 6**

3

	<b>C</b>  M4×14mm <b>x 16</b>	<b>E</b>  <b>x 2</b>	<b>F</b>  M6×60mm <b>x 2</b>
---	---	---	--

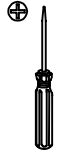
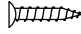
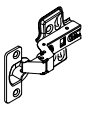


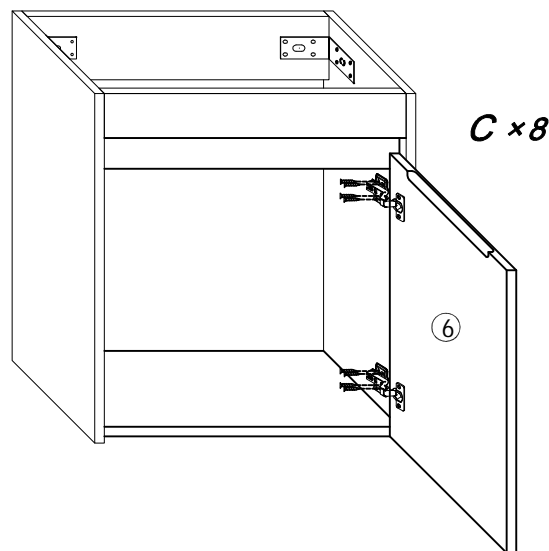
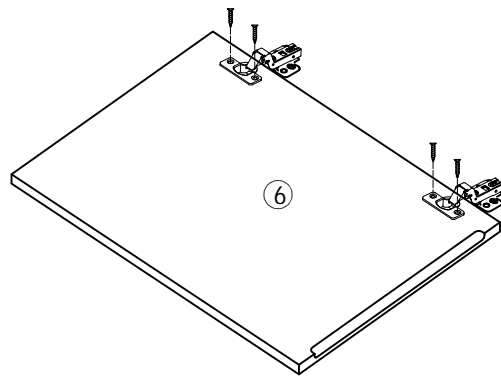
**C x 16**  
**E x 2**



**F x 2**

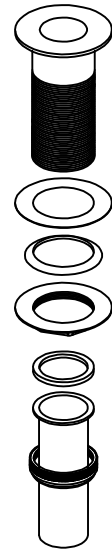
4

	<b>C</b>  M4×14mm <b>x 12</b>	<b>D</b>  <b>x 2</b>
---	---	---

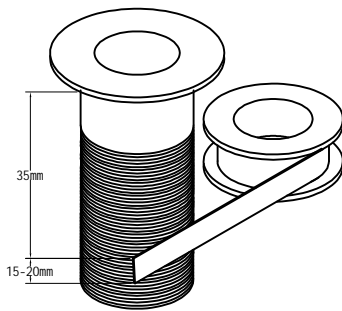


# 5

- Take apart the pop up drain and put the thin rubber washer at the top of body.



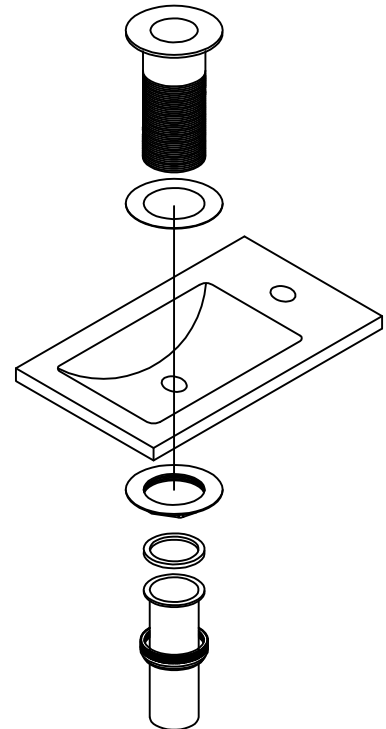
# 6



- Apply the thread seal tape and binds five or six laps around the area what the picture shows.
- (Thread seal tape five or six laps)

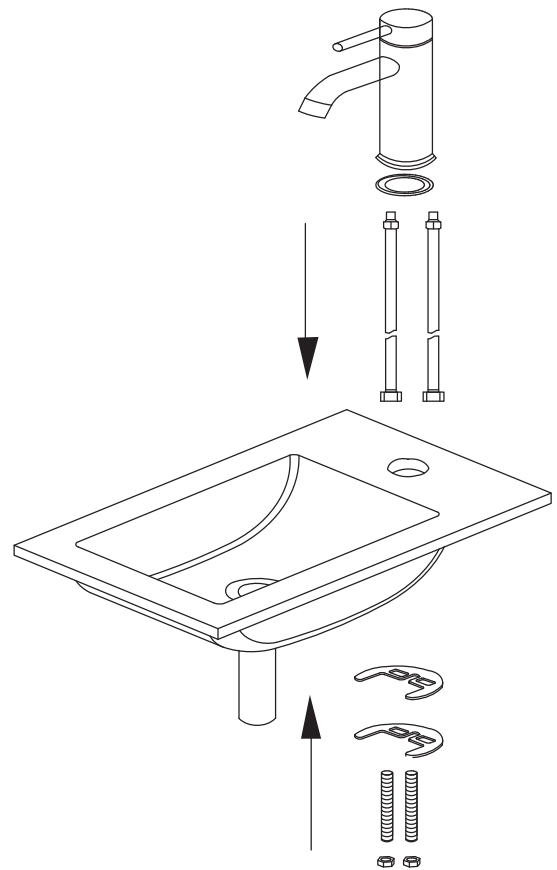
# 7

- Insert the drain top into the vessel. Install thick rubber washer and drain nut in turn. Tighten the drain nut and then tail piece.



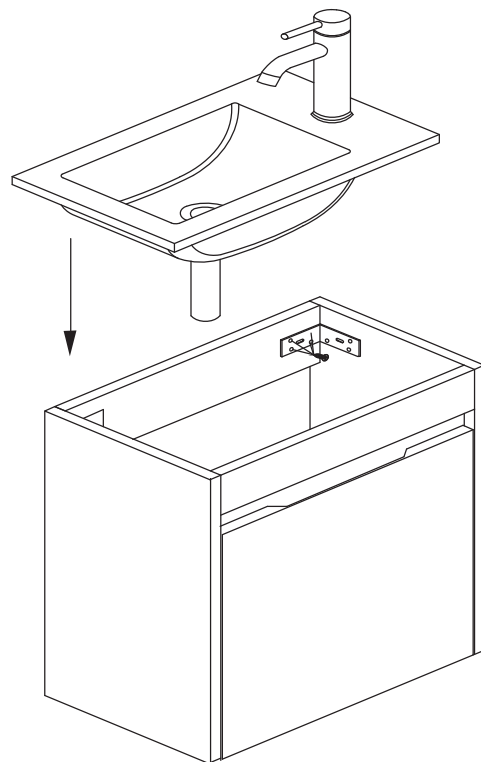
# 8

- Position the gasket under the faucet. Connect the hot and cold water pipes to the faucet. Insert the faucet into the hole. Install the rubber gasket, then the metal gasket, then the fixing bolts. Tighten the fixing bolts.



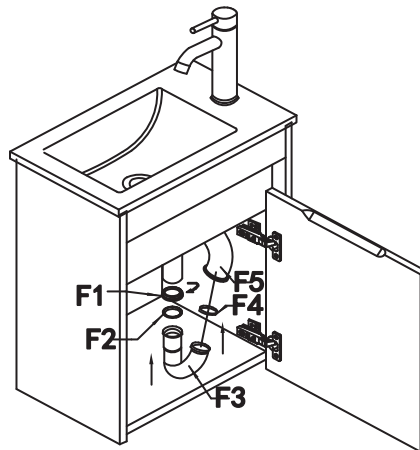
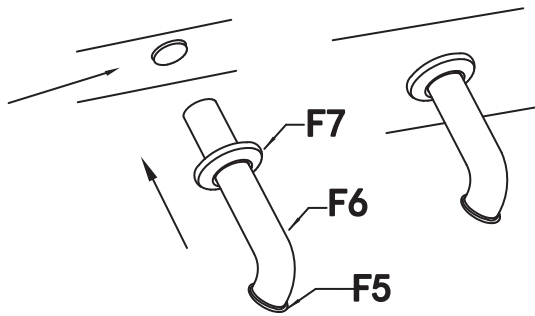
# 9

- Carefully position the vessel on the tabletop and press down firmly. Immediately wipe away any excess sealant, and fill any voids as needed.
- CAUTION: please do not remove the vessel before drying and reserve an installation space for the faucet.

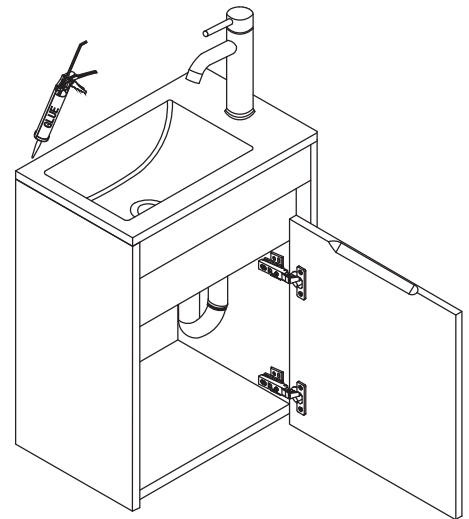


9

Drain Outlet

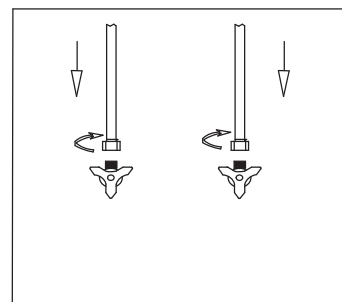


- Combine F1,F2,F3,F4,F5 parts and tighten the nut. Please adjust the P-trap based on your requirement.



10

- Tips: After the installation, please open the drain and faucet for seal test.



# THANK YOU

Thank you for choosing our product. We sincerely hope that the assembly process has been smooth and enjoyable for you.

If you have any questions or suggestions during the use of the product, please feel free to contact us.

