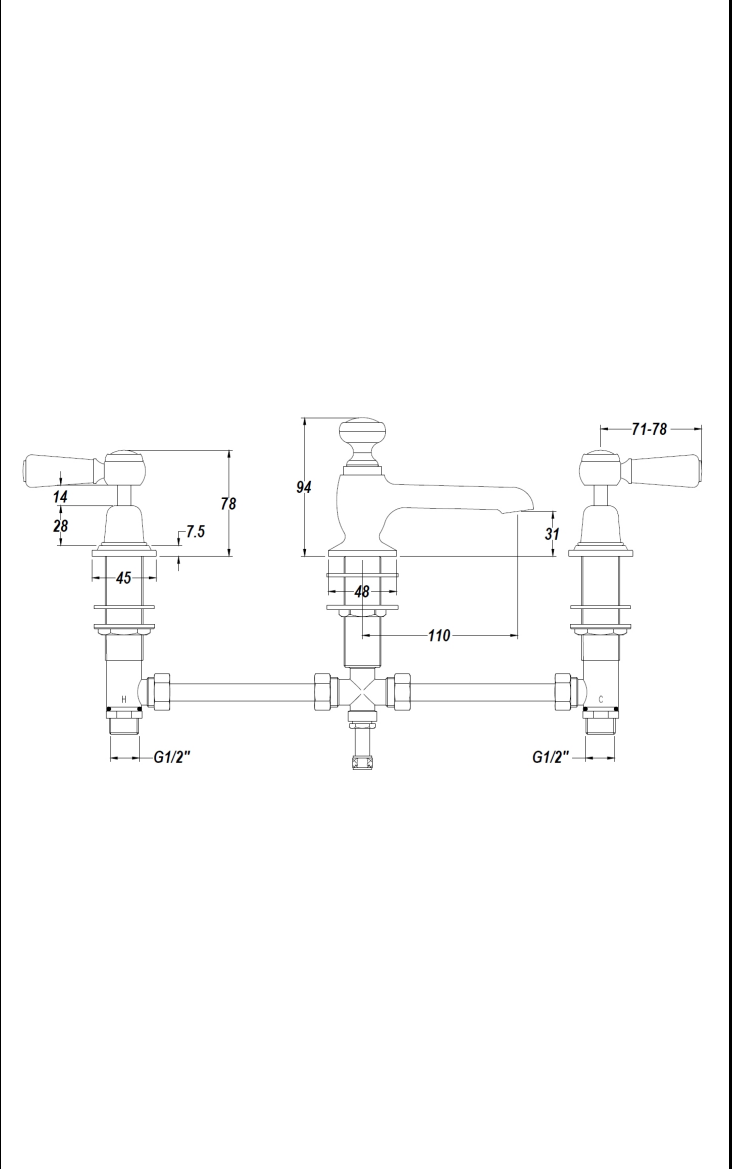


CUSTOMER DATA SHEET - BRASSWARE

DESCRIPTION: Black Lever 3Th Basin Mixer



| PRODUCT DIMENSIONS | | | | |
|--------------------|------------|------------|-------------|-------------|
| Height (mm) | Width (mm) | Depth (mm) | Length (mm) | Nett Wgt Kg |
| 94 | 246 | 140 | | 2.8 |

| PACKAGING DIMENSIONS | | | |
|----------------------|------------|------------|--------------|
| Height (mm) | Width (mm) | Depth (mm) | Gross Wgt Kg |
| 75 | 150 | 430 | 3 |

| PACKAGING DATA | | | |
|----------------|---------------------|--------------|-------------|
| Box Colour | White Cardboard Box | | |
| Box Qty | 1 | Label Colour | White Label |
| Label Size | 100 x 50 | Label Qty | 1 |

| OUTER BOX DIMENSIONS (If Applicable) | | | | |
|--------------------------------------|------------|------------|-------------|--------------|
| Height (mm) | Width (mm) | Depth (mm) | Length (mm) | Gross Wgt Kg |
| 495 | 555 | 290 | | |

| PRODUCT DETAILS | | | |
|--------------------------|-----------------------|--------------|-----|
| Country of Origin | United Kingdom | | |
| Fitting Instruction | Yes | | |
| Product Material | Brass | | |
| Control Type | Manual | | |
| Waste Included | Waste Included | | |
| WRAS Approval | No | Approval No. | N/A |
| Operating Pressure (bar) | 0.1 | | |
| Valve/Cartridge Type | 1/4 Turn Ceramic Disc | | |

| | | | | | | | | | | |
|--------------------|------------------|-----|-----|--|---|------|---|----|---|------|
| Colour/Finish | Chrome | | | | | | | | | |
| Mount Type | Deck | | | | | | | | | |
| Waste Type | Pop-Up | | | | | | | | | |
| Flow Rates (L/min) | 0.1 | 5.6 | 0.5 | | 1 | 20.2 | 2 | 29 | 3 | 35.4 |
| Pipe Size | 15 mm (1/2" Bsp) | | | | | | | | | |
| Pipe Centres | N/A | | | | | | | | | |