


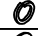
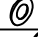

Assembly Instructions

COUNTER TABLE

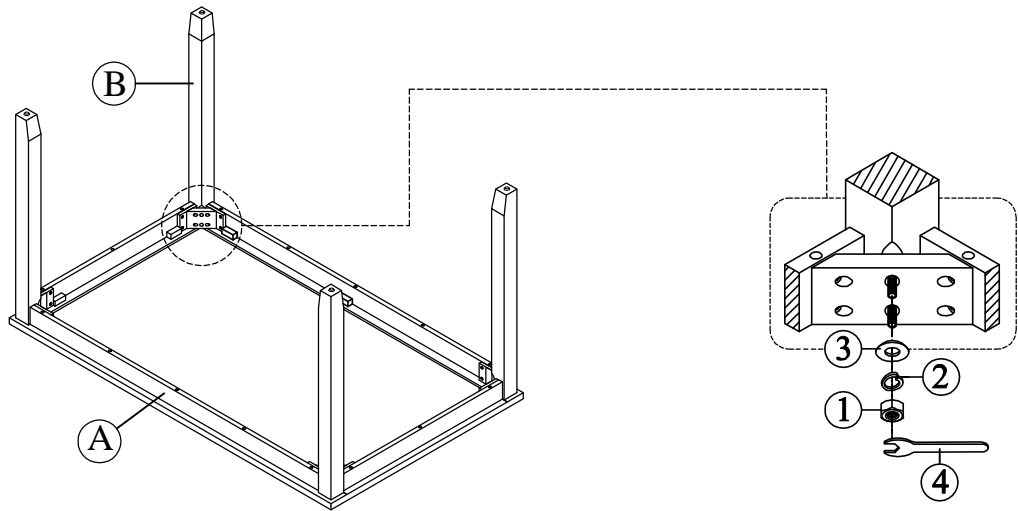
Caution: Please read instructions thoroughly before unpacking assembly parts. Sharp, exposed staple tips can cause injury, therefore, for your protection, please remove any exposed staples used in packing.

1. We recommend that you should assemble this product with the assistance of another person; this will make assembly easier, and will help to eliminate damage to the product or injury to persons during assembly.
2. Be sure to check all packing materials carefully for small parts that may have come loose inside the carton during shipment.
3. Please do not over tighten screws or bolts.
4. Please put all parts on a non-abrasive floor before assembly, and follow the assembly steps to assemble your newly purchased product correctly and efficiently.

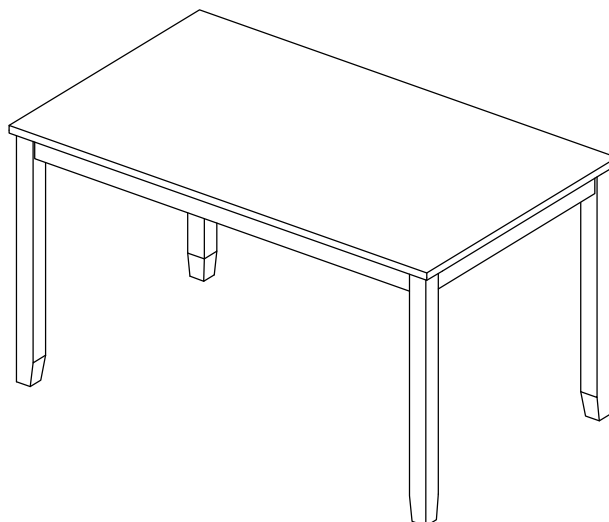
PART LIST FOR DINING TABLE			
No.	PART DESC		Q'TY
A	COUNTER TABLE TOP		1
B	COUNTER TABLE LEG SET (4PCS/ SET)		4

HARDWARE LIST PACKED INSIDE BOX				
No.		HARDWARE DESC		Q'TY
1		NUT (5/16")		8
2		SPRING WASHER (5/16")		8
3		FLAT WASHER (5/16")		8
4		WRENCH (5/16")		1

Step:1



Completed



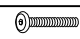
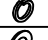

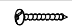
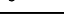
Assembly Instructions

COUNTER BENCH

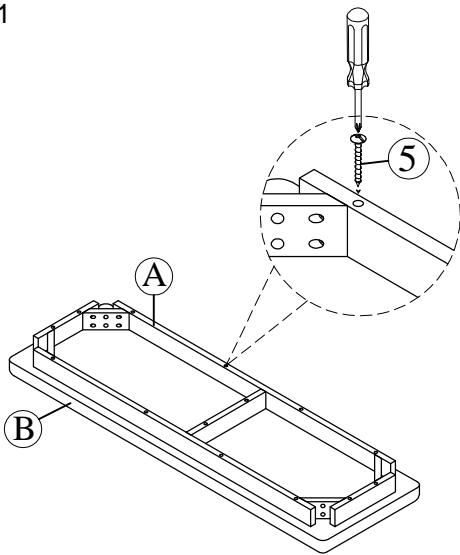
Caution: Please read instructions thoroughly before unpacking assembly parts. Sharp, exposed staple tips can cause injury, therefore, for your protection, please remove any exposed staples used in packing.

1. We recommend that you should assemble this product with the assistance of another person; this will make assembly easier, and will help to eliminate damage to the product or injury to persons during assembly.
2. Be sure to check all packing materials carefully for small parts that may have come loose inside the carton during shipment.
3. Please do not over tighten screws or bolts.
4. Please put all parts on a non-abrasive floor before assembly, and follow the assembly steps to assemble your newly purchased product correctly and efficiently.

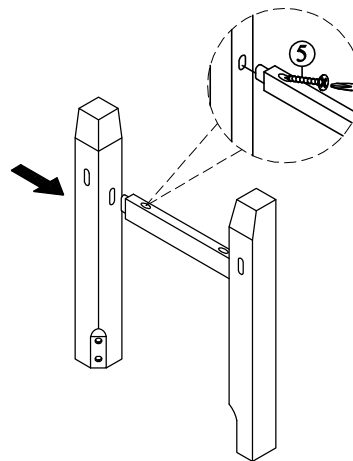
PART LIST FOR COUNTER BENCH			
No.	PART DESC	CODE.	Q'TY
A	COUNTER BENCH WOOD SEAT FRAME	PDMT3006CBSEA	1
B	COUNTER BENCH WOOD SEAT CUSHION		
C	COUNTER BENCH LEFT / RIGHT LEG SET	PDMT3006CBLEG	4
D	COUNTER BENCH LEFT / RIGHT SIDE STRETCHER	PDMT3006CBSTR1	2
E	COUNTER BENCH FRONT / BACK SIDE STRETCHER	PDMT3006CBSTR2	2

HARDWARE LIST PACKED INSIDE BOX			
No.	HARDWARE DESC	CODE.	Q'TY
1	 ALLEN BOLT (5/16" x 60mm)	PDMT3006CSHW3	8
2	 SPRING WASHER (5/16")		8
3	 FLAT WASHER (5/16")		8
4	 ALLEN KEY (M4)		1
5	 SCREWS (M4x50mm)		22

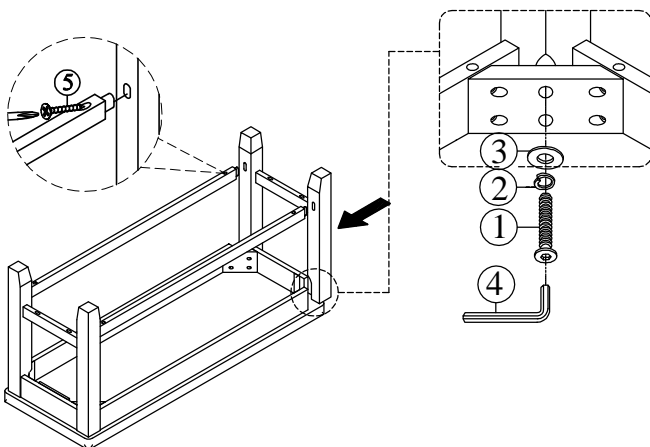
STEP:1



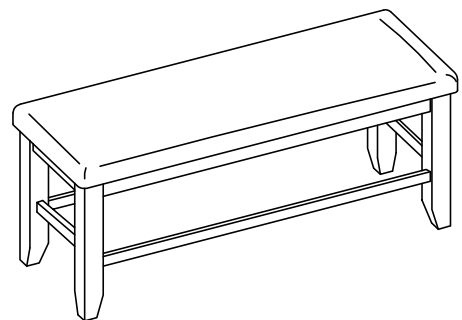
STEP:2



STEP:3



COMPLETED

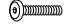



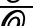
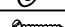
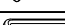



Assembly Instructions COUNTER SIDE CHAIR

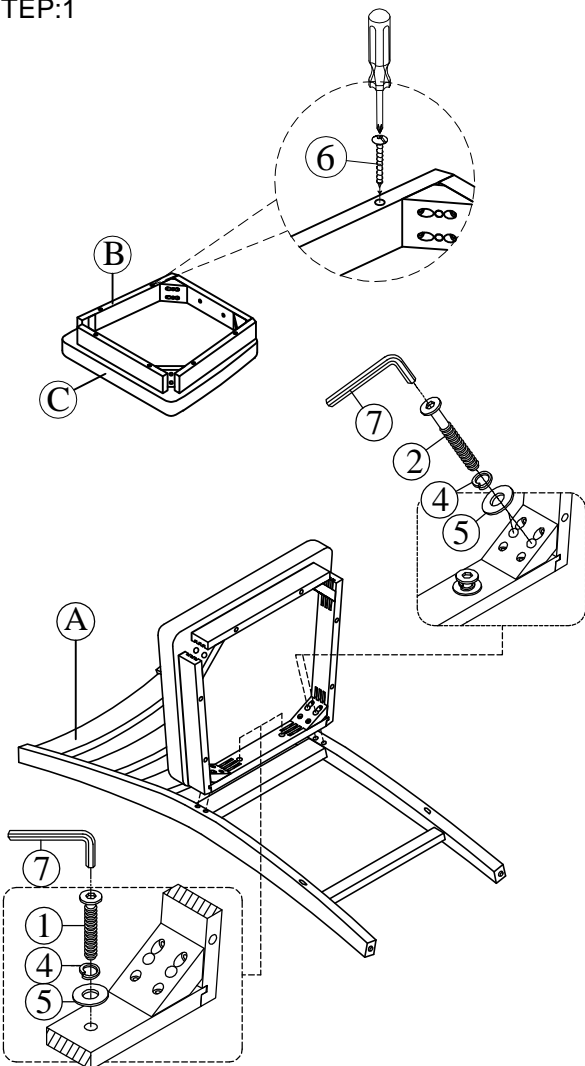
Caution: Please read instructions thoroughly before unpacking assembly parts. Sharp, exposed staple tips can cause injury, therefore, for your protection, please remove any exposed staples used in packing.

1. We recommend that you should assemble this product with the assistance of another person; this will make assembly easier, and will help to eliminate damage to the product or injury to persons during assembly.
2. Be sure to check all packing materials carefully for small parts that may have come loose inside the carton during shipment.
3. Please do not over tighten screws or bolts.
4. Please put all parts on a non-abrasive floor before assembly, and follow the assembly steps to assemble your newly purchased product correctly and efficiently.

PART LIST FOR COUNTER SIDE CHAIR			
No.	PART DESC	CODE.	Q'TY
A	COUNTER SIDE CHAIR BACK FRAME	PDMT3006CSCBFR	1
B	COUNTER SIDE CHAIR SEAT FRAME	PDMT3006CSCSEA	1
C	COUNTER SIDE CHAIR SEAT CUSHION		
D	COUNTER SIDE CHAIR FRONT LEG L / R	PDMT3006CSLEG2	2
E	COUNTER SIDE CHAIR SIDE STRETCHER L / R	PDMT3006CSCSTR	2
F	COUNTER SIDE CHAIR FRONT STRETCHER	PDMT3006CSCSTR1	1

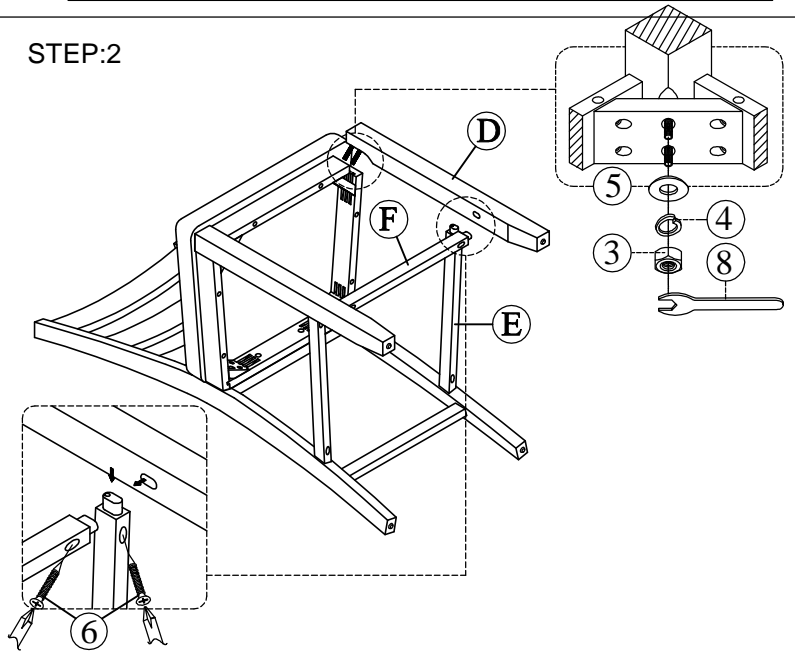
HARDWARE LIST PACKED INSIDE BOX			
No.	HARDWARE DESC	CODE.	Q'TY
1	 ALLEN BOLT (1/4" x 40mm)	PDMT3006CSHW2	2
2	 ALLEN BOLT (1/4" x 75mm)		4
3	 NUT (5/16")		4
4	 SPRING WASHER (5/16")		10
5	 FLAT WASHER (5/16")		10
6	 SCREWS (M4x38mm)		12
7	 ALLEN KEY (M4)		1
8	 WRENCH (5/16")		1

STEP:1



DATE: 06-12-2018

STEP:2



COMPLETED

