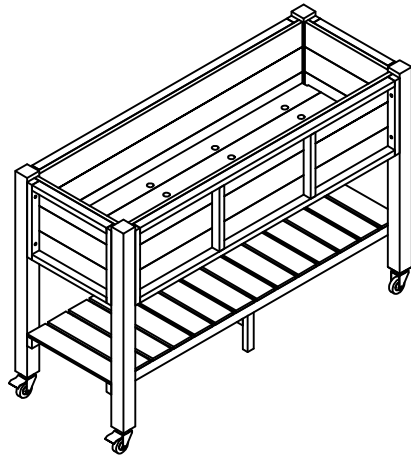


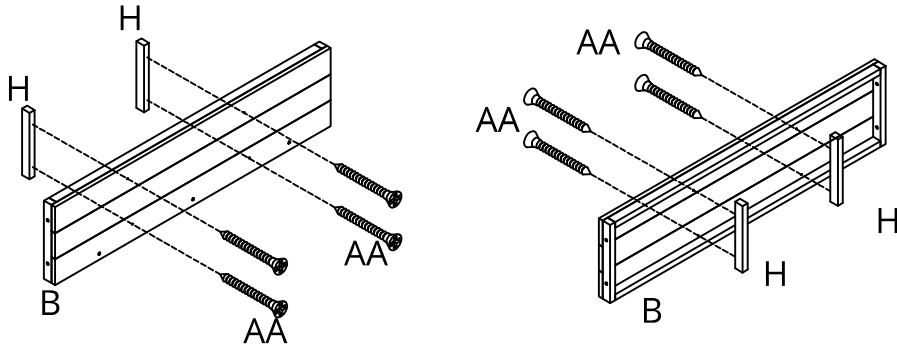
IMPORTANT, RETAIN FOR FUTURE REFERENCE: READ CAREFULLY



A		2PCS	G		2PCS
			H		4PCS
B		2PCS	I		1PC
			J		1PC
C		2PCS	AA	 Screw (4*25)	8PCS
			BB	 Screw (4*40)	4PCS
			CC	 Bolt (M5*35)	2PCS
D		2PCS	DD	 Bolt (M6*35)	28PCS
			EE		2PCS
E		1PC	FF		2PCS
F		1PC		 ⊕ Phillips Screwdriver (not included)	

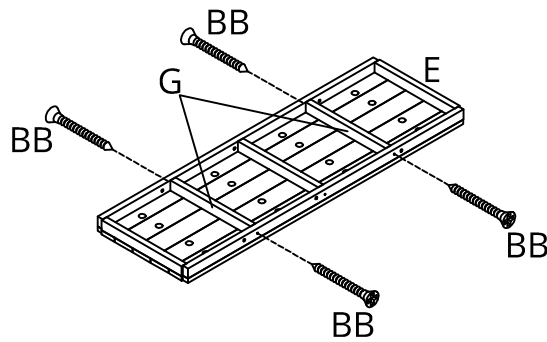
1

B *2PCS
H *4PCS
AA *8PCS



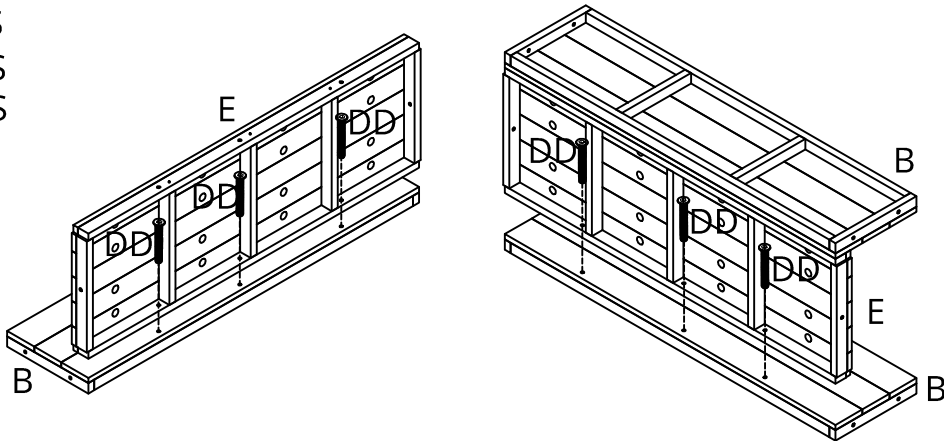
2

E *1PCS
G *2PCS
BB *4PCS



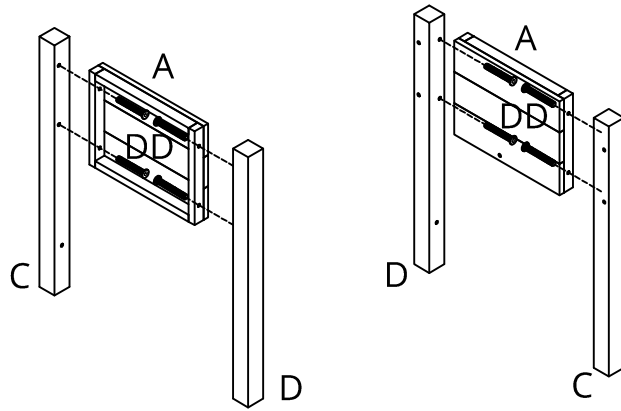
3

E *1PCS
B *2PCS
DD *6PCS



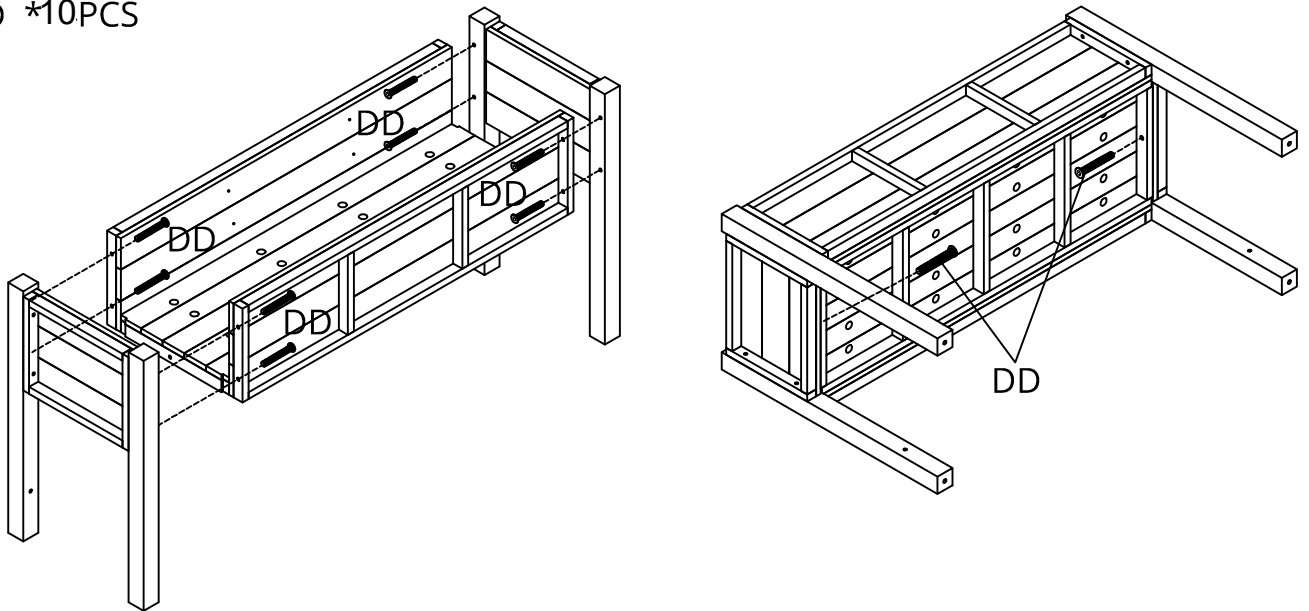
4

- A *2PCS
- C *2PCS
- D *2PCS
- DD *8PCS



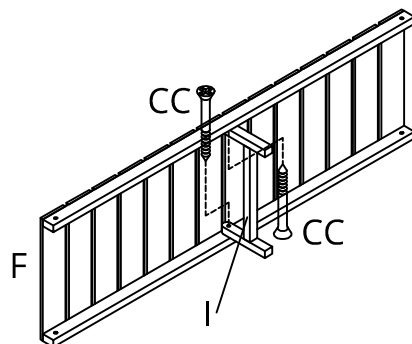
5

- DD *10PCS



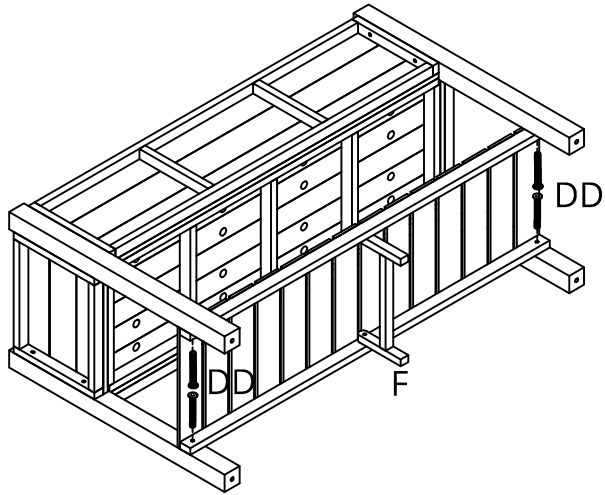
6

- F *1PCS
- I *1PCS
- CC *2PCS



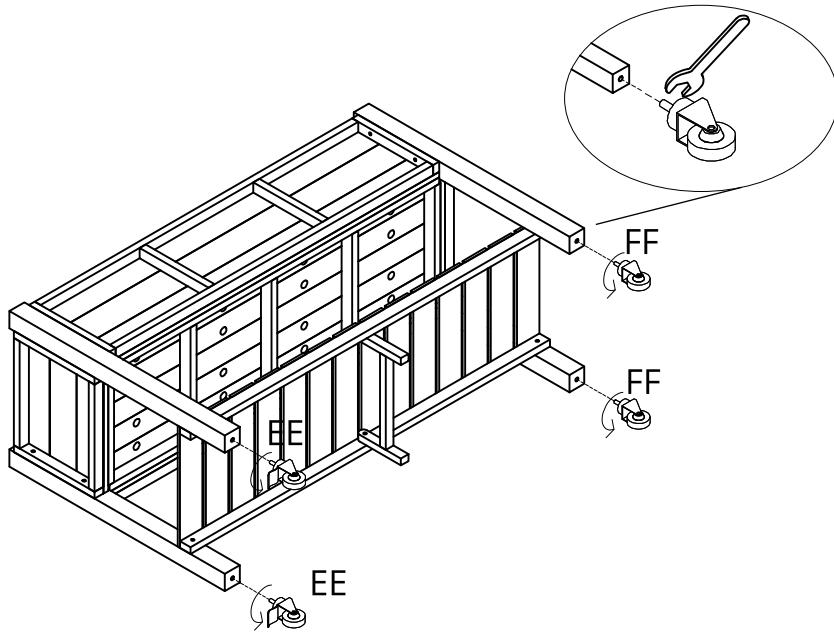
8

F *1PCS
DD *4PCS



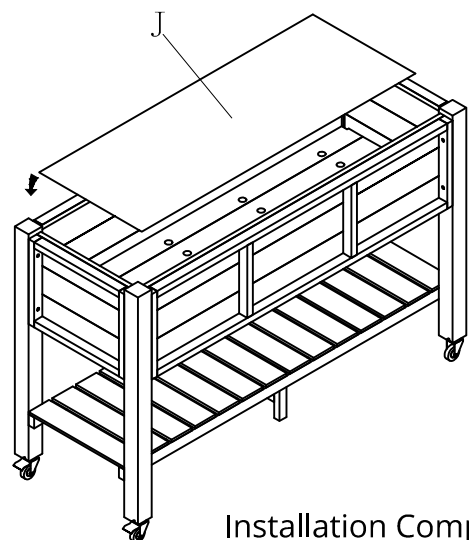
8

EE *2PCS
FF * 2PCS



9

J *1PCS



Installation Completed