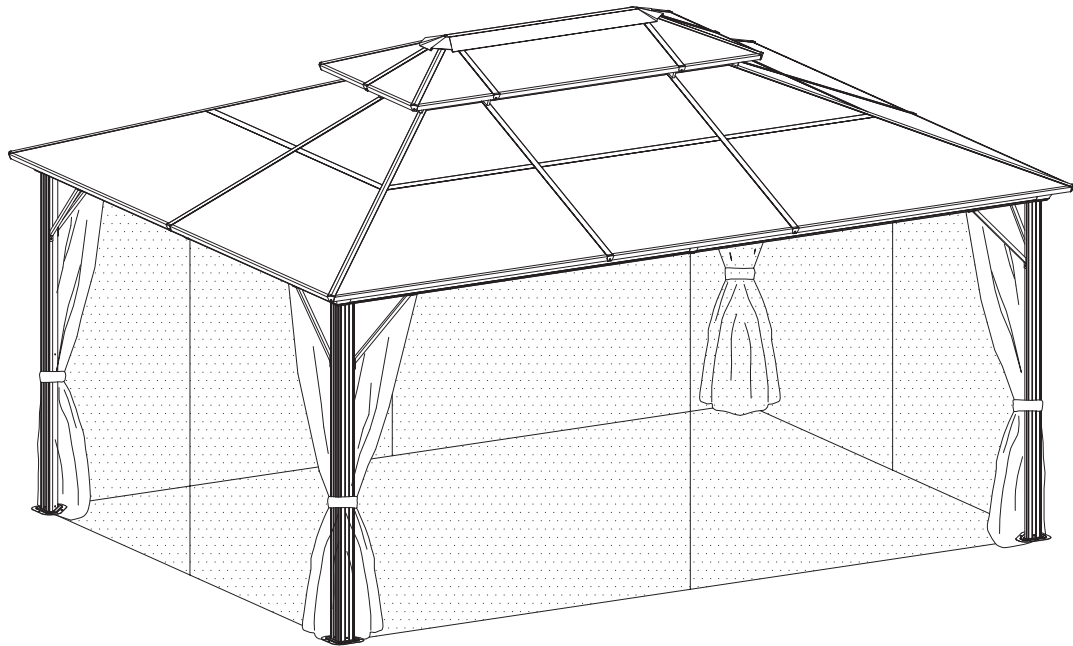


# 3.65 x 4.85 M

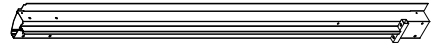
□ □ □ □ □ □ □ □ □ YS 1029 □ □ □ □ □ □ □ □ □



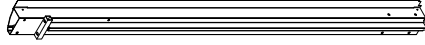
Tel: +1 (888) 857-8979  
Email: [info@garvee.com](mailto:info@garvee.com)



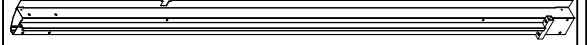
A 4x



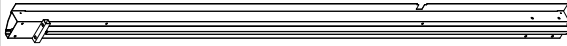
B 2x



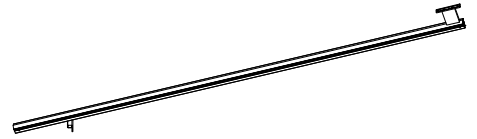
B1 2x



C 2x



C1 2x



D 4x



D1 4x



E 6x



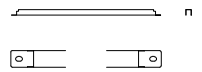
E1 6x



D3 4x



D4 4x



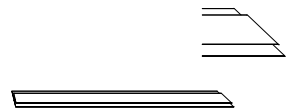
D5 2x



F 2x



F1 4x



F2 4x



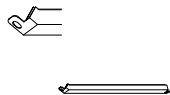
G 4x



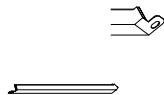
G1 4x



G2 4x



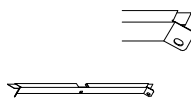

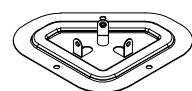
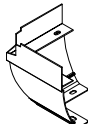

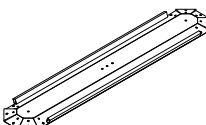
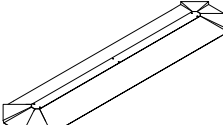


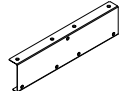
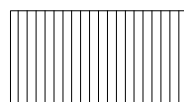
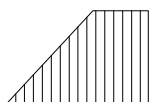
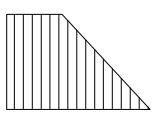
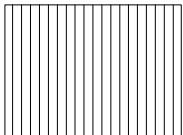
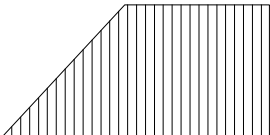
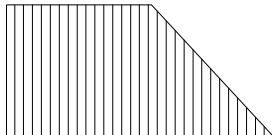
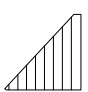
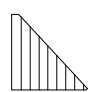
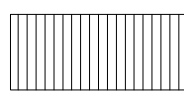
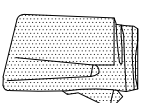


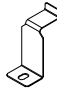







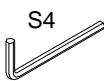
G3 4x



G4 4x



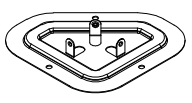
G6 2x

			
G5 2x	H 12x	J 4x	K 4x
			
K1 4x	L 1x	M 1x	N 12x
			
N1 12x	P 4x	Q 2x	Q1 4x
			
Q2 4x	R 2x	R1 4x	R2 4x
			
R3 4x	R4 4x	R5 2x	S 4x
			
T 4x	U 128x	V 4x	P1 4x
			
M6x15 1 177x	M6x35 2 16x	M5x12 3 4x	ST4.8x12 4 24x
			
5 2x	9 12x	S4 1x	

<1>



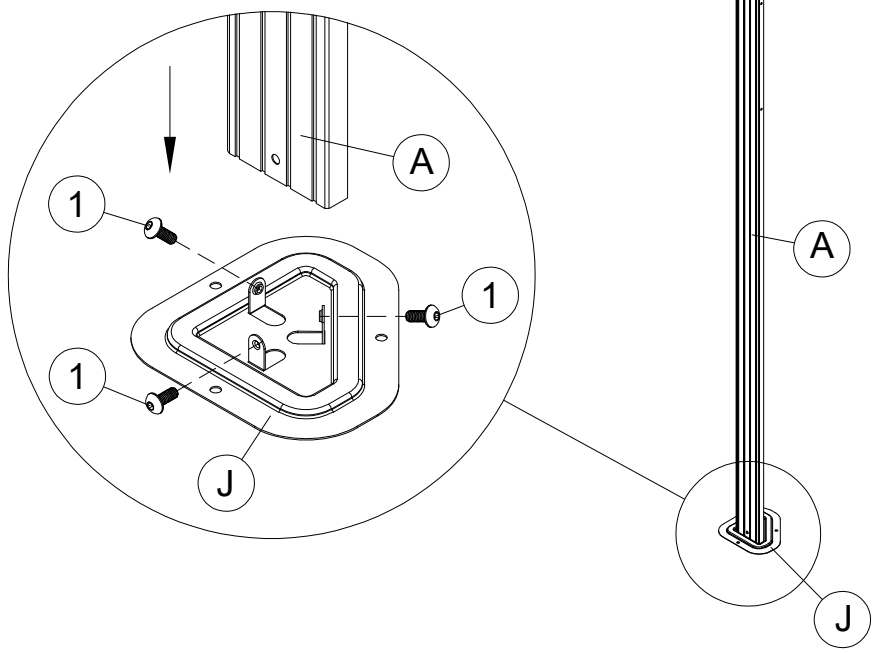
A 4x



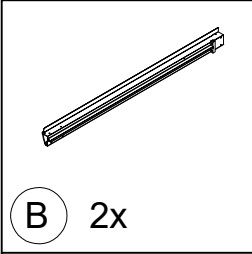
J 4x



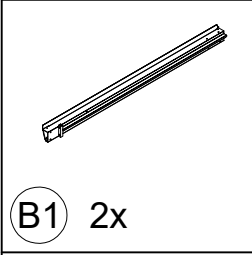
1 12x M6x15



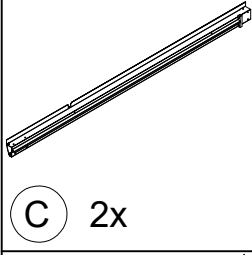
<2>



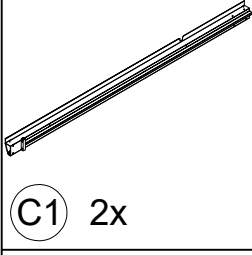
B 2x



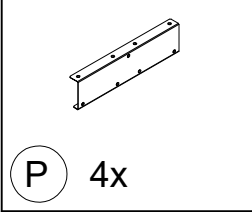
B1 2x



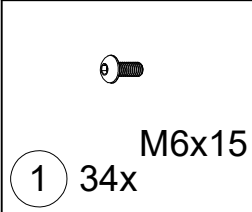
C 2x



C1 2x



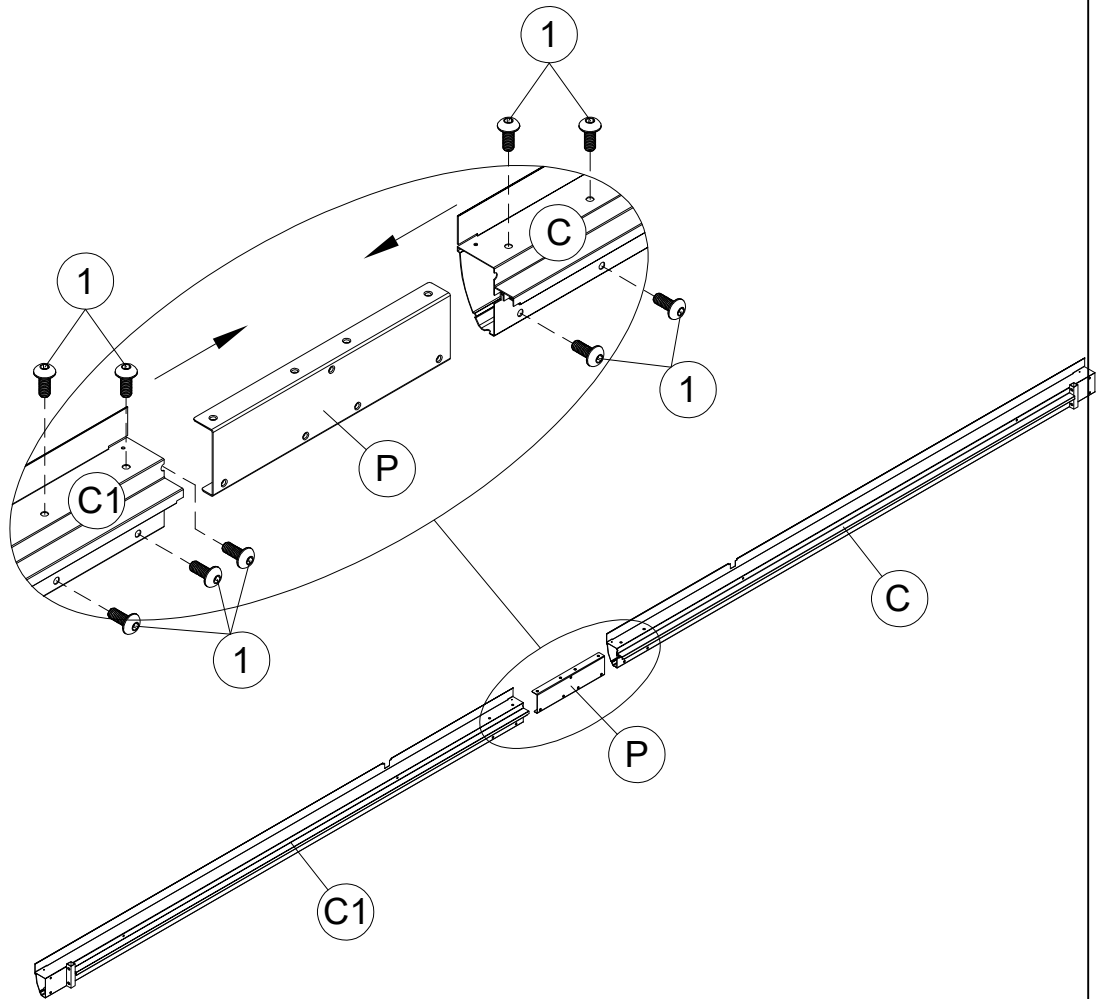
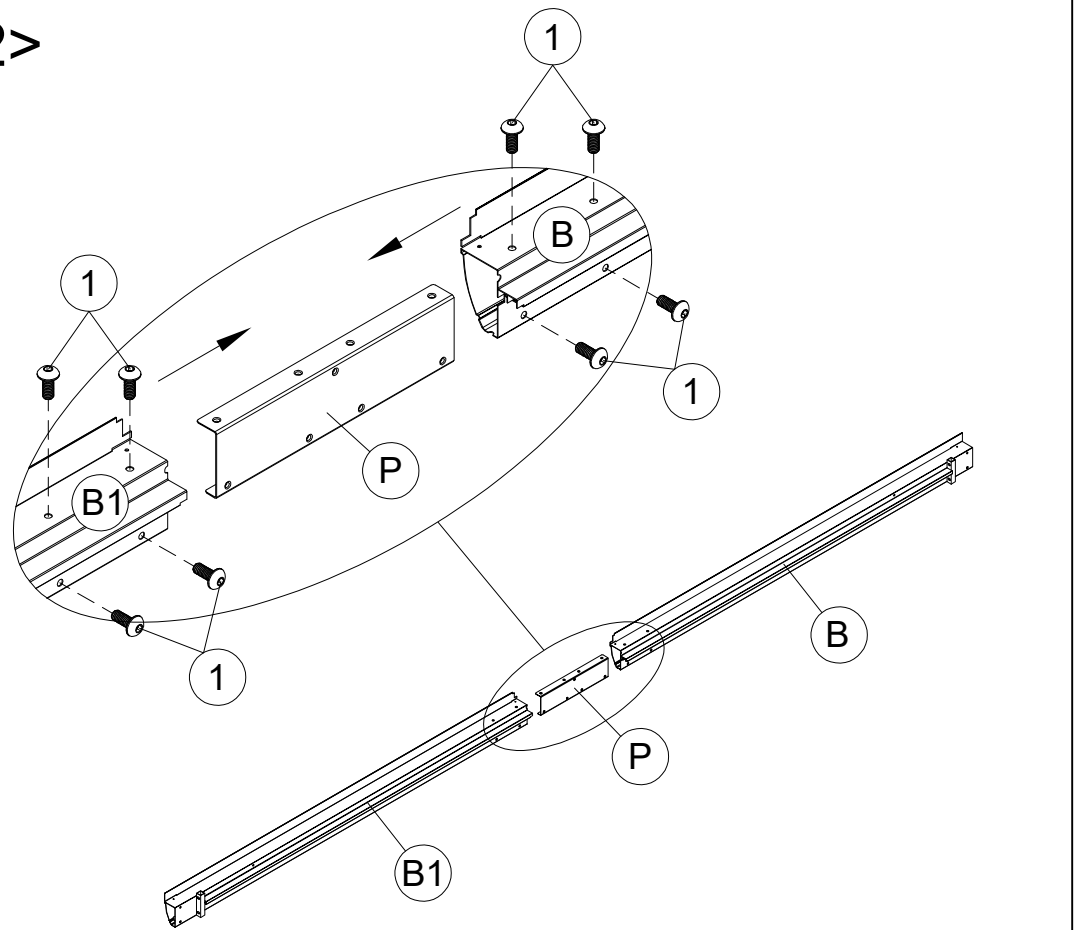
P 4x



1 34x M6x15



5



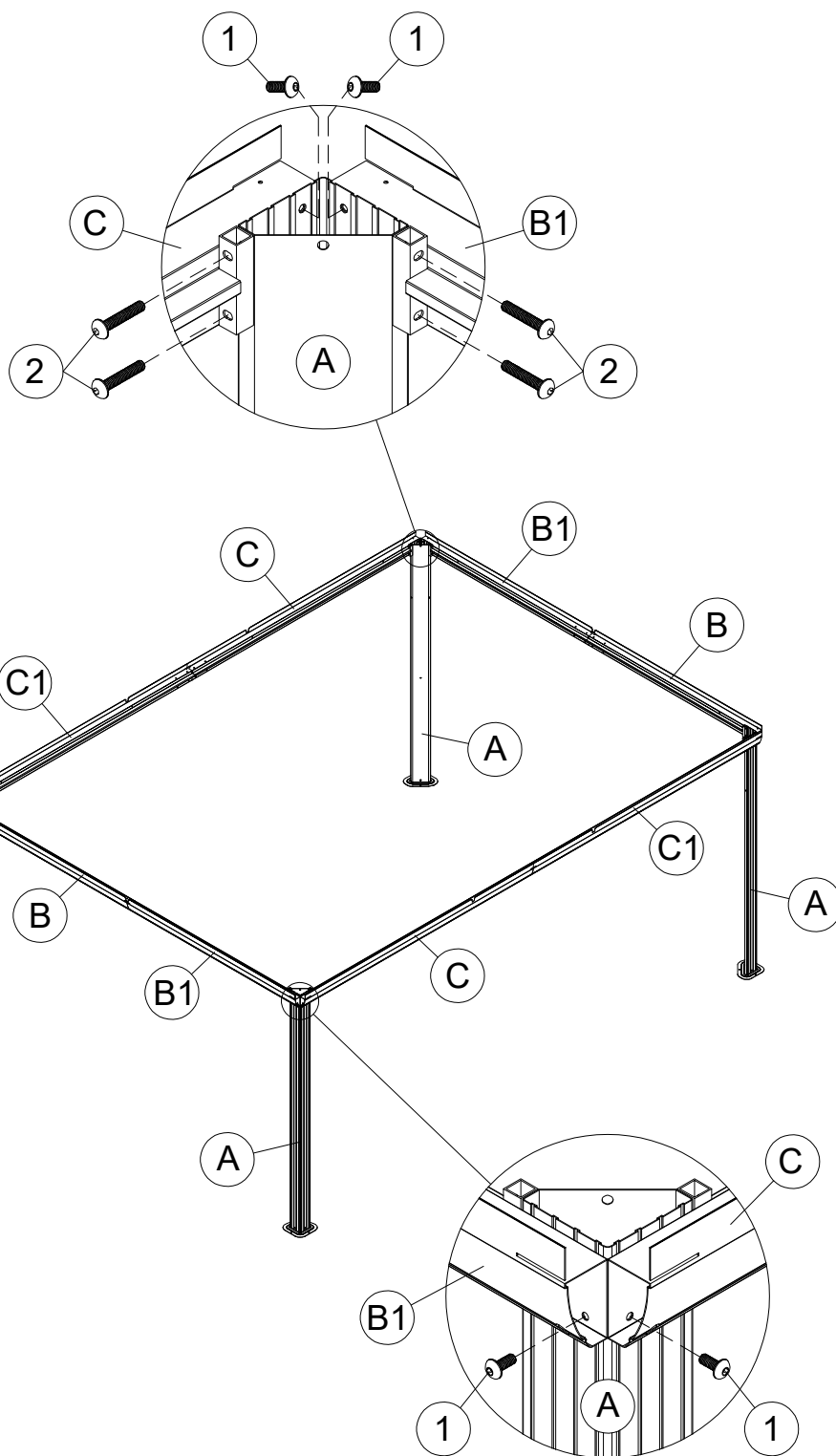


<3>

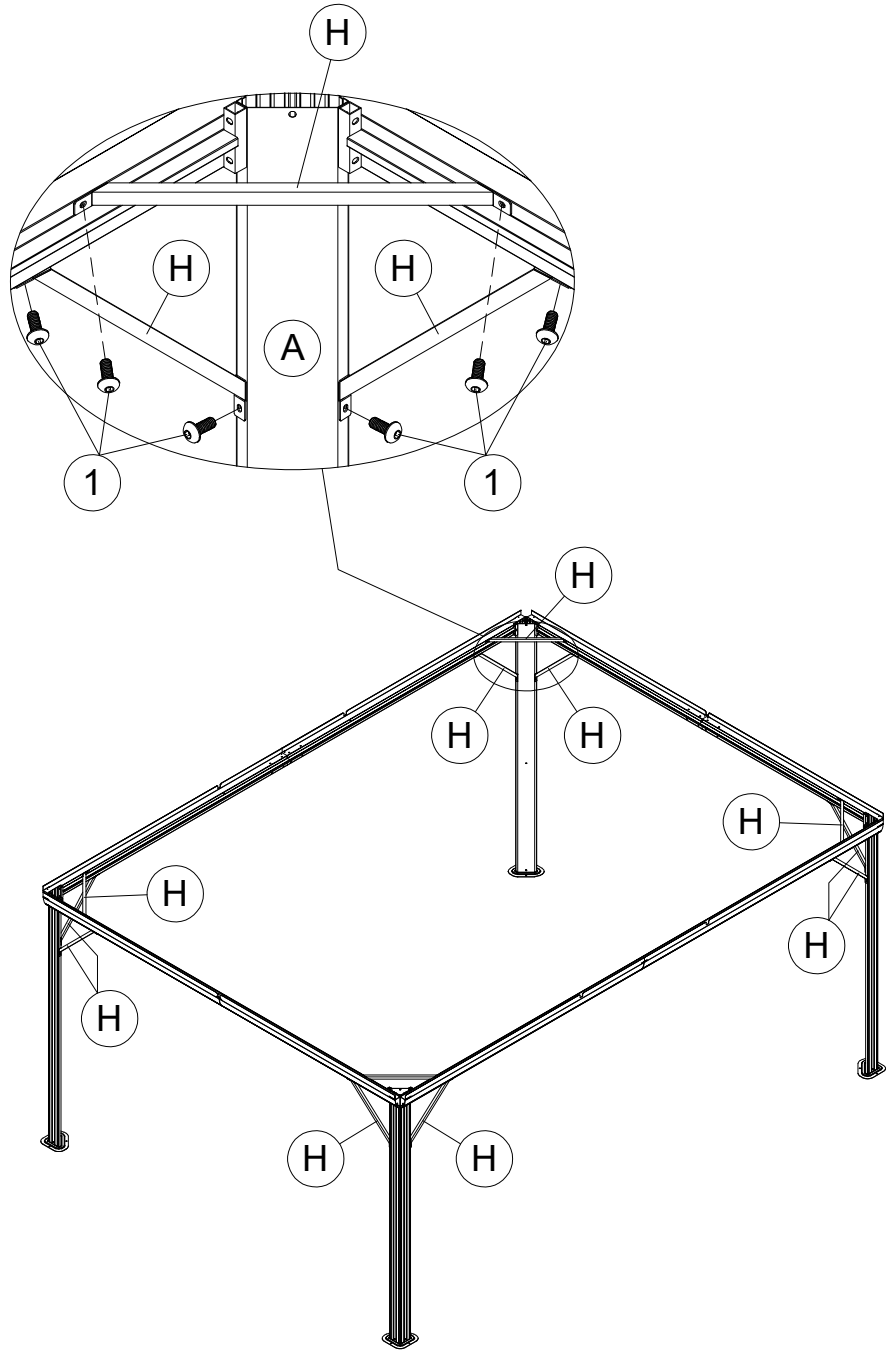
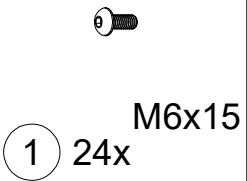
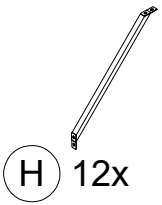
1 M6x15  
16x

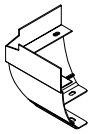


2 M6x35  
16x



<4>





K 4x



K1 4x



U 128x



V 4x



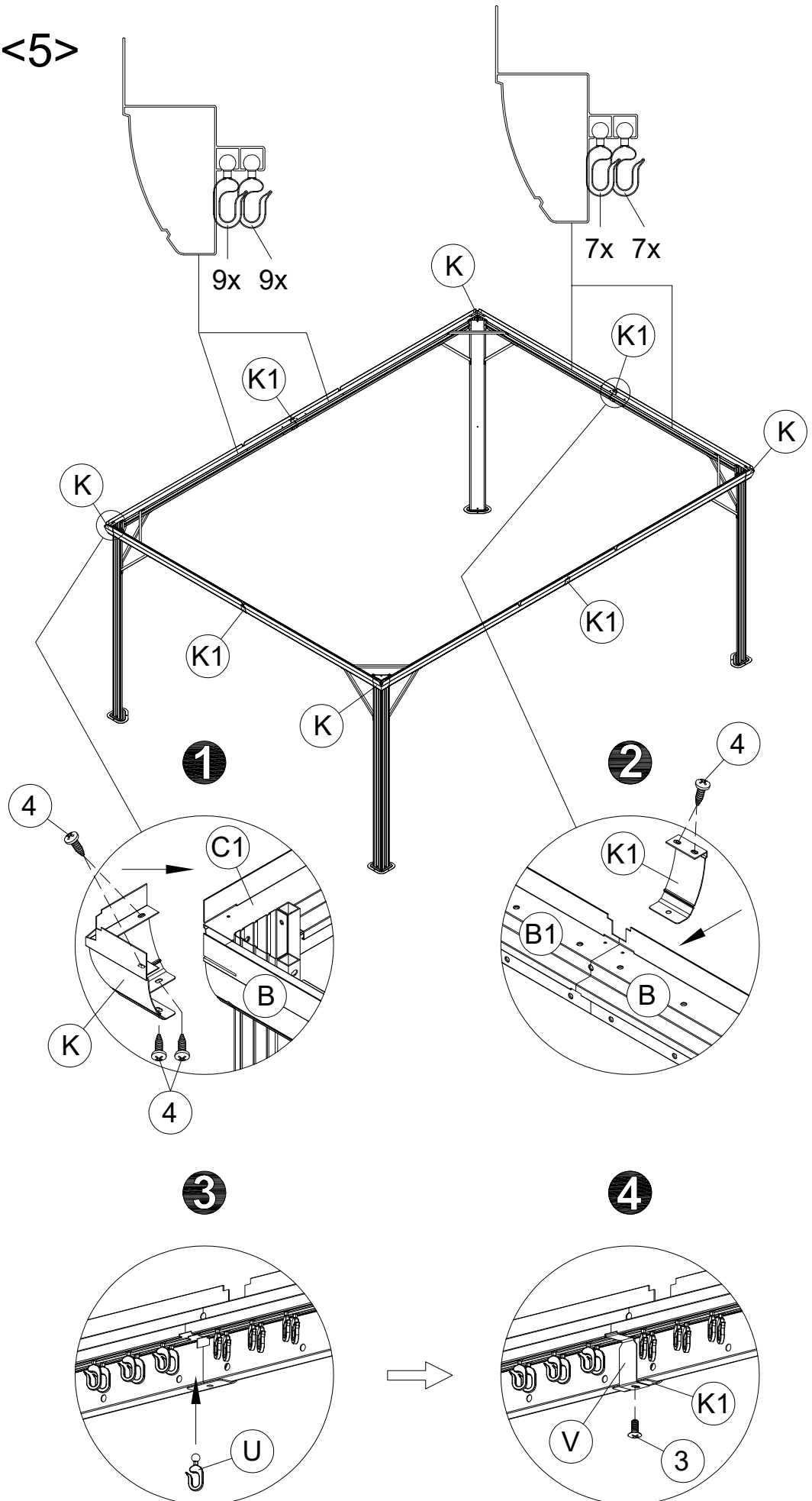
3 4x M5x12



4 24x ST4.8x12

8

<5>



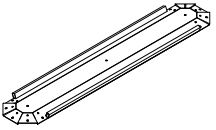
<6>



D 4x



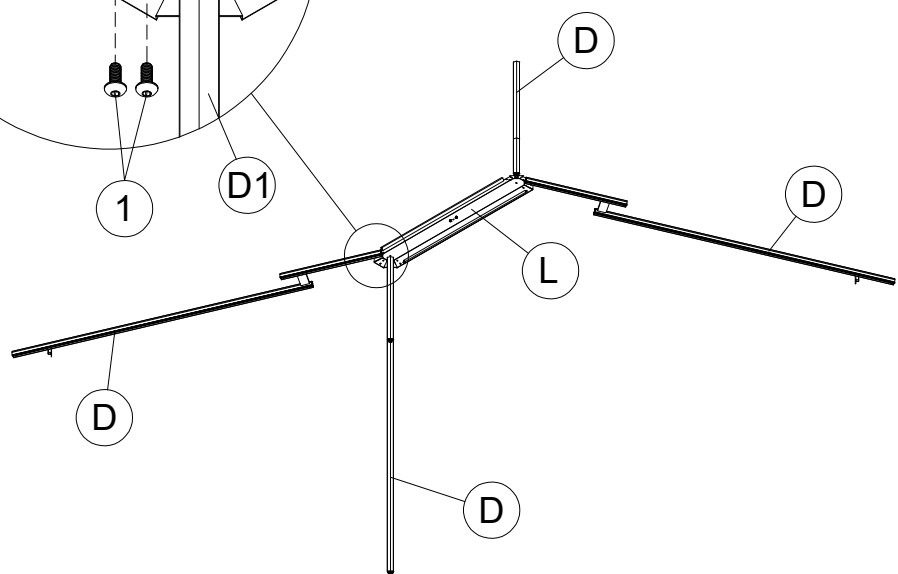
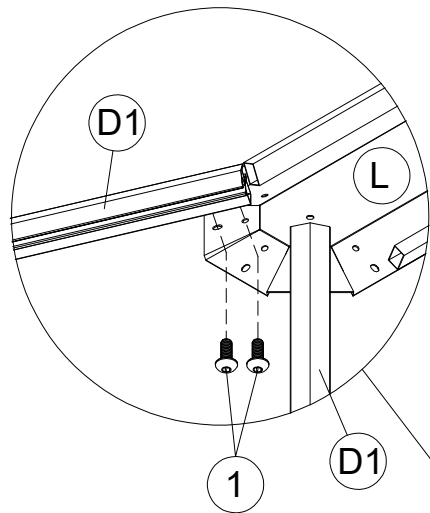
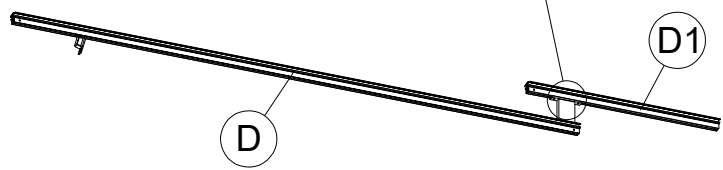
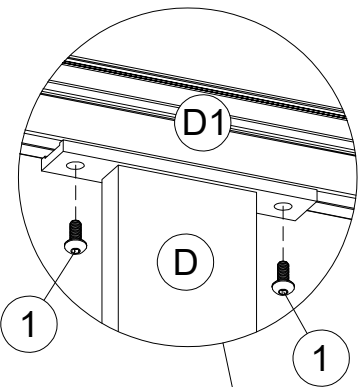
D1 4x



L 1x



1 16x M6x15



9

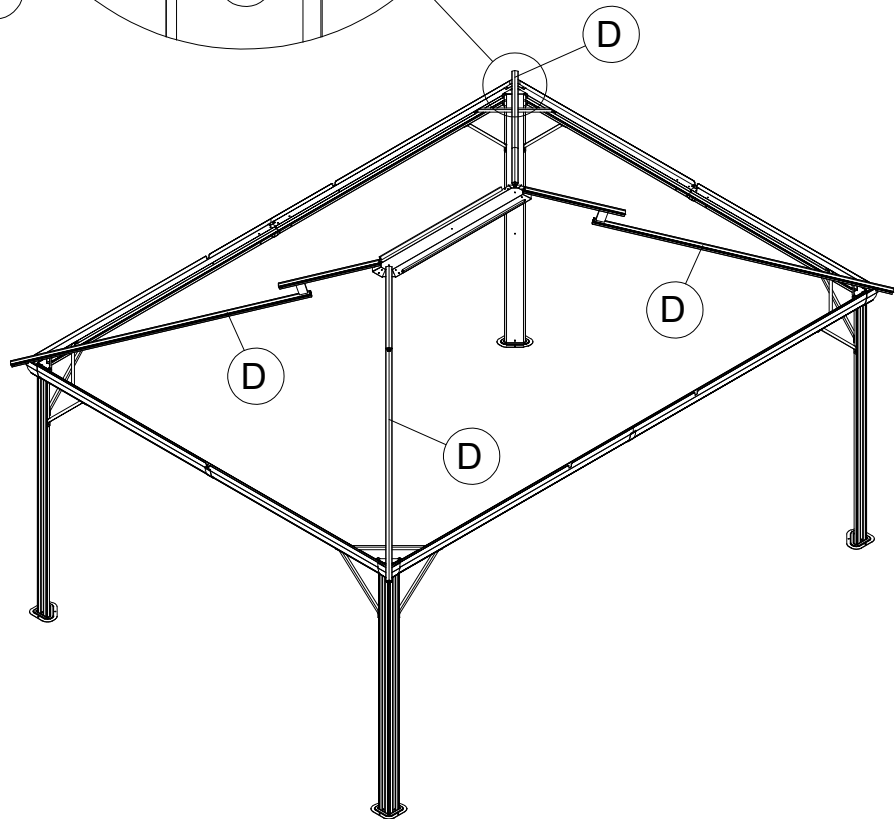
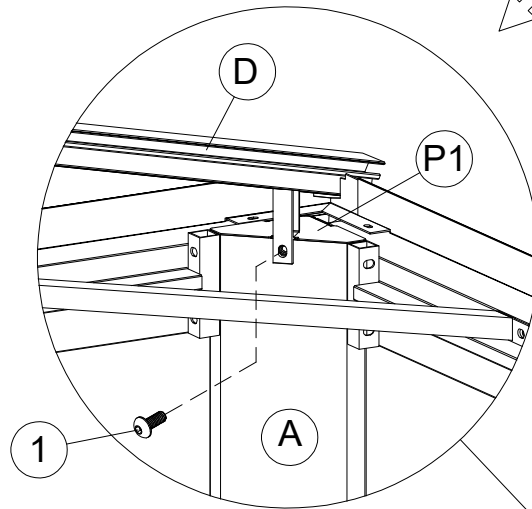
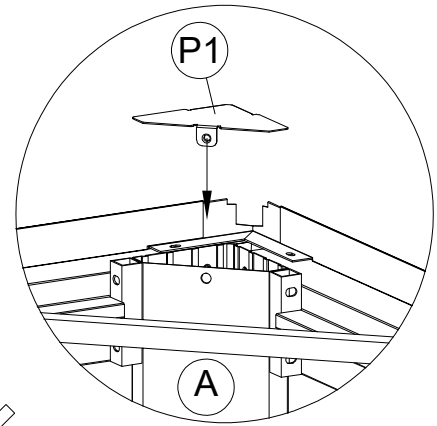


<7>

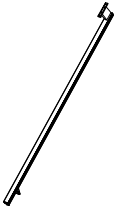
P1 4x



1 4x M6x15



<8>



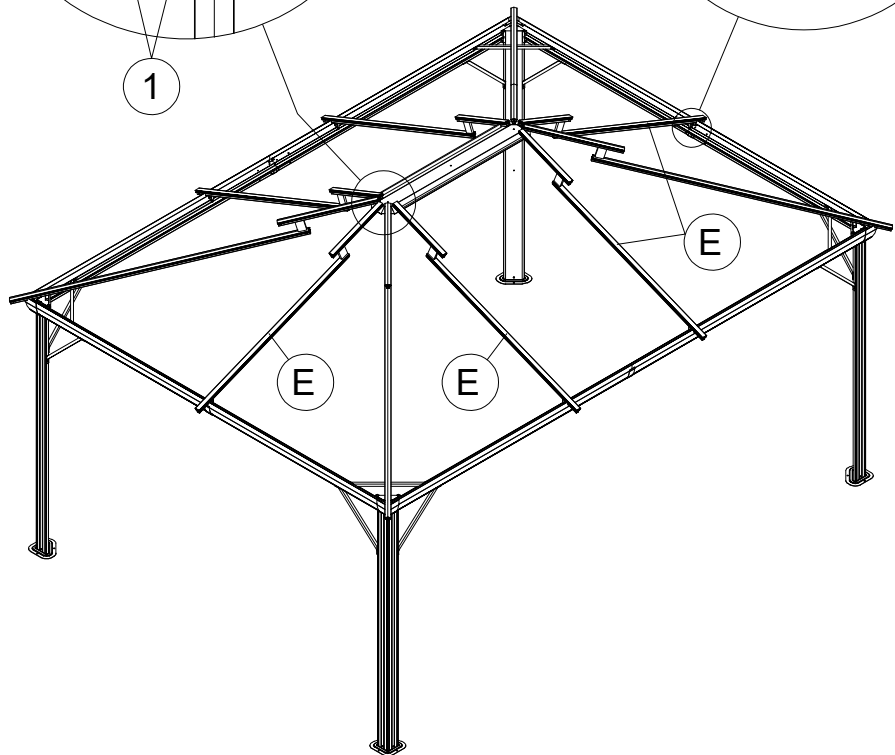
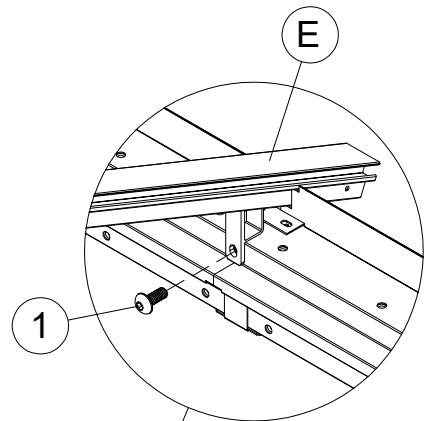
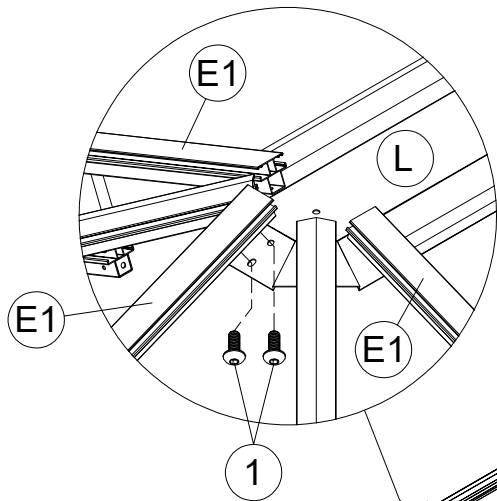
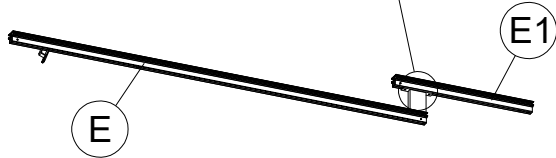
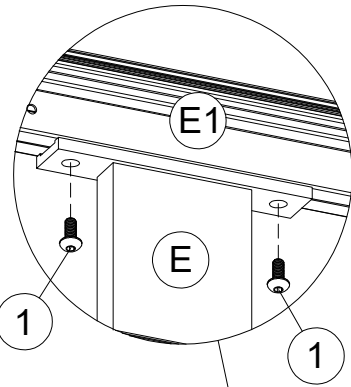
E 6x



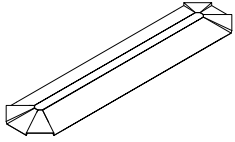
E1 6x



1 30x M6x15



11



M 1x

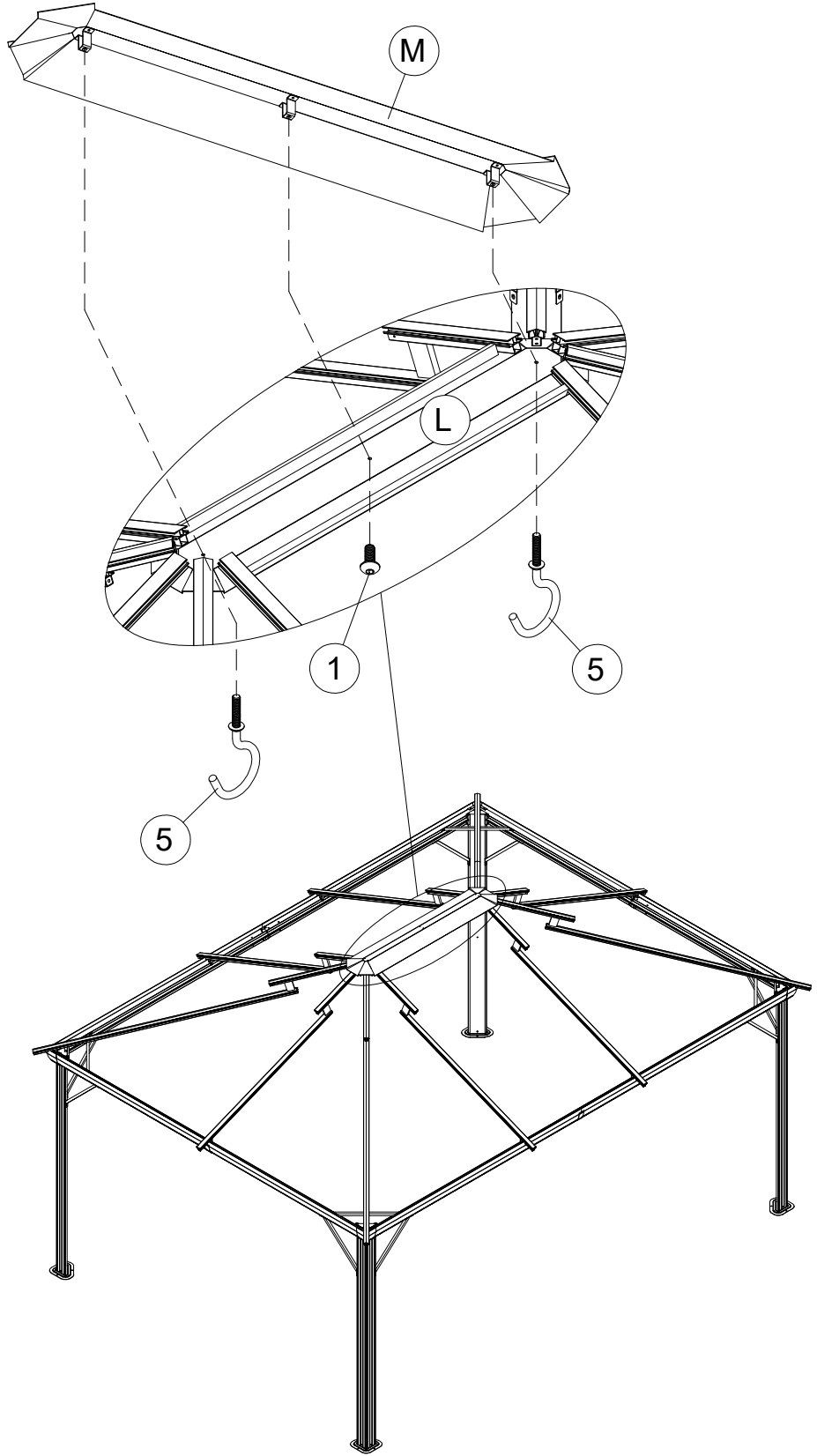


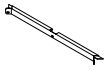
1 1x M6x15



5 2x

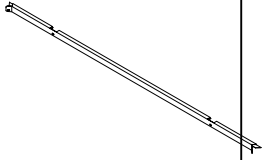
<9>





<10>

G5 2x



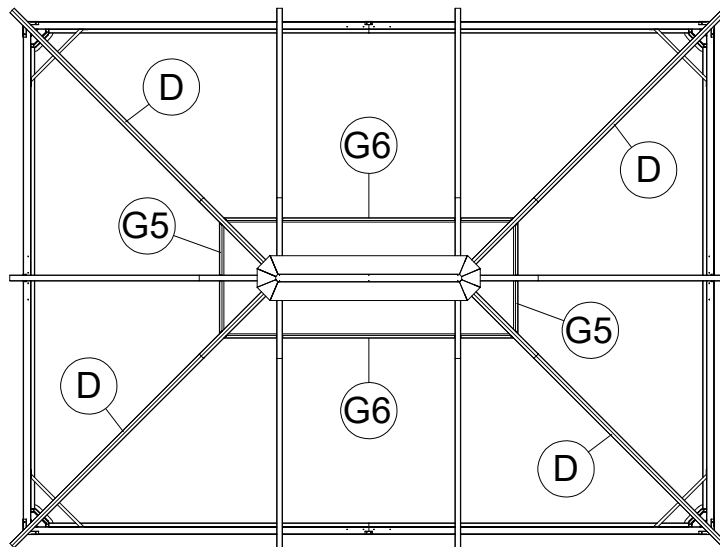
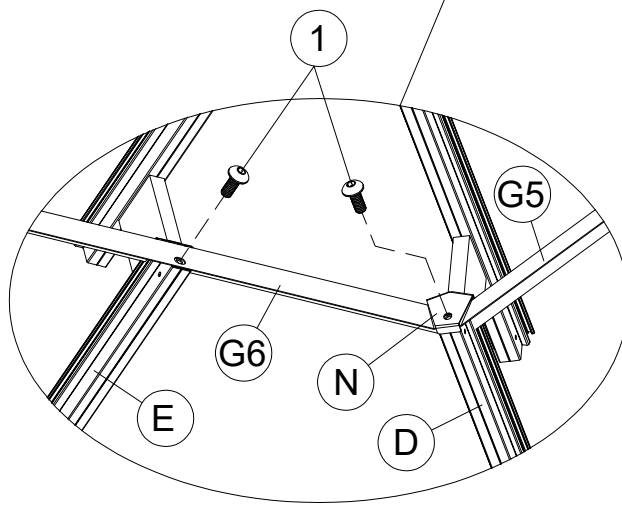
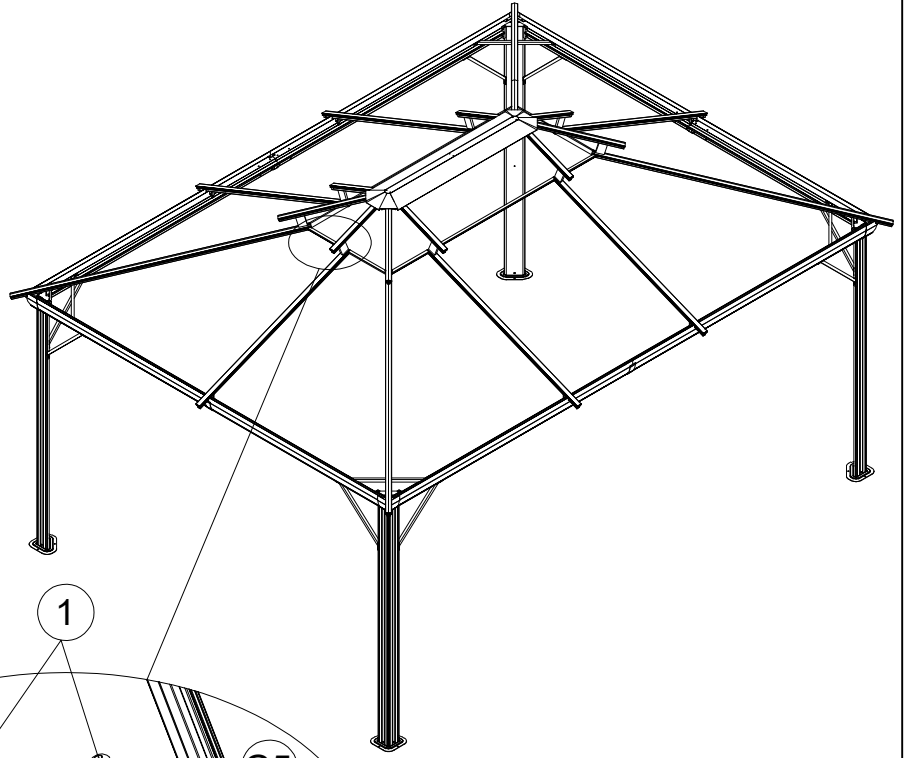
G6 2x



N 4x



1 10x M6x15

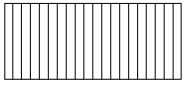




R3 4x

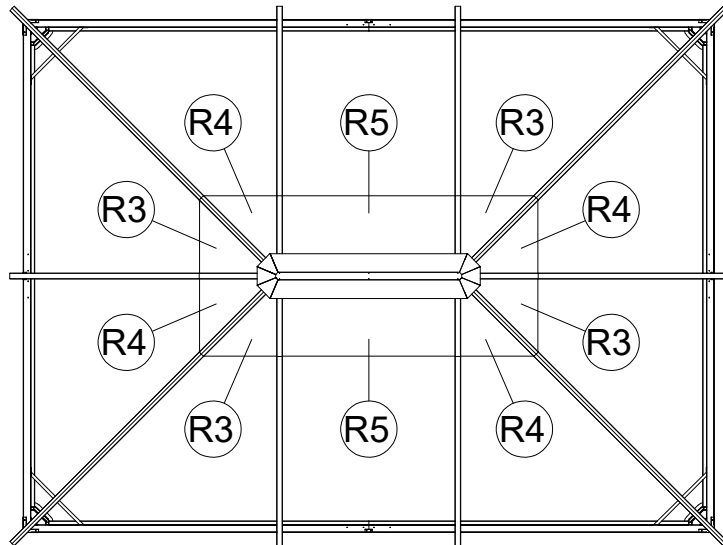
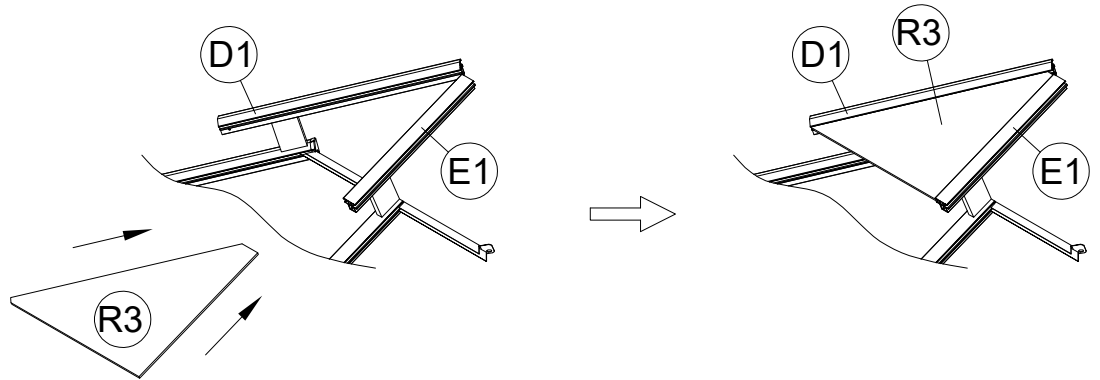
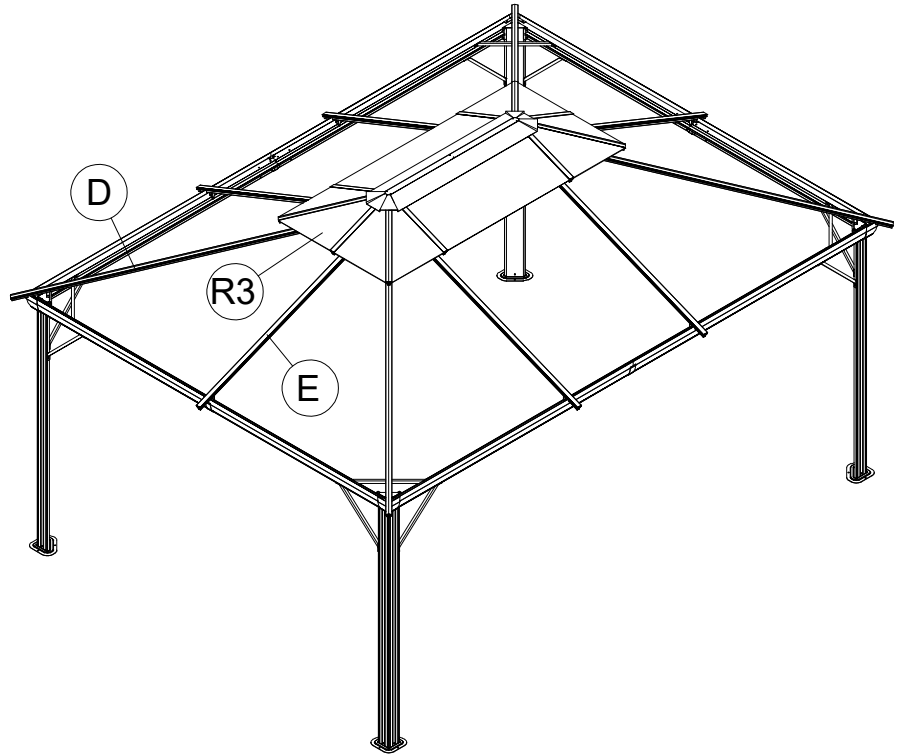


R4 4x

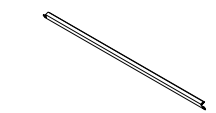


R5 2x

<11>



<12>



G 2x



G3 4x



G4 4x



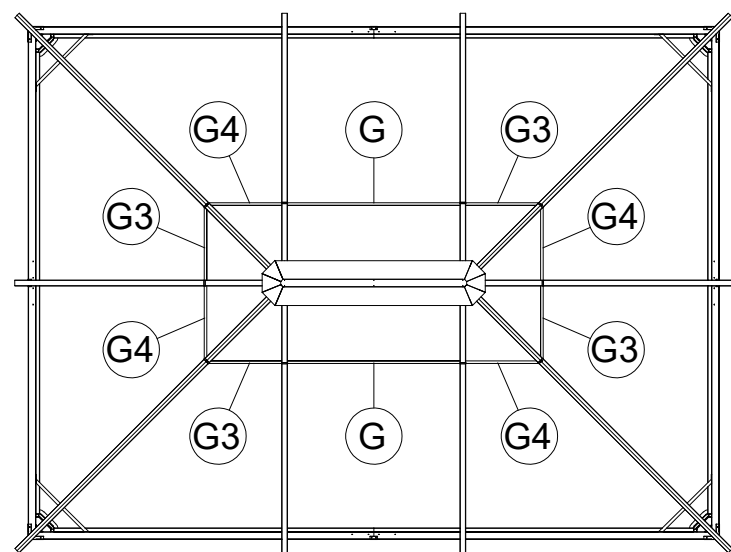
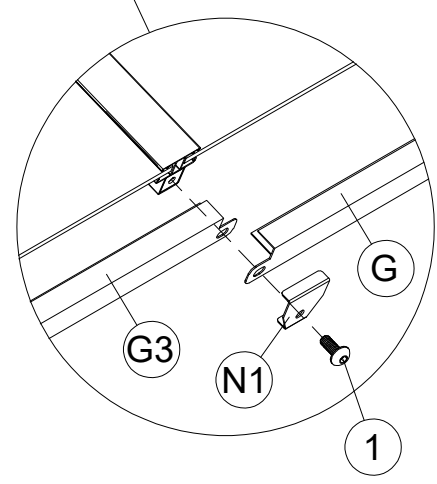
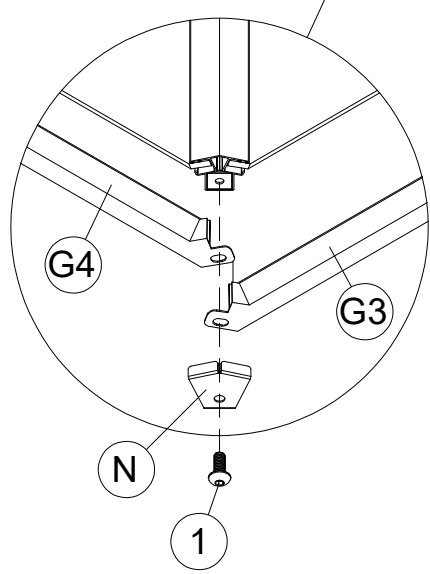
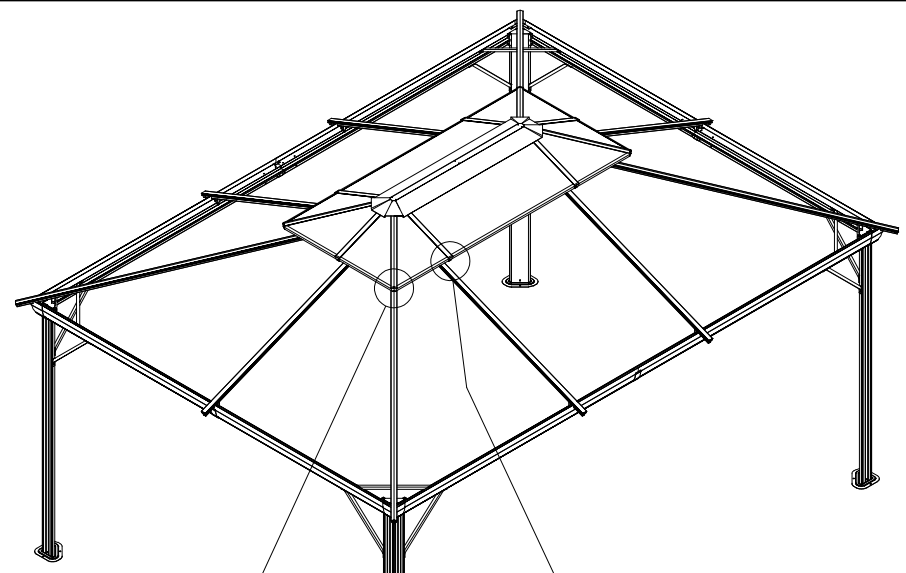
N 4x



N1 6x



1 10x M6x15



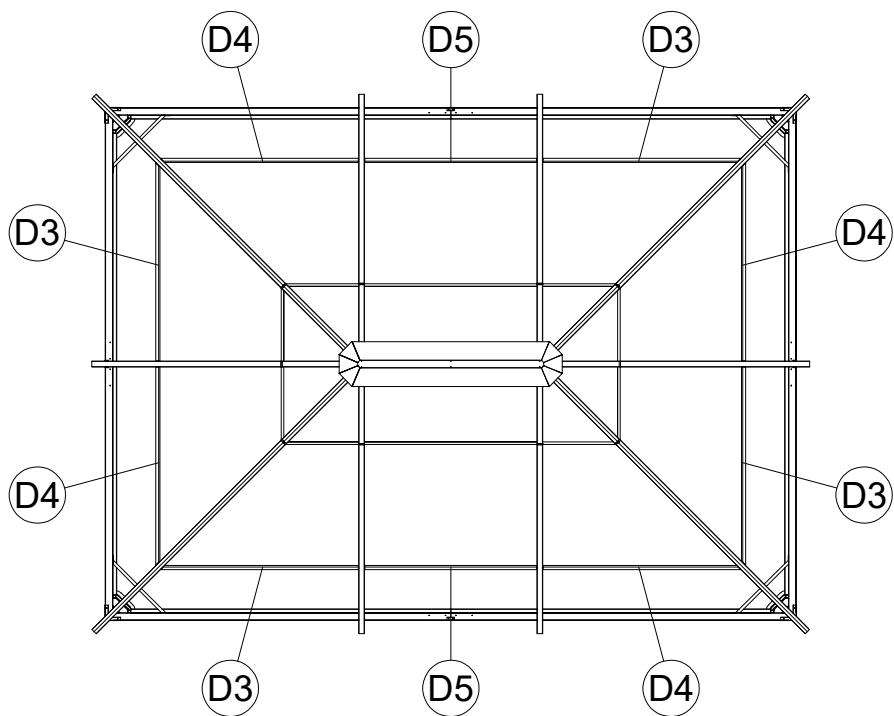
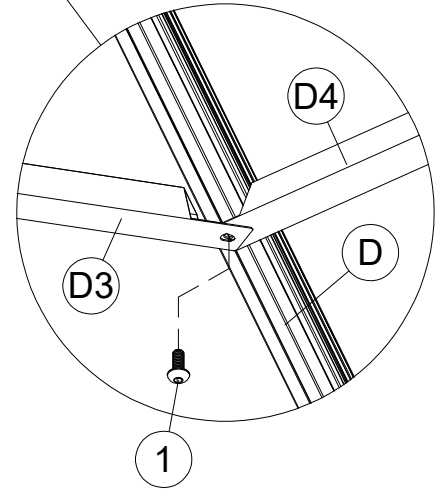
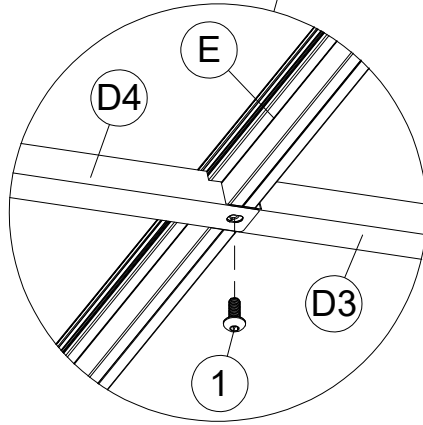
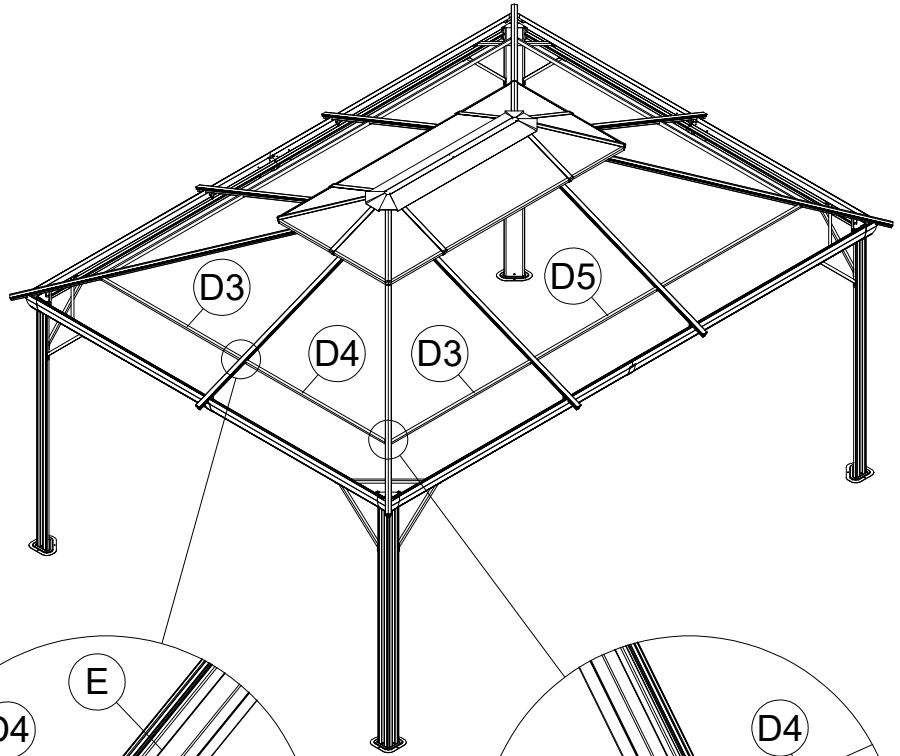
<13>

D3 4x

D4 4x

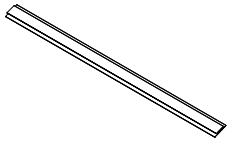
D5 2x

1 10x M6x15

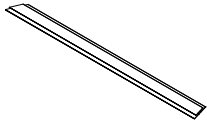


16

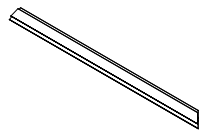
<14>



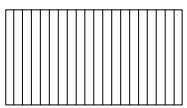
F 2x



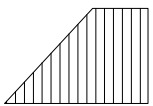
F1 4x



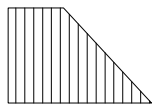
F2 4x



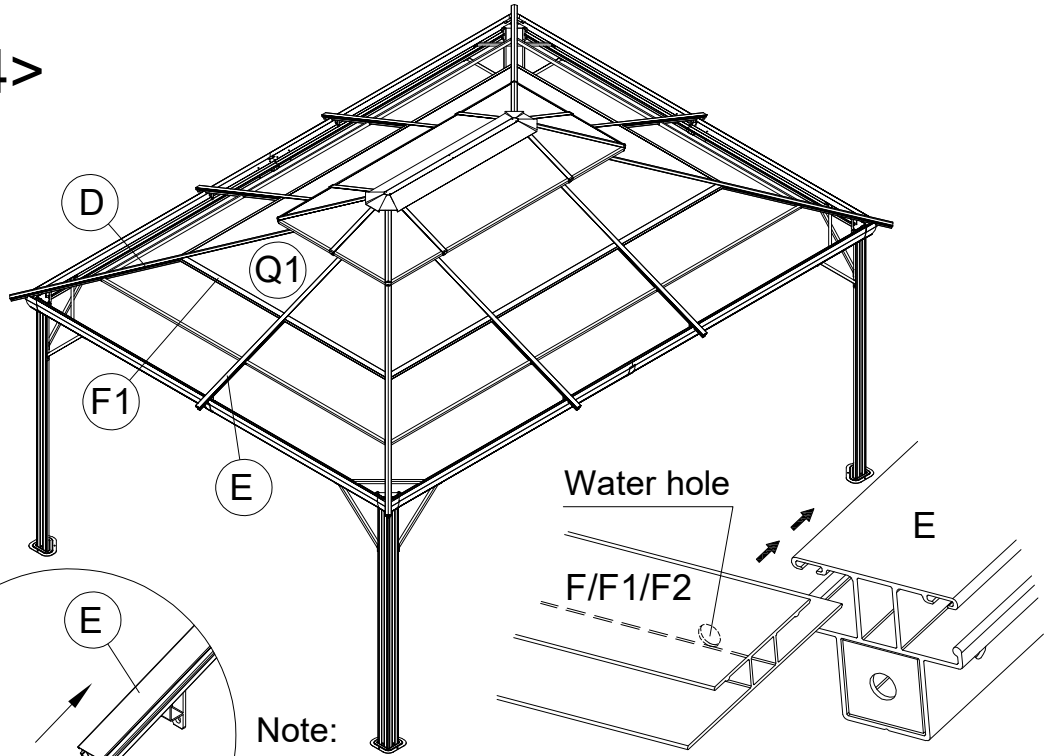
Q 2x



Q1 4x



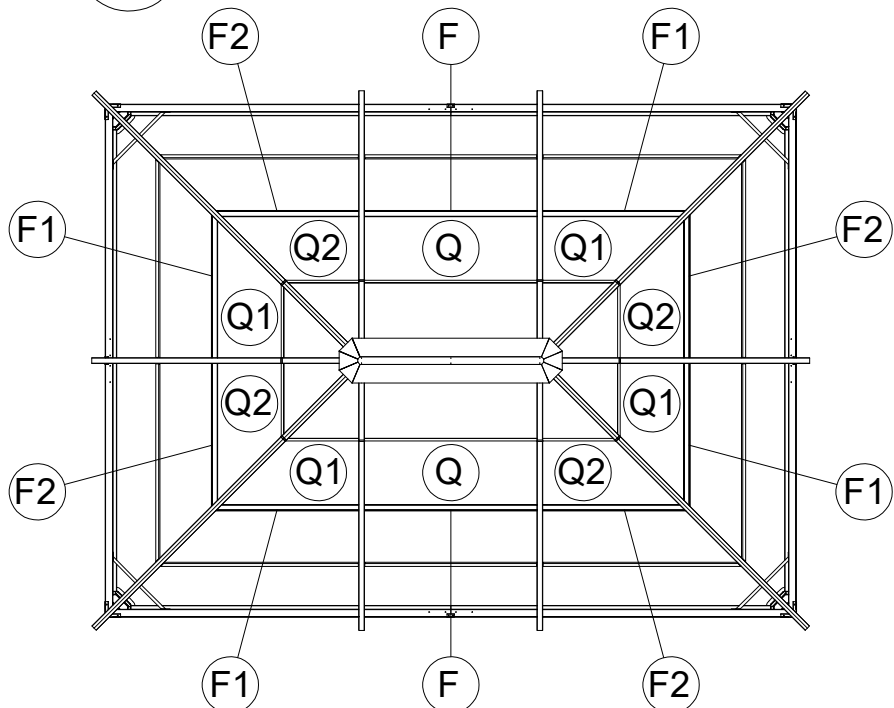
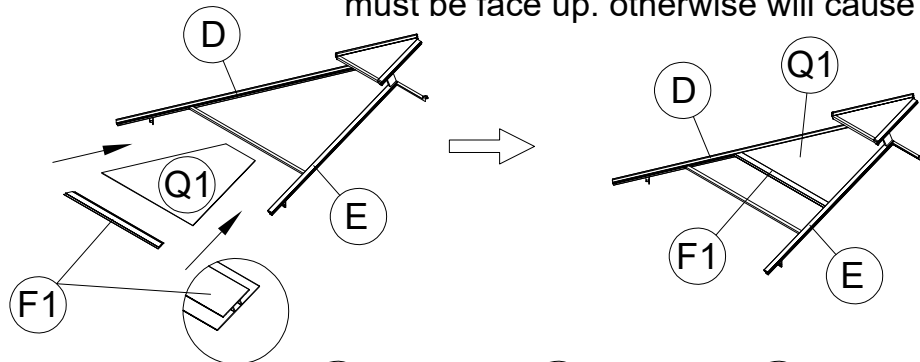
Q2 4x



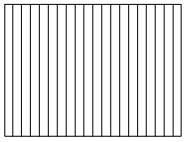
Note:

1. When F1 or F2 or F slide into the E, the wide side must be face down and narrow side face up, otherwise will cause water leaking

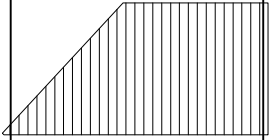
2. F or F1 or F2 the water holes inside of the tube must be face up. otherwise will cause water leaking



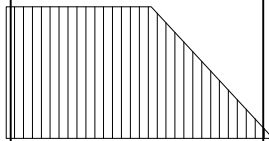
<15>



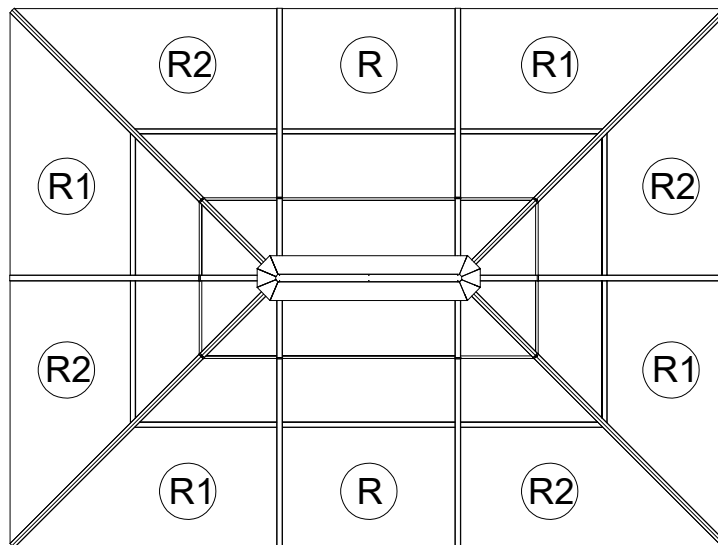
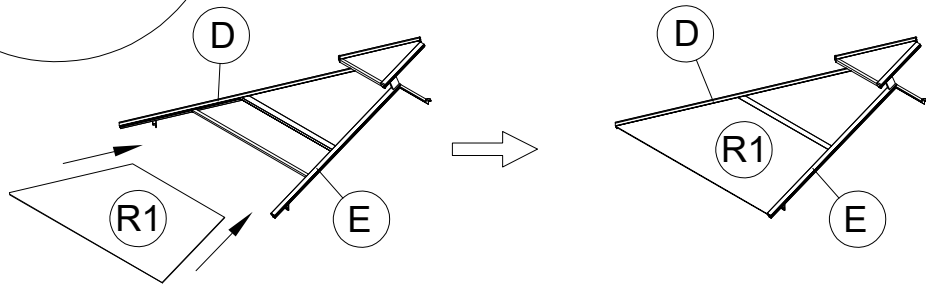
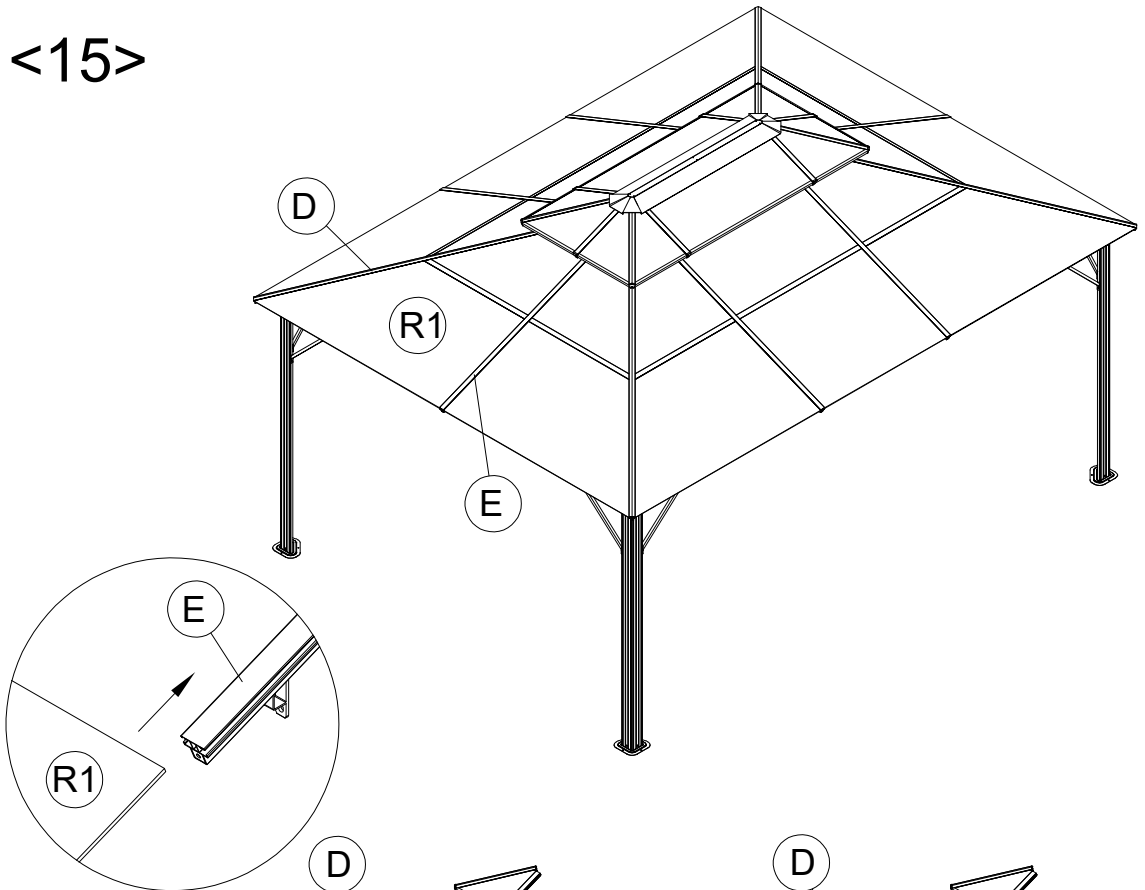
(R) 2x



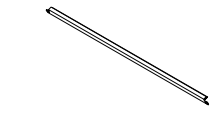
(R1) 4x



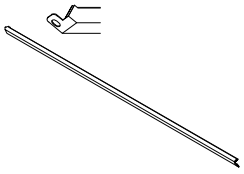
(R2) 4x



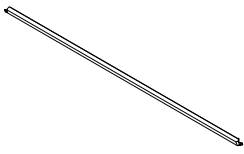
<16>



G 2x



G1 4x



G2 4x



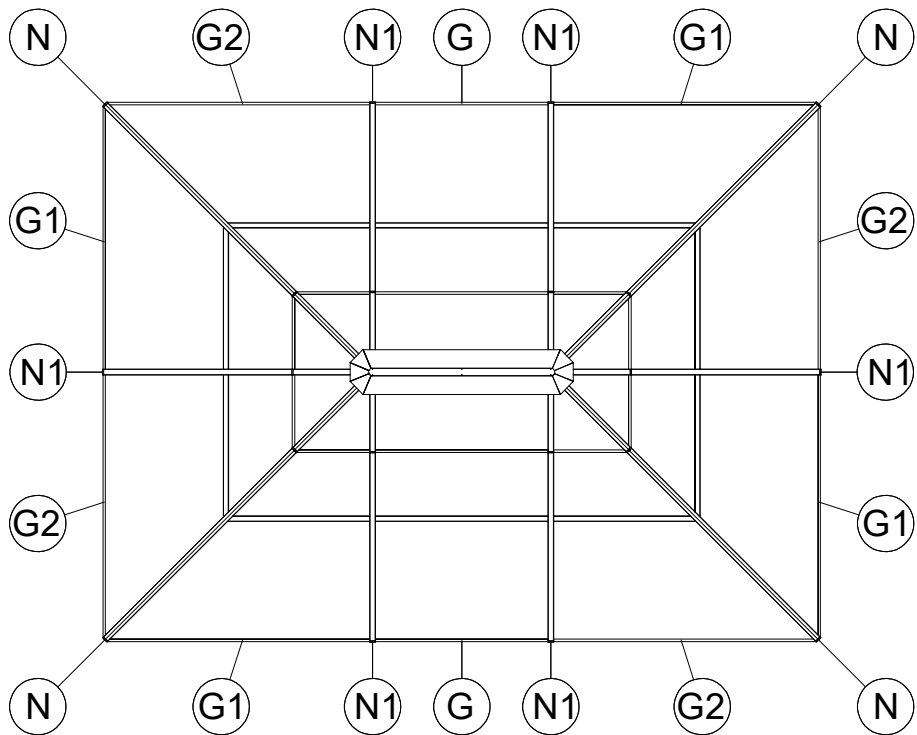
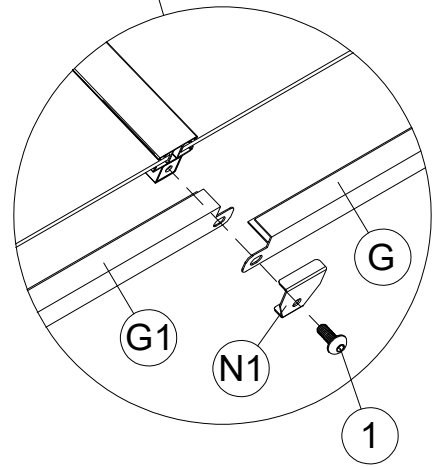
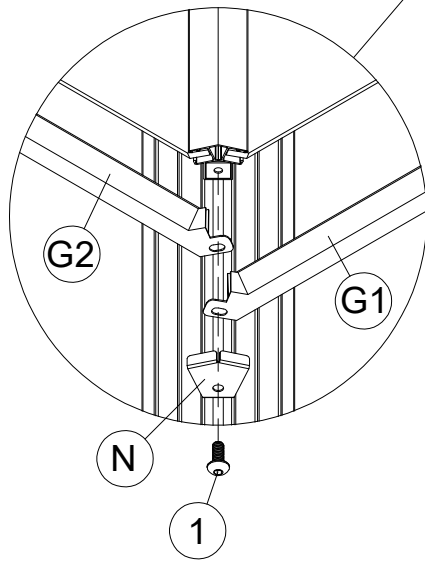
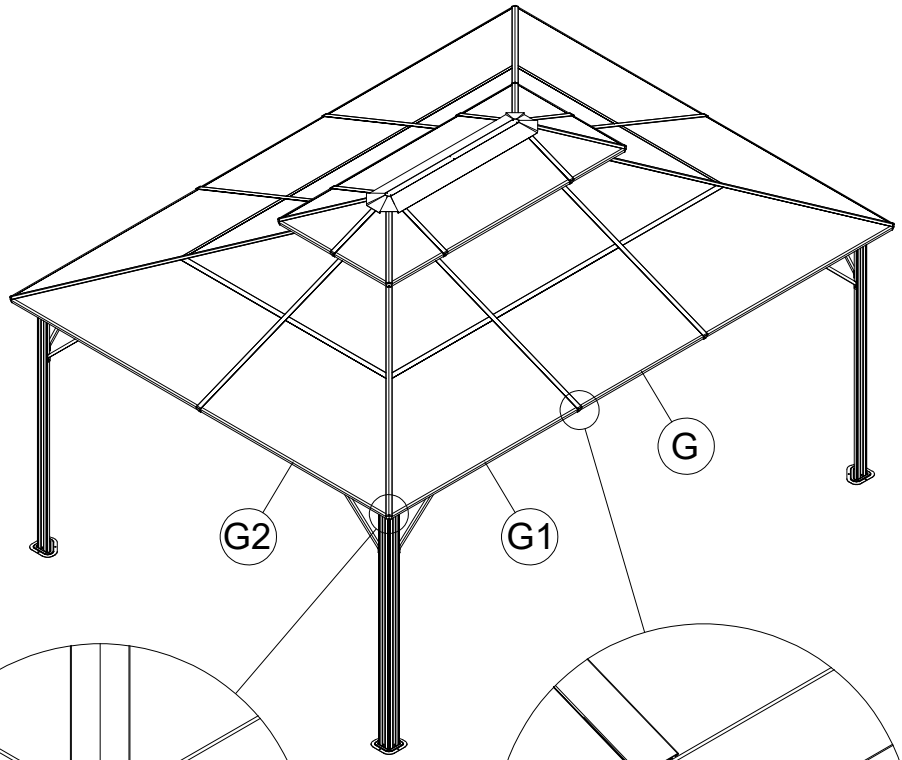
N 4x



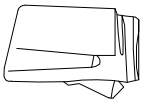
N1 6x



1 10x M6x15

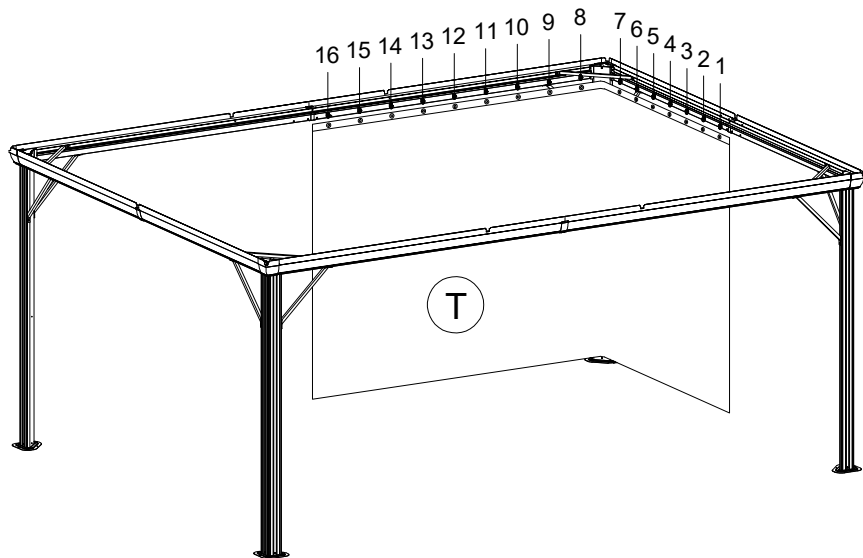
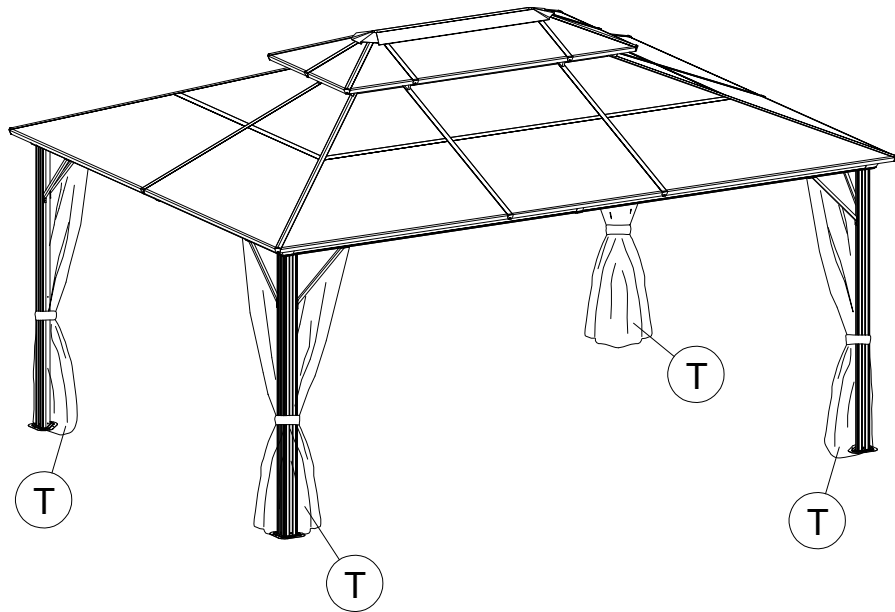
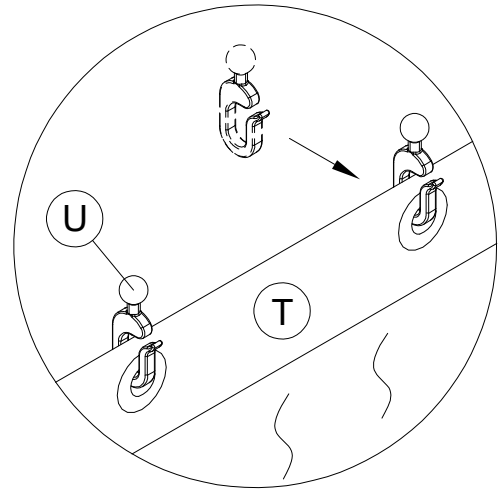
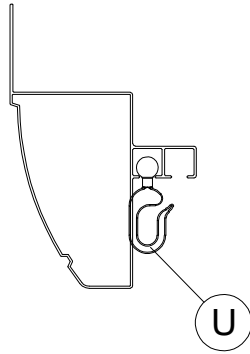


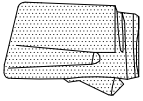
19



<17>

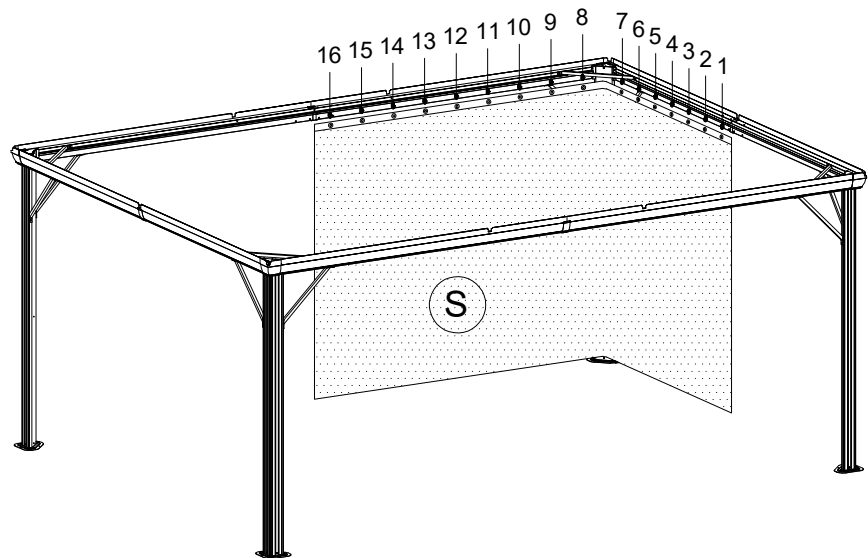
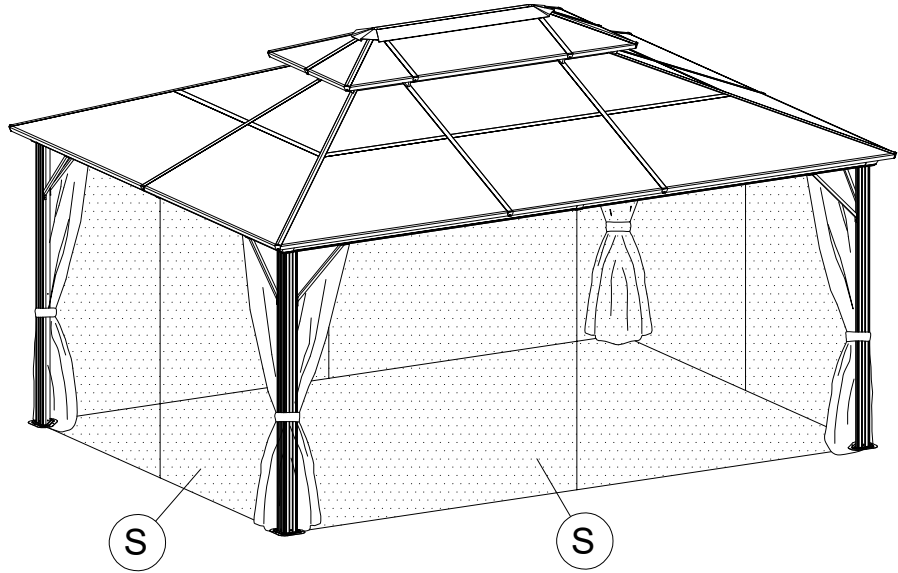
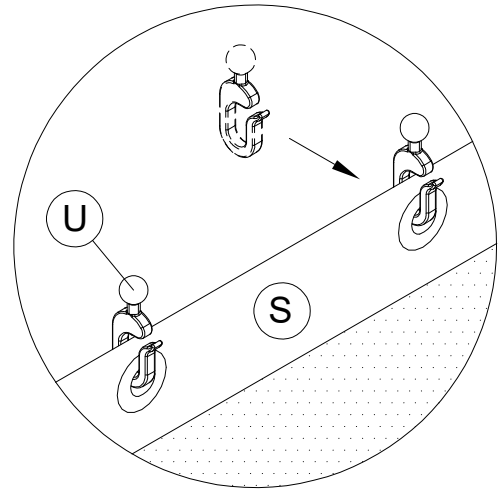
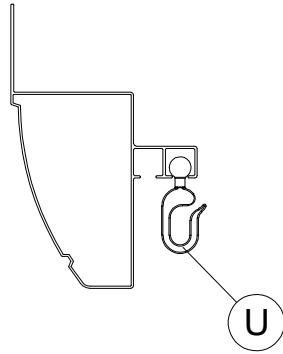
T 4x





<18>

S 4x





<19>

9 12x

