

# ASSEMBLY INSTRUCTIONS

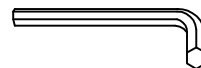
MODEL #

# WI4567WH-S

## Questions?

GIVE US A CALL: 1-888-980-5122  
MON – FRI 8:30AM – 5:30PM (PT)

### TOOLS REQUIRED



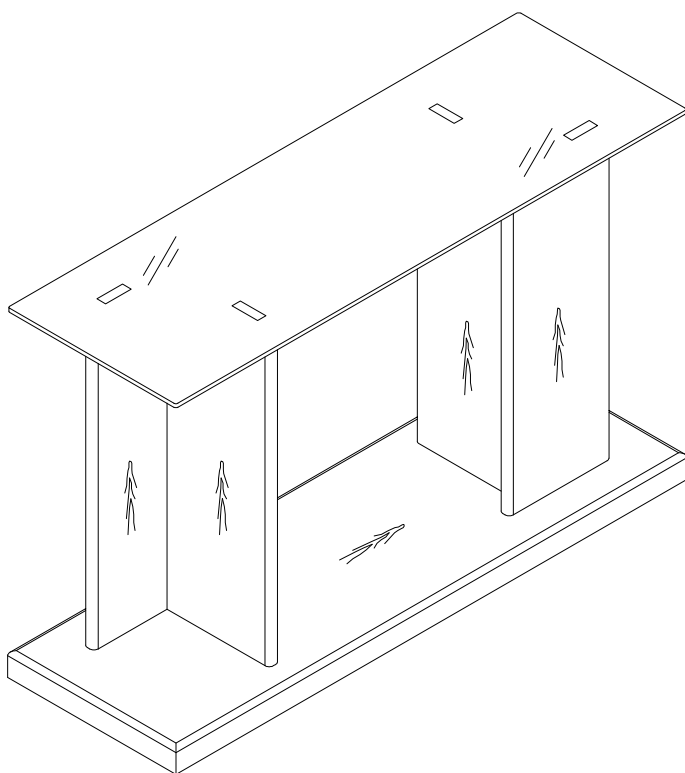
Allen Wrench

(Included)



Phillips Screwdriver

(Not Included)



2 - People  
Recommended

### ASSEMBLY RATING



EASY —————> DIFFICULT

The Assembly Rating is a 5-point system showing the level of effort needed to assemble a specific product.



FOA Intro

Thank you for your purchase!


We hope you enjoy this new addition to your home for many years to come.

Our commitment to providing quality products does not simply end when you purchase our product. We fully stand behind our products from start to finish. Our customer service department is available Monday – Friday 8:30 AM – 5:30 PM Pacific Time and can help with assembly questions as well as, if necessary, replacing damaged or missing parts. To help expedite our service, please have these assembly instructions readily available, along with your order receipt.

 **Consumer Hotline**  
Toll-Free 1-888-980-5122

 **WEBSITE**  
[www.foagroup.com](http://www.foagroup.com)

    foagroup

 **Monday to Friday**  
8:30AM- 5:30PM (PT)

 **E-MAIL**  
[cs.ec@foagroup.com](mailto:cs.ec@foagroup.com)

 FurnitureOfAmerica

---

## CHECK BEFORE STARTING

**Are you missing anything?**  
Double-check all parts, hardware and accessories listed are all accounted for.

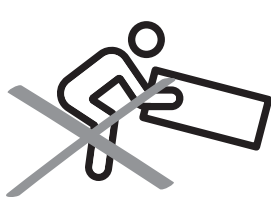
**Should we send any replacements?**  
Are there any irregularities or flaws in the parts? We can send replacements!

**Check out our Quick Tips!**  
We recommend reviewing the pre-assembly handouts. Even experts need a refresher now and then!

**Prep Time!**  
Please review the assembly instructions and all diagrams prior to assembling.

# PRE ASSEMBLY INTRODUCTION

We understand building ready-to-assemble furniture can be a challenging experience for some. To help avoid confusion, we have provided some helpful tips that may speed up the process.



## Teamwork

ALWAYS have at least two people to help with transporting and assembling the product to avoid potential injury and/or damage.



## Suitable Location

Assembling near the area of the intended location is highly recommended.



## Sufficient Space

Make sure you have enough space to move around during the assembly.



## Avoid Scratches

Use cardboard, blankets or a carpeted area while assembling furniture to prevent to prevent scratches and damages.



## Flat Surface

Make sure the furniture rests on a flat and level surface with each leg evenly touching the floor.

# ASSEMBLY AND CARE ADVICE



**FAILURE TO FOLLOW THE GUIDELINES BELOW MAY RESULT IN INJURY AND/OR PROPERTY DAMAGE.**



Position each part correctly and insert screws or bolts into their respective holes.



Turn clockwise to tighten and only tighten when step is completed or when instructed to do so.



Use the appropriate hand tools or power tools for assembly. Select steps, such as tightening screws and/or bolts, may require hand tools to avoid causing damage during assembly.



Save the instructions and store any supplied tools for later maintenance.



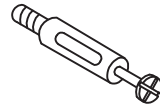
After two weeks, check and tighten any loose hardware and repeat again every six months thereafter.

**IT IS THE USER'S RESPONSIBILITY TO MAINTAIN THE FURNITURE. THE HARDWARE MAY LOOSEN OVER TIME AND MAY CAUSE THE FURNITURE TO BE WOBBLY AND UNABLE TO SUPPORT ITS INTENDED WEIGHT CAPACITY. THIS MAY LEAD TO COLLAPSE AND MAY CAUSE SERIOUS INJURY.**

# CAM LOCK FASTENER ASSEMBLY INSTRUCTIONS

## Note :

Every cam lock bolt must have a cam lock connector in order to fasten the parts together.



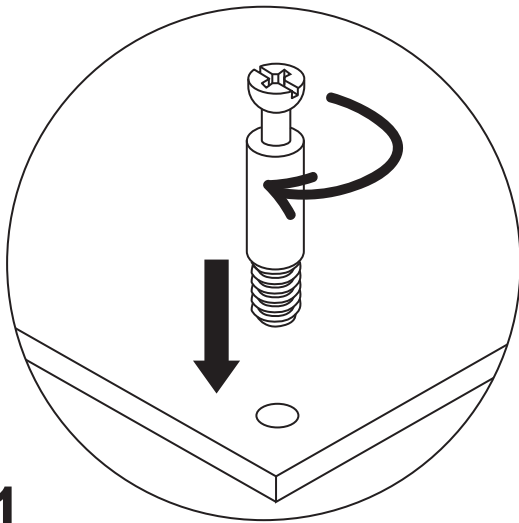
cam bolt



cam lock

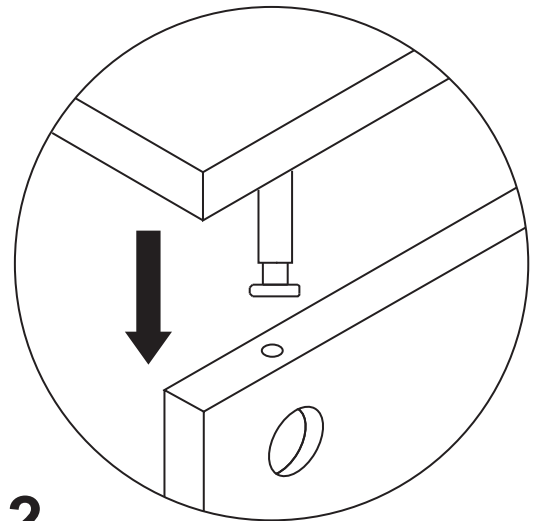


screwdriver



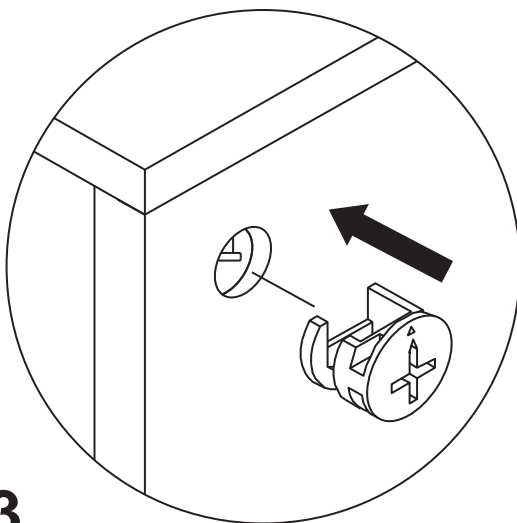
**1**

Screw the cam bolt into panel.



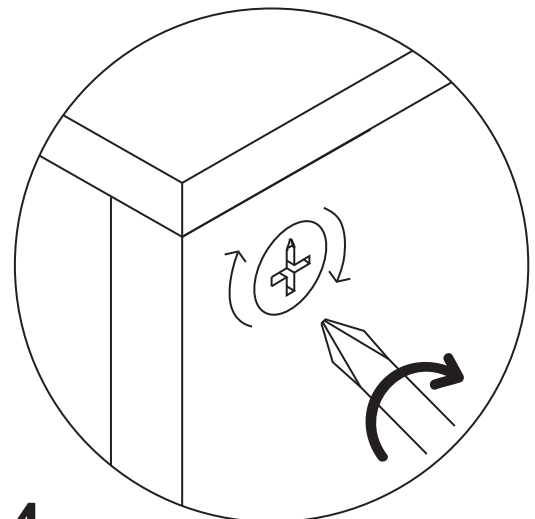
**2**

Insert the cam bolt into the bolt hole of joint panel.



**3**

Align the cam lock with its side opening (or arrow) pointing to cam bolt.

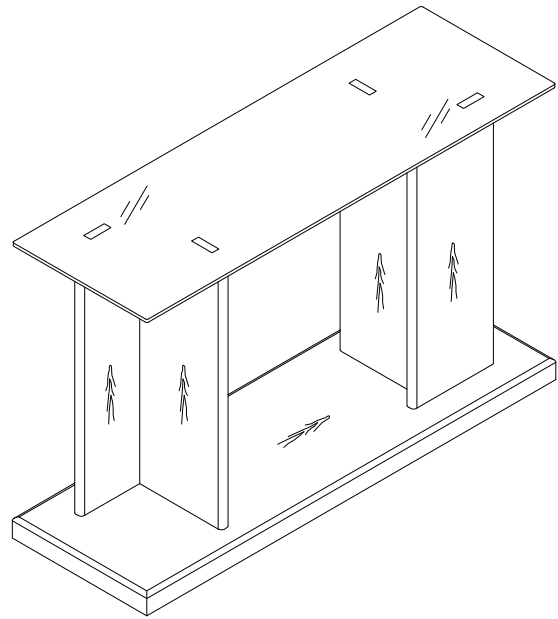
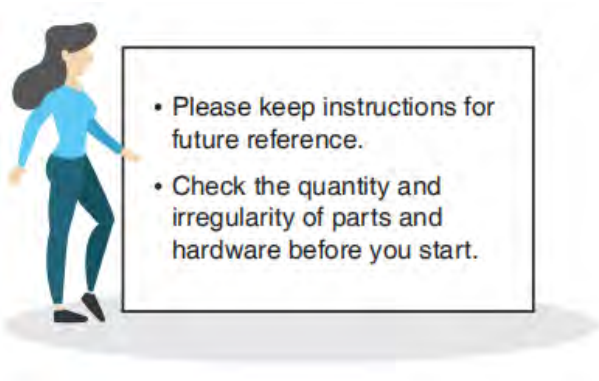


**4**

Turn the cam lock clockwise gently until it will not turn any more.

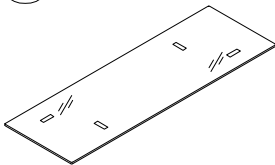
# SOFA TABLE

CM4567-S



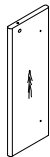
## PARTS

#1 1pc



Glass

#2 2pcs



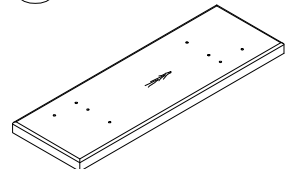
Outside Board

#3 2pcs



Inside Board

#4 1pc



Bottom Board

## HARDWARE

#A 8pcs



Bolt 1/4" x 1-3/8"

#B 8pcs



Washer  $\text{Ø}16 \times \text{Ø}7 \times 1.0$

#C 4pcs



Cam Bolt M6x40

#D 4pcs



Cam Lock  $\text{Ø}14.5 \times 11$

#E 4pcs



M6x34 Connection Bolt

#F 1pc



Allen Wrench M4

#G 6pcs



Adjustable Foot

#H 4pcs

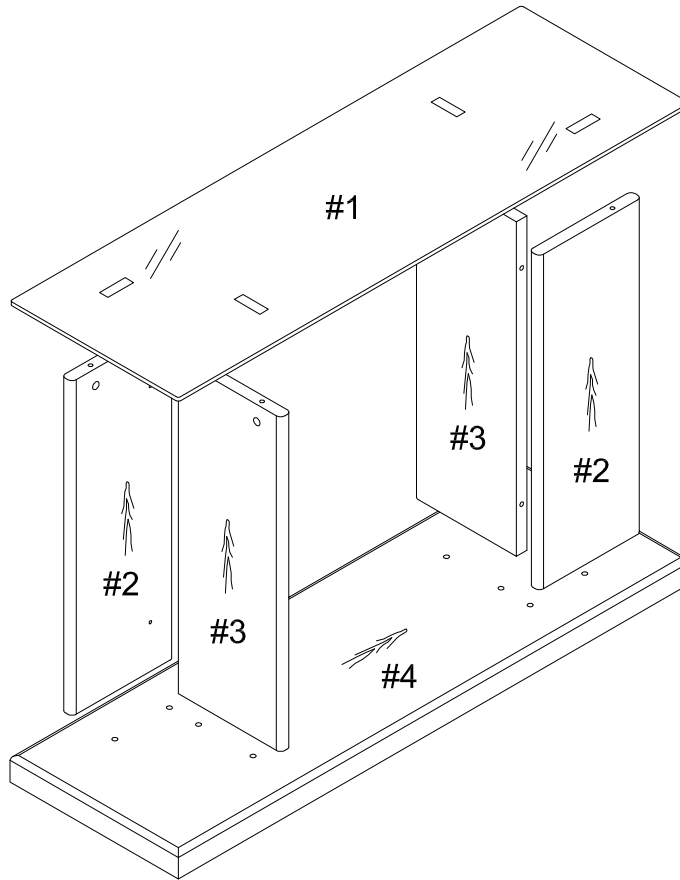


$\text{Ø}20$  Sealing Sticker

# ASSEMBLY INSTRUCTIONS

1

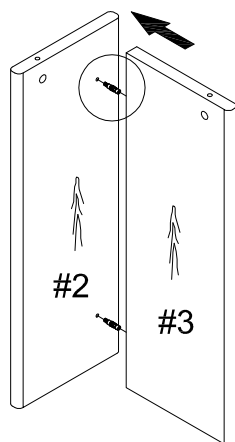
Exploded View



2

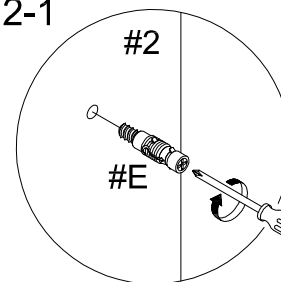
- Part #2 x 2pcs
- Part #3 x 2pcs
- Hardware #E x 4pcs

Secure cam bolts (#E) onto board (#2), then align board (#3) onto the cam bolts (#E) on board (#2).



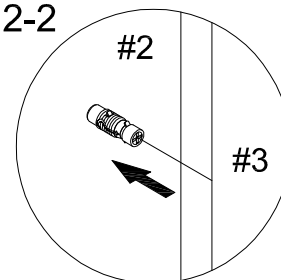
x2

2-1



SCREWDRIVER  
(NOT PROVIDED)

2-2

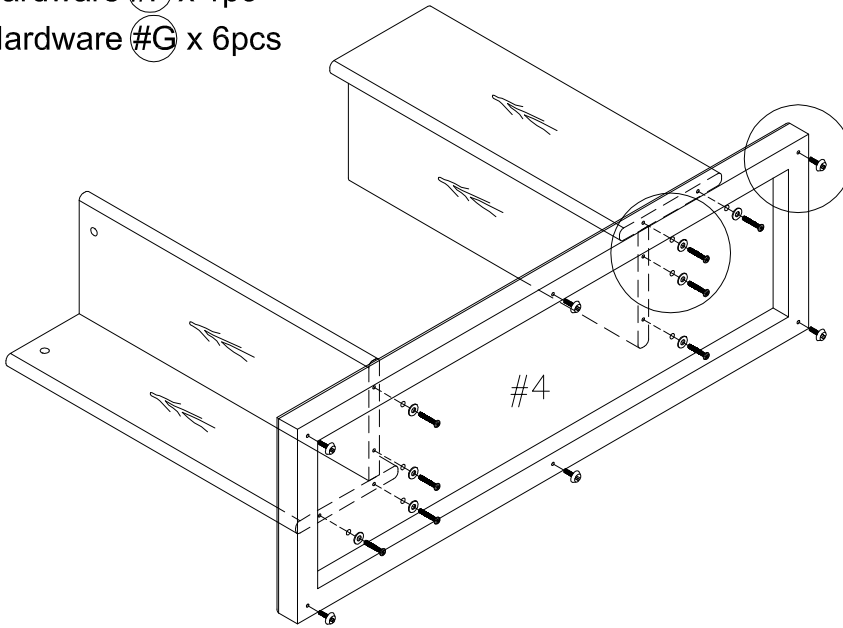


# ASSEMBLY INSTRUCTIONS

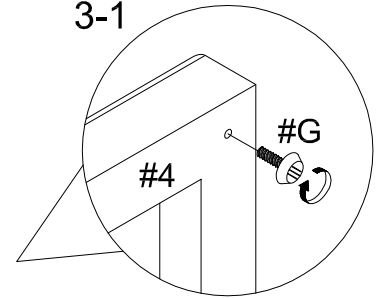
## 3

- Part #4 x 1pc
- Hardware #A x 8pcs
- Hardware #B x 8pcs
- Hardware #F x 1pc
- Hardware #G x 6pcs

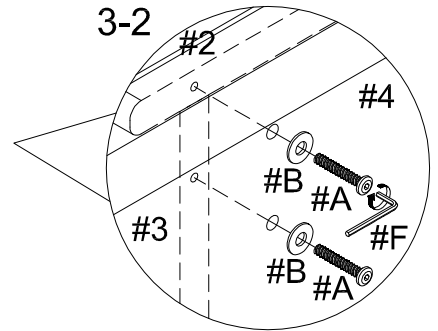
Attach levelers (#G) to the bottom board (#4). Align boards (#2,3) to the bottom board (#4), then secure by using bolts (#A) with washers (#B).



### 3-1

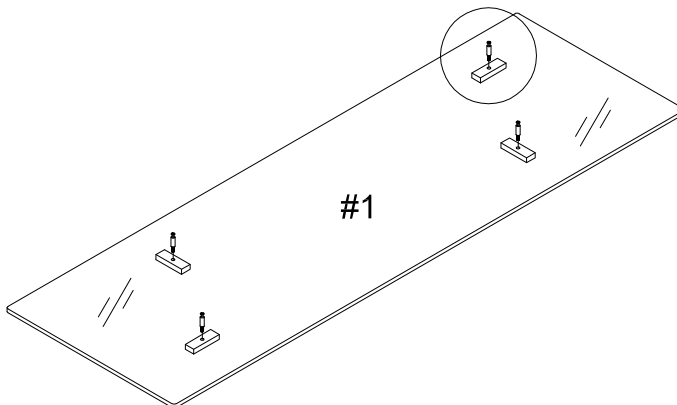


### 3-2

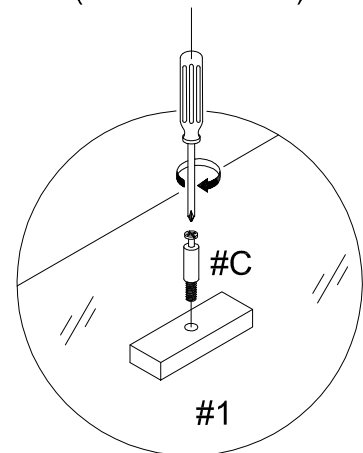


## 4

- Part #1 x 1pc
- Hardware #C x 4pcs



SCREWDRIVER  
(NOT PROVIDED)

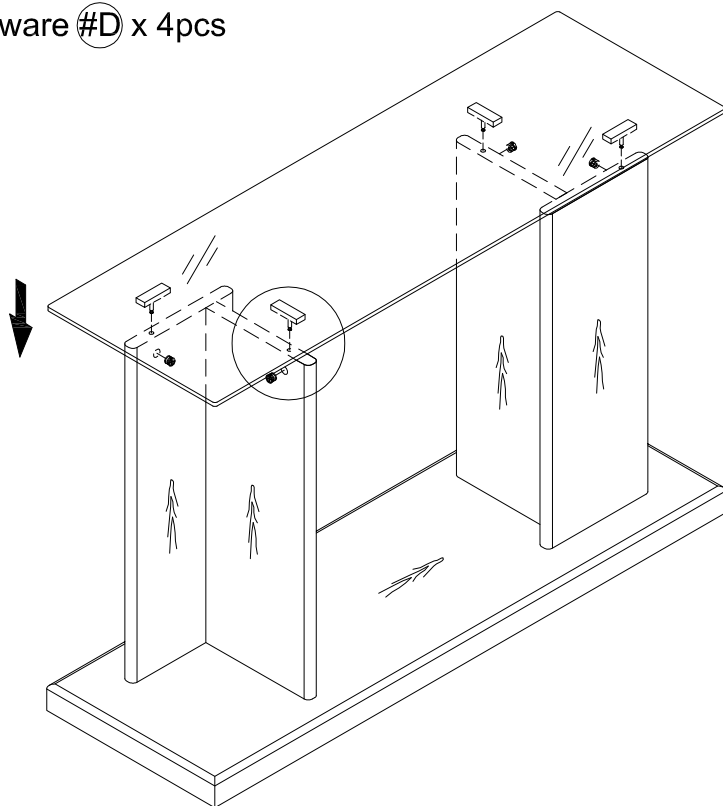


Secure cam bolts (#C) onto the glass top (#1).

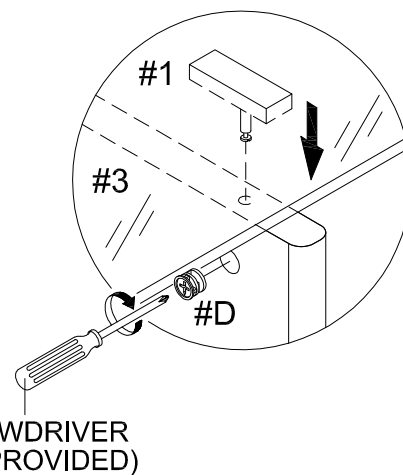
# ASSEMBLY INSTRUCTIONS

## 5

Hardware #D x 4pcs

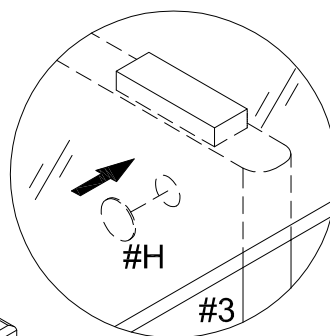
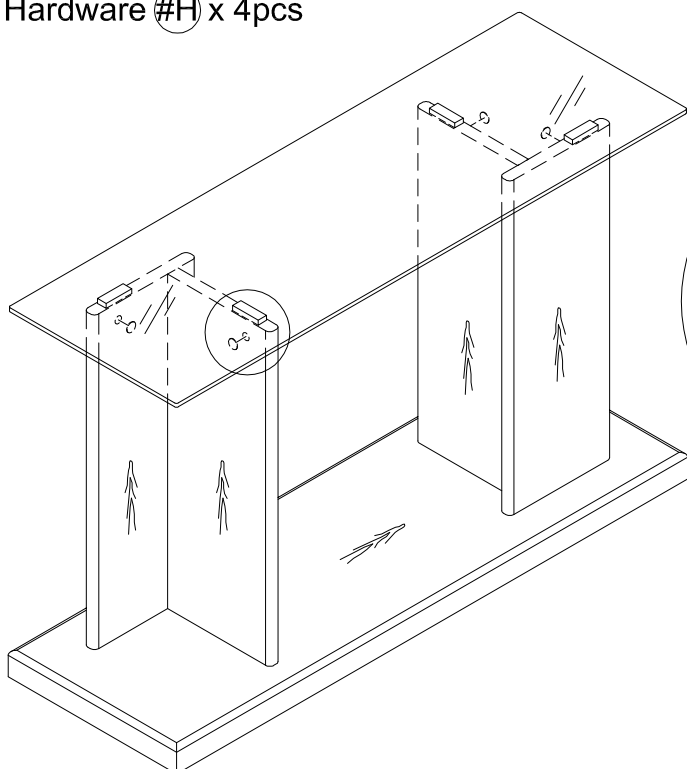


Align cam bolts attached to the glass top (#1), to the boards (#2,3), then secure by using cam locks (#D). Please refer to page 5 on how to properly secure cam locks (#D) onto cam bolts (#C).



## 6

Hardware #H x 4pcs



### ASSEMBLY COMPLETED



Please ensure the furniture rests on an even and flat surface. If the product wobbles or feels loose, double-check all bolts and/or screws are properly tightened and secured.

#### ✓ Keep this handy!

Please retain this instruction manual and any order-related information for future reference.

#### ✓ Lift, don't drag!

To avoid damage to product please always LIFT the product when transporting or adjusting the placement.