

Per Seat Weight Limitation

**100 LBS**

**NOTE:**






This brochure contains  
**IMPORTANT** safety info.  
Please read and keep it  
for future reference.

# MAINTAINANCE AND WARNINGS



## Before You Start

### ***Please follow the steps below:***

-  Check the packaging for any damage, deformation, or water stains. If there is significant damage, please contact us promptly.
-  Open the packaging and confirm that the panels, hardware, screws, etc are complete.
-  Please read the installation instructions carefully to understand the installation steps and precautions to ensure proper installation.
-  Clean the installation area in advance and ensure the ground is level and there is enough space to avoid damaging the furniture or making installation difficult.
-  Lay a protective mat on the ground to prevent scratching the floor during installation.

### ***After-Sales Service***

- If you encounter any issues or need technical support during use, please contact our after-sales team. We offer long-term maintenance and warranty services.



## Precautions

- ⚠ This product for indoor use only. Do not expose it to outdoor elements or high-humidity environments.
- ⚠ Keep the product away from high heat or open flames to prevent fire hazards.
- ⚠ Do not allow children to climb on the product to prevent personal injury caused by tipping



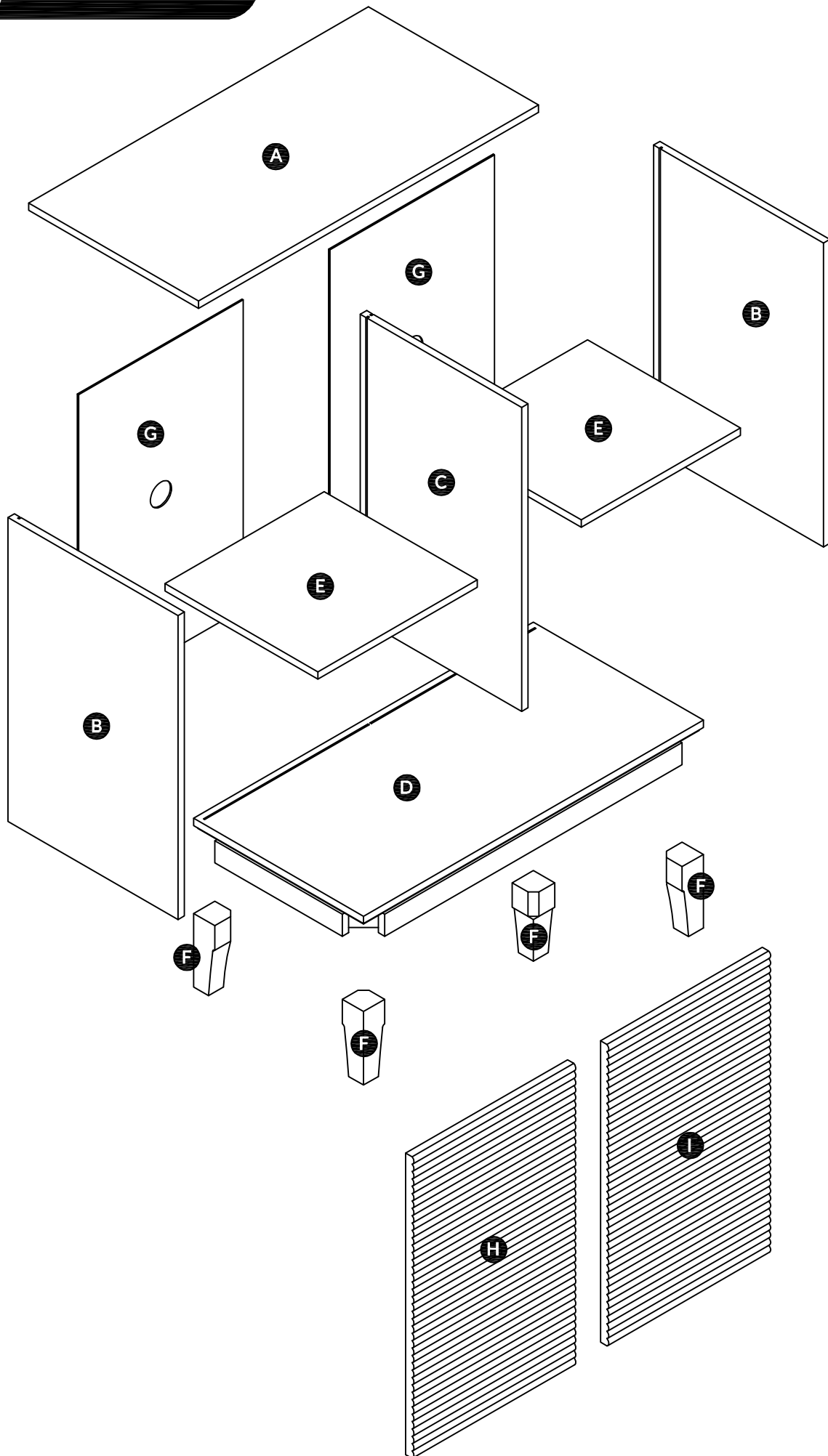
## Safety Warnings

- ⚠ If you notice any loose or damaged parts, stop using the product immediately and contact customer service.
- ⚠ Do not attempt to disassemble or replace any components yourself, as this may affect the stability and safety of the product.

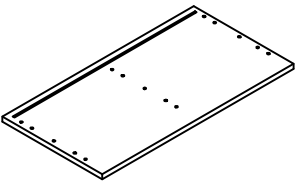
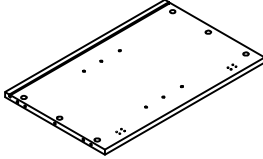
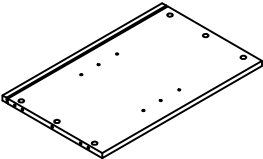
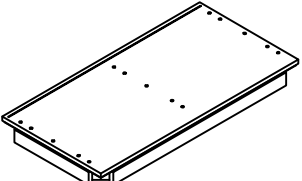
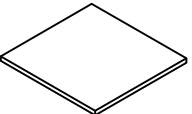

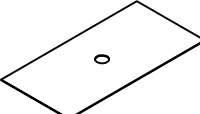
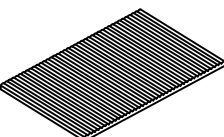
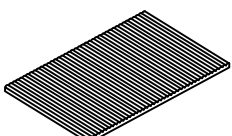
### ***Daily Maintenance***

- Regularly clean the surface of the sofa with a soft cloth to prevent dust accumulation.
- Do not use cleaning agents containing acids, alkalis, or corrosive substances, as they may damage the surface. It is recommended to use neutral cleaning agents or specialized furniture cleaners
- Avoid exposing furniture to humid environments for extended periods to prevent swelling or deformation of the boards. Use a dehumidifier or desiccant during humid weather.
- Avoid direct contact of furniture with water. If water is accidentally spilled, wipe it dry immediately.
- Avoid placing excessively heavy objects on the furniture: ensure the weight is within a reasonable load-bearing range.
- Avoid using sharp or rough items on the furniture surface to prevent scratches, Handle items gently when moving them

# Explosive view

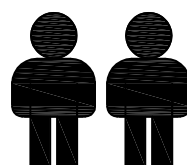


# Parts list

<b>A</b>  x1	<b>B</b>  x2	<b>C</b>  x1	<b>D</b>  x1
<b>E</b>  x2	<b>F</b>  x4	<b>G</b>  x2	<b>H</b>  x1
<b>I</b>  x1			

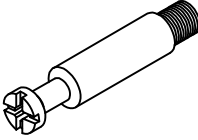

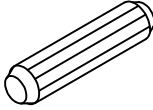
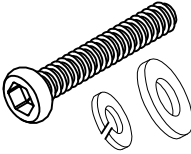

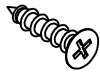
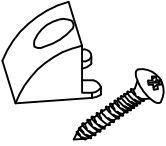
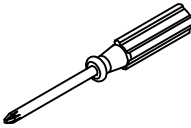
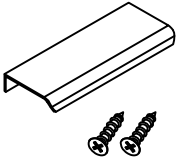
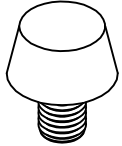
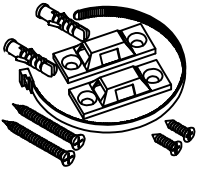
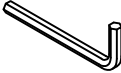
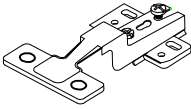


Installation:  
30minutes.



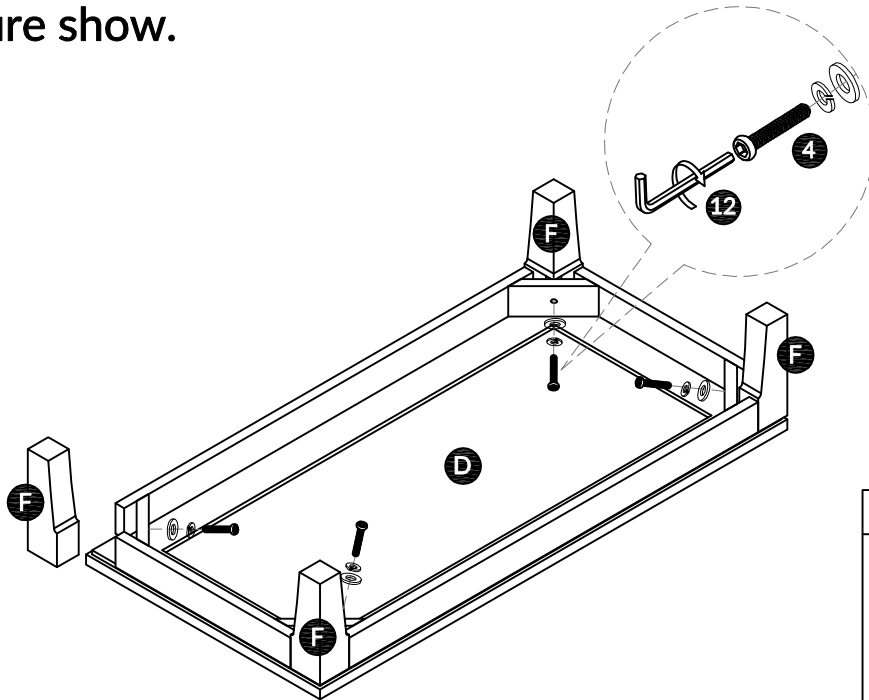
Two Person

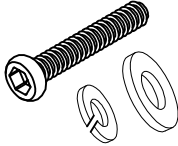
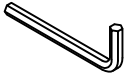
# Hardware List

<b>1</b> x18+1	<b>2</b> x18+1	<b>3</b> x12+1	<b>4</b> x4	<b>5</b> x8
				
D6x35mm	D15x11mm	D6x30mm	M6x40mm	
<b>6</b> x24+2	<b>7</b> x12+2	<b>8</b> x1	<b>9</b> x2	<b>10</b> x4
				
D3.5x14mm	D3x14mm		M3x12mm	
<b>11</b> x1	<b>12</b> x1	<b>13</b> x4		
				
	M4			

## Step 1

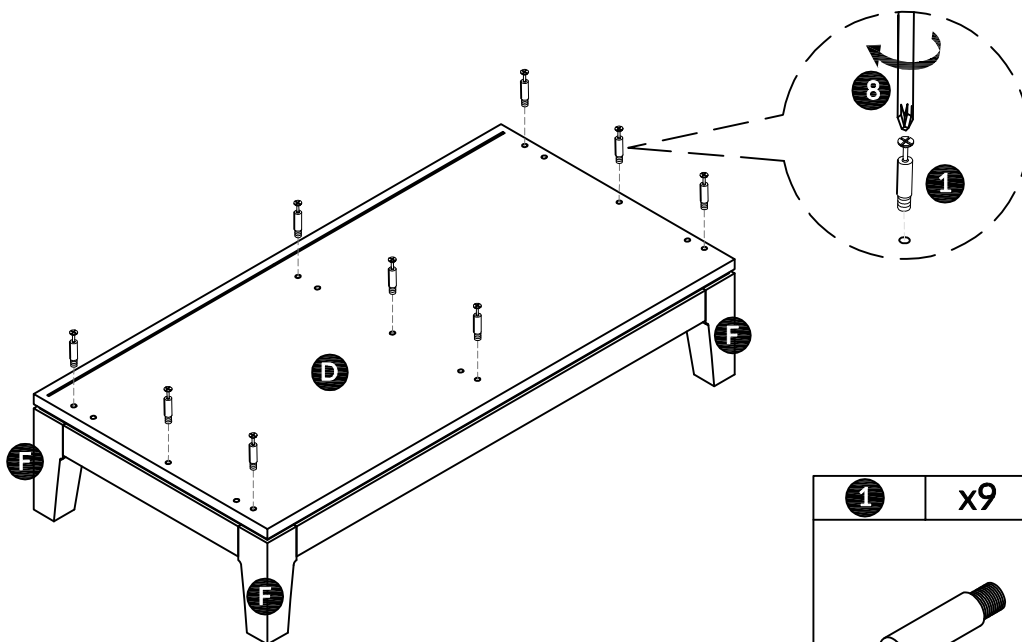
Attach leg(F) into the corresponding hole of bottom panel (D), make sure all holes aligned and use 4 and 12 to tighten it as picture show.

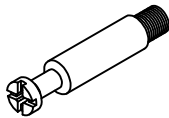
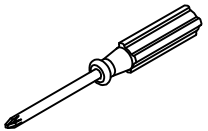


4	x4	12	x1
			
M6x40mm		M4	

## Step 2

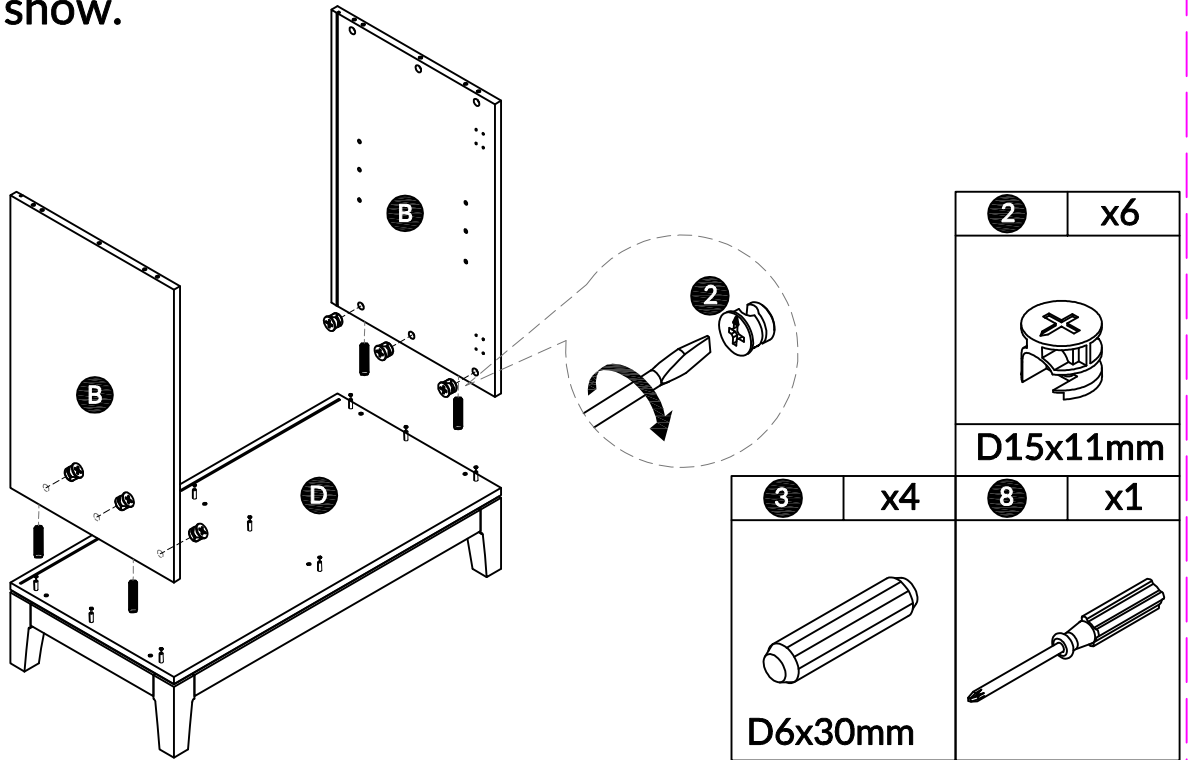
Assemble 1 in to the panel(D) as picture show.



1	x9	8	x1
			
D6x35mm			

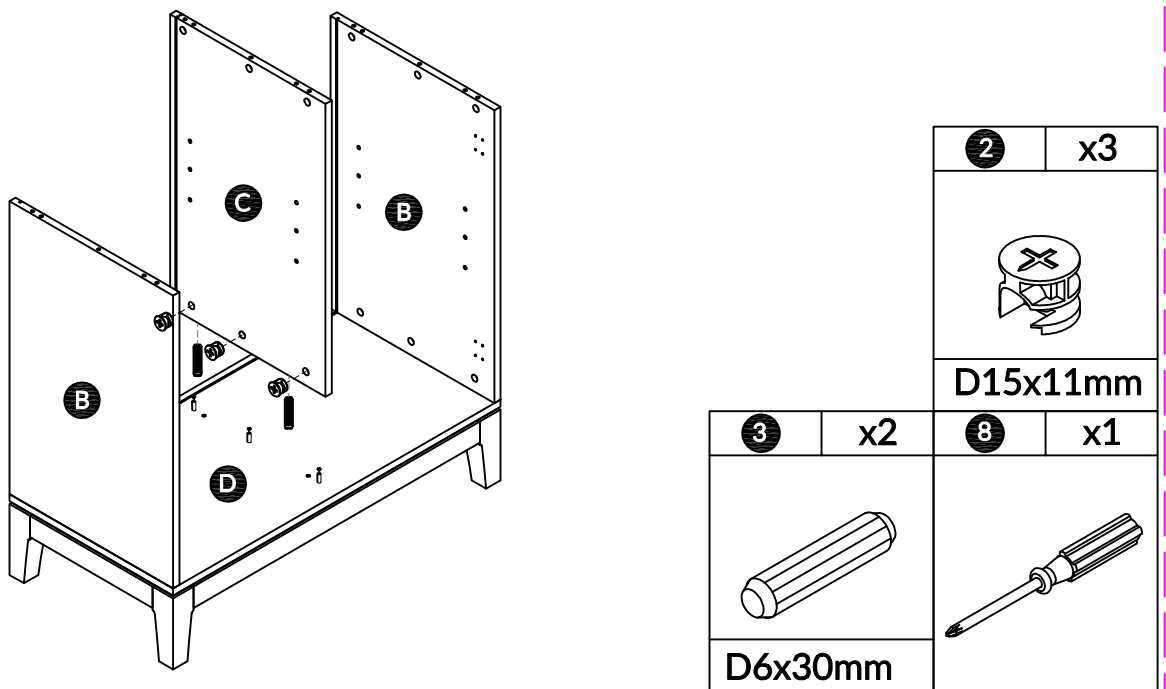
### Step 3

Insert panel (B) into the corresponding hole of bottom panel D, make sure all holes aligned and use combiner 2 and 3 to tighten it as picture show.



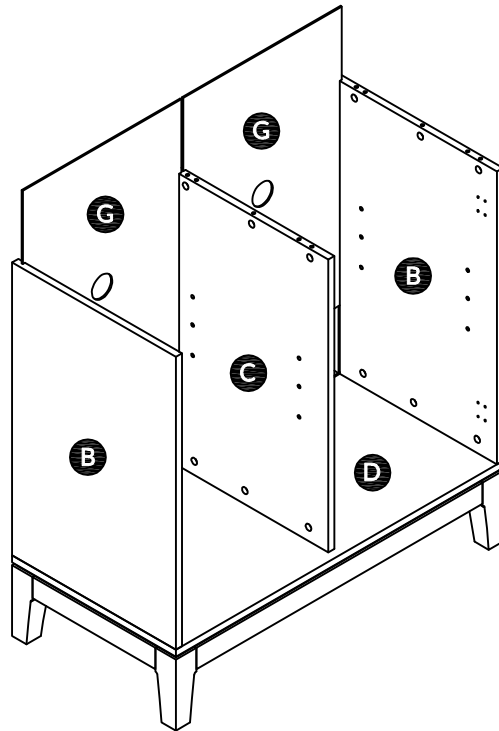
### Step 4

Insert panel (C) into the corresponding hole of bottom panel D, make sure all holes aligned and use combiner 2 and 3 to tighten it as picture show.



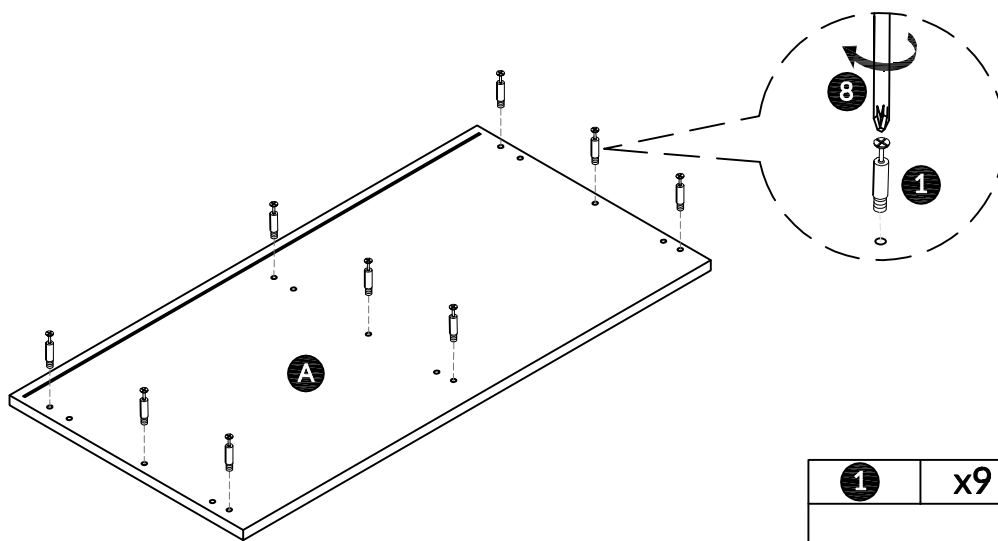
## Step 5

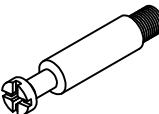
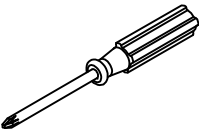
Insert panel (G) into the panel (B/C) as picture show.



## Step 6

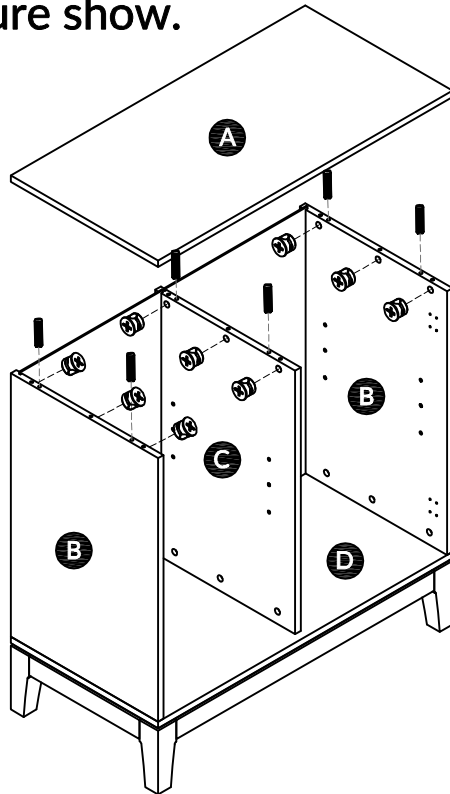
Assemble 1 in to the panel(D) as picture show.


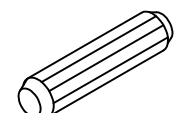
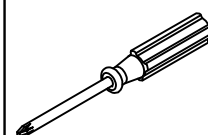


1	x9	8	x1
			
D6x35mm			

## Step 7

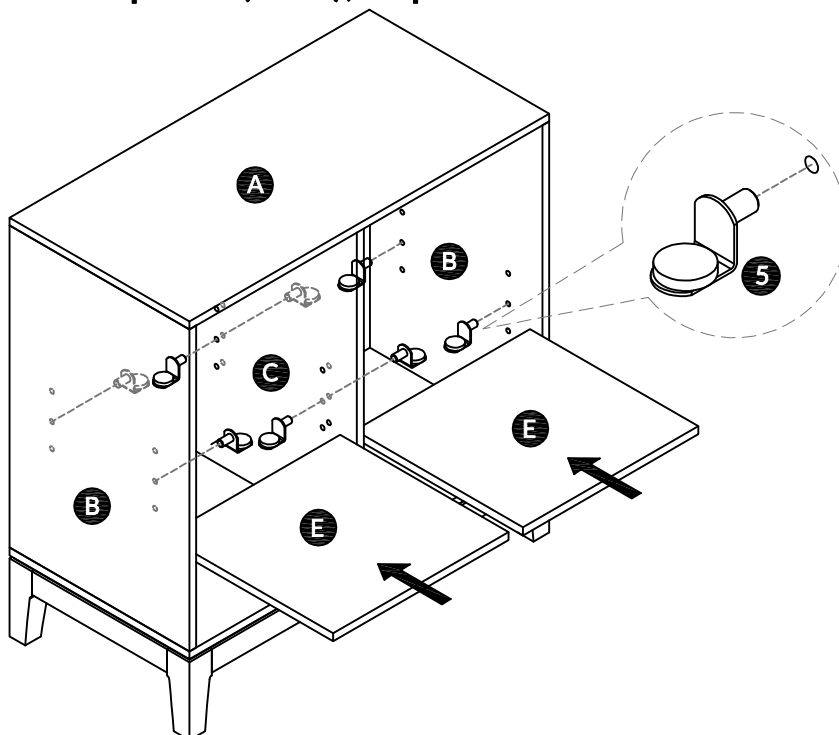
Insert panel (A) into the corresponding hole of bottom panel (B/C), make sure all holes aligned and use combiner 2 and 3 to tighten it as picture show.

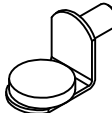


2	x9		
		D15x11mm	
3	x6	8	x1
			
D6x30mm			

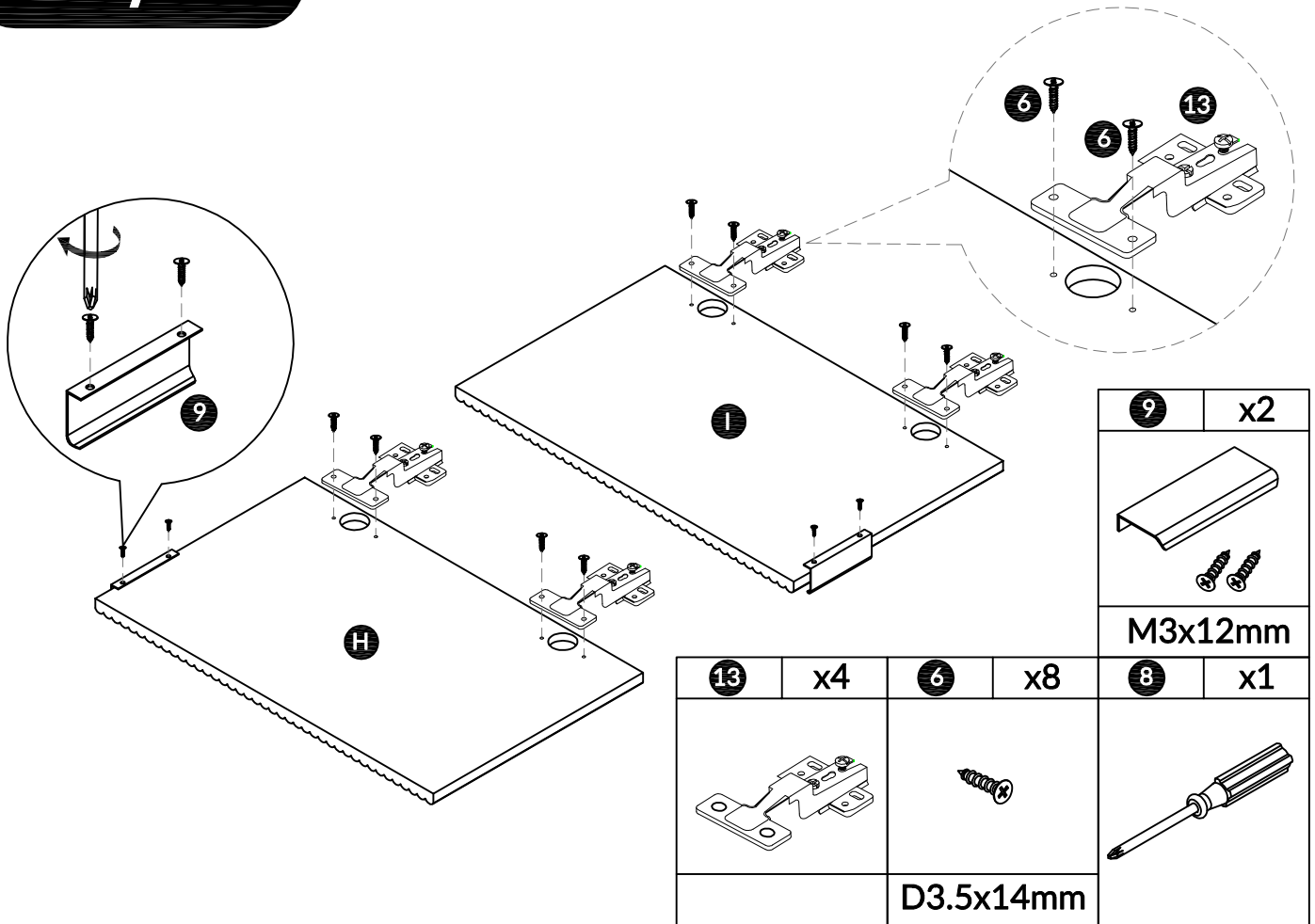
## Step 8

Assemble 5 in to the panel (B/C) as picture show.  
Attach panel E to panel(B/C),as picture show.



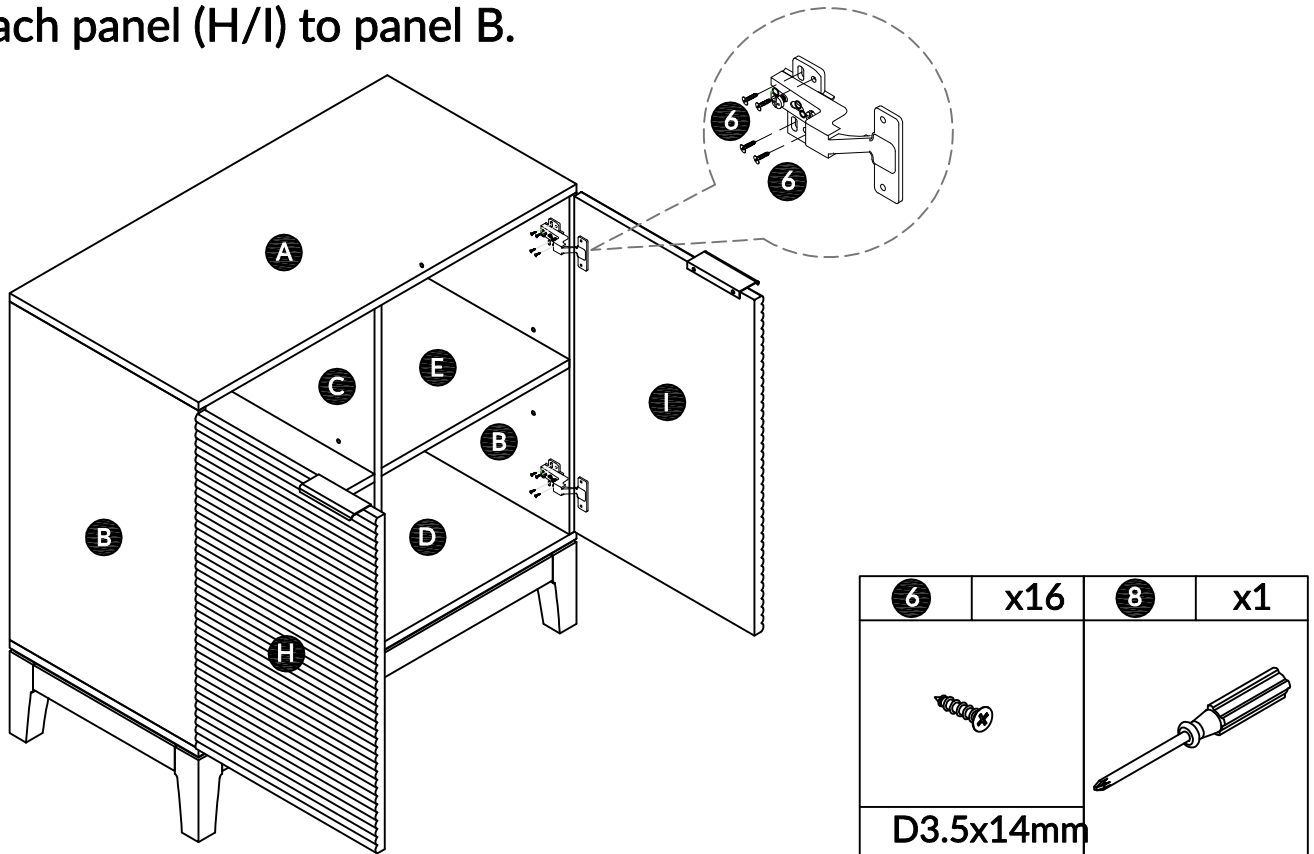
5	x8		
---	----	---	--

## Step 9



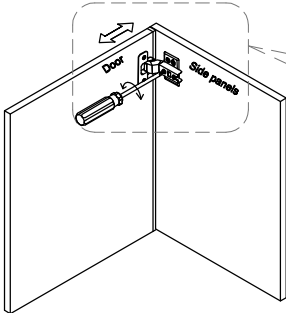
## Step 10

Attach panel (H/I) to panel B.

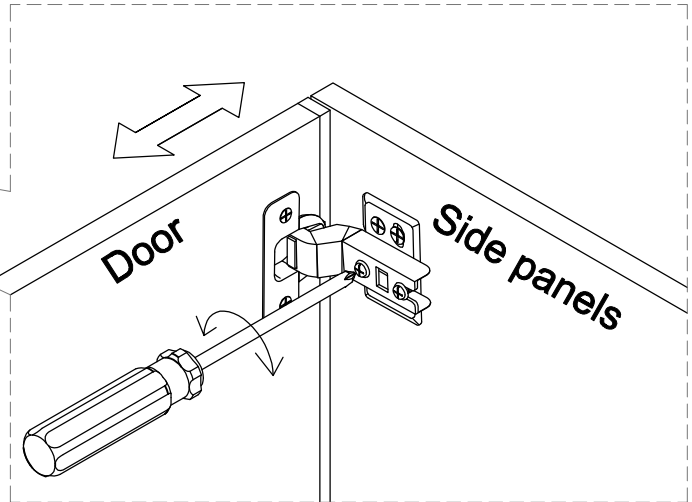


# Door Hinge Adjustment Instructions

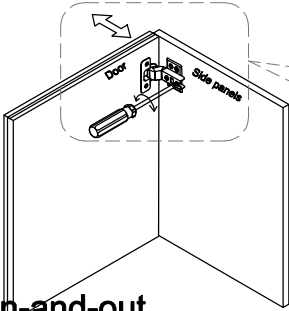
Concealed hinges are three-way adjustable:



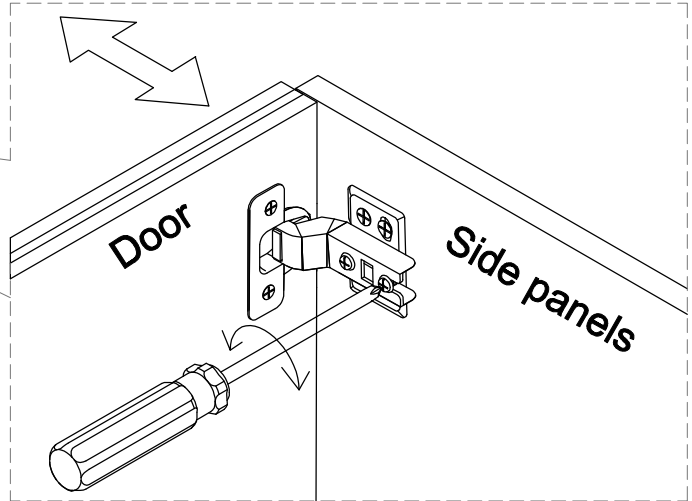
Horizontal  
by screw adjustment!



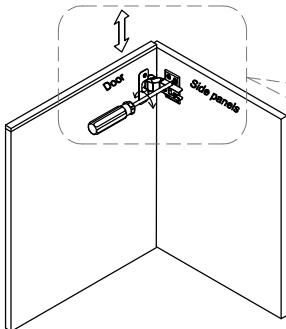
Concealed hinges are three-way adjustable:



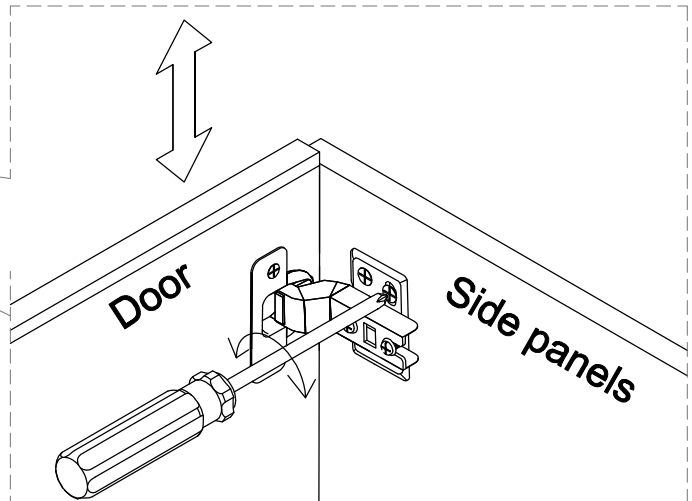
In-and-out  
by loosening the hinge arm  
mounting screw or via cam  
adjustment!



Concealed hinges are three-way adjustable:

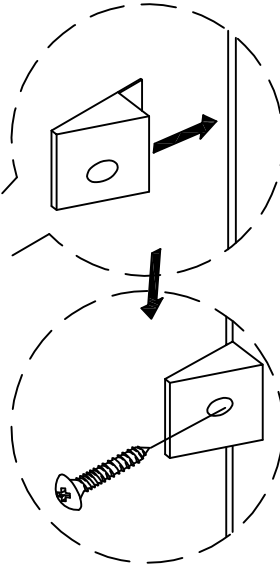
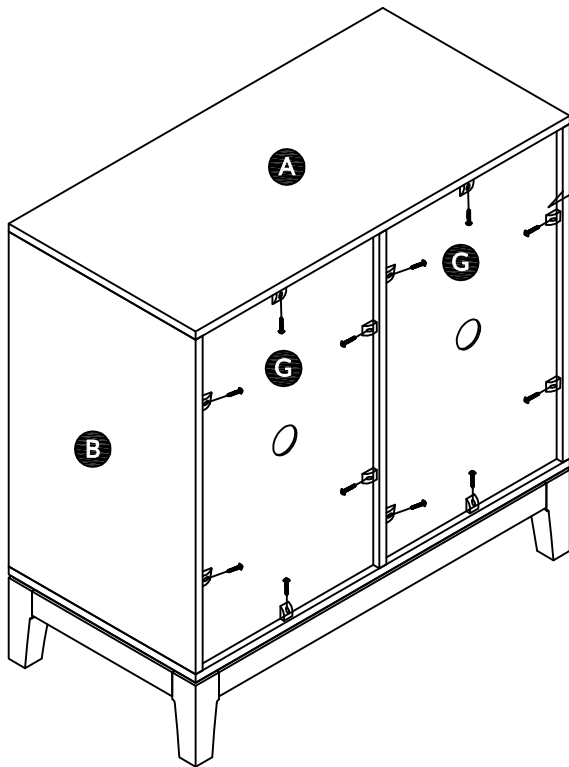


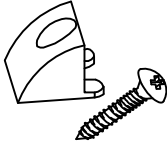
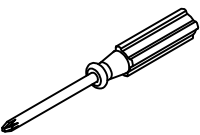
Vertical via slots in  
the mounting plate  
or via cam adjustment!



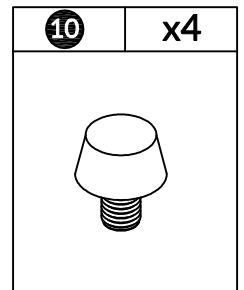
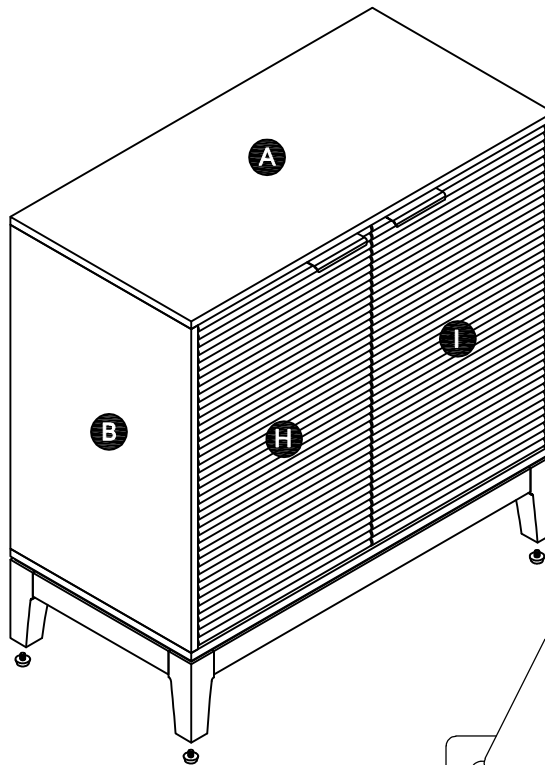
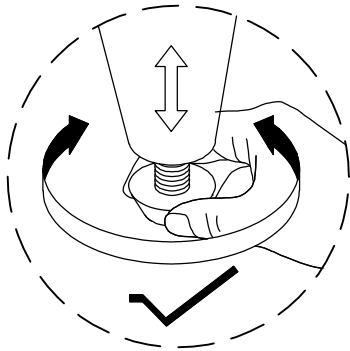
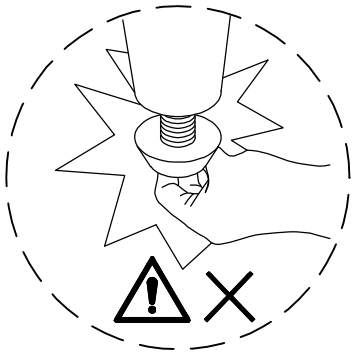
Video for door adjustment

## Step 11



7	x12	8	x1
			
D3x14mm			

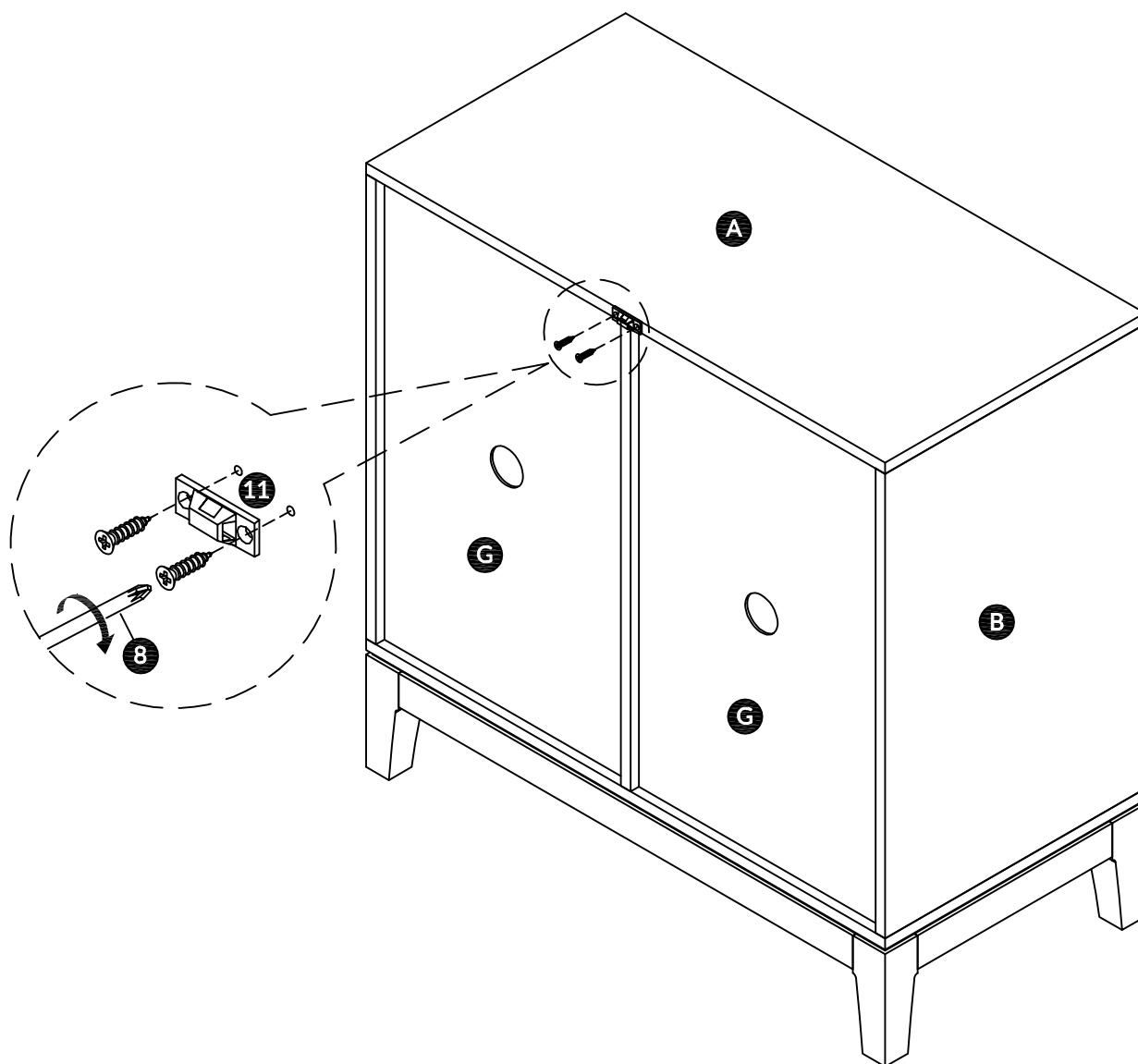
## Step 12

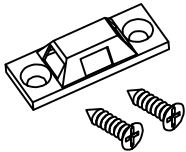
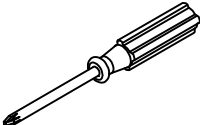


**Attention:**  
Before the next step, adjust  
the feet of the locker to keep  
it level.

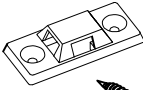
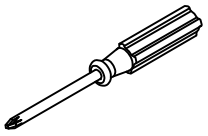
## Step 13

Use screw to attach part 11 to back (A), tight screw with screwdriver 8.

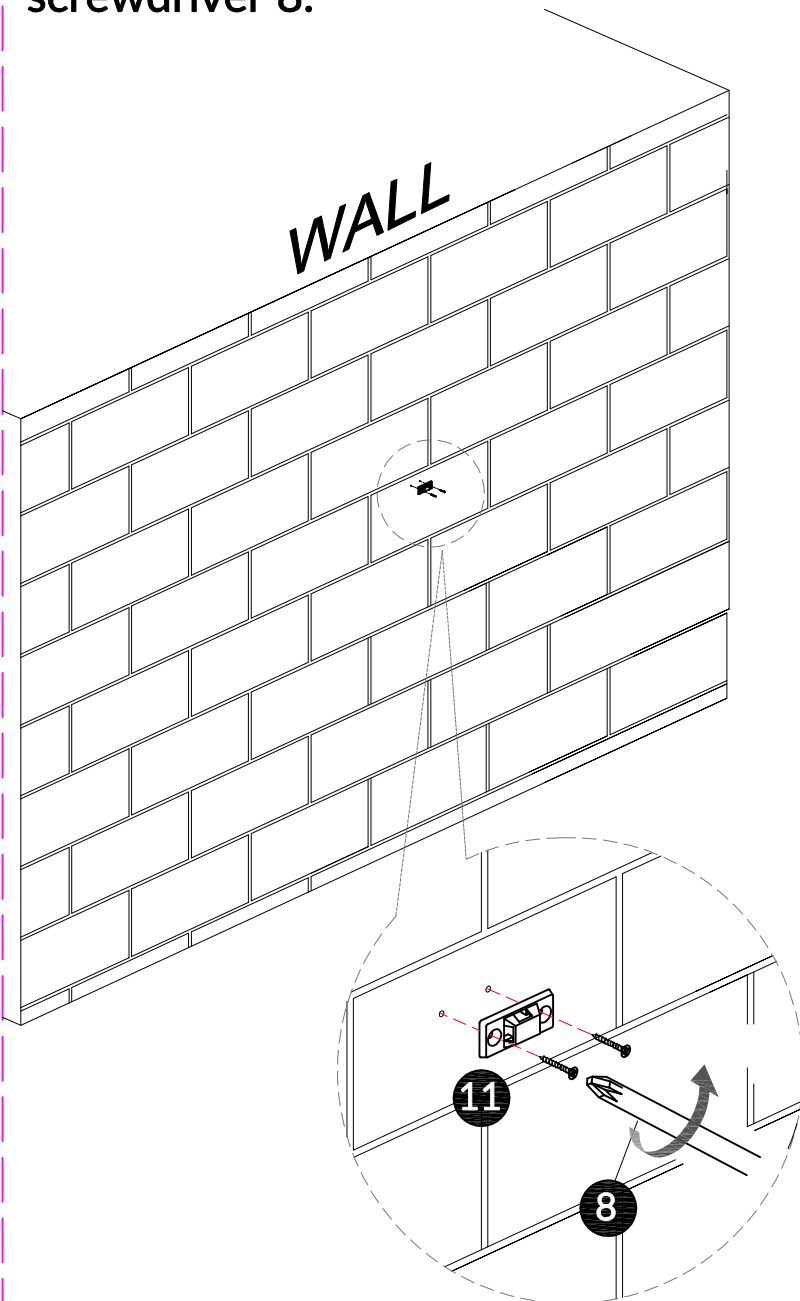


11	x1	8	x1
			
D3x16mm			

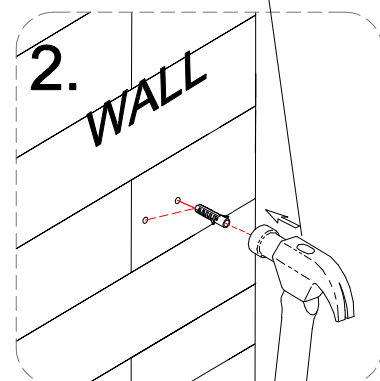
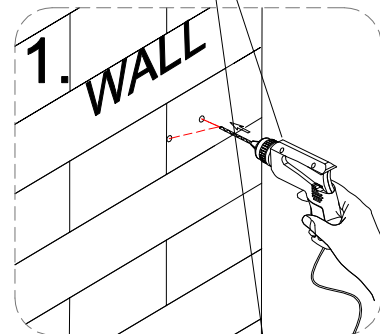
## Step 14

<b>11</b>	x1	<b>8</b>	x1
			
D3.5x35mm			

1. Install the anti-collapse device.
2. Mark the position on the wall, that corresponds to the location of part 11 on the of panel (A); Drill and insert the expandable screw by hammer.
3. Assemble the part 11 to the wall. Align the hole in the part 11 with the expandable screw , use screw to attach it and tighten by screwdriver 8.

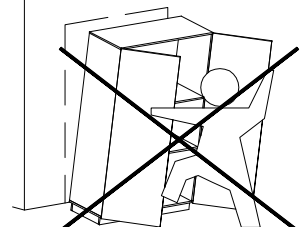
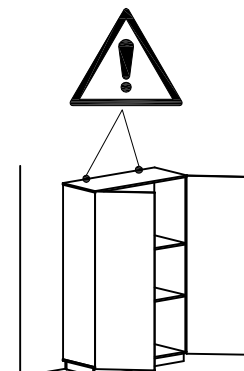
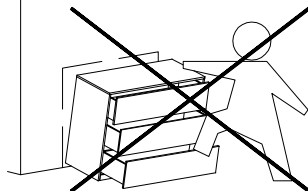
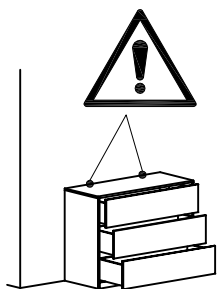
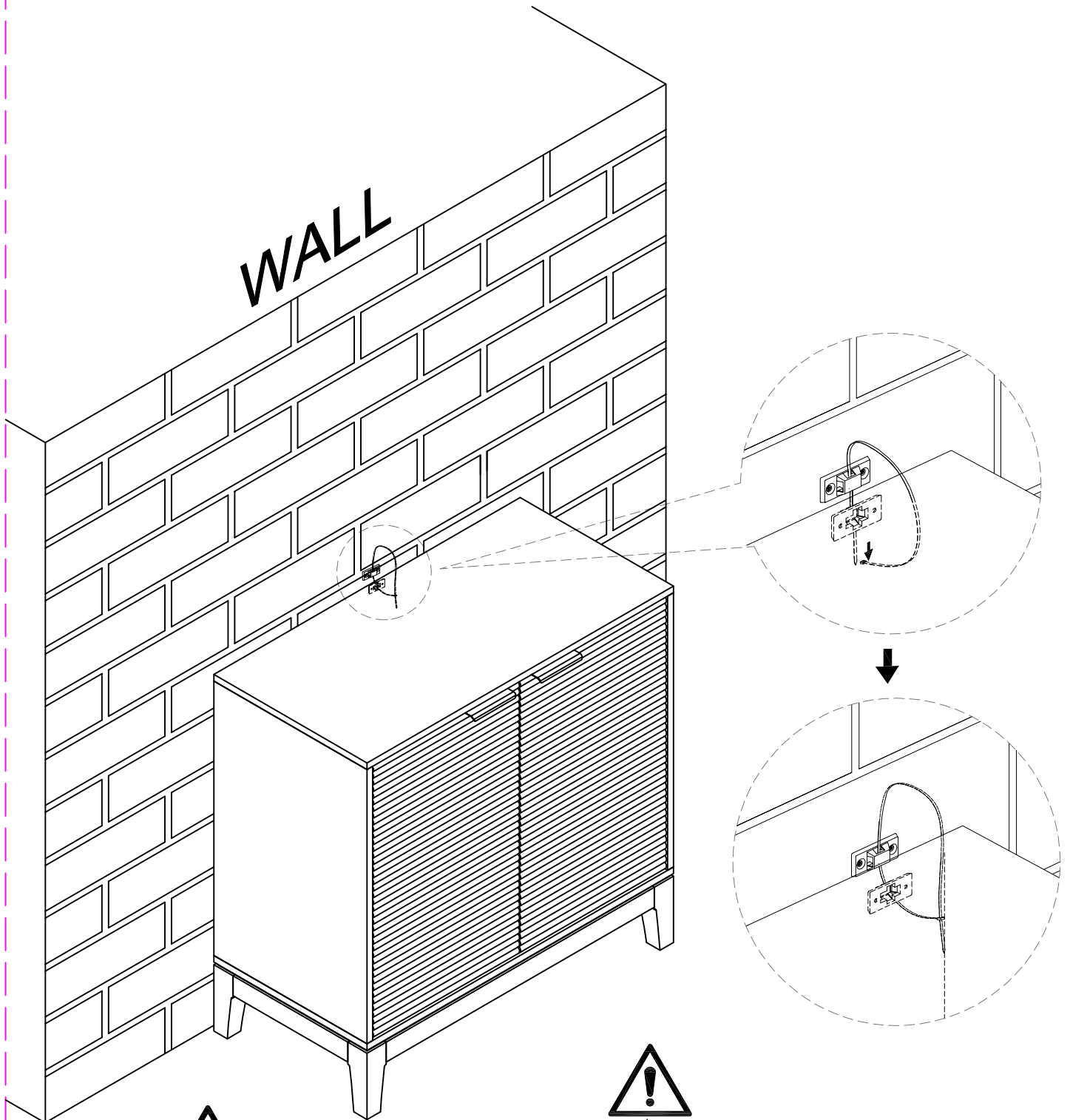


NOT PROVIDED



## Step 15

Let the plastic belt 2 pass through the both part 11 and pull tightly.



# WARRANTY

- We strive to offer quality products, and we also try our best to satisfy every customer who orders from us with products or services as needed.
- We provide 30 days warranty starting from the time you receive the item. Each customer must provide a record of their orders such as the order number, or item receipt for any items that are out of the warranty period you may also still receive.
- Replacement parts by purchasing them from our company if they are available.
- For return, please check the return policy with the retailer or market place you bought from