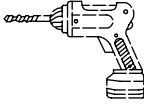
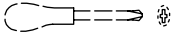
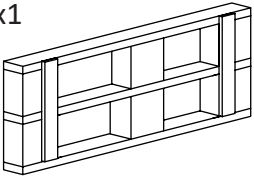
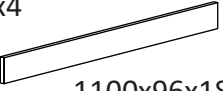
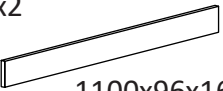


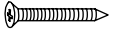
 mm inch x1				Ax1 
Bx4  $\frac{1100 \times 96 \times 18}{43.3 \times 3.8 \times 0.7}$	Cx2  $\frac{1100 \times 96 \times 16}{43.3 \times 3.8 \times 0.6}$	Dx4  $\frac{660}{26.0}$	Ex2  $\frac{550}{21.7}$	Fx40  $M4 \times \frac{40}{1.6}$

