

# Instruction Manual


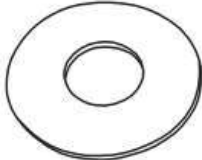


Please save this manual for future reference.

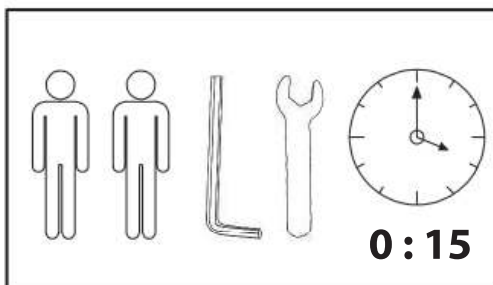
Thank you for purchasing this Luxen Home product. This product has been manufactured with the highest standards of safety and quality.

## PLEASE READ ALL INSTRUCTIONS BEFORE ASSEMBLY.

Unpack all parts from Styrofoam and bubble wrap inside the carton to ensure there are no missing or damaged parts. If any parts are missing or damaged, do not attempt to assemble or use the product.

### Hardware:

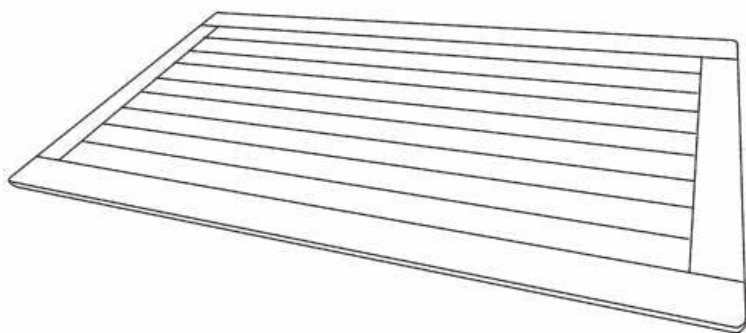
<b>(A) X 8</b>	<b>(B) X 8</b>
 <b>JCBC M6 X 85</b>	
<b>(C) X 8</b>	<b>(D) X 8</b>
	



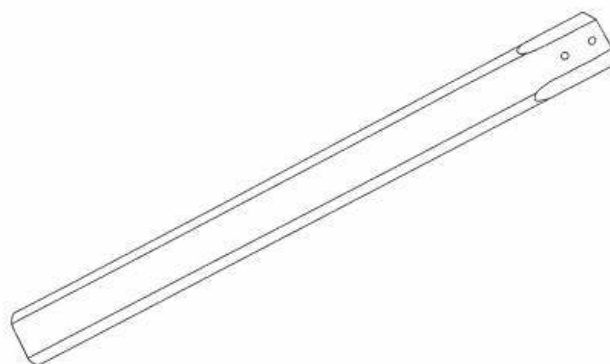
**Tools required for assembly:** Philips screwdriver and Flathead Screwdriver (if using power tools, use with care)

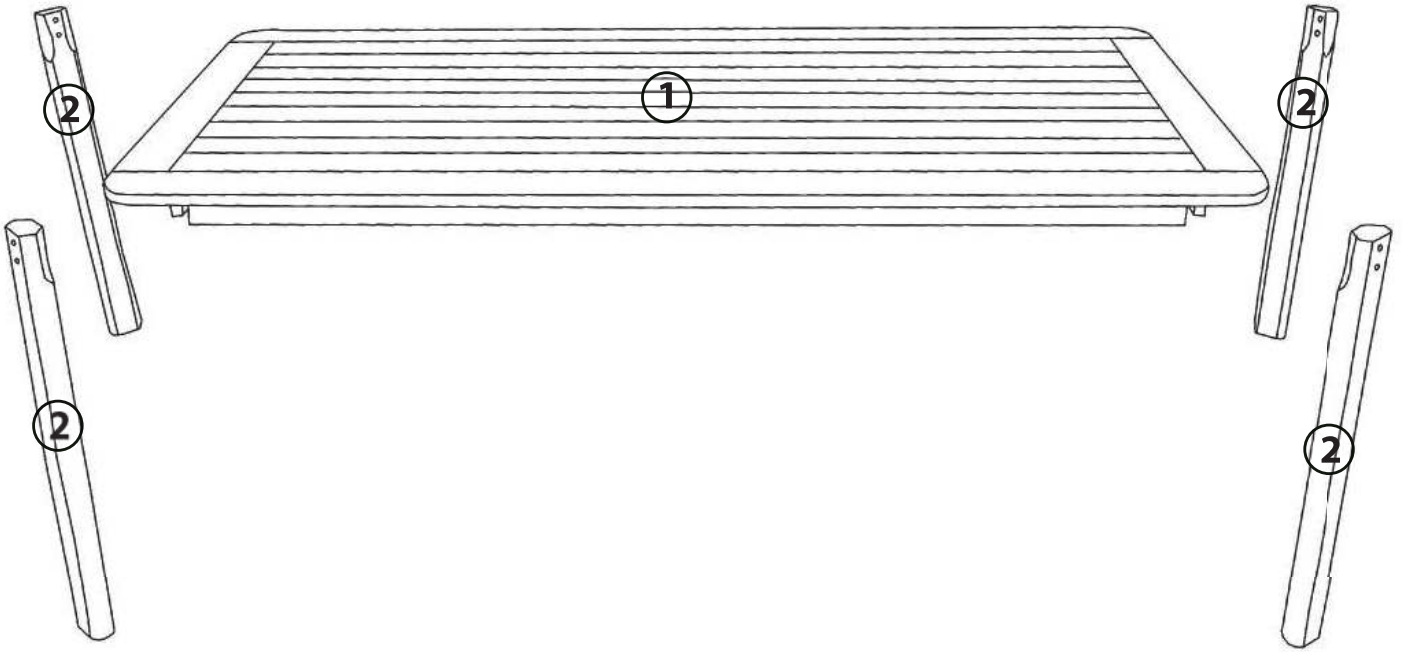
**Panels:**

**① X 1**





**② X 4**





**STEP 1**

<b>A X 8</b>	<b>B X 8</b>
	
<b>C X 8</b>	<b>D X 8</b>
