

All products are trademarks of Nostalgia Products LLC.
Worldwide design & utility patented or patents pending.
© 2021 Nostalgia Products LLC.

www.nostalgiaproducts.com

(rev. 08/12/21 NW)

TACO TUESDAY



TTMSBINV1WG

AC/DC Tailgator Margarator With Inverter Tailgator Margarator avec inverseur Margarina Tailgator con inversor

Instructions and Recipes
Instructions et Recettes
Instrucciones y Recetas

Make every day a party!
Visit www.nostalgiaproducts.com for more fun products.

CONTENTS

IMPORTANT PRECAUTIONS	3
IMPORTANT SAFEGUARDS	3
INTRODUCTION	5
PARTS & ASSEMBLY	6
HOW TO OPERATE	7
HELPFUL TIPS	9
CLEANING & MAINTENANCE	9
RECIPES	10
RETURNS & WARRANTY	13

SAFETY

Your safety and the safety of others is very important.

We have provided many important safety messages in this manual and on your appliance. Always read and obey all safety messages.



This is the safety alert symbol.

This symbol alerts you to potential hazards that can kill or hurt you and others.

All safety messages will follow the safety alert symbol.

All safety messages will tell you what the potential hazard is, tell you how to reduce the chance of injury, and tell you what can happen if the instructions are not followed.

Appliance Specifications:

120 Volts, 60 Hz

150 Watts



THIS PRODUCT IS FOR USE IN 120V AC OUTLET ONLY.

IMPORTANT PRECAUTIONS

1. NEVER immerse the Base or cord in water.
2. NEVER use near water.
3. NEVER leave unit unattended if used near children.
4. NEVER use a scouring pad on the appliance.
5. NEVER use an abrasive sponge or harsh cleaning products on or inside of the appliance.
6. NEVER use for anything other than what this item was originally intended.
7. Avoid contact with moving parts.
8. DO NOT operate this appliance with a damaged cord or plug, or in the event the appliance ever malfunctions.
9. DO NOT place parts in dishwasher.
10. Keep out of reach of children.
11. Unplug appliance from electrical outlet when not in use and before cleaning. Remove plug by gripping the plug body and pulling out of the outlet. Never yank or twist cord to unplug the unit.
12. This appliance is NOT A TOY.
13. This appliance is not intended for use by young children or cognitively challenged individuals without supervision.

IMPORTANT SAFEGUARDS



When using electrical appliances, basic safety precautions should always be followed, including:

1. **Read all instructions before operating this appliance.**
2. NEVER put fingers or utensils into feed or discharge areas.
3. Keep hands and utensils out of container while blending to reduce the risk of severe personal injury or damage to the appliance.
4. To protect against electrical shock do not immerse cord, plug or main unit in water or other liquids.
5. Close supervision is necessary when any appliance is used by or near children.
6. Unplug from outlet when not in use and before removing parts for cleaning.
7. DO NOT operate any appliance with a damaged cord or plug or if the appliance has been damaged in any manner. Return the appliance to the nearest repair shop for examination or repair.
8. The manufacturer does not recommend the use of accessory attachments. Use of attachments may cause injuries.
9. Blades are sharp. DO NOT touch.
10. DO NOT remove Lid when in use.
11. DO NOT let the cord touch hot surfaces.
12. DO NOT place on or near a hot gas or electric burner, or in a heated oven.

13. Extreme caution must be used when moving this appliance with liquids inside.
14. This unit must be on a level surface to operate properly.
15. DO NOT use this appliance for other than its intended use.
16. DO NOT leave unit unattended while in use or when plugged into an outlet.
17. Check inside of the Blending Chamber for foreign objects prior to use.
18. A short power supply cord is provided to reduce the risk resulting from becoming entangled or tripping over a long cord.
19. Extension cord can be used if care is exercised in use.
20. The marked electrical rating of an extension cord should be at least as great as the electrical rating of the appliance.
21. This appliance comes equipped with an AC electrical power cord. It is versatile and can be used indoors or outdoors. DO NOT use near water.
22. Always operate the appliance with cover in place.
23. Make sure the Blending Chamber is properly attached to the Base before turning on unit.
24. DO NOT operate vehicle while using appliance. Under the laws of the United States, it is unlawful to drive a motor vehicle when the ability to do so is materially impaired by the consumption of alcohol.



WARNING:

- Fire Hazard: Do not cover or obstruct the ventilation openings on inverter. Do not install this equipment in a compartment with limited airflow; Overheating may result.
- Always make sure DC cables are connected to clamps and wing nuts are tightly connected to the terminals. Make sure there are no rips or tears on cables - If so, replace immediately.
- Keep Children away from the inverter and its components! The same potentially hazardous or lethal AC power that is found in a normal household 110V/220V AC power outlet can be found in the inverter.
- This appliance is not intended for use by young children or the cognitively challenged without supervision.
- This inverter must only be used with the TACO TUESDAY TAILGATOR MARGARATOR, or any appliance under 200 watts.

Instructions for the Electrical Cord and Plug

1. This appliance has a polarized plug (one blade is wider than the other). To reduce the risk of electrical shock, this plug is intended to fit into a polarized outlet only one way. **If the plug does not fit fully into the outlet, reverse the plug. If it still does not fit, contact a qualified electrician. Do not attempt to modify the plug in any way.**
2. A short power supply cord is provided to reduce the risk resulting from becoming entangled or tripping over a long cord.
3. If a long detachable power-supply cord or extension cord is used:
 - Extension cords can be used if care is exercised in their use.
 - The marked electrical rating of the cord or extension cord should be at least as great as the electrical rating of the appliance.
 - When using a longer cord or extension cord, make sure that the cord does not drape over a countertop or tabletop where it can be pulled on or tripped over unintentionally.
4. The manufacturer does not recommend using this machine in countries that do not support 120V AC even if a voltage adapter, transformer, or converter is in use.

SAVE THESE INSTRUCTIONS!

INTRODUCTION

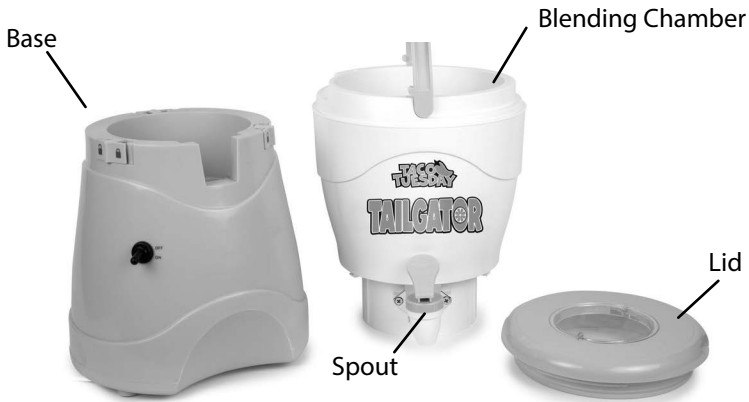
Thank you for purchasing the TAILGATOR MARGARATOR WITH INVERTER from Taco Tuesday! The TAILGATOR MARGARATOR uses crushed ice or small ice cubes from your freezer. It not only makes fantastic margaritas, but can also mix up batches of your other favorite frozen drinks such as daiquiris and slushes for the kids! Equipped with a 12-Volt Inverter, this is perfect for using on the go, especially tailgating!

Features include:

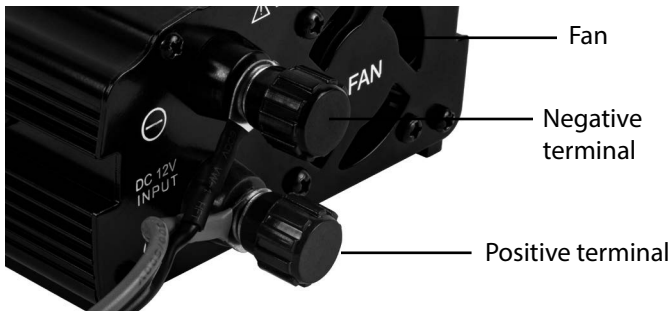
- Comes With 12-Volt Power Inverter So You Can Use In Your Car Anytime Anywhere
- Makes Up To 1-Gallon Of Your Favorite Slush Drinks
- Clear Double-Wall Construction Keeps Drinks Cold For Hours
- Powerful Motor Quickly Shaves Ice To The Perfect Consistency
- Easy-Flow Spout Dispenses Consistently Smooth Frozen Drinks
- Carrying Handle Lifts Easily To Lock And Secure Lid
- Blending Chamber Detaches From Base For Easy Cleanup
- Clear Window In Lid Removes To Easily Add Ice
- Convenient Cord Storage



PARTS & ASSEMBLY



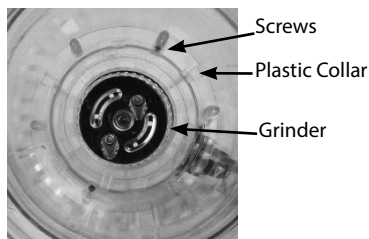
INVERTER



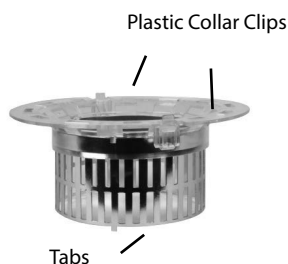
Attaching and Removing the Grinding Cage

It is very important that the Grinding Cage is assembled properly in order for the unit to work.

1. The Grinding Cage is attached to the inside of the Blending Chamber with a round Plastic Collar.
2. Place the Grinding Cage with the smooth end (opposite of end with three tabs) into the Plastic Collar and twist until the notch of the Grinding Cage locks into the protrusion on the Plastic Collar.
3. Turn the assembled Grinding Cage with Plastic Collar over, so Plastic Collar is on the top to insert into the base of Blending Chamber.



4. Looking down into the interior of the Blending Chamber, you will see two stainless steel screws. This is where the clips attached to the Plastic Collar lock the grinding mechanism down.
5. When putting the Plastic Collar into position, align the Tabs with the indents in the base of the Blending Chamber. With firm but gentle pressure, press the Plastic Collar down until the Clips "click" into place.
6. Once everything is in place, make sure the Clips are pushed inward toward the screws to lock the unit into position and lift slightly to ensure the Grinding Cage is locked into position properly and will not release. Lock and unlock Clips carefully to avoid breaking.



NOTE: IF THE PLASTIC COLLAR IS NOT LOCKED PROPERLY THE UNIT WILL GRIND BUT WILL NOT DISPENSE.

Now you are ready to enjoy cold, refreshing margaritas and drinks from your TACO TUESDAY TAILGATOR MARGARATOR!

HOW TO OPERATE

1. Before first use, remove all packaging materials and detach Blending Chamber from Base by sliding the three UNLOCK/LOCK switches to the UNLOCK position.
2. Pour warm, soapy water into the Blending Chamber and dispense all of the soapy water through the Spout.
3. After dispensing all warm, soapy water, rinse by pouring clean water into the Blending Chamber and dispense clean water through the Spout until no soapy residue remains and water comes out clean.
4. Wipe down the TACO TUESDAY TAILGATOR MARGARATOR exterior with a clean, non-abrasive cloth or sponge. Dry interior and exterior thoroughly with dry, non-abrasive cloth or sponge. DO NOT put the Base in water.
5. After drying, firmly attach Blending Chamber to Base by placing the Blending Chamber on top of the Base so that Spout faces forward and slide the three LOCK/UNLOCK switches to the LOCK position.

IMPORTANT: Before operating, take extra care to ensure all switches are in the LOCK position to avoid damaging the unit.

6. If Blending Chamber is attached properly, it will be aligned with Base so that the Spout is over the Drip Tray.
7. Find a stable surface near an electrical outlet before starting. Make sure the cord is away from any water source. It is acceptable to use an extension cord if needed.



OPERATING THE INVERTER: AC/DC Inverter is provided so you can use this for tailgating, camping, or for other recreational use. Using the inverter is simple:

- Plug DC power cord into automobile auxiliary power outlet (common in cars, trucks, boats, etc.) to power on Inverter.
- Plug in the TACO TUESDAY TAILGATOR MARGARATOR or appliance of equal watts or less than 200 into the AC outlet. There is one 110V AC outlet and one USB port.
- Turn the appliance ON to verify that it operates.



WARNING! DO NOT use inverter with any other appliance other than the TACO TUESDAY TAILGATOR MARGARATOR, or any appliance that runs more than 200 Watts.

8. DO NOT place the TACO TUESDAY TAILGATOR MARGARATOR near the edge of a table or countertop.

9. Fill the Blending Chamber with ice and ingredients to the Max Fill line. DO NOT exceed the Max Fill line.
10. To make a batch of margaritas, fill Blending Chamber with ice up to the Max Fill line and then pour three parts concentrated mix (approximately 45 oz.) to 1 part Tequila (approximately 15 oz.). For a slushier mix, less liquid or more ice is recommended. It is NOT recommended that you use fruit.

DO NOT EXCEED THE MAX FILL LIN



11. Place Lid on unit and line up arrows on Lid and Blending Chamber. This is a safety feature and the unit will not turn on without the Lid in the correct position.
12. You can add additional liquid at any time by opening the Clear Window in the Lid. Add more liquid after mixing to reach desired consistency.
13. Plug in unit and turn ON by flipping the switch downward to ON position.
14. Blend for approximately 10 minutes or until mixture has reached the desired consistency.



OFF



ON

15. While the unit is still on, place glass underneath the Spout and dispense the beverage by lifting the Spout handle up. It is recommended to place a towel or other cloth on the table or countertop underneath the Spout to protect against any drips. **NOTE:** the Spout has a locking upright position for filling multiple drink glasses or a pitcher of drinks.
16. If the Spout drips after dispensing, place a glass or container underneath Spout and open

and close the valve by pushing down on the Spout Handle once or twice quickly. Small ice chips can sometimes get caught in the gasket, preventing it from closing completely.

17. Turn off the unit when desired consistency is achieved and it will keep your beverage cold until ready to dispense again.
18. Always dispense beverage with the appliance turned ON. Allow the unit to run for 8 seconds to mix before dispensing if unit has been sitting. When you have finished, turn side knob to OFF position and unplug unit.

HELPFUL TIPS

UNIT IS NOT TURNING ON

- If the unit is not turning on, make sure that it is fully and properly plugged into the outlet.
- Blending Chamber must be firmly attached to Base or unit will not turn on.

BEVERAGE IS NOT DISPENSING

- Add more liquid to Blending Chamber if vacuum occurs around shaving cage during use.
- If the beverage is not dispensing, make sure that the Grinding Cage did not get loose.
- Make sure that there is enough liquid left inside.
- Make sure that switch is flipped up to the ON position.
- Make sure that there aren't any ice chips stuck inside the Spout. Open and close the valve by pushing down on the Spout Handle once or twice quickly.

SAVE ENERGY

- When using in a car, it is suggested to pull the plug out of the sockets when the car, boat, etc. is stopped and shut off to save energy.

CLEANING & MAINTENANCE

1. After using your TACO TUESDAY TAILGATOR MARGARATOR, disconnect from electrical outlet. Remove plug by gripping the plug body and pulling out of the outlet. Never yank or twist cord to unplug the unit.
2. Dispense all remaining liquid from the Blending Chamber.
3. Remove Blending Chamber from Base and fill Blending Chamber with clean water. Dispense all of the water through the Spout until liquid runs clear.
4. Wipe inside and outside of Blending Chamber with a wet, non-abrasive cloth or sponge and dry thoroughly with a soft, non-abrasive towel.
5. Wipe Base with a dry, non-abrasive cloth.
6. DO NOT submerge Blending Chamber or Base in water. When needed, use a damp, non-abrasive cloth to wipe exterior.
7. DO NOT put any parts in the dishwasher.
8. Once washing and drying is complete, reassemble your TACO TUESDAY TAILGATOR MARGARATOR. Wind the cord and return to the convenient storage location in the bottom of the Base. Now your TACO TUESDAY TAILGATOR MARGARATOR is ready to use again.
9. To prolong the life of your TACO TUESDAY TAILGATOR MARGARATOR, be sure to follow the cleaning instructions after every use and make sure that the

Spout is flushed thoroughly while washing the unit to prevent build up.

10. You may need to occasionally remove and clean the Grinding Cage. Refer to the directions in the Parts & Assembly section to perform this function.

RECIPES

Use your imagination to create many different drinks with your TACO TUESDAY TAILGATOR MARGARATOR. Here, you will find several recipes. You can adjust the ingredients to your particular taste, or create your own – so have fun!

The following recipes are based on a single serving size. To make multiple servings (up to 16 8oz servings), multiply each ingredient measurement by the desired number of servings.

BASIC MARGARITA

- 2 Shots Tequila Serves one
- 1 Shot Triple Sec
- 1½ Cups
Margarita Mix
- 1 Shot Freshly
Squeezed Lime Juice
- Salt & Lime Wedge
for Garnishing

STRAWBERRY MANGO MARGARITA

- 1 Shot Tequila Serves one
- 5 oz. Mango Juice
- 3 oz. Strawberry juice
- Salt for Rimming
Glass (optional)

ORANGE JULIUS SLUSH

- 2½-oz. Rum Serves two
- 12-oz. Orange Juice
- 2¼-oz. Vodka

STRAWBERRY DAIQUIRI SLUSH

- 12-oz. Strawberry juice Serves four
- 1½ Cup Light Corn Syrup
- ¾ Cup White Rum
- 3 Tbsp. Fresh Lime Juice
- Lime Slices for Garnishing

BANANA DAIQUIRI

- 1½ Cups White Rum Serves 16
- 1½ Cup Triple Sec
- 1/2 cup Banana liqueur
- 12-oz. Lime Juice
- ½ Cup Sugar
- 12-oz. Citrus Soda

APRICOT SMOOTHIE

- 2-oz. White Rum Serves two
- 1-oz. Triple Sec
- 26-oz. Apricot Juice
- ½-oz. Cream

KAHLUA COLADA

- 1½-oz. Kahlua Serves one
- ½-oz. Rum
- 2¼-oz. Coconut Cream
- 2¼-oz. Pineapple Juice
- ½-oz. Cream

GINGER FRUIT SLUSH

- 6-oz. Ginger Ale Serves four
- 6-oz. Orange Juice
- 1/2 cup Banana
liqueur
- 12-oz. Pineapple Juice

RUM SLUSH

- 1½ Cups Light Rum Serves 16
- 12-oz. Lime Juice
- 12-oz. Lemon Juice
- 24-oz. Citrus Soda

RETURNS & WARRANTY

SHOULD YOUR UNIT NOT WORK OR IF DAMAGED WHEN YOU FIRST TAKE IT OUT OF THE BOX, PLEASE RETURN IT TO THE PLACE OF PURCHASE IMMEDIATELY.

TAILGATOR MARGARATOR WITH INVERTER / TTMSBINV1WG

Should you have any questions, please contact us via email or at the customer service number listed below between the hours of 9:00 AM and 4:00 PM, Monday through Friday, Central Standard Time.

Distributed by:

Nostalgia Products LLC
1471 Partnership Dr.
Green Bay, WI 54304-5685
Customer Service
Phone: (920) 347-9122
Web: www.nostalgiaproducts.com

Customer Service Inquiry

To submit a Customer Service inquiry, go to www.nostalgiaproducts.com and fill out the Customer Service Inquiry form and click the Submit button.

A representative will contact you as soon as possible.

Product Warranty Terms

Nostalgia Products LLC (the "Company") hereby warrants that for a period of one (1) year from the date of original purchase, this product will be free of defects in material and workmanship under normal home use, provided that the product is operated and maintained in accordance with the operating instructions. As the sole and exclusive remedy under this warranty, the Company will at its discretion either repair or replace the product found to be defective, or issue a refund on the product during the warranty period. This warranty is only available to the original retail purchaser of the product from the date of initial retail purchase, and is only valid with the original sales receipt, as proof of purchase date is required to obtain warranty benefits. All warranty claims must be brought to the attention of the Company within the warranty period and no later than 30 days of the failure to perform. This warranty does not cover normal wear or damage caused by shipping, mishandling, misuse, accident, alteration, improper replacement parts, or other than ordinary household use. You may be required to return the product (with shipping prepaid by you) for inspection and evaluation. Return shipping costs are not refundable. The Company is not responsible for returns damaged or lost in transit. Unless otherwise specifically permitted by the operating instructions, this warranty applies to indoor household use only. In order to obtain service under this warranty, please contact the Company at the telephone number listed above or by filling out the Customer Service Inquiry Form located at www.nostalgiaproducts.com. Warranty valid only in USA and Canada.

This warranty is in lieu of all other warranties, expressed or implied, including warranties of merchantability and fitness for a particular purpose, which are hereby excluded to the extent permitted by law. In no event shall the Company be liable for any indirect, incidental, consequential, or special damages arising out of or in connection with this product or the use thereof. Some states, provinces or jurisdictions do not permit the exclusion or limitation of incidental or consequential damages, so the foregoing exclusion or limitation may not apply to you.

This warranty does not apply to re-manufactured merchandise.

Please read the operating instructions carefully. Failure to comply with the operating instructions will void this warranty.

For more information, visit us online at www.nostalgiaproducts.com.

Like us on Facebook at www.facebook.com/NostalgiaElectrics.

Follow our boards on Pinterest at www.pinterest.com/nostalgiaelctrx.

Tweet along with us on Twitter at www.twitter.com/NostalgiaElctrx.

Faire une fête tous les jours!
Visiter le site Web www.nostalgiaproducts.com pour
d'autres produits agréables.

TABLE DES MATIÈRES

PRÉCAUTIONS IMPORTANTES	15
MISES EN GARDE SÉCURITAIRES IMPORTANTES	15
INTRODUCTION	17
PIÈCES ET ASSEMBLAGE	18
COMMENT FAIRE FONCTIONNER	19
CONSEILS PRATIQUES	21
NETTOYAGE ET ENTRETIEN	21
RECETTES	22
RETOUR ET GARANTIE	25

SÉCURITÉ

Votre sécurité tout comme celle des autres est primordiale.

Ce manuel renferme plusieurs avis importants sur la sécurité lors de l'utilisation de votre appareil. Lire le manuel et conformez-vous aux avis contre-indiqués.



Ceci représente le symbole d'avertissement pour votre sécurité.

Ce symbole vous alerte des dangers potentiels, pouvant vous être fatals à vous ou envers d'autres utilisateurs.

Ce symbole d'alerte à la sécurité suivra tous les avis relatifs à la sécurité.

Tous les avis sécuritaires indiqueront le danger potentiel exact, la façon dont vous pouvez réduire vos chances de blessure et vous indiquerons les conséquences potentielles si vous ne suivez pas ces instructions à la lettre.

Spécifications des Appareils:

120 Volts, 60 Hz

150 Watts, approbation ETL



CE PRODUIT DOIT ÊTRE UTILISÉ UNIQUEMENT DANS UNE PRISE DE COURANT DE 120 V CA.

PRÉCAUTIONS IMPORTANTES

1. NE JAMAIS plonger le Socle ou le cordon dans l'eau.
2. NE JAMAIS utiliser l'appareil près de l'eau.
3. NE JAMAIS laisser l'appareil sans surveillance lorsqu'il est utilisé à proximité des enfants.
4. NE JAMAIS utiliser de tampon à récurer sur l'appareil.
5. NE JAMAIS utiliser d'éponge abrasive ou de produit nettoyant caustique sur ou à l'intérieur de l'appareil.
6. NE JAMAIS utiliser cet appareil à un usage autre que celui pour lequel il a été initialement prévu.
7. Éviter de toucher les pièces mobiles.
8. NE PAS faire fonctionner le présent appareil lorsque le cordon ou la fiche est endommagé(e) ou qu'il ne fonctionne pas correctement.
9. NE PAS mettre les pièces au lave-vaisselle.
10. Garder hors de la portée des enfants.
11. Débrancher de la prise de courant lorsque l'appareil n'est pas utilisé et avant de le nettoyer. Retirer la fiche en la saisissant par le corps et en la retirant de la prise de courant. Ne jamais tirer sur le cordon ou le tordre pour débrancher l'appareil
12. Cet appareil n'est PAS UN JOUET.
13. Le présent appareil n'est pas prévu pour être utilisé par de jeunes enfants non supervisés ou des individus ayant une déficience cognitive.

MISES EN GARDE SÉCURITAIRES IMPORTANTES



Des mesures de précaution de base devraient toujours être suivies au moment de l'utilisation d'un appareil électrique, y compris :

1. **Lisez toutes les instructions avant d'utiliser cet appareil.**
2. NE JAMAIS mettre les doigts ou les ustensiles dans les orifices d'entrée ou de sortie.
3. Garder les mains et les ustensiles hors du récipient au moment de mélanger pour réduire le risque de blessures corporelles graves ou ne pas endommager l'appareil.
4. Pour se protéger contre l'électrisation, ne pas plonger le cordon, la fiche ou l'appareil principal dans l'eau ou autre liquide.
5. Une surveillance étroite des enfants est nécessaire lorsque quelque appareil électrique est utilisé par des enfants ou à leur proximité.
6. Débrancher de la prise murale lorsqu'il n'est pas utilisé, avant de retirer des pièces ou de le nettoyer.
7. NE PAS faire fonctionner l'appareil lorsque le cordon ou la fiche est endommagé(e) ou qu'il a été endommagé de quelque façon que ce soit. Retourner l'appareil à l'atelier de réparation le plus près pour qu'il soit évalué ou réparé.
8. Le fabricant recommande l'utilisation d'aucun accessoire. L'utilisation d'accessoires pourra provoquer des blessures.
9. Les lames sont tranchantes. NE PAS toucher.
10. NE PAS retirer le Couvercle lorsque l'appareil est en marche.
11. NE PAS laisser le cordon toucher des surfaces chaudes.

12. NE PAS placer sur un brûleur au gaz ou électrique ou à proximité ou sur un four chaud.
13. Une attention toute particulière doit être accordée au moment de déplacer le présent appareil avec un liquide à l'intérieur.
14. Le présent appareil doit être posé sur une surface plane pour qu'il fonctionne correctement.
15. NE PAS utiliser l'appareil à un usage autre que celui pour lequel il est prévu.
16. NE PAS laisser l'appareil sans surveillance lorsqu'il est utilisé ou branché dans une prise de courant.
17. Vérifier la présence d'objets étrangers dans le Mélangeur avant son utilisation.
18. Un cordon d'alimentation court est prévu pour diminuer le risque d'emmêlement ou de trébuchement que peut présenter un long cordon.
19. Faire preuve de prudence au moment d'utiliser une rallonge.
20. La puissance nominale électrique indiquée de la rallonge devrait être aussi élevée que celle de l'appareil.
21. Le présent appareil possède une fiche polarisée (l'une des lames est plus large que l'autre). Pour réduire le risque d'électrisation, cette fiche est destinée à ne s'insérer dans une prise polarisée que d'une seule façon.
22. Le présent appareil possède un cordon d'alimentation électrique CA. Il est polyvalent et peut être utilisé tant à l'intérieur qu'à l'extérieur. NE PAS utiliser près d'une source d'eau.
23. Toujours faire fonctionner l'appareil avec le couvercle en place.
24. S'assurer que le Mélangeur est correctement fixé au Socle avant de mettre l'appareil en marche.



AVERTISSEMENT :

- Risque d'incendie : Ne couvrez pas et n'obstruez pas les ouvertures de ventilation de l'onduleur. N'installez pas cet équipement dans un compartiment avec un débit d'air limité; Une surchauffe peut en résulter.
- Assurez-vous toujours que les câbles CC sont connectés aux pinces et que les écrous à oreilles sont fermement connectés aux bornes. Assurez-vous qu'il n'y a pas de déchirures ou de déchirures sur les câbles - Si c'est le cas, remplacez-les immédiatement.
- Tenez les enfants éloignés de l'onduleur et de ses composants ! La même alimentation CA potentiellement dangereuse ou mortelle que celle trouvée dans une prise de courant CA 110V / 220V domestique normale peut être trouvée dans l'onduleur.
- Les enfants laissés sans surveillance et les personnes ayant une déficience cognitive ne devraient jamais utiliser cet appareil.
- Cet onduleur ne doit être utilisé qu'avec le TACO TUESDAY TAILGATOR MARGARATOR ou tout appareil de moins de 200 watts.

Instructions pour le cordon électrique et la prise

1. Cet appareil est équipé d'une fiche polarisée (une broche est plus large que l'autre). Pour réduire le risque de choc électrique, cette fiche est conçue pour s'insérer dans une prise polarisée qu'une seule façon. Si la fiche ne s'insère pas complètement dans la prise, inversez la fiche. Si elle ne s'enfonce toujours pas, contactez un électricien qualifié. N'essayez en aucun cas de modifier la fiche.
2. Un court cordon d'alimentation est fourni pour réduire les risques d'enchevêtrement ou risques de trébucher sur un cordon plus long.
3. Si un cordon d'alimentation amovible ou une rallonge est utilisée :
 - Rallonges électriques peuvent être utilisées avec prudence.
 - La puissance électrique spécifiée pour le jeu de câbles ou de la rallonge doit être au moins aussi élevée que la puissance électrique de l'appareil.

- Lorsque vous utilisez une corde plus longue ou rallonge électrique, assurez-vous que celle-ci ne pende pas au-delà du comptoir ou d'une table où elle peut faire trébucher ou être tirée.
4. Le fabricant ne recommande pas l'utilisation de cette machine dans les pays qui ne supportent pas les tensions de 120V AC, même si un adaptateur de tension, un transformateur ou un convertisseur est utilisé.

CONSERVEZ CES INSTRUCTIONS!

INTRODUCTION

Merci d'avoir acheté le TAILGATOR MARGARATOR WITH INVERTER de Taco Tuesday ! Le TAILGATOR MARGARATOR utilise de la glace pilée ou de petits glaçons de votre congélateur. Cela fait non seulement de fantastiques margaritas, mais peut également mélanger des lots de vos autres boissons glacées préférées telles que les daiquiris et les barbotines pour les enfants ! Équipé d'un onduleur 12 volts, il est parfait pour une utilisation en déplacement, en particulier pour les fêtes d'avant-match !

Les caractéristiques comprennent :

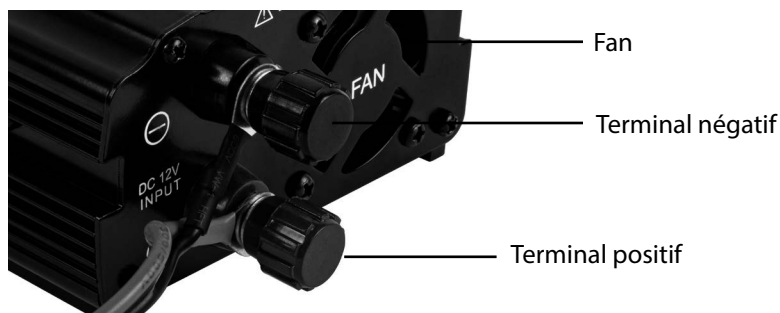
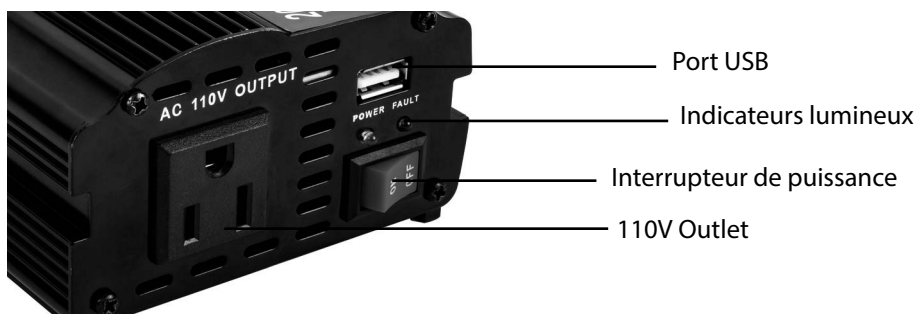
- Livré avec un onduleur de 12 volts pour que vous puissiez l'utiliser dans votre voiture n'importe quand et n'importe où
- Donne jusqu'à 1 gallon (3,8 L) de vos boissons barbotines préférées
- La construction transparente à double paroi garde les boissons froides pendant des heures
- Le moteur puissant rase rapidement la glace à la cohérence parfaite
- Le bec Easy-Flow distribue des boissons congelées toujours lisses
- La poignée de transport se soulève facilement pour verrouiller et sécuriser le couvercle
- La chambre de mélange se détache de la base pour un nettoyage facile
- La fenêtre transparente dans le couvercle s'enlève pour ajouter facilement de la glace
- Rangement pratique du cordon



PIÈCES ET ASSEMBLAGE



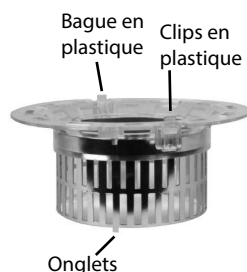
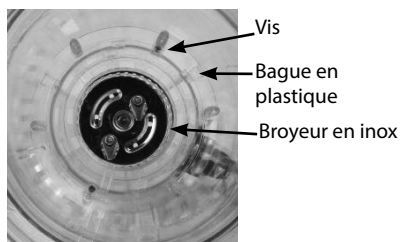
INVERTER



Pose et dépose du Broyeur

Le Broyeur en inox doit être assemblé correctement pour que l'appareil fonctionne.

1. Le Broyeur en inox est fixé à l'intérieur du Mélangeur avec une Bague en plastique ronde.
2. Poser le Broyeur en inox avec l'extrémité lisse (extrémité opposée avec trois onglets) dans la Bague en plastique, puis tourner jusqu'à ce que le cran du Broyeur en inox se bloque dans la saillie de la Bague en plastique.
3. Retourner le Broyeur en inox avec la Bague en plastique, de sorte que la Bague en plastique soit sur le dessus afin de l'insérer dans la base du Mélangeur.
4. Regardant vers le bas à l'intérieur du Mélangeur, il y a deux vis en inox. Les clips fixés à la Bague en plastique verrouillent en place le mécanisme de broyage.
5. Au moment de positionner la Bague en plastique, aligner les Onglets avec les cavités dans la base du Mélangeur. Appuyer fermement, mais doucement, sur la Bague en plastique jusqu'à ce que les Clips « cliquent » en place.
6. Une fois que tout sera en place, s'assurer que les Clips sont enfoncés vers les vis, à l'intérieur, pour bloquer l'appareil en position, puis le soulever légèrement pour que le Broyeur en inox soit verrouillé correctement et qu'il ne se détache pas. Verrouiller, puis déverrouiller les Clips pour éviter les bris.



REMARQUE : SI LA BAGUE EN PLASTIQUE N'EST PAS VERROUILLÉE CORRECTEMENT L'APPAREIL BROIERA, MAIS RIEN NE VERSERA.

Maintenant, déguster des margaritas et des boissons rafraîchissantes et glacées avec la MACHINE À MAREGARITA!

COMMENT FAIRE FONCTIONNER

1. Avant la première utilisation, enlever tous les matériaux d'emballage et détacher le Mélangeur du Socle en faisant glisser les trois interrupteurs de VERROUILLAGE/DÉVERROUILLAGE à la position DÉVERROUILLAGE.
2. Verser l'eau chaude savonneuse dans le Mélangeur, puis verser toute l'eau savonneuse par le Bec verseur.
3. Après avoir versé toute l'eau savonneuse, rincer en versant de l'eau propre dans le Mélangeur, puis faire sortir l'eau propre par le Bec verseur jusqu'à ce qu'il ne reste plus aucun résidu de savon et que l'eau en ressorte propre.
4. Essuyer l'extérieur de la MACHINE À MAREGARITA avec un chiffon ou une éponge non abrasif(ve), propre. Assécher soigneusement l'intérieur ou l'extérieur avec un chiffon ou une éponge non abrasif(ve), propre. NE PAS plonger le Socle dans l'eau.
5. Une fois séchée, fixer solidement le Mélangeur au Socle en plaçant celui-ci sur le dessus du Socle de sorte que le Bec verseur pointe vers l'avant, puis faire glisse les trois interrupteurs de VERROUILLAGE/DÉVERROUILLAGE à la position VERROUILLAGE. IMPORTANT: Avant de commencer, faire très attention pour vous assurer que tous les interrupteurs sont en position LOCK pour éviter d'endommager l'appareil.

- Lorsque le Mélangeur sera correctement fixé, il sera aligné avec le Socle de sorte que le Bec verseur se trouvera au-dessus du Ramasse-goutte.
- Trouver une surface stable, à proximité d'une prise de courant avant de commencer. S'assurer que le cordon est éloigné de toute source d'eau. L'utilisation d'une rallonge est acceptable, le cas échéant.



FONCTIONNEMENT DE L'ONDULEUR : Un onduleur CA / CC est fourni pour que vous puissiez l'utiliser pour le talonnage, le camping ou pour toute autre utilisation récréative. L'utilisation de l'onduleur est simple :

- Branchez le cordon d'alimentation CC / dans la prise de courant auxiliaire de l'automobile (commune dans les voitures, les camions, les bateaux, etc.) pour allumer l'onduleur.
- Branchez le TACO TUESDAY TAILGATOR MARGARATOR ou un appareil de puissance égale ou inférieure à 200 dans la prise secteur. Il y a une prise CA 120 V et un port USB.
- Allumez l'appareil pour vérifier qu'il fonctionne.



AVERTISSEMENT : N'UTILISEZ PAS l'onduleur avec un autre appareil que le TACO TUESDAY TAILGATOR MARGARATOR, ou tout autre appareil fonctionnant à plus de 200 watts.

- NE PAS placer la MACHINE À MAREGARITA près d'un bord de table ou d'un dessus de comptoir.
- Remplir le Mélangeur avec la glace et les ingrédients jusqu'à la ligne Max Fill (remplissage maximal). NE PAS dépasser la ligne Max Fill (remplissage maximal).
- Pour faire un lot de margaritas, remplir le Mélangeur avec de la glace jusqu'à la ligne Max Fill (remplissage maximal), puis verser trois parties du mélange concentré (environ 1,3 L/45 oz) par partie de tequila (environ 15 oz). Pour un mélange plus neigeux, moins de liquide ou de glace est recommandé(e). L'utilisation de fruits n'est pas recommandée.
- Mettre le Couvercle sur l'appareil, puis aligner les flèches sur le Couvercle et le Mélangeur. Il s'agit d'un dispositif de sécurité, et l'appareil s'allumera seulement lorsque le Couvercle sera à la bonne position.
- Ouvrir en tout temps le Hublot transparent du Couvercle pour ajouter plus de liquide. Ajouter plus de liquide une fois que le mélange atteindra la consistance désirée.
- Brancher et allumer l'appareil en faisant glisser l'interrupteur vers le haut, à la position ON (marche).
- Mélanger pendant environ 10 minutes ou jusqu'à obtenir la consistance désirée.
- Alors que l'appareil est toujours allumé, mettre un verre sous le Bec verseur, puis verser

DO NOT EXCEED
THE MAX FILL LIN



OFF



ON

la boisson en relevant la poignée du Bec verseur. Placer préférentiellement une serviette ou autre chiffon sur la table ou le dessus du comptoir sous le Bec verseur pour ramasser les gouttes. **REMARQUE :** Le Bec verseur comporte une position de verrouillage verticale pour le remplissage de plusieurs verres ou pichets avec de la boisson.

16. Si le Bec verseur continue de s'égoutter après de versement, placer un verre ou un récipient sous le Bec verseur, puis fermer le robinet en abaissant rapidement la Poignée du Bec verseur une ou deux fois. De petits morceaux de glace peuvent parfois se coincer dans le joint d'étanchéité, l'empêchant de se refermer complètement.
17. Éteindre l'appareil une fois la consistance désirée obtenue; il gardera la boisson froide jusqu'au moment de la verser.
18. Toujours verser la boisson lorsque l'appareil est allumé. Laisser l'appareil fonctionner pendant 8 secondes pour mélanger avant de verser si l'appareil est demeuré fermé. Une fois le versement terminé, tourner le bouton latéral à la position OFF (arrêt), puis débrancher l'appareil.

CONSEILS PRATIQUES

L'APPAREIL NE S'ALLUME PAS

- Si l'appareil ne s'allume pas, s'assurer qu'il est complètement et correctement branché dans la prise de courant.
- Le Mélangeur doit être solidement fixé au Socle, sinon l'appareil ne se mettra pas en marche.

AUCUNE BOISSON N'EST VERSÉE

- Ajouter plus de liquide au Mélangeur si un vide se produit autour du Broyeur en cours d'utilisation.
- Si aucune boisson n'est versée, s'assurer que le Broyeur en inox ne s'est pas desserré.
- S'assurer qu'il y a suffisamment de liquide à l'intérieur.
- S'assurer que l'interrupteur est vers le haut, à la position ON (marche).
- S'assurer qu'il n'y a aucun morceau de glace coincé à l'intérieur du Bec verseur. Ouvrir et fermer le robinet en abaissant rapidement la poignée du Bec verseur une ou deux fois.

ÉCONOMISER L'ÉNERGIE

- En cas d'utilisation dans une voiture, il est conseillé de débrancher la fiche des prises lorsque la voiture, le bateau, etc. est arrêté et coupé pour économiser l'énergie.

NETTOYAGE ET ENTRETIEN

1. Après avoir utilisé la MACHINE À MAREGARITA, la débrancher de la prise de courant. Retirer la fiche en la saisissant par le corps et en la retirant de la prise de courant. Ne jamais tirer sur le cordon ou le tordre pour débrancher l'appareil.
2. Verser tout le liquide restant du Mélangeur.
3. Retirer le Mélangeur du Socle, puis le remplir avec de l'eau propre. Faire sortir toute l'eau par le Bec verseur jusqu'à ce que le liquide soit clair.
4. Essuyer l'intérieur et à l'extérieur du Mélangeur avec un chiffon ou une éponge non abrasi(f)ve, humide, puis assécher soigneusement à l'aide d'une serviette non abrasive, douce.
5. Assécher soigneusement le Socle à l'aide d'un chiffon non abrasif, sec.
6. NE PAS immerger le Mélangeur ou le Socle dans l'eau. Le cas échéant, utiliser un chiffon non abrasif, humide, pour essuyer l'extérieur, puis assécher soigneusement.
7. NE PAS mettre quelque pièce au lave-vaisselle.
8. Une fois le lavage et l'essuyage terminés, reposer la MACHINE À MAREGARITA. Enrouler le cordon et le remettre à l'emplacement de rangement pratique dans le fond du Socle. Maintenant, la MACHINE À MAREGARITA peut être utilisée à nouveau.
9. Pour prolonger la durée de vie de la MACHINE À MAREGARITA, suivre attentivement les consignes de nettoyage après chaque utilisation et s'assurer que le Bec verseur est rincé au moment de laver l'appareil pour empêcher quelque accumulation.

10. NE JAMAIS utiliser de produit nettoyant ou de serviette abrasif(ve) sur le Socle afin de maintenir le fini original en inox et d'éviter les rayures.
11. De temps à autre déposer et nettoyer préféablement le Broyeur en inox. Consulter les consignes à la section Pièces et assemblage pour la marche à suivre

RECETTES

Laisser aller l'imagination pour créer différentes boissons à l'aide de la MACHINE À MAREGARITA. Voici quelques recettes. Ajuster les ingrédients au goût ou créer une recette à partir de ses propres ingrédients - quel plaisir agréable! S'il s'agit d'une recette de boisson pour une personne, la MACHINE À MAREGARITA peut faire 16 boissons de 227 mL (8 oz); se rappeler d'adapter la recette en fonction du nombre de personnes!

Pour chaque recette ci-dessous, ajouter de 110 à 225 mL (4 à 8 oz) au Mélangeur pour chaque portion. Les recettes peuvent être adaptées au goût de chacun.

1 MESURE = 40 mL (1 1/2 oz)

MARGARITA CLASSIQUE

- 2 mesures de tequila Portion : 1
- 1 mesure de triple-sec
- 360 mL (1 ½ tasse) de mélange à margarita
- 1 mesure de jus de lime fraîchement pressée
- Sel et quartier de lime comme garniture

MARGARITA À LA MANGUE ET À LA FRAISE

- 1 mesure de tequila Portion : 1
- 140 mL (5 oz) de jus de mangue
- 3 fraises fraîches, en quartiers
- Sel pour le bord du verre (en option)

BARBOTINE À L'ORANGE JULIUS

- 70 mL (2 ½ oz) de rhum Portion : 2
- 340 mL (12 oz) de jus d'orange
- 65 mL (2 ¼ oz) de vodka

BARBOTINE DAÏQUIRI À LA FRAISE AVEC MELON MIEL

- 360 mL (1 ½ tasse) de rhum blanc
 - 360 mL (1 ½ tasse) de triple-sec
 - de 3 à 4 bananes, coupées en tranches de 2,5 cm (1 po)
 - 340 mL (12 oz) de jus de lime
 - 120 g (½ tasse) de sucre
 - 340 mL (12 oz) de boisson gazeuse aux agrumes
- Serves four

DAÏQUIRI À LA BANANE

- 1½ Cups White Rum
 - 1½ Cup Triple Sec
 - 1/2 cup Banana liqueur
 - 12-oz. Lime Juice
 - ½ Cup Sugar
 - 12-oz. Citrus Soda
- Portion : 16

FRAPPÉ À L'ABRICOT

- 60 mL (2 oz) de rhum blanc
 - 30 mL (1 oz) de triple-sec
 - 150 mL (5 oz) de jus d'abricot
 - 15 mL (½ oz) de crème
- Portion : 2

KAHLUA COLADA

- 45 mL (1 ½ oz) de Kalua Portion : 1
- 15 mL (½ oz) de rhum
- 65 mL (2 ¼ oz) de crème de noix de coco
- 65 mL (2 ¼ oz) de jus d'ananas
- 15 mL (½ oz) de crème

BARBOTINE AUX FRUITS ET AU GINGEMBRE

- 170 mL (6 oz) de boisson gazeuse Ginger Ale Portion : 4
- 170 mL (6 oz) de jus d'orange
- 2 bananes, tranchées
- 1 boîte de conserve (340 mL/12 oz) d'ananas écrasé, dans son jus

BARBOTINE AU RHUM

- 360 mL (1 ½ tasse) de rhum léger Portion : 16
- 340 mL (12 oz) de jus de lime
- 340 mL (12 oz) jus de citron
- 680 mL (24 oz) de boisson gazeuse aux agrumes

RETOUR ET GARANTIE

SI VOTRE APPAREIL NE FONCTIONNE PAS OU S'IL EST ENDOMMAGÉ QUAND VOUS LE RETIREZ DE LA BOÎTE, VEUILLEZ LE RETOURNER IMMÉDIATEMENT À L'ENDROIT OÙ IL A ÉTÉ ACHETÉ.

TAILGATOR Margarator avec inverseur / TTMSBINV1WG

Pour toute question, communiquer par courriel ou au numéro de téléphone du service à la clientèle, entre 09 h 00 et 16 h 00, du lundi au vendredi, heure normale du Centre.

Distribué par :

Nostalgia Products LLC
1471 Partnership Dr.
Green Bay, WI 54304-5685
Service à la clientèle
Téléphone : (920) 347-9122
Site Web : www.nostalgiaproducts.com

Demande pour le service à la clientèle

Pour soumettre une demande au service à la clientèle, rendez vous au www.nostalgiaproducts.com puis remplissez le formulaire de demande au service à la clientèle puis cliquez sur le bouton Soumettre.

Un représentant vous contactera dès que possible.

Conditions de garantie du produit

Le groupe Nostalgia Products LLC (référé tel « l'Entreprise ») garantit que pour une période d'un (1) an en date d'achat, ce produit est sans défaut de matériel et de fabrication selon une utilisation normale à domicile, seulement si le fonctionnement et l'entretien du produit sont conformes aux directives fournies. À titre de réparation exclusive et entière sous cette garantie, l'Entreprise pourra à sa discrétion, réparer ou remplacer le produit défectueux, voire émettre un remboursement du produit durant la période couverte sous garantie. Cette garantie n'est disponible seulement qu'à l'acheteur d'origine du produit, en date d'achat au détail dudit produit et sera valide uniquement avec le reçu de caisse d'origine, à titre de preuve d'achat, lequel est requis pour obtenir les bienfaits reliés à cette garantie. Toute réclamation doit être rapportée à l'attention de l'Entreprise dans la fenêtre de la période de la garantie, sans dépasser 30 jours à défaut de performance. Cette garantie ne couvre pas l'usure normale ou dommage cause par l'expédition, la mauvaise manipulation, la mauvaise utilisation, les accidents, les modifications, les mauvaises pièces de remplacement, voire toute autre utilisation anormale du produit à domicile. Il est possible que vous ayez à retourner le produit (avec les frais de retour prépayés par vous) pour une inspection et une évaluation. Les frais des coûts de retour ne sont pas remboursables. L'Entreprise n'est aucunement responsable pour les retours endommagés ou perdus en transit. Autrement que spécifiquement permis selon les directives de fonctionnement, cette garantie s'applique à une utilisation à domicile à l'intérieur seulement. Afin d'obtenir un service couvert sous cette garantie, veuillez contacter l'Entreprise au numéro de téléphone inclut ci-haut ou en remplissant le formulaire de demande au service à la clientèle, sur le site www.nostalgiaproducts.com. La garantie est valide seulement aux États-Unis et au Canada.

Cette garantie prévaut toute autre garantie, expresse ou implicite incluant les garanties de qualité marchande ou ayant une aptitude pour une intention en particulier, lesquelles sont exclues selon la loi. Sous aucun prétexte l'Entreprise ne pourra être tenue responsable pour tout dommage indirect, accidentel, consécutif ou spécial provenant de ou en relation avec ce produit ou son utilisation. Certains états, provinces ou juridictions n'allouent pas l'exclusion ou la limitation de tels dommages accidentels ou consécutifs, donc l'exclusion ou limitation suscitée peut ne pas s'appliquer à vous.

Cette garantie ne s'applique pas à la marchandise de renaissance.

Veillez lire les directives de fonctionnement attentivement. Ne pas se conformer aux directives de fonctionnement annulera cette garantie.

Pour plus d'informations, visitez notre site Web à www.nostalgiaproducts.com.

Aimez-nous sur Facebook à l'adresse [www.facebook.com / NostalgiaElectrics](http://www.facebook.com/NostalgiaElectrics).

Suivez nos conseils sur Pinterest à [www.pinterest.com / nostalgiaelctrx](http://www.pinterest.com/nostalgiaelctrx).

Tweet avec nous sur Twitter à l'adresse [www.twitter.com / NostalgiaElctrx](http://www.twitter.com/NostalgiaElctrx).

¡Convierta todos los días en una fieta!
Visite **www.nostalgiaproducts.com** para
ver más productos divertidos.

CONTENIDO

PRECAUCIONES IMPORTANTES	27
MEDIDAS IMPORTANTES	27
INTRODUCCIÓN	29
PARTES Y ENSAMBLAJE	30
CÓMO FUNCIONA	31
CONSEJOS ÚTILES	33
LIMPIEZA Y MANTENIMIENTO	33
RECETAS	34
DEVOLUCIONES Y GARANTÍA.	38

SEGURIDAD

Su seguridad y la de otras personas es muy importante.

Hemos proporcionado numerosos mensajes de seguridad importantes en este manual y en su electrodoméstico. Siempre lea y obedezca todos los mensajes de seguridad.



Este es el símbolo de alerta de seguridad.

Este símbolo le previene de peligros potenciales que pueden causar la muerte o lesiones a usted y a otras personas.

Todos los mensajes de seguridad estarán precedidos por el símbolo de alerta.

Todos los mensajes de seguridad le dirán de qué peligro potencial se trata, cómo reducir la posibilidad de lesiones y qué puede ocurrir si no se obedecen las instrucciones.

Especificaciones del electrodoméstico:

120 Volts, 60 Hz

150 Watts, aprobado por ETL



ESTE PRODUCTO ES PARA USAR SOLAMENTE EN TOMAS DE CORRIENTE DE 120 VCA.

PRECAUCIONES IMPORTANTES

1. NUNCA sumerja la Base o el cable en agua.
2. NUNCA lo utilice cerca del agua.
3. NUNCA deje la unidad sin atención si se utiliza cerca de niños.
4. NUNCA utilice paños abrasivos en el aparato.
5. NUNCA utilice esponjas ni productos de limpieza abrasivos ni fuera ni dentro del aparato.
6. NUNCA utilice la máquina otro uso que no sea el previsto.
7. Evite el contacto con las partes móviles.
8. NO utilice este aparato si tiene el cable o el enchufe dañados o en el caso de que esté funcionando mal.
9. NO coloque las partes dentro de un lavavajillas.
10. Mantenga fuera del alcance de los niños.
11. Desenchufe el aparato del tomacorriente eléctrico cuando no esté en uso y antes de su limpieza. Quite el enchufe tomándolo del cuerpo y sacándolo fuera del tomacorriente. Nunca gire ni tire del cable para desenchufar la unidad.
12. Este aparato NO ES UN JUGUETE.
13. Este aparato no debe ser utilizado por niños ni por individuos con problemas cognitivos, sin estar supervisados.

MEDIDAS IMPORTANTES



Quando utiliza aparatos eléctricos, siempre se deben seguir algunas medidas básicas de seguridad que incluyen las siguientes:

1. **Lea todas las instrucciones antes de manejar este equipo.**
2. NUNCA ponga los dedos ni utensilios en las zonas de alimentación o descarga.
3. Mantenga las manos y los utensilios fuera del recipiente mientras bate para reducir el riesgo de lesiones graves o daños al aparato.
4. Para protegerlo de una descarga eléctrica, no sumerja el cable, el enchufe ni ninguna parte de esta unidad en agua ni en ningún otro líquido.
5. Cuando el aparato es utilizado por un niño o si se utiliza cerca de éstos, los niños deberán estar supervisados.
6. Desenchufe del tomacorriente cuando no se encuentra en uso o antes de quitar las partes para su limpieza.
7. NO utilice ningún aparato que tenga el cable o el enchufe dañado, o si el aparato se daña de alguna manera. Lleve el aparato al servicio técnico más cercano para su control o reparación.
8. El fabricante del aparato no recomienda el uso de accesorios que no sean los suministrados junto a la unidad ya que podrían ocasionar daños.
9. Las cuchillas son filosas. NO las toque.
10. NO quite la Tapa mientras está en uso.
11. NO permita que el cable toque superficies calientes.
12. NO coloque sobre una hornalla a gas ni eléctrica, ni dentro de un horno caliente.

13. Se debe tener sumo cuidado al trasladar este aparato con líquido adentro.
14. Esta unidad debe colocarse sobre una superficie plana para que funcione correctamente.
15. NO use este aparato de ninguna otra manera que no sea la prevista.
16. NO deje la unidad sin atención mientras esté en uso o enchufada a un tomacorriente.
17. Antes de usar, controle si hay objetos extraños dentro del Vaso de Batido.
18. Se proporciona un cable de energía corto, para reducir el riesgo de estrangulamiento o tropiezos que podrían resultar con un cable largo.
19. Se pueden utilizar cables prolongadores de suministro de energía si se tiene cuidado en su uso.
20. La clasificación eléctrica indicada en un prolongador debe ser al menos del mismo valor que la clasificación eléctrica del aparato.
21. Este aparato tiene un enchufe polarizado (una pata es más ancha que la otra). Para reducir el riesgo de descarga eléctrica, este enchufe está previsto para que se adapte a un tomacorriente polarizado de una sola manera.
22. Este aparato viene equipado con un cable de energía eléctrica de corriente alterna. Es versátil y puede ser utilizado en el interior y en el exterior. NO lo use cerca de fuentes de agua.
23. Siempre opere el aparato con la tapa puesta.
24. Asegúrese de que el Vaso de Batido esté correctamente sujeto a la Base antes de encender la unidad.



ADVERTENCIA:

- Peligro de incendio: No cubra u obstruya las aberturas de ventilación del inversor. No instale este equipo en un compartimento con flujo limitado de aire; puede resultar en un sobrecalentamiento.
- Asegúrese siempre de que los cables de CC estén conectados a las abrazaderas y de que las tuercas de mariposa estén firmemente conectadas a las terminales. Asegúrese de que no haya roturas o rasgaduras en los cables - Si es así, reemplácelos inmediatamente.
- ¡Mantenga a los niños alejados del inversor y sus componentes! La misma alimentación que se encuentra en una toma de corriente de CA de 110V / 220V doméstica normal CA es potencialmente peligrosa o letal y se puede encontrar en el inversor.
- Este aparato no está diseñado para ser utilizado por niños pequeños o personas con problemas cognitivos sin supervisión.
- Este inversor sólo debe utilizarse con el TACO TUESDAY TAILGATOR MARGARATOR, o cualquier aparato de menos de 200 vatios.

Instrucciones para el cable eléctrico y el enchufe

1. Este aparato tiene un enchufe polarizado (una hoja es más ancha que la otra). Para reducir el riesgo de descarga eléctrica, este enchufe está diseñado para encajar de una sola manera en una toma de corriente polarizada. Si el enchufe no encaja completamente en la toma de corriente, invierta el enchufe. Si todavía no encaja, póngase en contacto con un electricista calificado. No intente de ninguna manera modificar el enchufe.
2. Se proporciona un cable de alimentación corto para reducir el riesgo resultante de enredarse o tropezar con un cable largo.
3. Si se utiliza un cable de alimentación desmontable largo o un cable de extensión:
 - Los cables de extensión se pueden usar si se tiene cuidado en su uso.
 - La clasificación eléctrica marcada del cable o cable de extensión debe ser al menos tan alta como la clasificación eléctrica del aparato.
 - Cuando utilice un cable más largo o un cable de extensión, asegúrese

de que el cable no cuelgue sobre una encimera o mesa en donde se pueda jalar o hacer tropezar involuntariamente.

4. El fabricante no recomienda el uso de esta máquina en países que no soportan 120V AC, incluso si un adaptador de voltaje, transformador o convertidor está en uso.

¡GUARDE ESTAS INSTRUCCIONES!

INTRODUCCIÓN

¡Gracias por comprar el TAILGATOR MARGARATOR WITH INVERTER de Taco Tuesday! El TAILGATOR MARGARATOR utiliza hielo picado o pequeños cubitos de hielo de su congelador. No sólo hace fantásticas margaritas, pero también puede mezclar lotes de sus otras bebidas favoritas congeladas como daiquiris y granizados para los niños! Equipado con un inversor de 12 voltios, esto es perfecto para usar sobre la marcha, ¡especialmente en tailgatings (fiestas especiales)!

Sus características son:

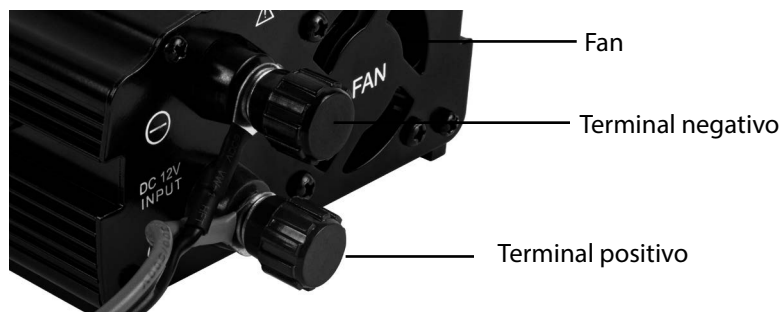
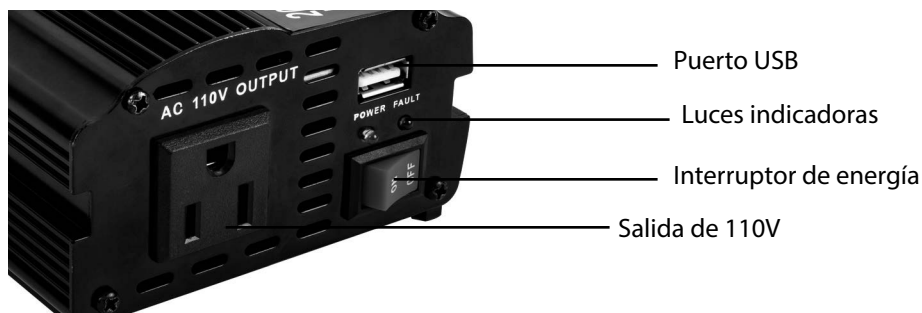
- Viene con un inversor de corriente de 12 voltios para que puedas usarlo en tu coche en cualquier momento y en cualquier lugar
- Prepara hasta 1 galón de tus bebidas favoritas de granizados
- La construcción clara de doble pared mantiene las bebidas frías durante horas
- Motor potente que rasura rápidamente el hielo a la consistencia perfecta
- El canalón de flujo - fácil dispensa las bebidas congeladas uniformemente suaves
- La manija para cargar levanta fácilmente para cerrar y para asegurar la tapa
- La cámara de mezcla se remueve de la base para una fácil limpieza
- La ventana transparente en la tapa se remueve para agregar hielo fácilmente
- Almacenamiento conveniente del cordón



PARTES & ENSEMBLAJE



INVERTER



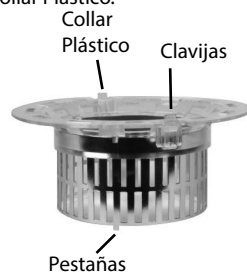
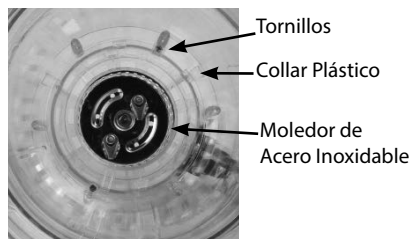
Cómo Sujetar y Retirar el Recipiente Moedor

Es muy importante que el Recipiente Moedor de Acero Inoxidable esté bien armado para que la unidad funcione.

1. El Recipiente Moedor de Acero Inoxidable se encuentra sujeto al interior del Vaso Mezclador con un Collar Plástico redondo.
2. Coloque el Recipiente Moedor de Acero Inoxidable con el extremo plano (opuesto al extremo que tiene tres pestañas) en el Collar Plástico y gire hasta que la muesca del Recipiente Moedor de Acero Inoxidable se trabe en la protuberancia del Collar Plástico.
3. Gire el Recipiente Moedor de Acero Inoxidable armado con el Collar Plástico puesto, para que el Collar Plástico se encuentre en la parte de arriba para insertarlo a la base de la Vaso Mezclador.
4. Si observa el interior del Vaso Mezclador, verá dos tornillos de acero inoxidable. Aquí es donde se sujetan las clavijas al Collar Plástico para trabar el mecanismo moedor.
5. Cuando coloque el Collar Plástico en su lugar, ponga en línea las Pestañas con los dientes en la base del Vaso Mezclador. Presione firme pero suavemente el Collar Plástico hacia abajo hasta que las clavijas “hagan clic” en su lugar.
6. Una vez que todo esté en su lugar, asegúrese de que las Clavijas hayan sido empujadas dentro de los tornillos para trabar la unidad en su lugar y levante levemente para asegurarse de que el Recipiente Moedor de Acero Inoxidable esté realmente trabado en su posición adecuada y no se vaya a salir. Trabe y destrabe las Clavijas con cuidado, para evitar que se rompan.

NOTA: SI EL COLLAR PLÁSTICO NO ESTÁ BIEN TRABADO, LA UNIDAD MOLERÁ PERO NO DISPENSARÁ.

Ya está listo para disfrutar frescos y refrescantes margaritas y bebidas con su FÁBRICA DE MARGARITAS DE ACERO INOXIDABLE!



CÓMO FUNCIONA

1. Antes de utilizarlo por primera vez, retire todos los materiales del embalaje y retire el Vaso Mezclador de la Base deslizando los tres interruptores UNLOCK/ LOCK (DESTRABAR/TRABAR) en la posición UNLOCK (DESTRABAR).
2. Vierta agua con jabón en el Vaso Mezclador y dispense toda el agua con jabón a través del Pico.
3. Luego de dispensar toda el agua tibia con jabón, limpie vertiendo agua limpia en el Vaso Mezclador y dispense agua limpia por el Pico hasta que no queden residuos de jabón y el agua salga limpia.
4. Limpie el exterior de la FÁBRICA DE MARGARITAS con un paño o esponja limpios, no abrasivos. Seque muy bien el interior y el exterior con un paño o esponja secos, no abrasivos. NO coloque la Base en agua.
5. Luego de secar, sujete con firmeza el Vaso Mezclador a la Base colocando el Vaso Mezclador

sobre la Base para que el Pico quede mirando hacia adelante y deslice los tres interruptores LOCK/UNLOCK (DESTRABAR/TRABAR) a la posición LOCK (TRABAR).

IMPORTANTE: Antes de utilizar, tener un cuidado especial para asegurar que todos los interruptores están en la posición LOCK para evitar dañar la unidad.



- Si el Vaso Mezclador está bien sujeto, estará alineado a la Base para que el Pico se encuentre sobre la Bandeja de Goteo.
- Encuentre una superficie estable cerca de un tomacorriente eléctrico. Asegúrese de que el cable esté alejado de cualquier fuente de agua. Se puede utilizar un prolongador si es necesario.

FUNCIONAMIENTO DEL INVERSOR El inversor de CA / CC se proporciona para que pueda usarlo para tailgating, acampar o para otro uso recreativo. Usar el inversor es muy sencillo:

- Enchufe el cable de alimentación de CC / en la toma de corriente auxiliar del automóvil (común en automóviles, camiones, barcos, etc.) para encender el inversor.
- Enchufe el TACO TUESDAY TAILGATOR MARGARATOR o un aparato de vatios iguales o menos de 200 en la toma de CA. Hay una salida de CA de 120V y un puerto USB.
- Encienda el aparato para comprobar que funciona.



¡ADVERTENCIA! NO utilice el inversor con ningún otro aparato que no sea el TACO TUESDAY TAILGATOR MARGARATOR, o cualquier aparato que funcione a más de 200 vatios.

- NO apoye la FÁBRICA DE MARGARITAS cerca del borde de una mesa o de la mesada.
- Llene el Vaso Mezclador con hielo y los ingredientes, hasta la línea de llenado máximo. NO exceda la línea de llenado máximo.
- Para preparar una tanda de margaritas, llene el Vaso Mezclador con hielo hasta la línea de Llenado Máximo y vierta tres partes de mezcla concentrada (aproximadamente 45 onzas – 1,3 litros) en 1 parte de Tequila (aproximadamente 15 onzas – 430 cm³). Para obtener una mezcla con más aguanieve, se recomienda usar menos líquido o más hielo. NO se recomienda el uso de frutas.
- Coloque la Tapa sobre la unidad y ponga en línea las flechas de la Tapa con el Vaso Mezclador. Ésta es una medida de seguridad, la unidad no se encenderá si la Tapa no se encuentra en la posición correcta.
- Podrá agregar más líquido en cualquier momento abriendo la Ventana Transparente de la Tapa. Agregue más líquido luego de mezclar, para llegar a la consistencia deseada.
- Enchufe la unidad y ENCIÉNDALA llevando la perilla hacia arriba a la posición ON (ENCENDIDO).

DO NOT EXCEED
THE MAX FILL LIN



OFF



ON

- Bata durante aproximadamente 10 minutos o hasta que la mezcla haya alcanzado la consistencia deseada.

15. Mientras la unidad aún está encendida, coloque una copa debajo del Pico y dispense la bebida levantando la manija del Pico. Se recomienda que coloque una toalla u otro paño sobre la mesa o mesada, debajo del Pico, para protegerla de goteos. NOTA: el Pico tiene una posición de traba hacia arriba para llenar varias copas o una jarra.
16. Si el Pico gotea luego de dispensar, coloque un vaso o contenedor debajo del Pico y abra y cierre la válvula empujando la Manija del Pico hacia abajo una o dos veces, rápidamente. A veces se pueden atascar pequeños trocitos de hielo en la junta, evitando que se pueda cerrar completamente.
17. Apague la unidad cuando se haya alcanzado la consistencia deseada y sus bebidas se mantendrán frías hasta que esté listo para volver a dispensar.
18. Siempre dispense bebidas con el aparato Encendido. Si la unidad ha estado parada, déjela funcionar durante 8 segundos para mezclar antes de dispensar. Cuando haya terminado, gire la perilla a la posición OFF (Apagado) y desenchufe la unidad.

CONSEJOS ÚTILES

LA UNIDAD NO ENCIENDE

- Si la unidad no enciende, asegúrese de que esté bien enchufada en el tomacorriente.
- El Vaso Mezclador deberá estar sujeto firmemente a la Base, de lo contrario la unidad no se encenderá.

NO DISPENSA BEBIDAS

- Agregue más líquido al Vaso Mezclador si se genera un vacío alrededor del recipiente para picar durante su uso.
- Si no salen las bebidas, asegúrese de que el Recipiente Moledor de Acero Inoxidable no se haya soltado.
- Asegúrese de que quede suficiente líquido adentro.
- Asegúrese de que el interruptor esté arriba, en posición ON (Encendido).
- Asegúrese de que no haya quedado nada de hielo atascado dentro del Pico. Abra y cierre la válvula presionando hacia abajo la Manija del Pico una o dos veces rápidamente.

SALVAR LA ENERGÍA

- Cuando se usa en un coche, se sugiere sacar el enchufe de las tomas cuando el coche, el barco, etc. se detiene y se apaga para ahorrar energía.

LIMPIEZA Y MANTENIMIENTO

1. Luego de utilizar su FÁBRICA DE MARGARITAS DE ACERO INOXIDABLE, desconéctela del tomacorriente eléctrico. Desenchufe tomando el enchufe del cuerpo y sacándolo hacia afuera del tomacorriente. Nunca gire ni tire del cable para desenchufar la unidad.
2. Dispense todo el líquido restante del Vaso Mezclador.
3. Retire el Vaso Mezclador de la Base y llene el Vaso Mezclador con agua limpia. Dispense toda el agua a través del Pico hasta que el líquido salga transparente.
4. Limpie la parte interior y exterior del Vaso Mezclador con un paño o esponja húmedos, no abrasivos y seque bien con una toalla suave, no abrasiva.
5. Limpie la Base con un paño seco, no abrasivo.
6. NO sumerja el Vaso Mezclador ni la Base en agua. Cuando sea necesario, use un paño húmedo, no abrasivo para limpiar el exterior.
7. NO coloque ninguna parte en el lavavajillas.
8. Una vez completado el lavado y el secado, vuelva a armar su FÁBRICA DE MARGARITAS DE ACERO

INOXIDABLE. Enrosque el cable y regréselo a la práctica ubicación de guardado en la parte inferior de la Base. Ahora su FÁBRICA DE MARGARITAS está lista para volver a usar.

9. Para prolongar la vida de su FÁBRICA DE MARGARITAS DE ACERO INOXIDABLE, asegúrese de seguir las instrucciones de limpieza luego de cada uso y asegúrese de que pase mucho líquido por el Pico mientras lava la unidad, para evitar que queden residuos en su interior.
10. NUNCA use limpiadores ni toallas abrasivos en la Base, para mantener la terminación original de acero inoxidable y evitar ralladuras.
11. Ocasionalmente es posible que necesite retirar y limpiar el Recipiente Moledor de Acero Inoxidable. Diríjase a las instrucciones de la sección Partes y Armado para realizar esta tarea

RECETAS

Utilice su imaginación para crear diferentes tragos con su FÁBRICA DE MARGARITAS DE ACERO INOXIDABLE. Aquí encontrará varias recetas. Puede modificar los ingredientes para adaptarlos a su gusto personal o crear tragos propios para ¡divertirse! Si cuenta con la receta para preparar un solo trago, tenga en cuenta que su FÁBRICA DE MARGARITAS tiene capacidad para 16 tragos de 8 onzas (240 cm³), recuerde ajustar sus recetas acorde a estas cantidades

Para cada receta a continuación, agregue entre 4 y 8 onzas (100 a 200 cm³) de hielo al Vaso Mezclador para cada trago. Las recetas podrán ajustarse a su gusto.

1 MEDIDA = 1½ onzas (45 ml)

1 COPA = 5.33 Medidas (239,85 ml))

MARGARITA BÁSICA

- 2 Medidas de Tequila Para Uno
- 1 Medida de Triple Sec
- 1½ Copas de Mezcla para Margaritas
- 1 Medida de Jugo de Lima Recién Exprimida
- Una Porción de Sal y Lima para Decorar

MARGARITA DE FRESAS Y MANGO

- 1 medida de Tequila Para uno
- 5 onzas (150 cm³) de Jugo de Mango
- 3 Fresas Frescas 16-onzas (450 gramos), Cortadas en Cuartos
- Sal para el Borde del Vaso (opcional)

JUGO DE NARANJA JULIUS

- 2½ onzas (75 cm3) de Ron Para Uno Para dos
- 12 onzas (350 cm3) de Jugo de Naranja
- 2¼ onzas (70 cm3) de Vodka

NIEVE DE DAIQUIRI DE FRESAS CON ROCÍO DE MIEL

- 1 Paquete de 12 Onzas (340 grs.) de Fresas Congeladas, Sin Endulzar Para cuatro
- 1¹/₃ copa de Jarabe de Maíz Suave
- ²/₃ copa de Ron Blanco
- 3 cucharadas de Jugo de Lima Fresca
- ½ Rocío de Miel Fresco, Sin Semillas y Cortado en Cubos de ½ pulgada (1,5 cm)
- Rodajas de Lima para Decorar

DAIQUIRI DE BANANA

- 1½ Tazas de Ron Blanco Para 16
- 1½ Tazas de Triple Sec
- 3-4 Bananas, cortadas en rodajas de 1"
- 12 onzas (350 cm3) de jugo de lima
- ½ Taza de Azúcar
- 12 onzas (350 cm3) de Gaseosa Citrus

BATIDO DE DAMASCO

- 2 onzas (60 cm3) de Ron Blanco Para dos
Para Uno
- 1 onza (30 cm3) de Triple Sec
- 26 onzas (750 cm3) de Jugo de Damasco
- ½ onza (15 cm3) de Crema

KAHLUA COLADA

- 1½ onza (45 cm3) de Kahlua Para uno
Para Uno
- ½ onza (15 cm3) de Ron
- 2¼ onzas (70 cm3) de Crema de Coco
- 2¼ onzas (70 cm3) de Jugo de Ananás
- ½ onza (15 cm3) de Crema

NIEVE DE FRUTA DE JENGIBRE

- 6 onzas (180 cm3) de Ginger Ale Para cuatro
Para Uno
- 6 onzas (180 cm3) de Jugo de Naranja
- 2 Bananas, en Rebanadas
- 1 Lata de 12-onzas (340 grs.) de Ananás en Cubos en su Jugo

NIEVE DE FRUTOS DEL BOSQUE

- 5 Fresas
Para Uno
- $\frac{3}{4}$ taza de Arándanos
- $\frac{1}{2}$ taza de Duraznos,
en Rebanadas
- 6 onzas (180 cm³)
de Jugo de Naranja
- $\frac{1}{4}$ de taza de Azúcar
- 2 cucharadas de
Jugo de Limón

BATIDO DE RON

- $1\frac{1}{2}$ Tazas de
Ron Suave
- 12 onzas (350 cm³)
de Jugo de Lima
- 12 onzas (350 cm³)
de Jugo de Limón
- 24 onzas (700 cm³)
de Gaseosa Citrus

DEVOLUCIONES Y GARANTÍA

SI LA UNIDAD NO FUNCIONA O ESTÁ DAÑADA AL SACARLA POR PRIMERA VEZ DE LA CAJA, DEVUÉLVALA AL LUGAR DE COMPRA INMEDIATAMENTE.

Margarina TAILGATOR con inversor/ TTMSBINV1WG

Si tiene preguntas, contacte con nosotros por correo electrónico o por el número telefónico de servicio al cliente que aparece a continuación en el horario de 9:00 AM a 4:00 PM, de lunes a viernes, Hora Estándar del Este.

Distribuida por:

Nostalgia Products LLC
1471 Partnership Dr.
Green Bay, WI 54304-5685
Servicio al cliente
Teléfono: (920) 347-9122
Web: www.nostalgiaproducts.com

Solicitud de servicio al cliente

Para enviar una solicitud al Servicio al Cliente, vaya a www.nostalgiaproducts.com, llene el formulario de Solicitud de Servicio al Cliente y haga clic en el botón Enviar.

Un representante le contactará tan pronto como sea posible.

Términos de garantía del producto

Po este medio, Nostalgia Products LLC (la "Compañía") garantiza que por un período de un (1) año a partir de la fecha de compra original, este producto estará sin defectos en cuanto a materiales y mano de obra en uso normal en casa, siempre que el producto se maneje y mantenga de acuerdo con las instrucciones de manejo. Como único y exclusivo remedio en virtud de esta garantía, la Compañía, a su discreción, podrá optar por reparar o sustituir el producto que se encuentre defectuoso, o emitir un reembolso por el producto durante el período de garantía. Esta garantía sólo está disponible para el comprador original minorista del producto a partir de la fecha inicial de compra al por menor, y sólo es válida con el recibo de compra original, y como prueba de la fecha de compra, es necesario obtener los beneficios de la garantía. Todos los reclamos de garantía deben hacerse a la atención de la Compañía dentro del período de garantía y no más tarde que 30 días desde la imposibilidad de realizarlo. Esta garantía no cubre el desgaste normal o daños ocasionados por el embarque, malos manejos, mal uso, accidentes, alteración, piezas de cambio incorrectas, o algo distinto al uso doméstico normal. Es posible que deba devolver el producto (con los gastos de envío pagados por usted) para inspección y evaluación. Los costos de envío no son reembolsables. La empresa no se hace responsable por devoluciones dañadas o perdidas en tránsito. A menos que se indique lo contrario específicamente permitido por las instrucciones de manejo, esta garantía sólo se aplica al uso en interiores de las viviendas. Para realizar una reparación bajo esta garantía, comuníquese con la Compañía mediante el número de teléfono indicado anteriormente o al llenar el formulario de consulta para el servicio de Atención al Cliente en www.nostalgiaproduct.com. El período de garantía sólo es válido en EE.UU. y Canadá.

Esta garantía está en lugar de cualquier otra garantía, expresa o implícita, incluso las garantías de comerciabilidad y conveniencia para un propósito en particular, que quedan excluidas en la medida permitida por la ley. En ningún caso la compañía será responsable de cualquier daño indirecto, incidental, consecuente, especial o daños que surjan o estén relacionados con este producto o la utilización del mismo. Algunos estados, provincias o corregimientos no permiten la exclusión o la limitación de daños incidentales o consecuentes, por lo que la exclusión o la limitación anterior quizás no se aplique a usted.

Esta garantía no se aplica a mercancía reelaborada.

Lea las instrucciones de manejo cuidadosamente. El incumplimiento de las instrucciones de manejo anulará esta garantía.

Para obtener más información, visítenos en línea en www.nostalgiaproducts.com.

Me Gusta en Facebook en www.facebook.com/NostalgiaElectrics.

Siga nuestros consejos sobre Pinterest en www.pinterest.com/nostalgiaelctrx.

Tweet con nosotros en Twitter en www.twitter.com/NostalgiaElctrx.