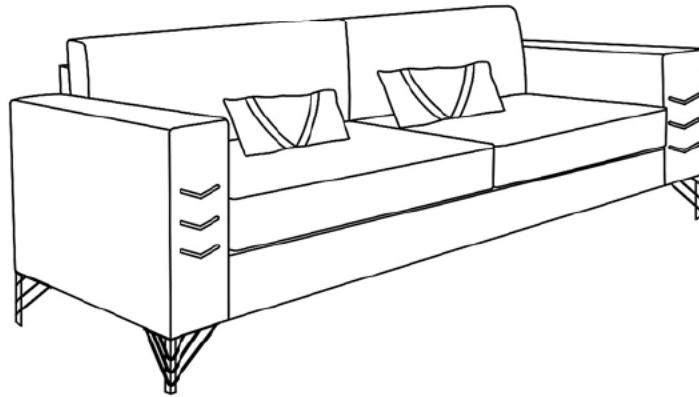


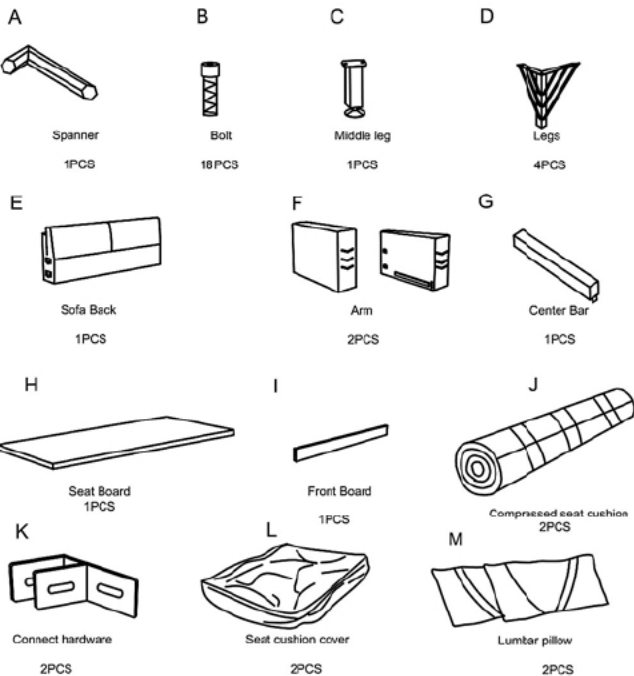
# ASSEMBLY INSTRUCTIONS



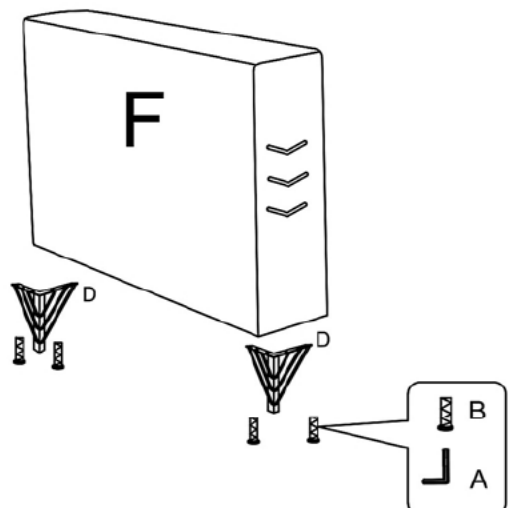
\*Please do not move the sofa after installation. If you need to move the sofa, please disassemble the sofa first, and re-install it at your destination.

\*Please keep this \*installation instruction for your future use.

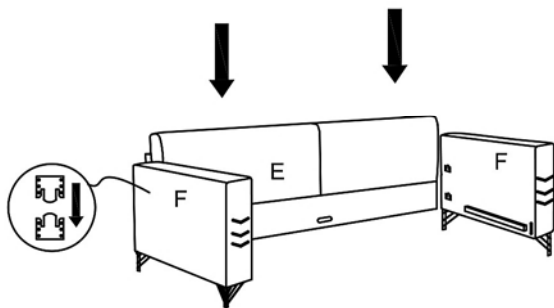
\*Please read steps 3, 4, 5 and 6 of the assembly installation carefully



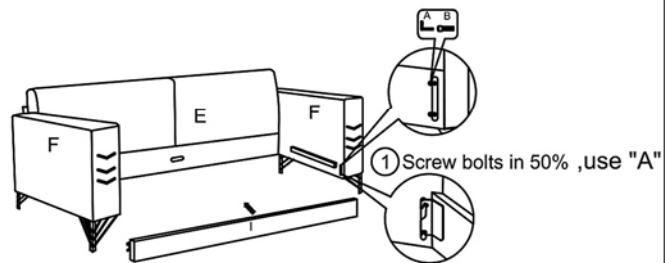
## STEP 1



### STEP 2

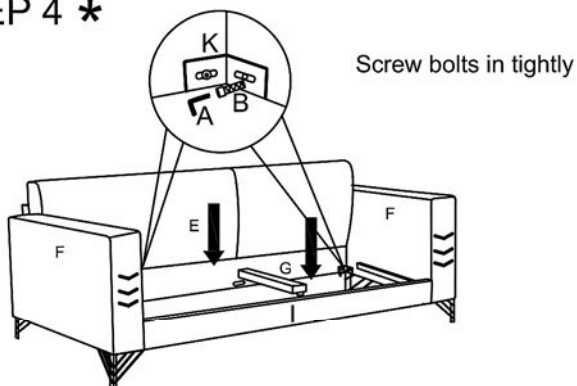


### STEP 3 \*

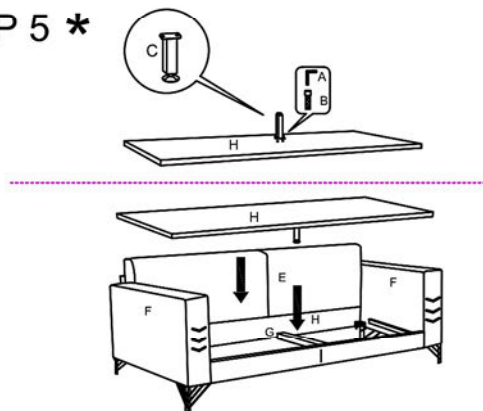


- ① Screw bolts in 50% ,use "A"
- ② Hook into bolts
- ③ Screw bolts in tightly,use "A"

### STEP 4 \*



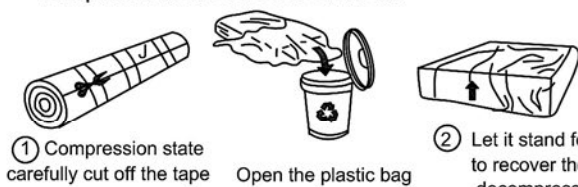
### STEP 5 \*



### STEP 6 \*

Compression use of Seat cushion.

How to tidy sofa seat cushions ?



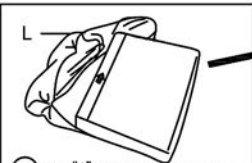
① Compression state carefully cut off the tape

Open the plastic bag

② Let it stand for 5 mins to recover the decompression state



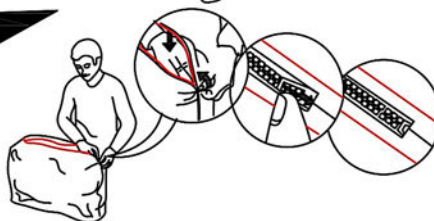
③ Put in the seat cushion cover.



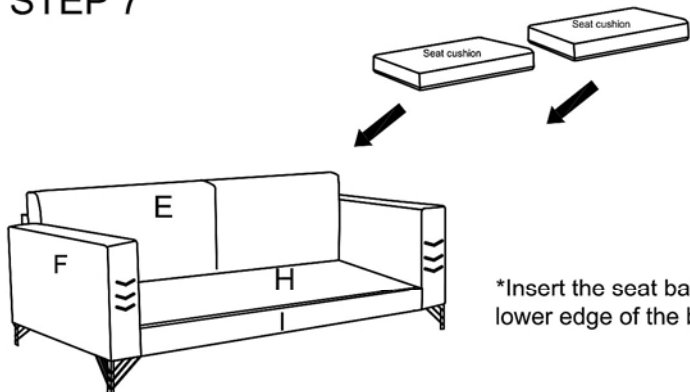
④ The "▲" side first into the sleeve; The side indicated by the arrow matches the surface of the seat cushion cover



⑤ Seat cushion Complete installation



### STEP 7



\*Insert the seat bag into the lower edge of the backrest.

### STEP 8

