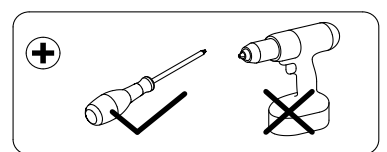
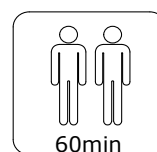
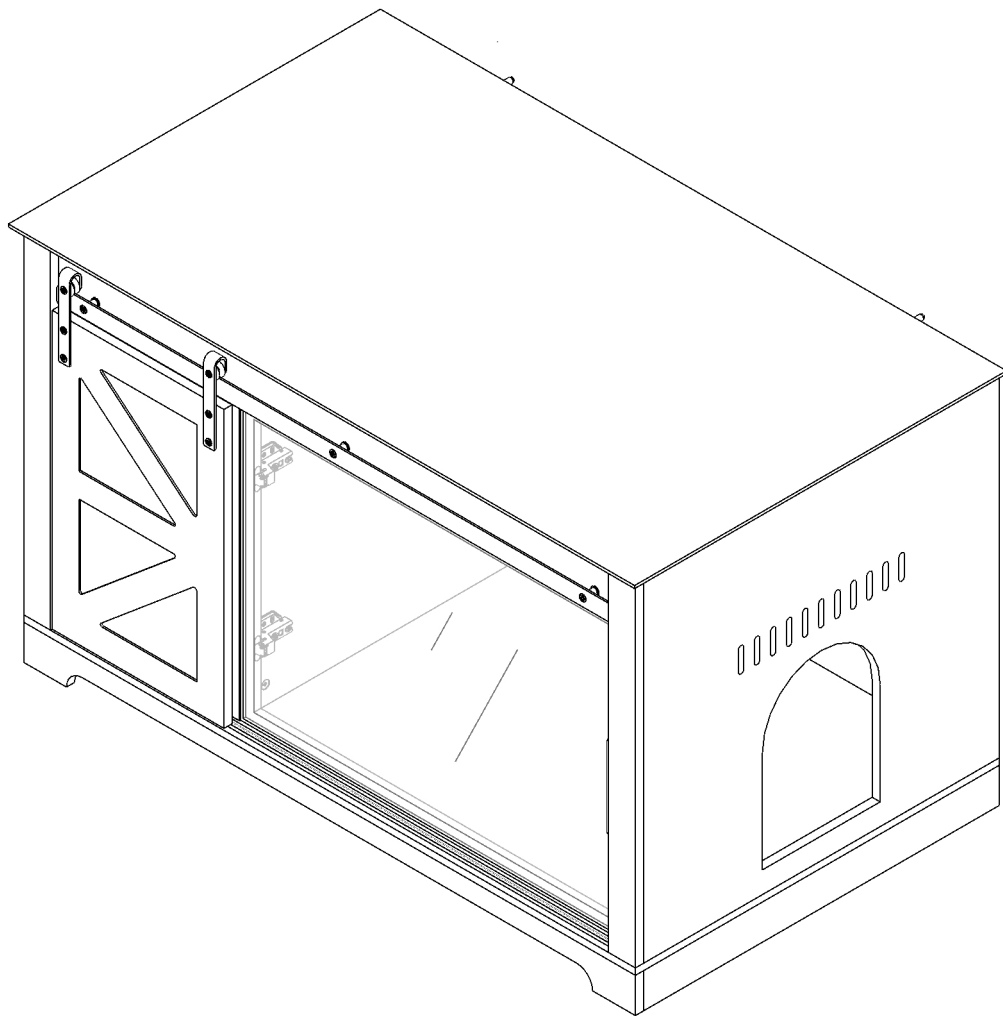


# CAT CABINET

Assembly instructions -Please keep for future reference

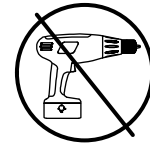


Important-Please read these instructions fully before starting assembly

# Safety and Care Advice

## Important - Please read these instructions fully before starting assembly

- Check you have all the components and tools listed on the following pages.
- Remove all fittings from the plastic bags and separate them
- Keep children and pets away from the installation area, which may cause choking if small parts are swallowed.
- Make sure you have enough space to layout the parts before
- Do not stand or apply weight to the product during assembly. This may cause damage.
- Assemble the item as close to its final position (in the same room) as possible.
- Assemble on a soft level surface to avoid damage to the unit or floor.
- it's easier for two people to assemble the parts together.
- To reduce the likelihood of damage to your product, make sure your power drill is set to a low torque setting.



## Care and maintenance

- Only clean using a damp cloth and mild detergent, do not use bleach or abrasive cleaners.
- Check for loose screws on this unit from time to time.
- This product should not be discarded with household waste. Take to your local authority waste disposal centre.

## Handy Hints

- Assemble all parts and bolts loosely during assembly, only once the product is complete should you fully tighten the bolts
- Regularly check and ensure that all bolts and fittings are correctly tightened.

## **WARNING** In order to help prevent overturning - please follow these instructions

To help prevent product toppling over please follow the below steps:-

Use the anti tip strap or wall fixing method provided (if applicable)  
Do not allow children to climb or hang on the furniture  
Do not open more than one drawer at a time  
Do not place heavy items in the top drawers  
Do not place heavy items on top of the furniture, unless the furniture has been designed for this purpose

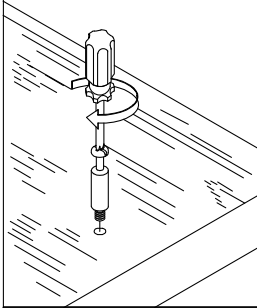
please note that only the anti tip strap is provided.  
You will need to provide wall plugs and screws applicable for your wall type

# Using Camlocks

## Step 1

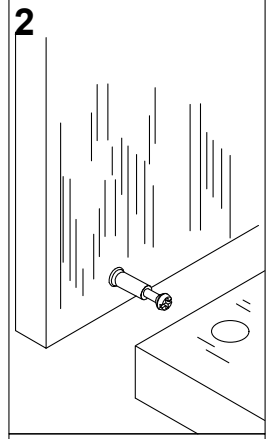
Connect the male camlock as directed in the assembly instructions using a screwdriver.

## 1 DO NOT OVERTIGHTEN



## Step 2

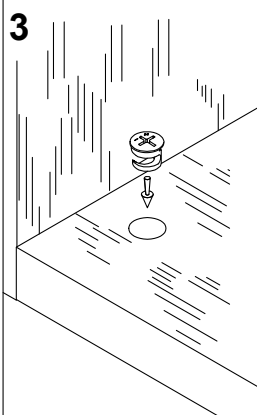
Push the male camlock into the entry hole.



## Step 3

Insert the female camlock as shown in the instruction.

Note: ensure that the arrow on the top of the camlock points towards the entry hole for the male camlock.

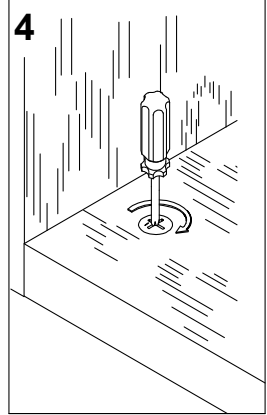


## Step 4

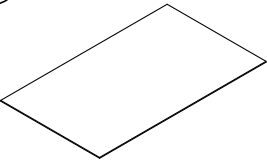
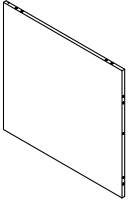
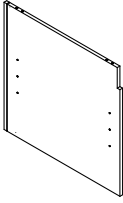
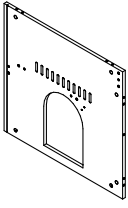
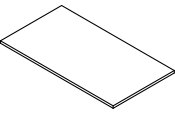
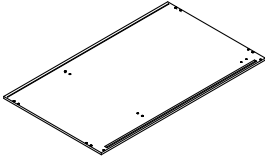
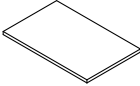
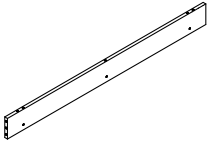
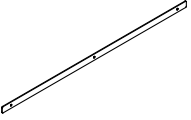
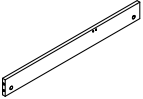

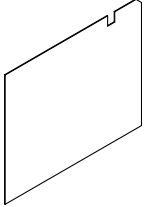


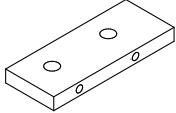
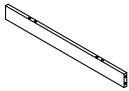
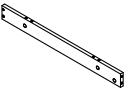
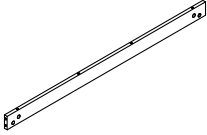
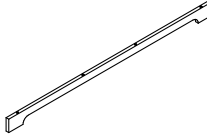
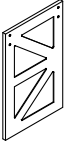
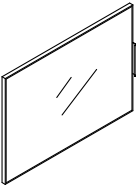
Turn the female camlock clockwise with a screwdriver.

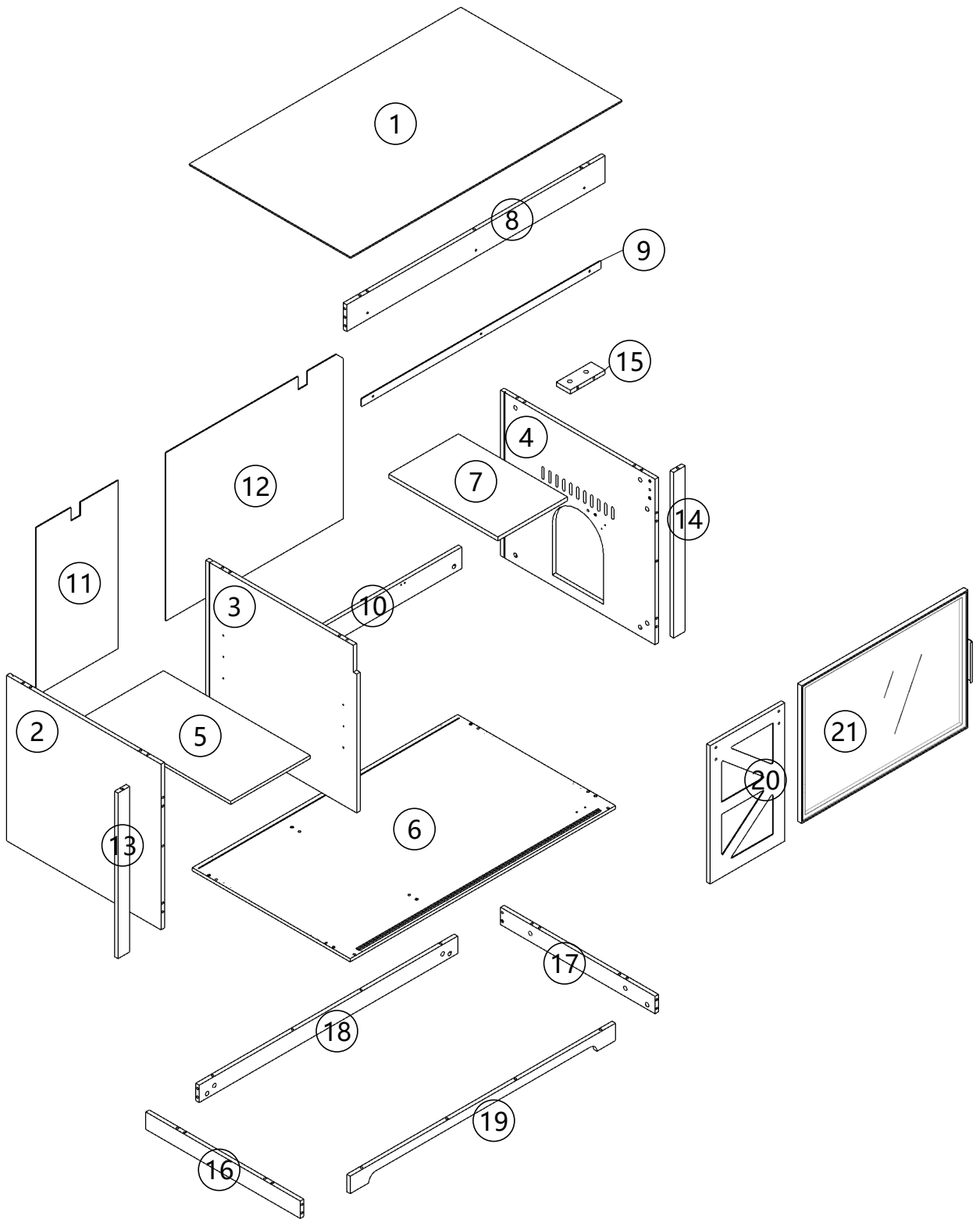
You should feel a click when the camlock is locked in place.

The joint is now secure.

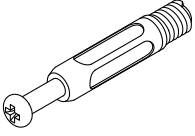
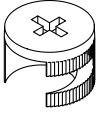
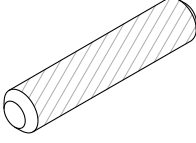
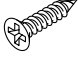
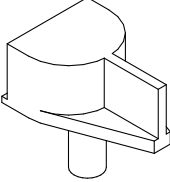
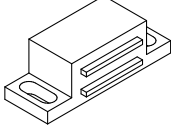
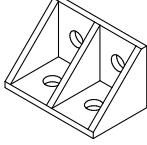
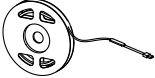
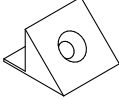
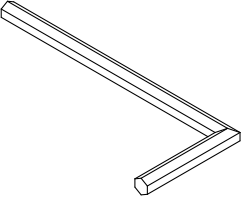

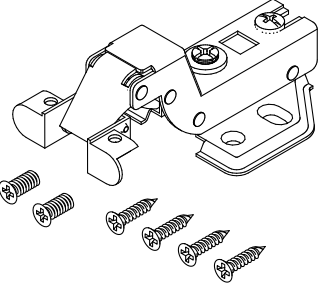
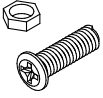
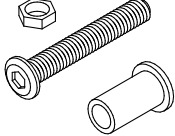
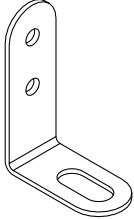
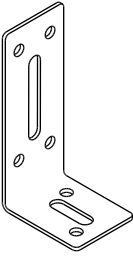
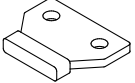
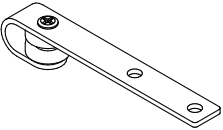
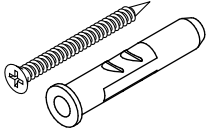


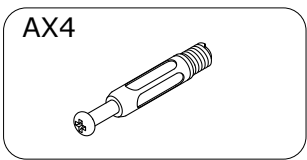
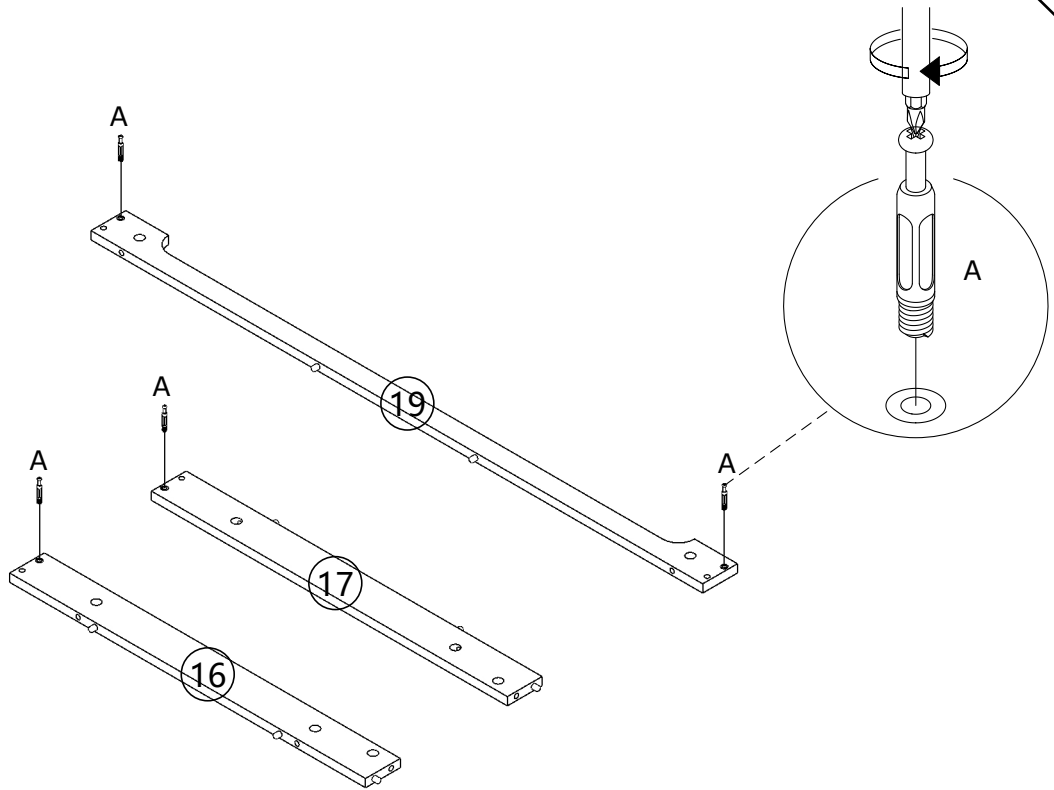
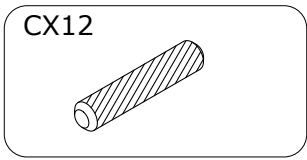
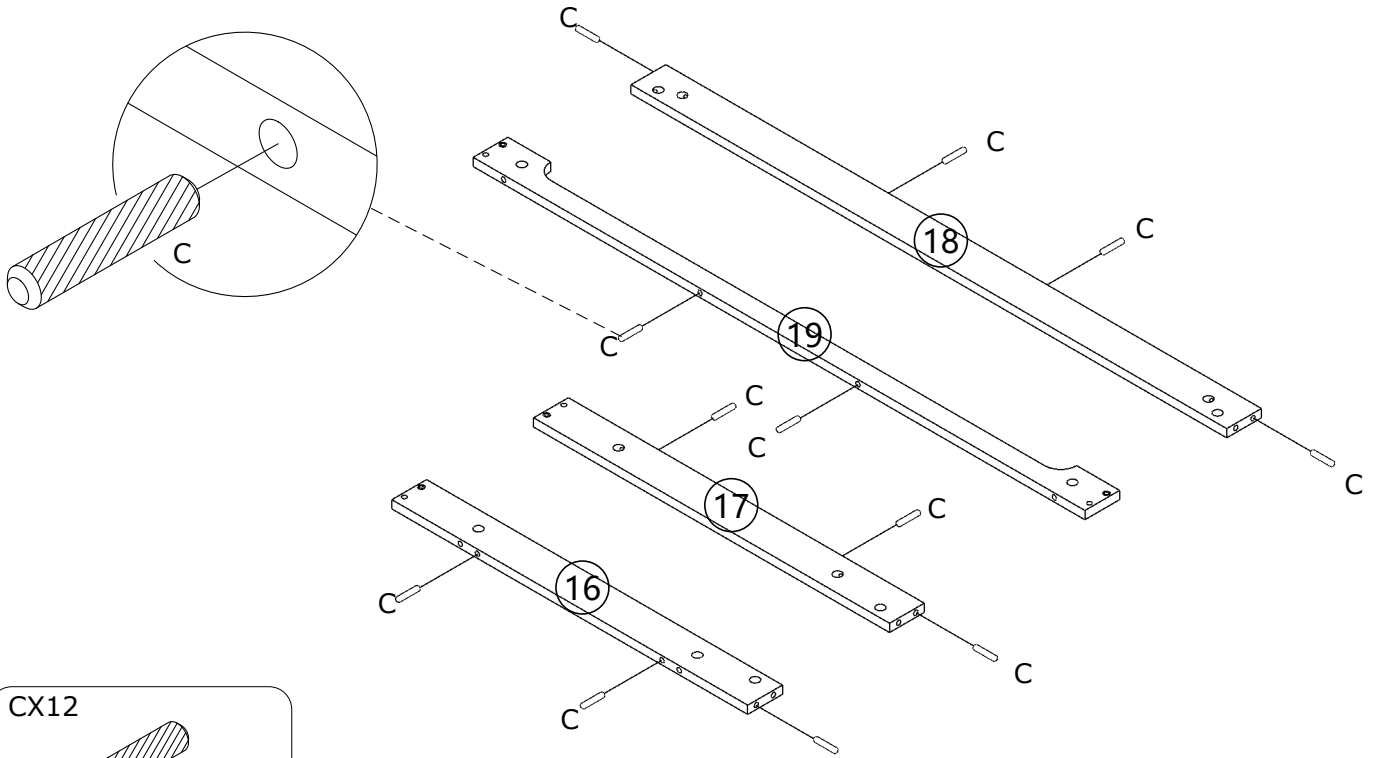
# Part List:

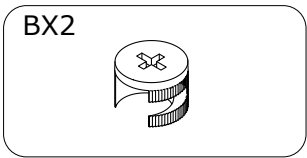
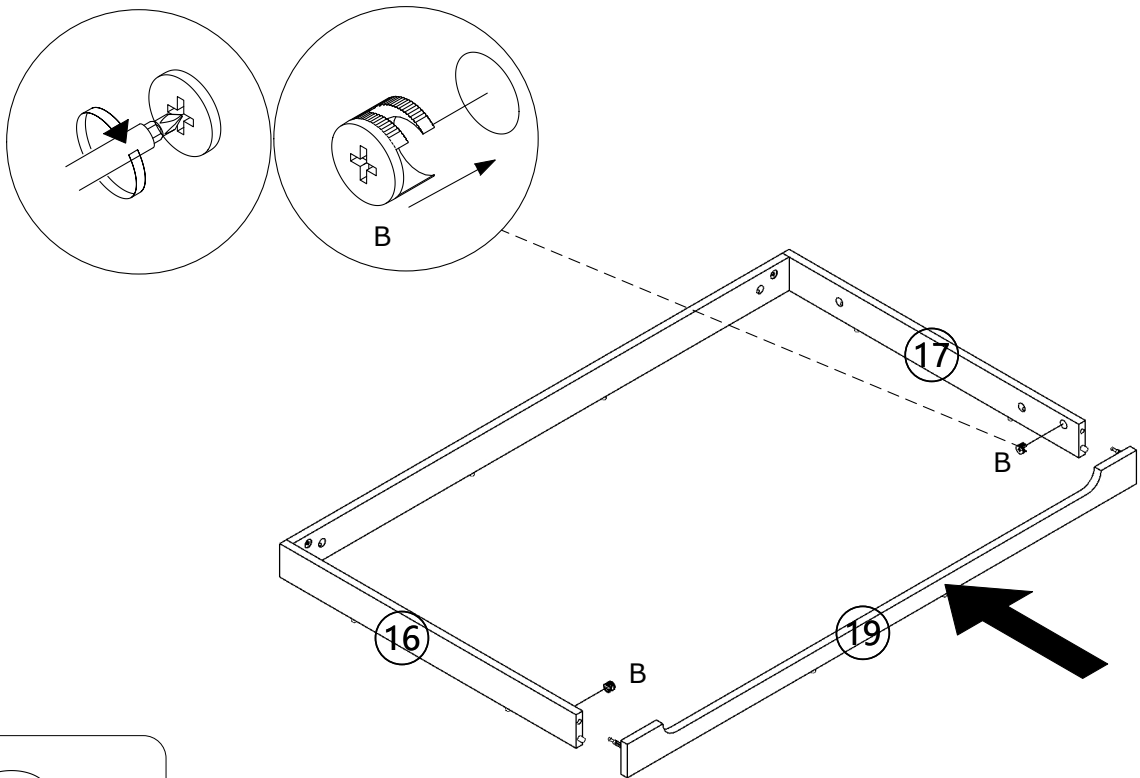
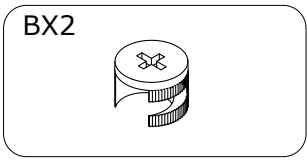
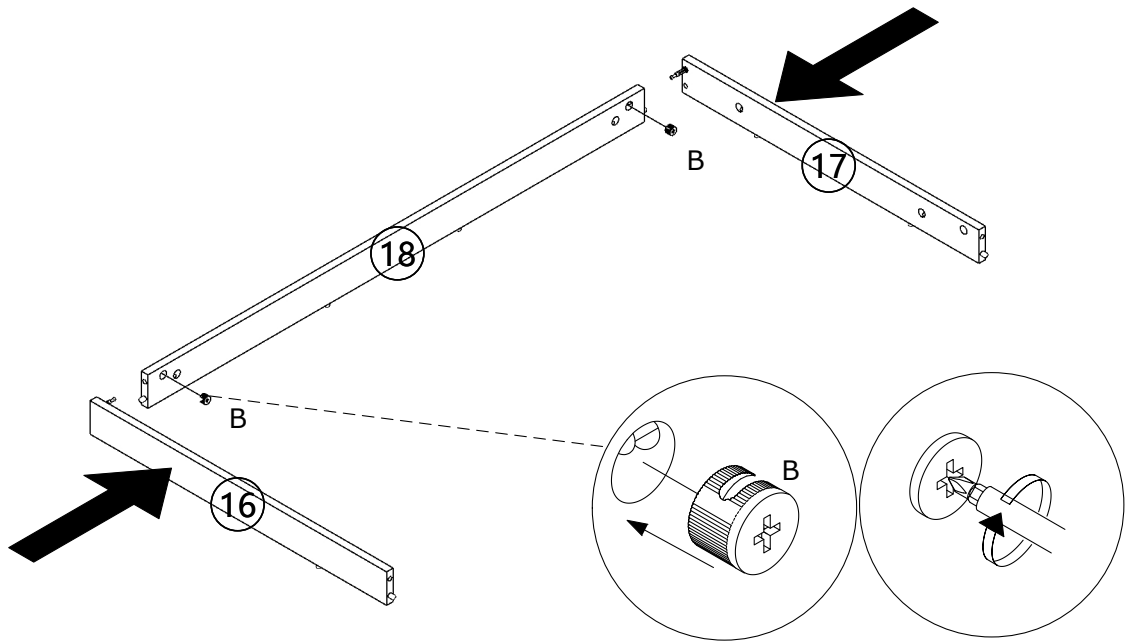
<p>① X1</p> 	<p>② X1</p> 	<p>③ X1</p> 	<p>④ X1</p> 
<p>⑤ X1</p> 	<p>⑥ X1</p> 	<p>⑦ X1</p> 	<p>⑧ X1</p> 
<p>⑨ X1</p> 	<p>⑩ X1</p> 	<p>⑪ X1</p> 	<p>⑫ X1</p> 
<p>⑬ X1</p> 	<p>⑭ X1</p> 	<p>⑮ X1</p> 	<p>⑯ X1</p> 
<p>⑰ X1</p> 	<p>⑱ X1</p> 	<p>⑲ X1</p> 	<p>⑳ X1</p> 
<p>㉑ X1</p> 			

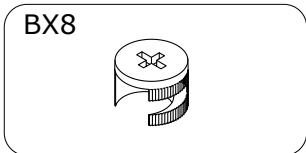
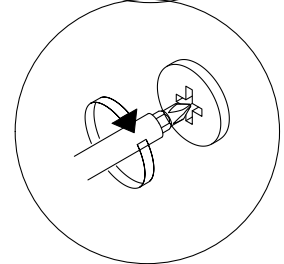
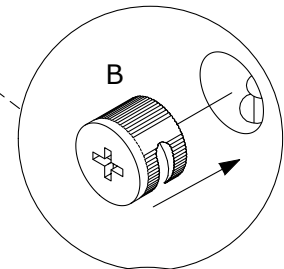
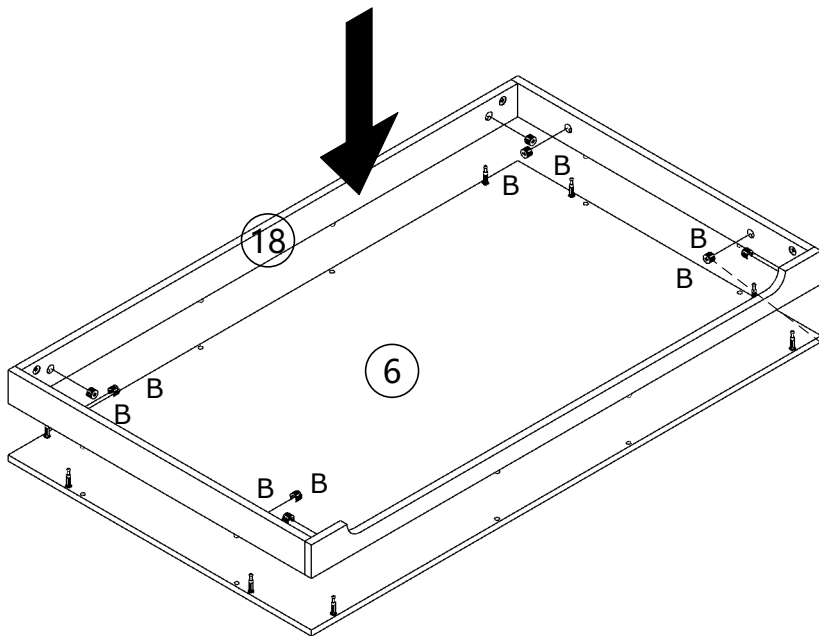
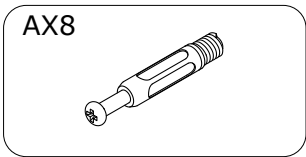
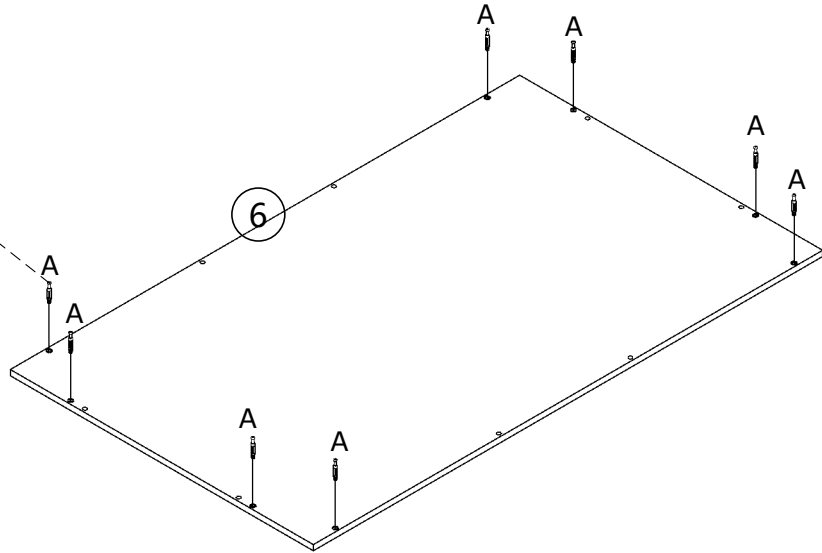
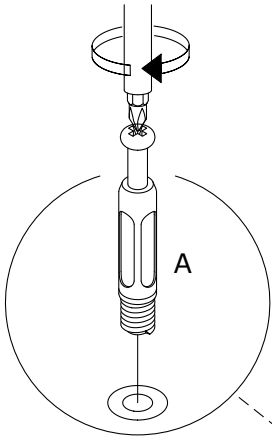


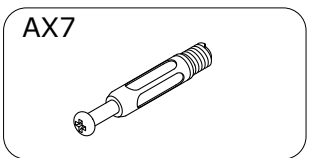
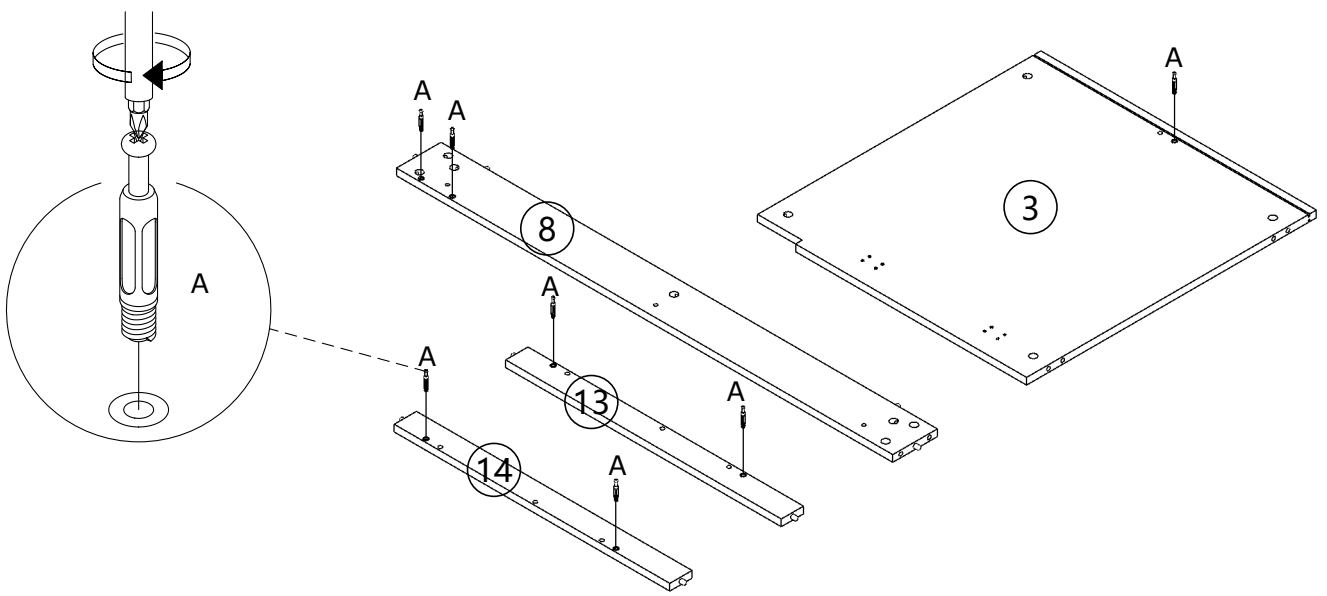
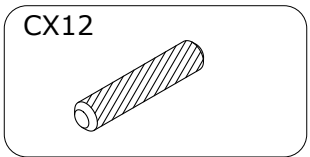
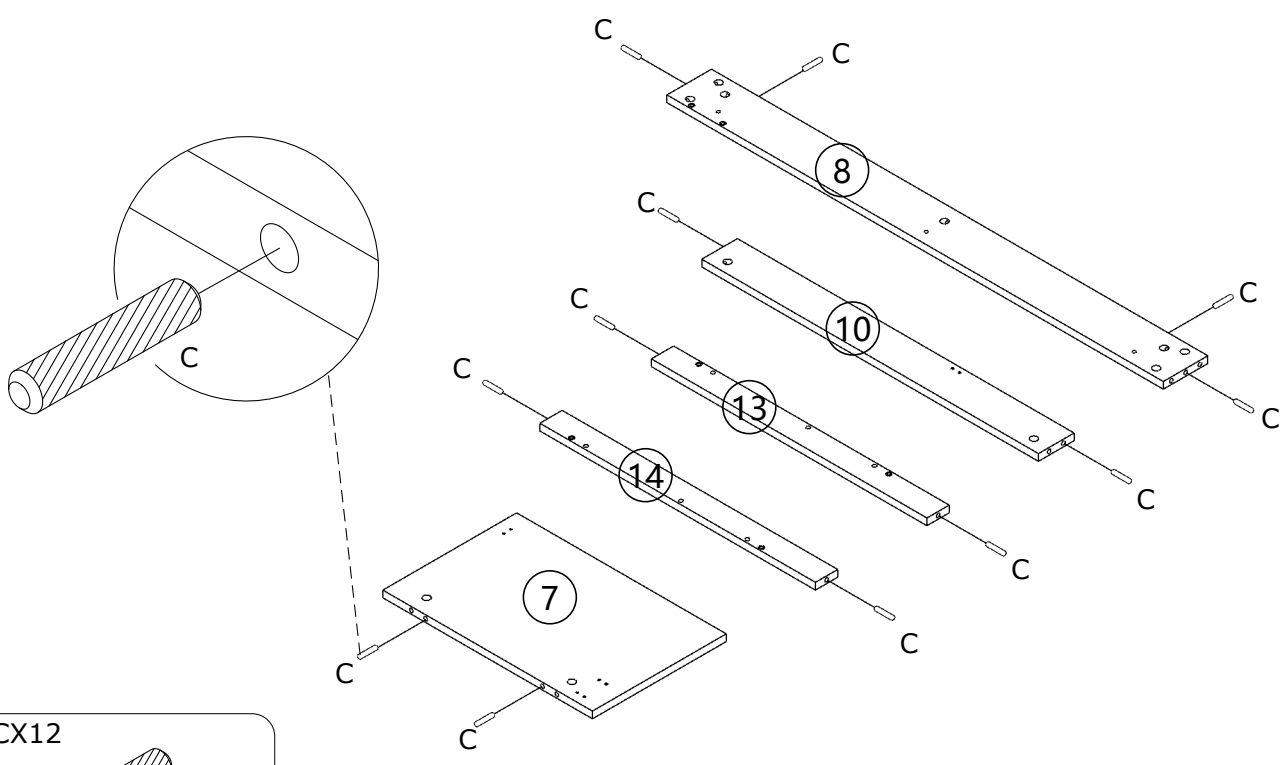
# Hardware list

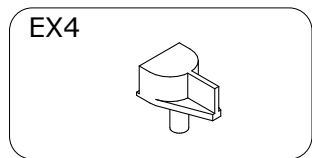
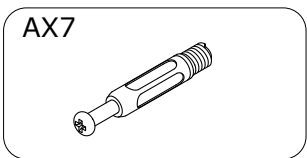
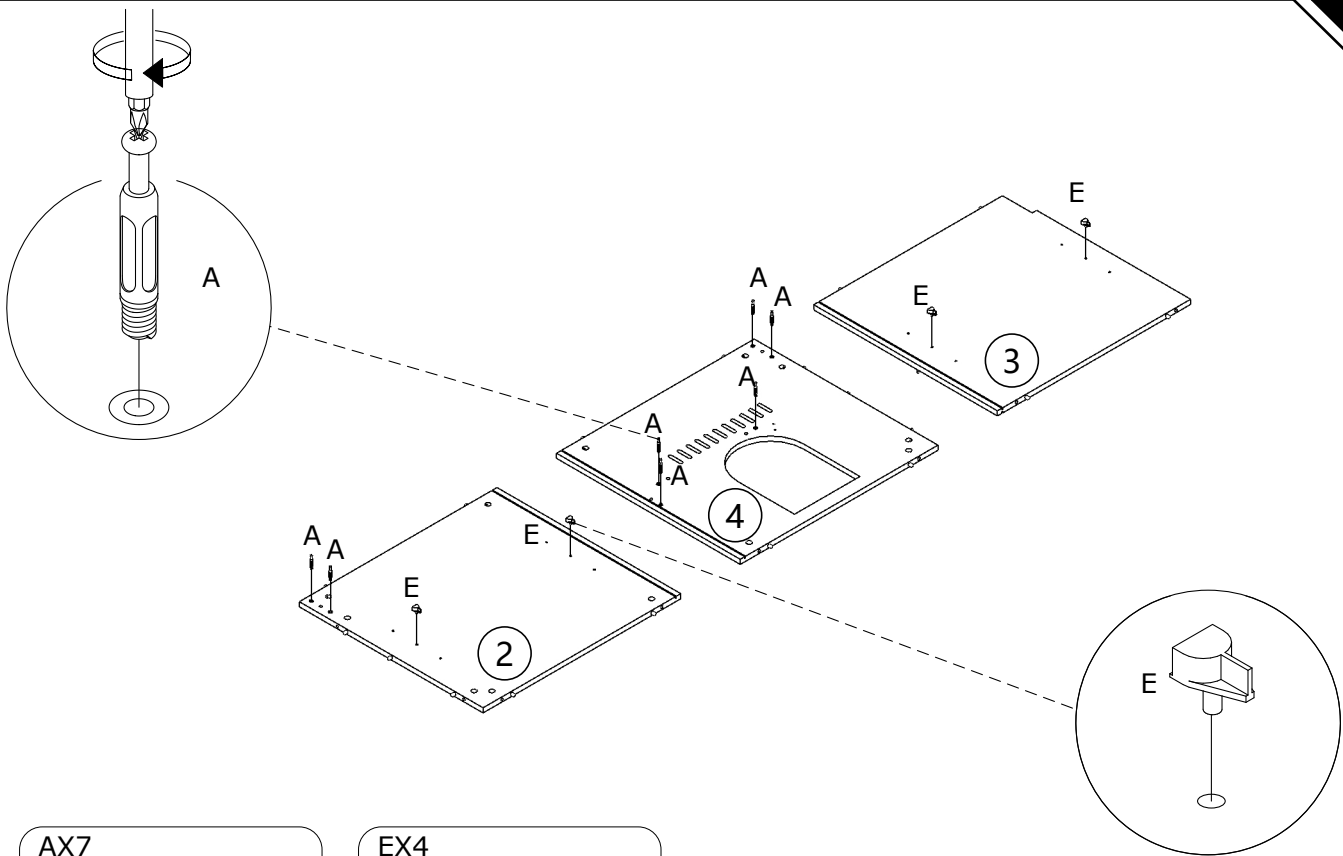
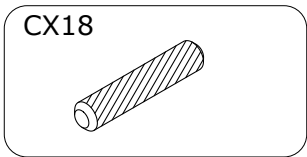
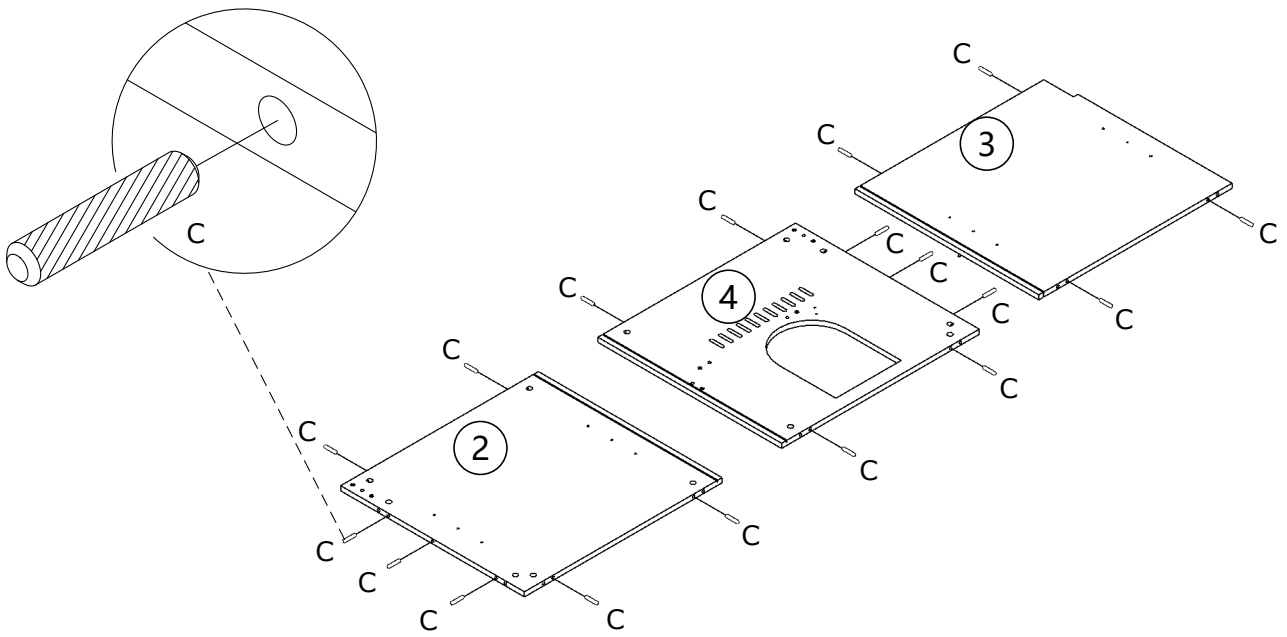
<p><b>A</b> X41</p> 	<p><b>B</b> X41</p> 	<p><b>C</b> X42</p> 	<p><b>D</b> X41 3.5*14mm</p> 
<p><b>E</b> X4</p> 	<p><b>F</b> X2</p> 	<p><b>G</b> X1</p> 	<p><b>H</b> X1</p> 
<p><b>I</b> X11</p> 	<p><b>J</b> X1</p> 	<p><b>K</b> X4</p> 	<p><b>L</b> X2</p> 
<p><b>M</b> X4</p> 	<p><b>N</b> X3</p> 	<p><b>O</b> X2</p> 	<p><b>P</b> X1</p> 
<p><b>Q</b> X2</p> 	<p><b>R</b> X2</p> 	<p><b>S</b> X2</p> 	

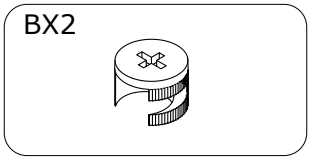
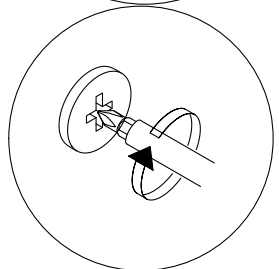
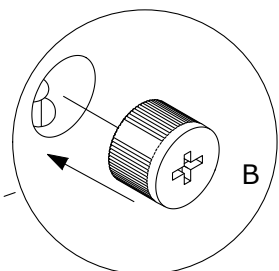
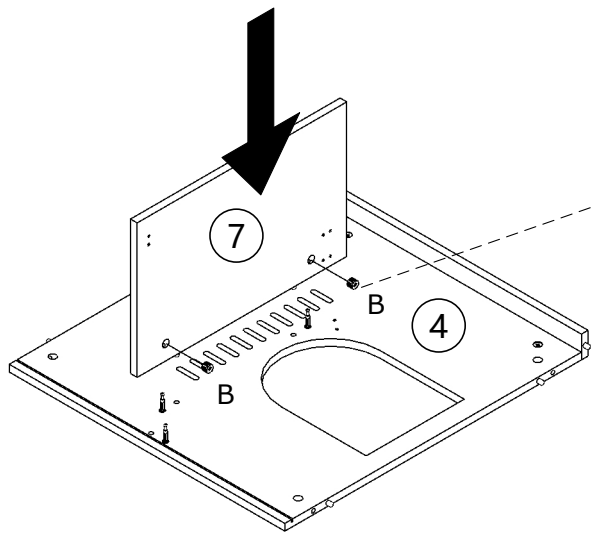
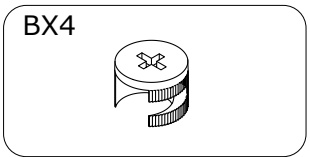
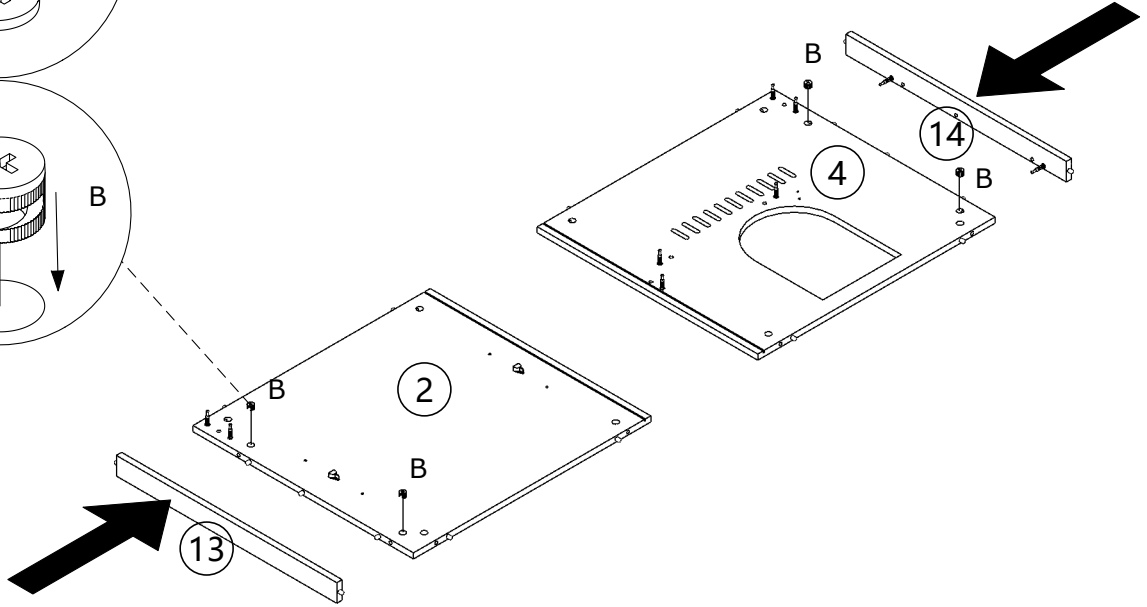
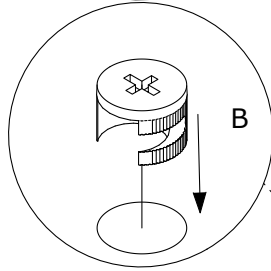
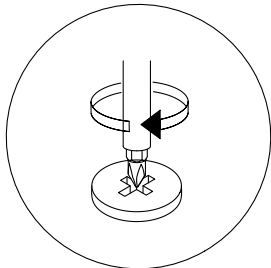


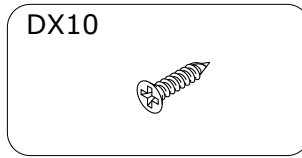
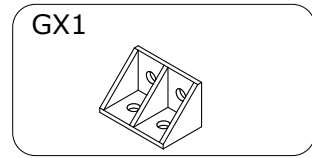
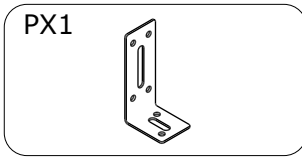
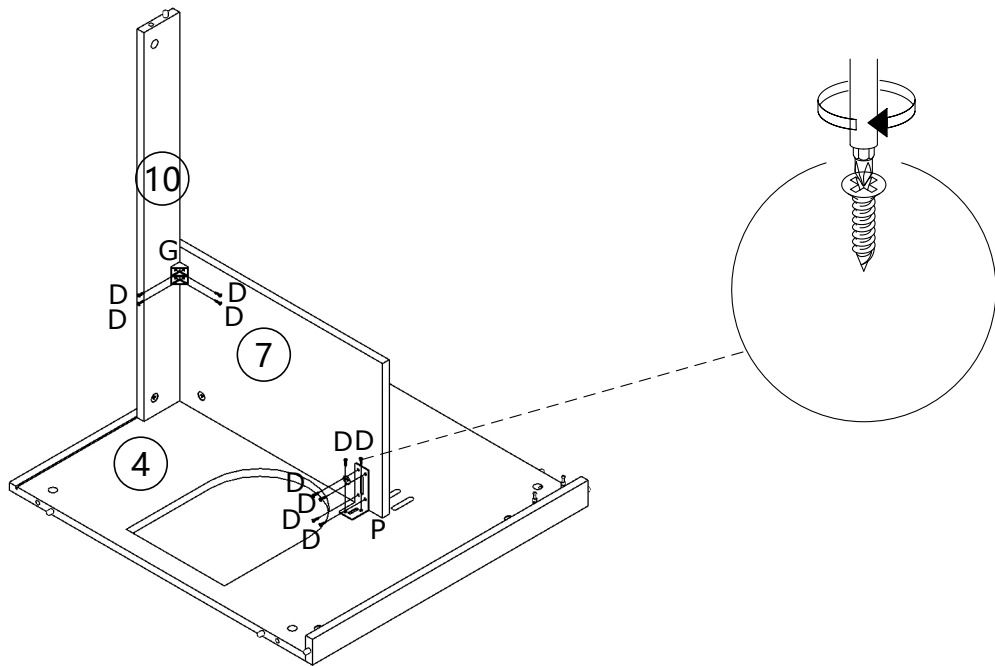
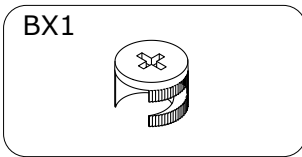
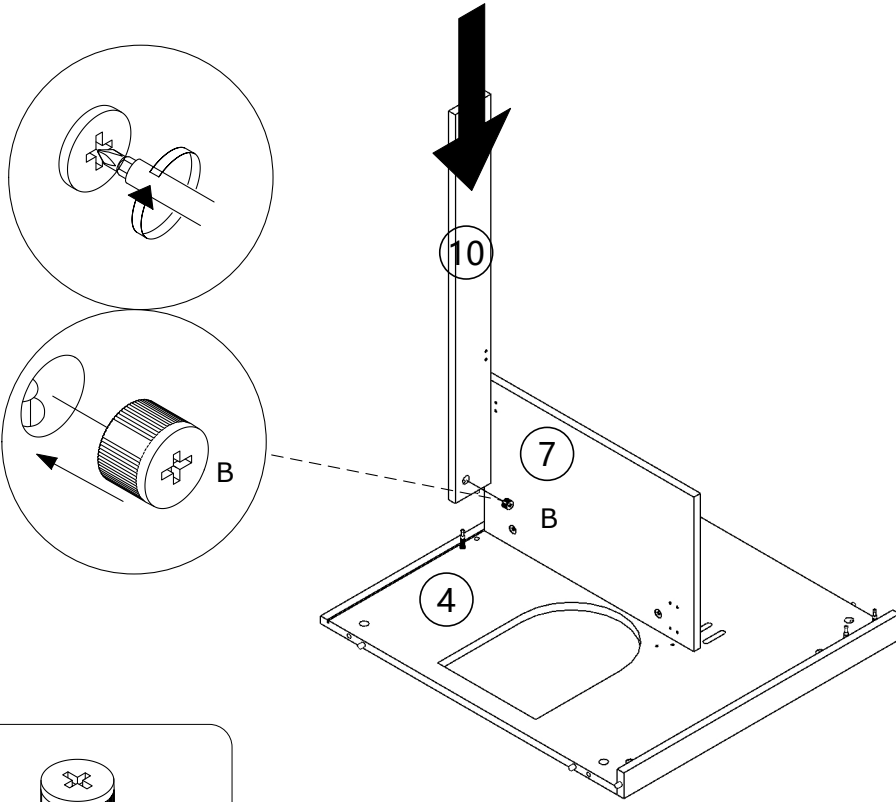


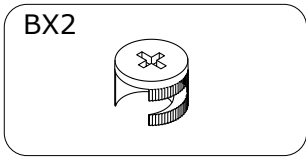
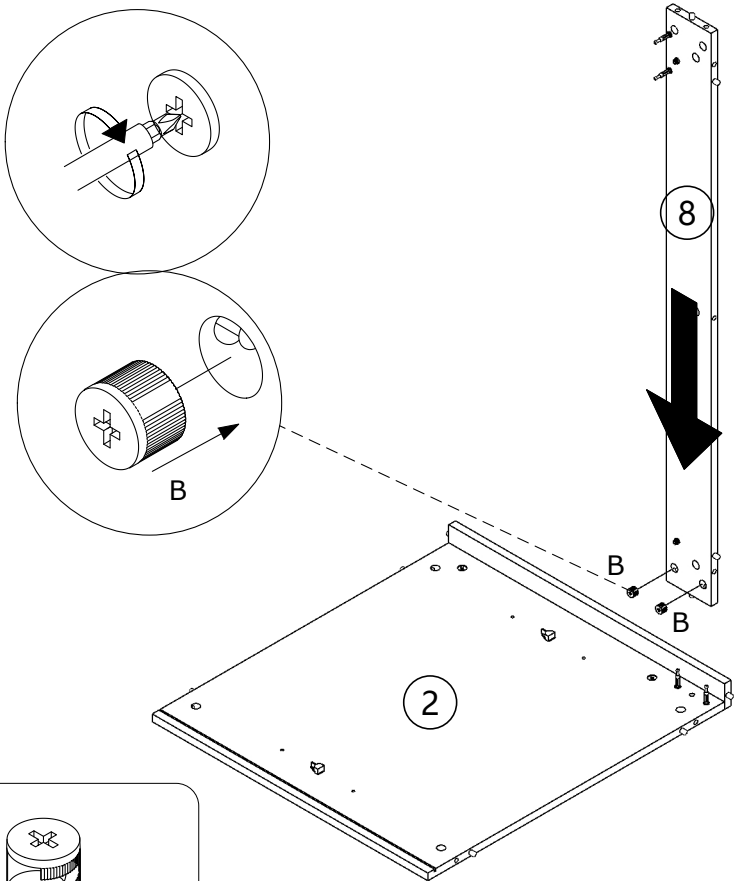
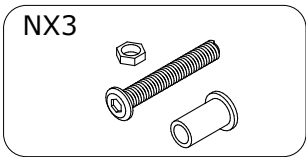
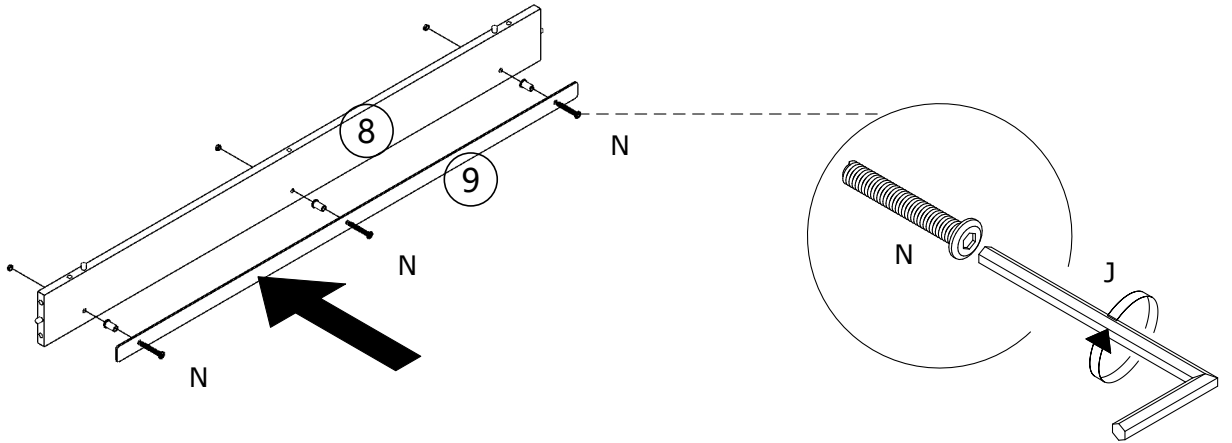




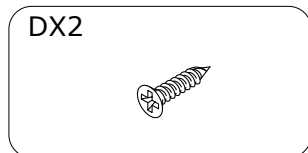
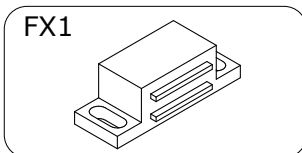
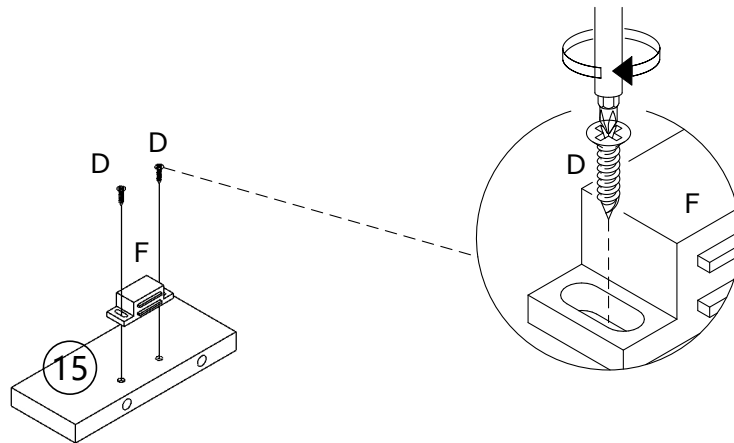
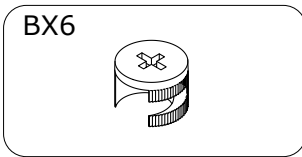
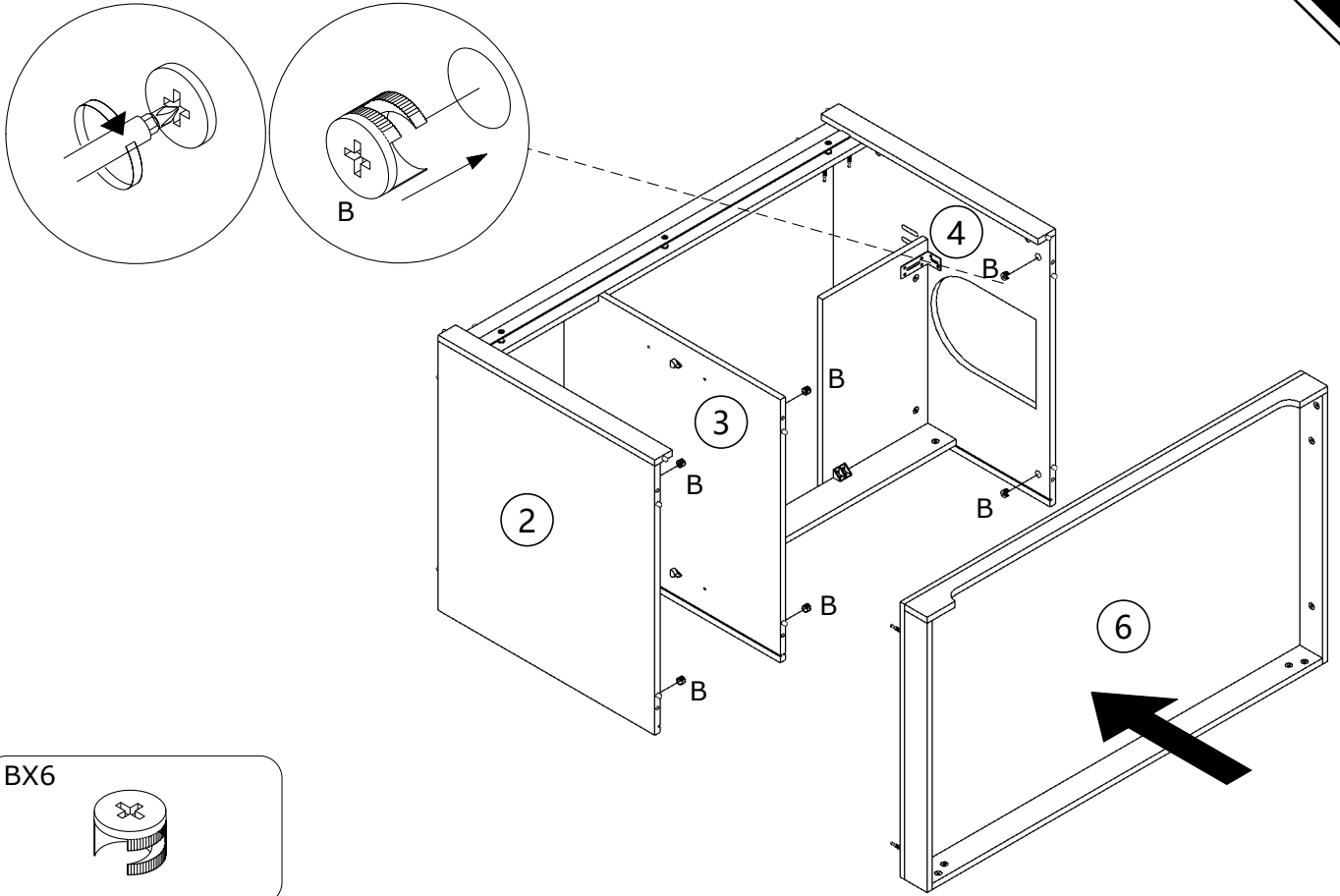


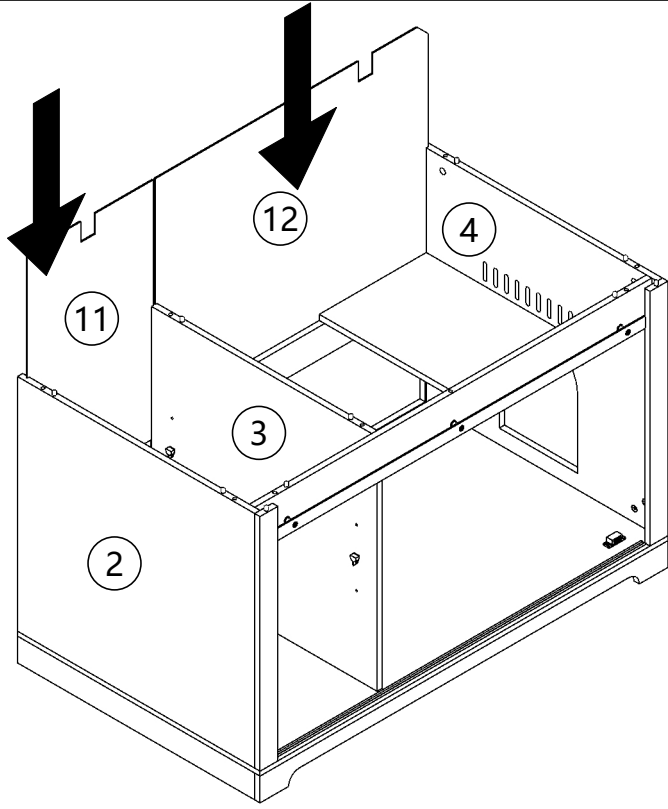
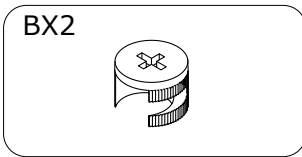
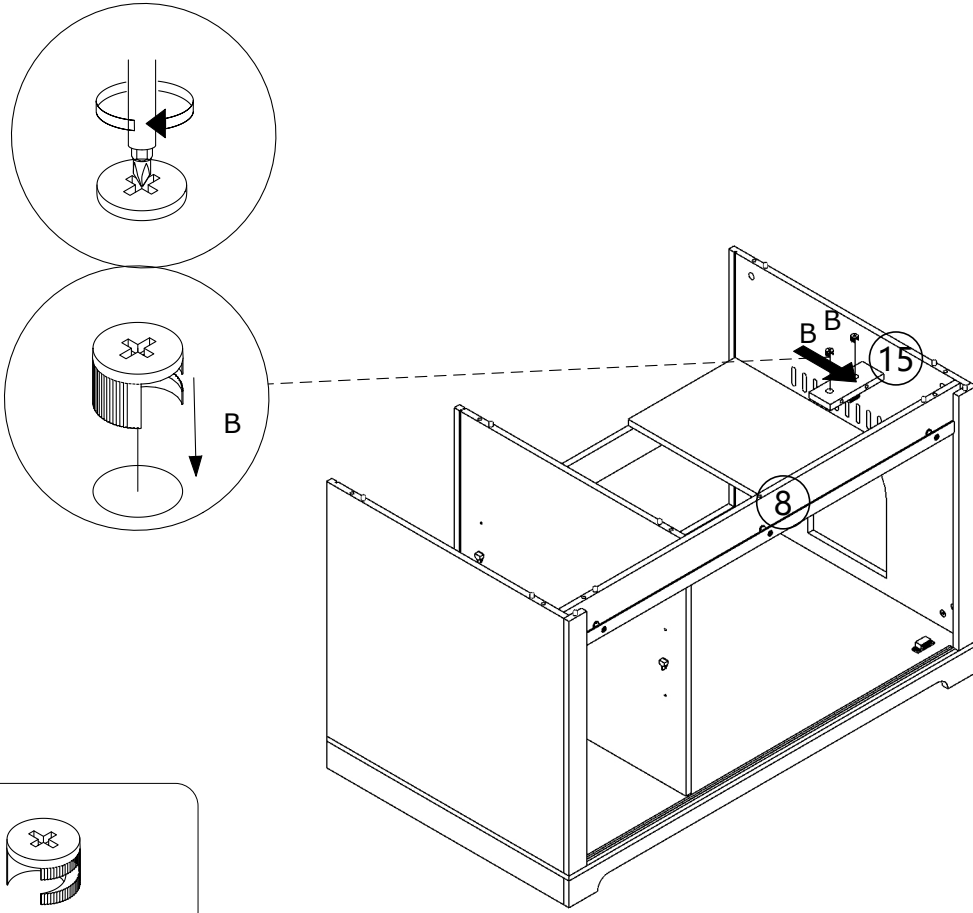


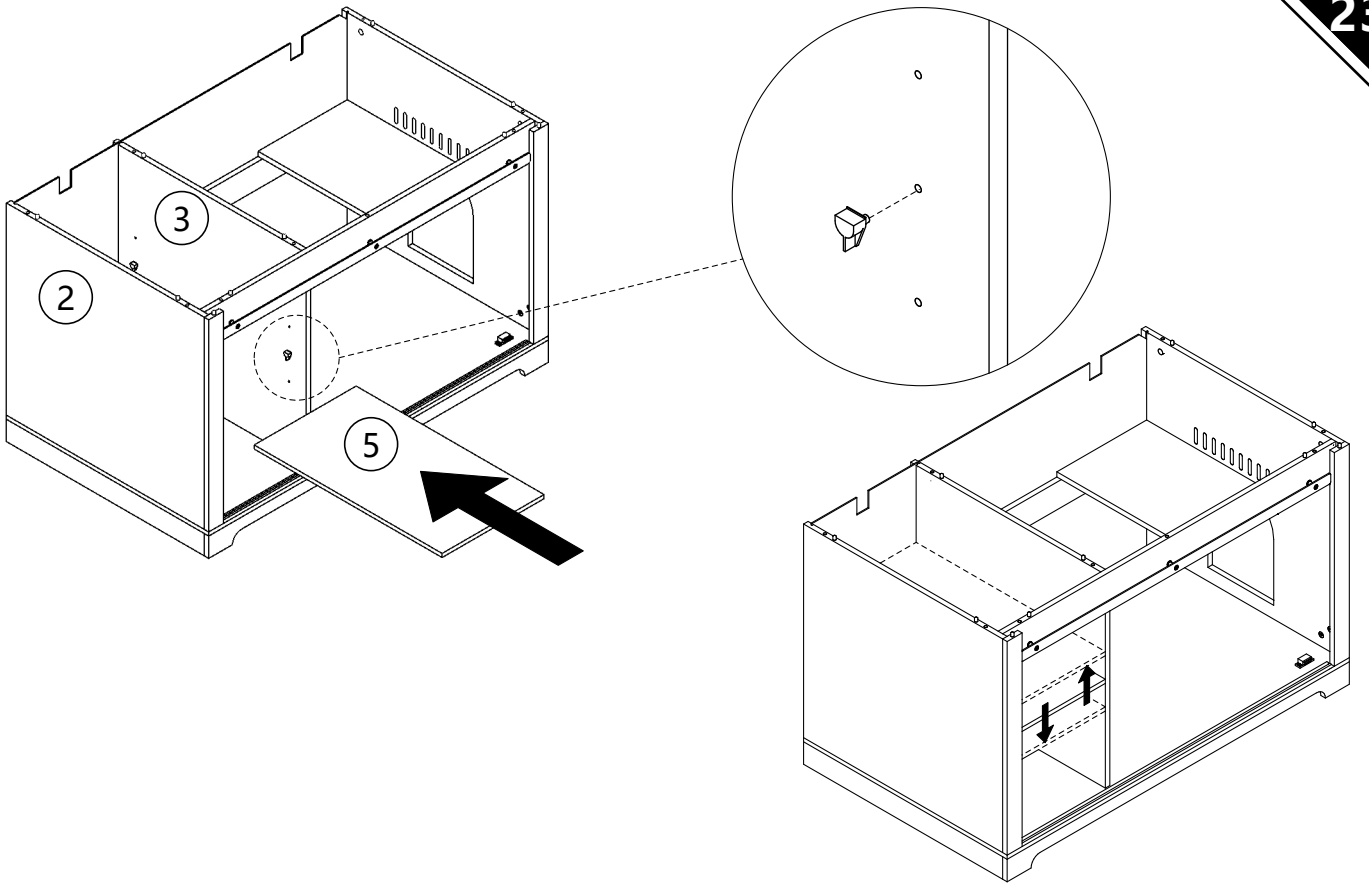




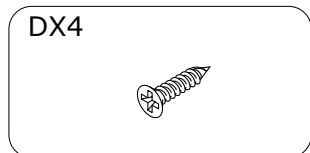
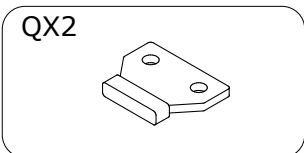
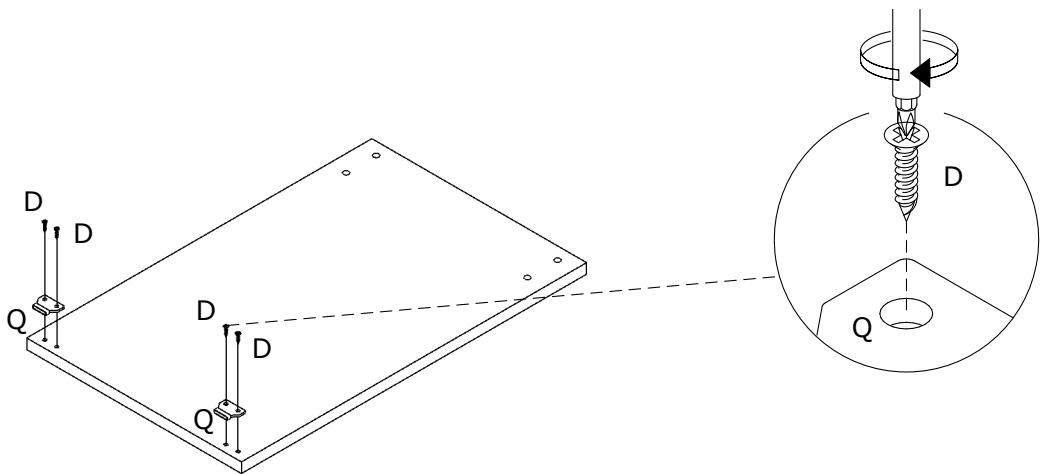


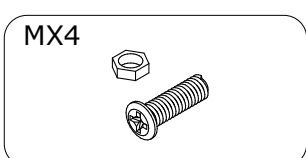
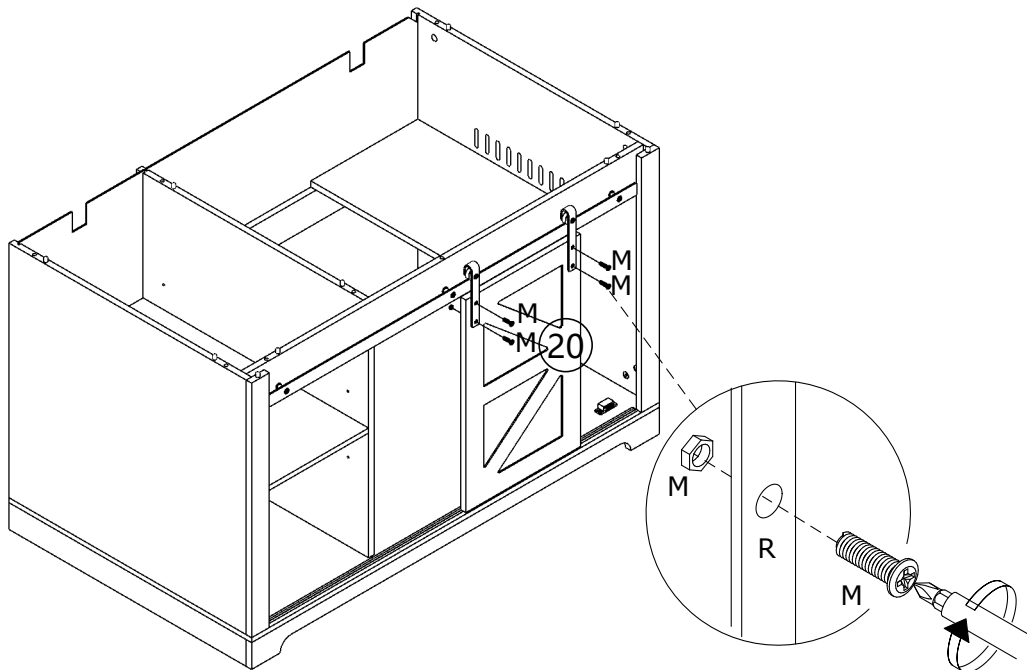
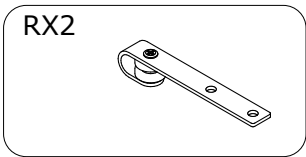
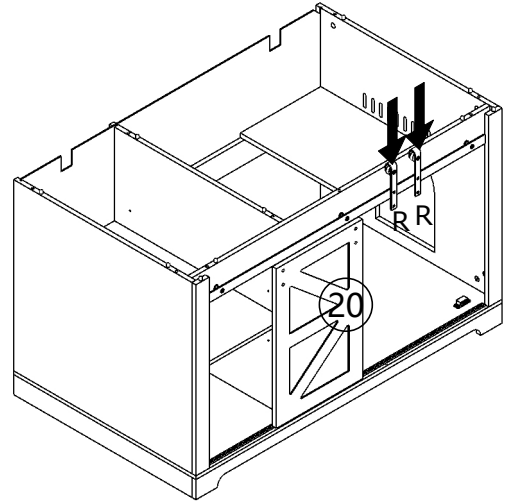
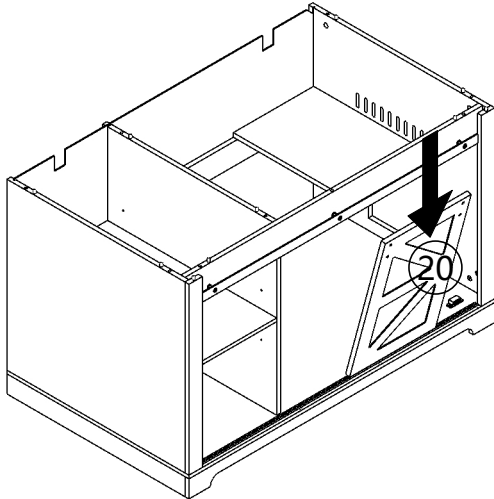


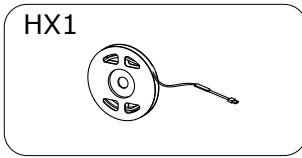
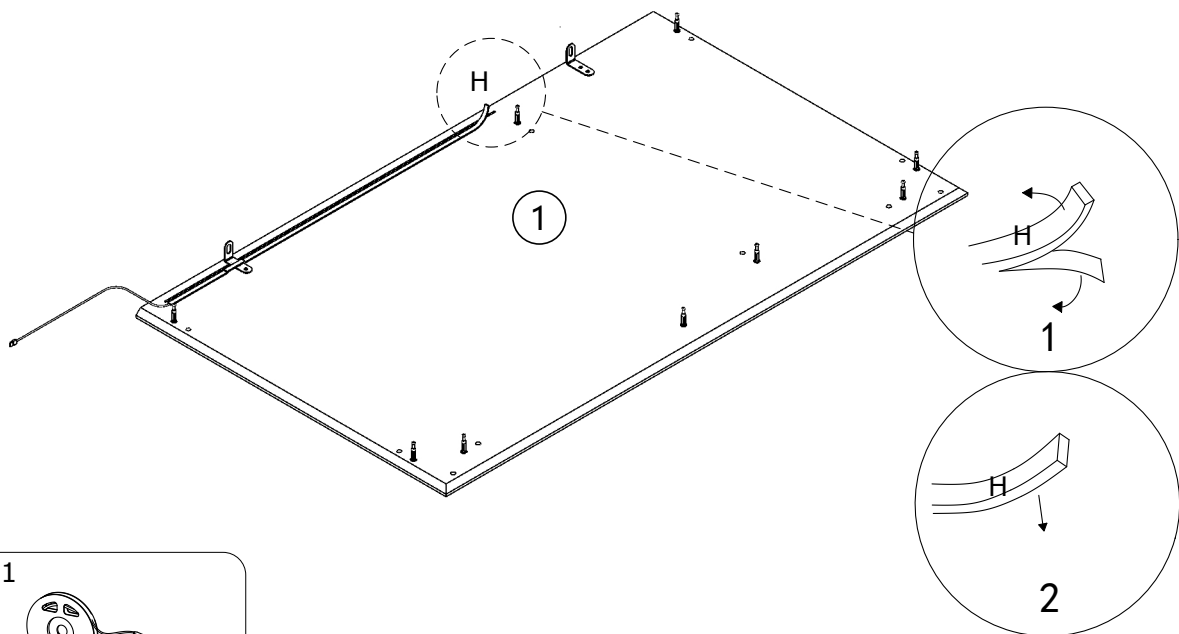
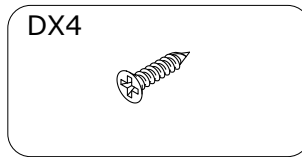
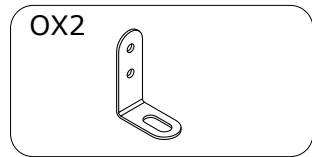
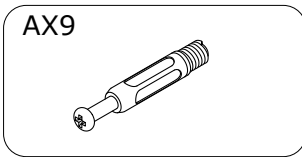
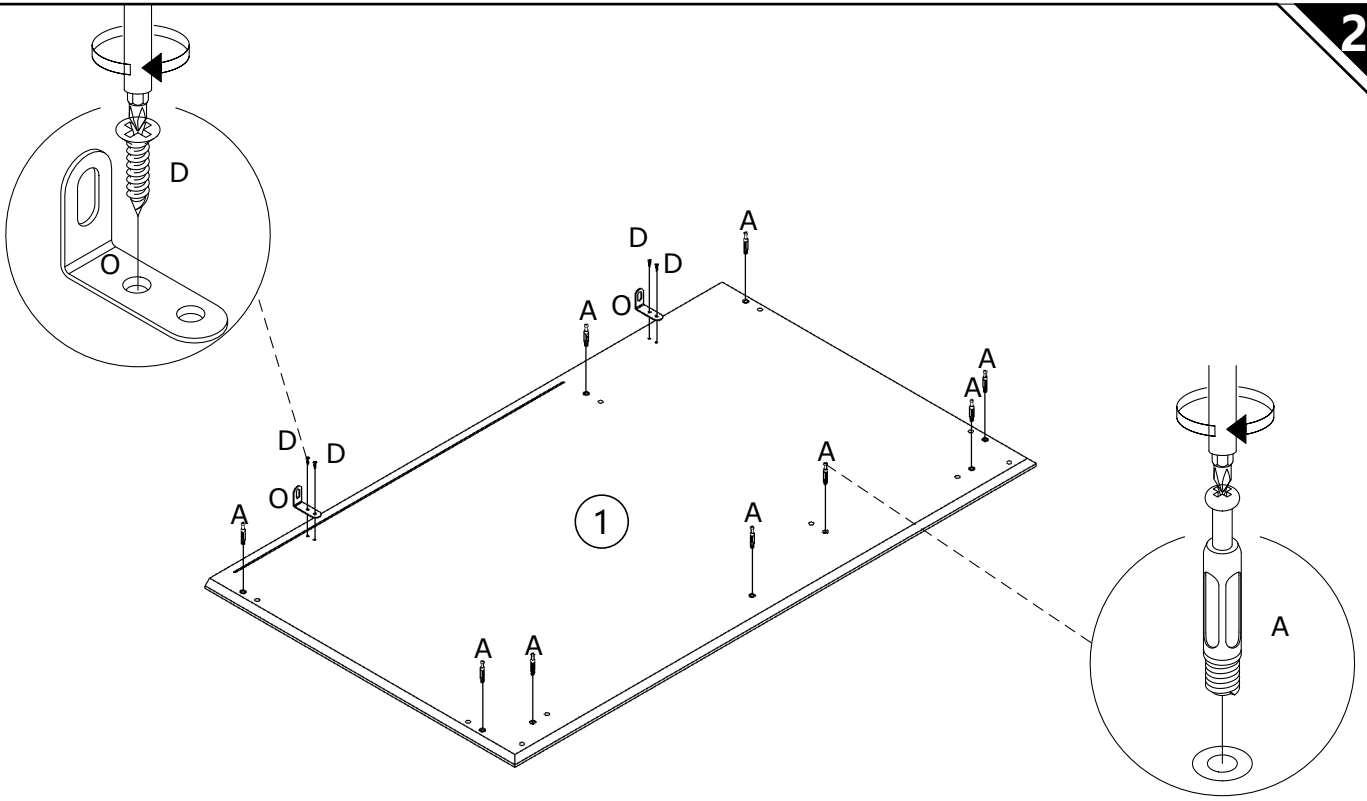


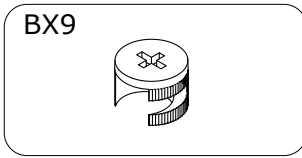
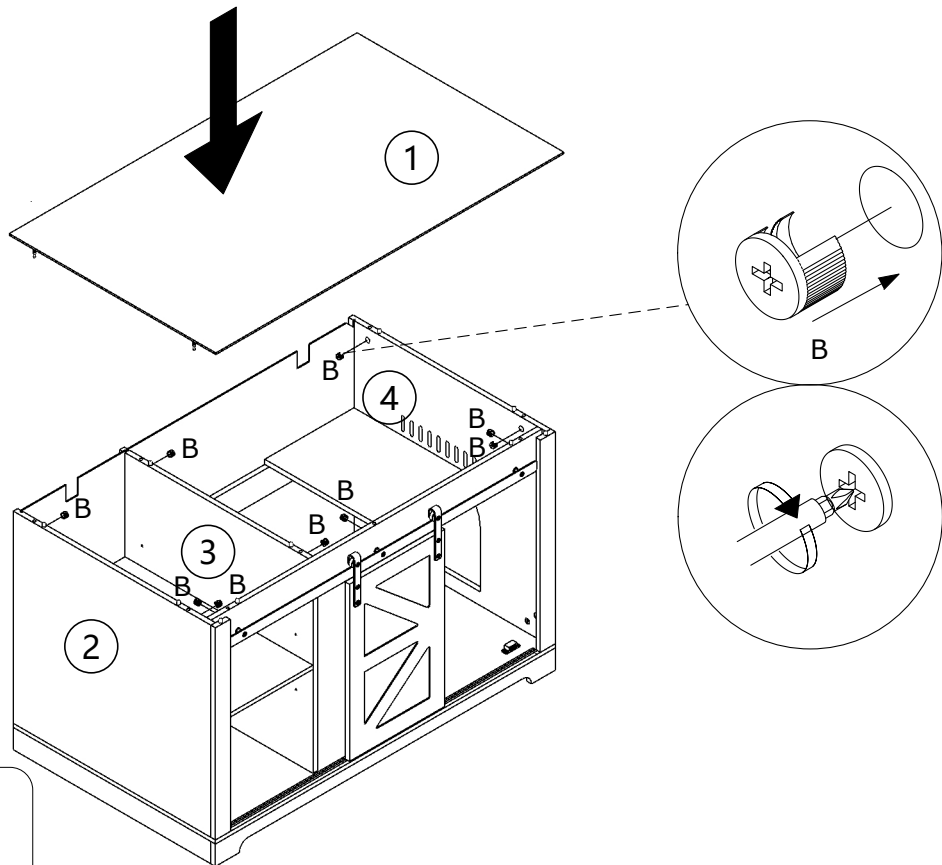
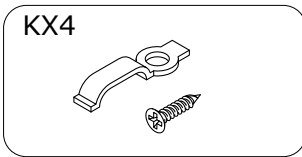
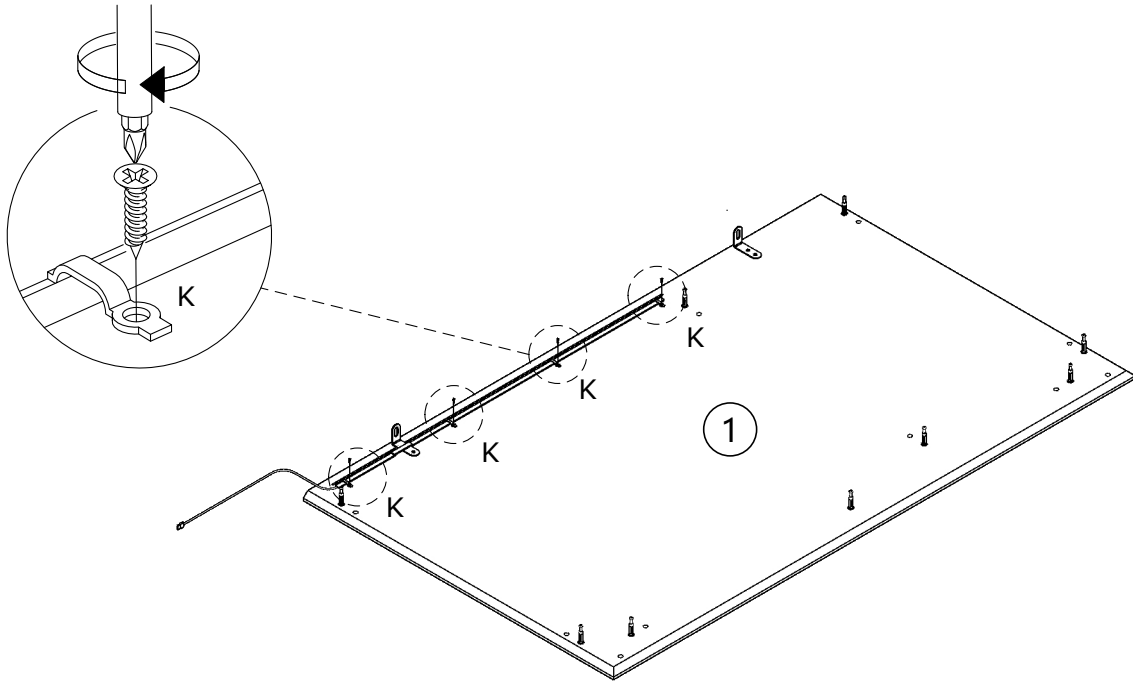


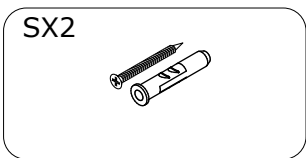
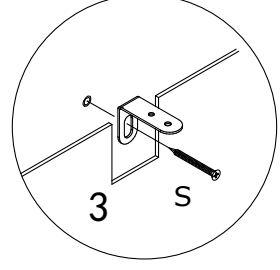
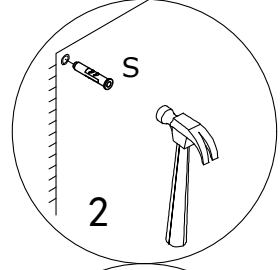
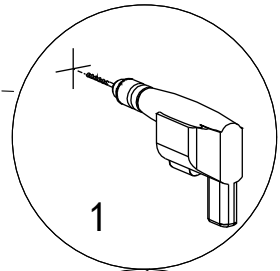
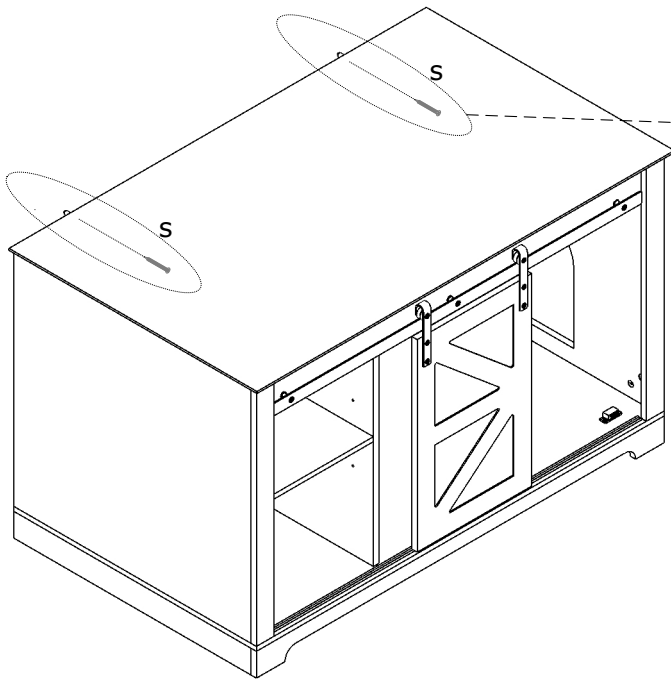
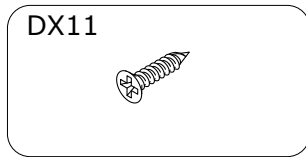
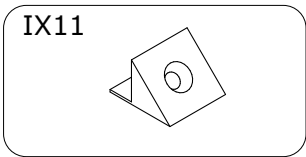
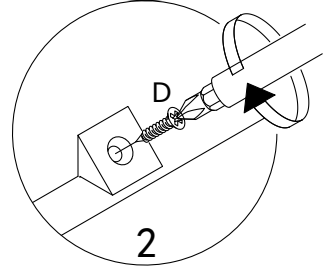
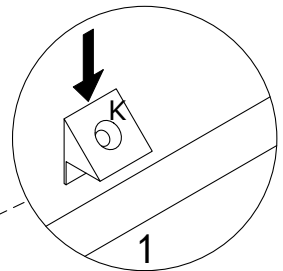
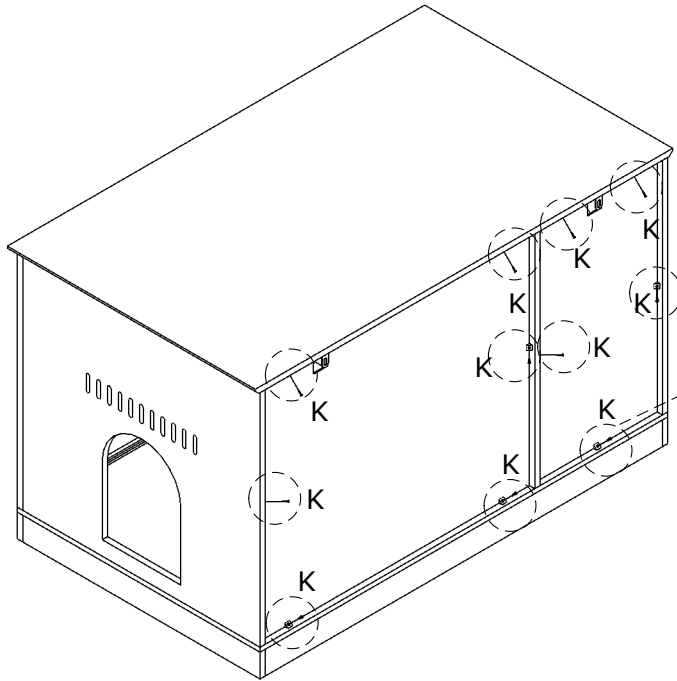
You can adjust the height of the partition board according to your needs

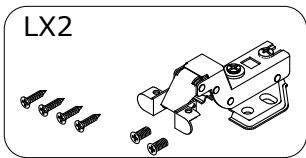
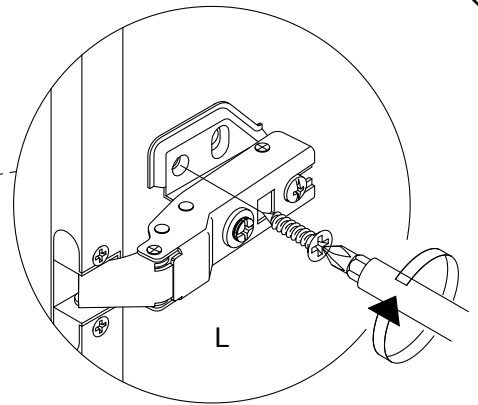
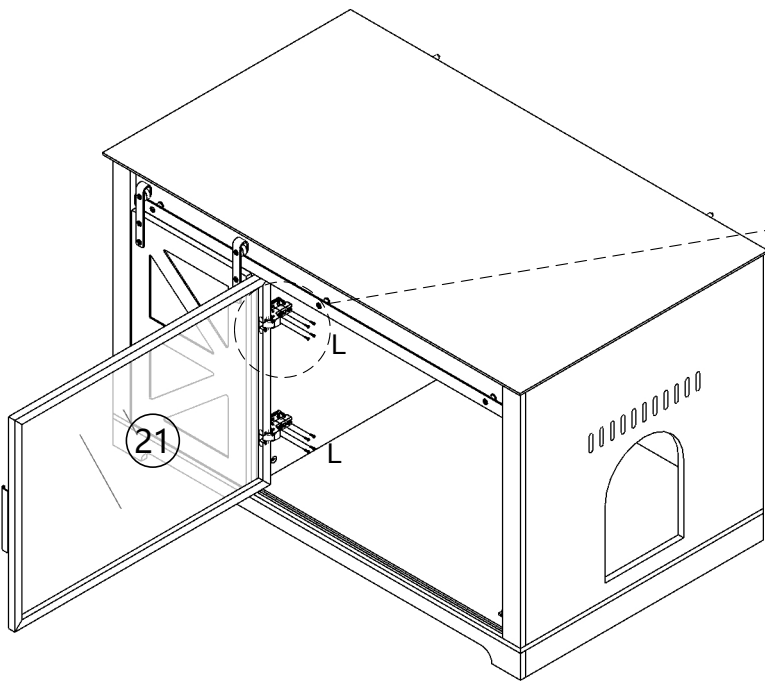
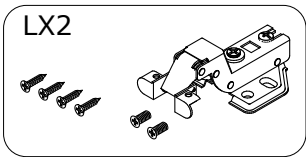
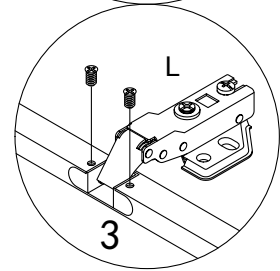
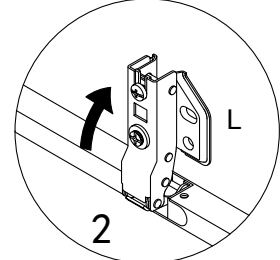
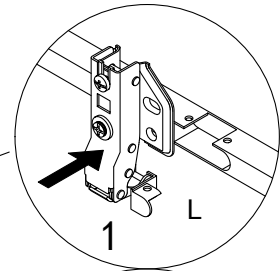
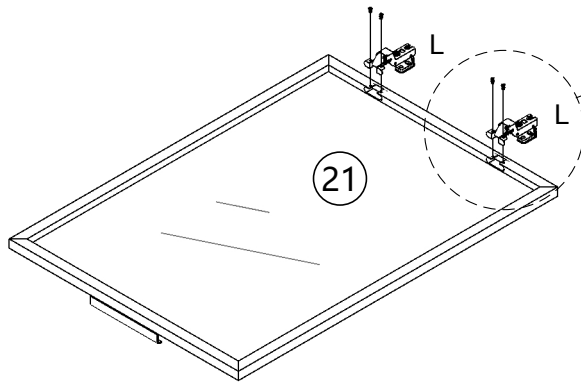


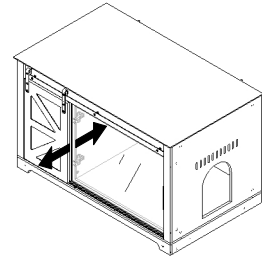
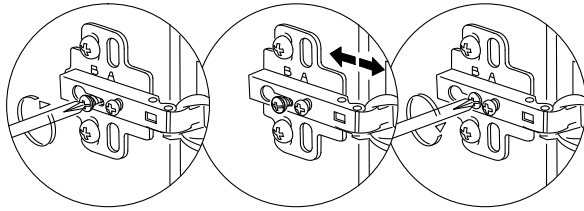
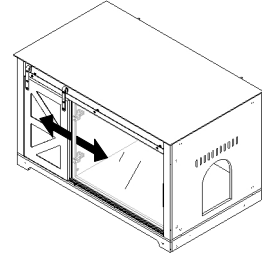
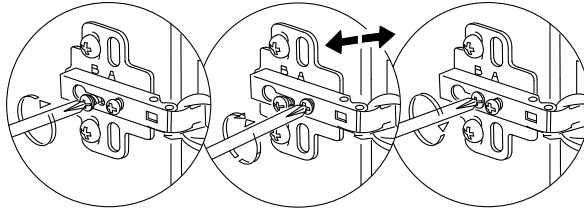
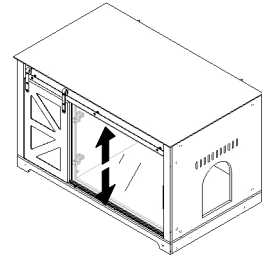
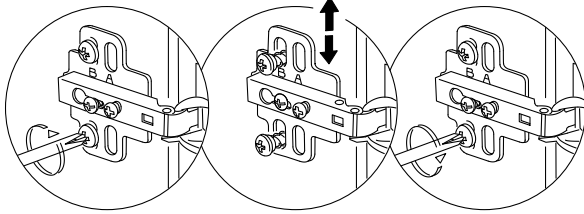












## APP PROGRAM USAGE



- ①Connect LED color strip and controller, power on controller
- ②Download APP.
- ③Start APP, search and connect controller
- ④Enjoy the Bluetooth wireless control experience



Notes:  
detailed operating instructions,  
enter the menu "Guide":

Product Paramters:  
-Bluetooth:BLEV4.2  
-Input Voltage:4.5~26V  
-Working Temp:-25~75°C  
-Size:43\*22\*11mm  
-Weight:30g  
-Max Power:144W(24V)

LED mobile phone Bluetooth controllerProduct Features

- LED Bluetooth controller is directly via mobilephone control remote distance can reach 20m without the need to setupeasy to connect open the software within 5 seconds you can automatically connect the controller
- Flow the rhythm of the music changes
- Group control
- Brightness, speed addition and subtraction
- Maximum can be 10 meters RGB(W) strip
- The software shows that the text is based onthe language of the mobile phone set up automatic transformation of Chinese and English

ANIMATION EFFECTS:

- Colorful gradient
- All kinds of monochrome, double color gradient
- All kinds of monochrome, double color, colorfull flashing
- Colorful jump
- Follow the thymhm of the music chagnes