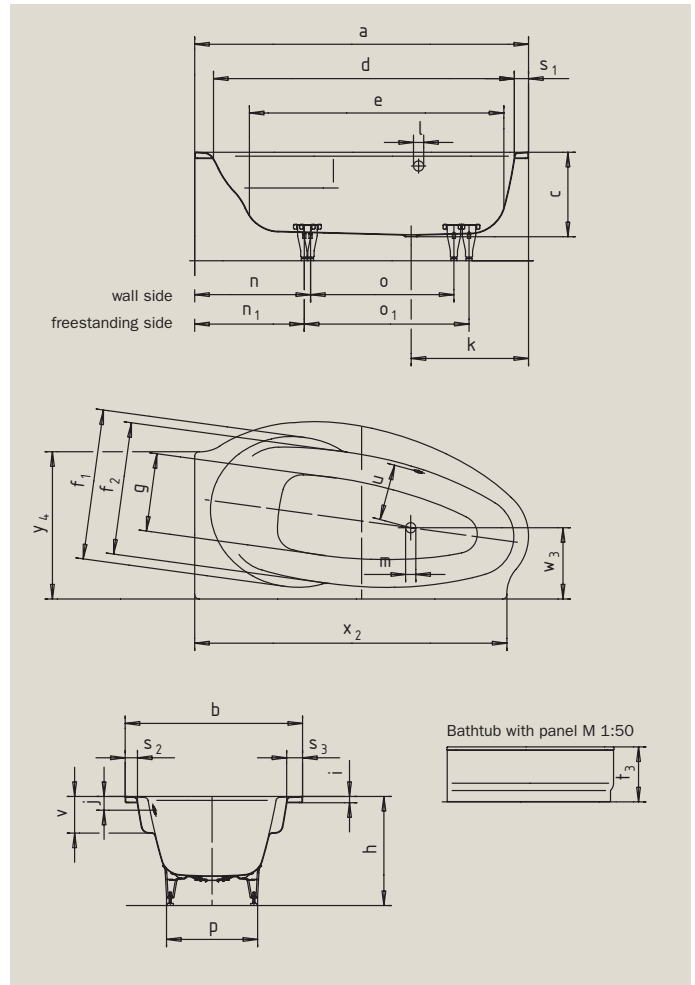


# ATMO left

- harmoniously designed corner bathtub with left and right installation options
- generously proportioned area for the back and integrated arm rests
- made of Kaldewei steel enamel 3.5 mm
- also available with panel and handles



		inch	mm
<b>Model No.</b>		<b>828</b>	<b>828</b>
External length	a	66.93	1700
External width	b	35.43	900
Depth	c	16.93	430
Internal length (top)	d	60.83	1545
<b>Internal length (bottom)</b>	<b>e</b>	<b>50.79</b>	<b>1290</b>
Internal width (top)	f <sub>1</sub> ; f <sub>2</sub>	30.12; 26.57	765; 675
Internal width (bottom)	g	13.39	340
Height with feet	h	21.65-22.64	550-575
Height of rim	i	1.26	32
Distance top edge to centre of overflow hole	j	2.76	70
Distance tub edge to centre of drain hole	k	23.62	600
Diameter of overflow hole	l	2.05	52
Diameter of drain hole	m	2.05	52
Distance foot end of tub edge to centre of foot	n; n <sub>1</sub>	23.23; 21.97	590; 558
Distance between the feet	o; o <sub>1</sub>	29.33; 34.65	745; 880
Max. width of feet	p	20.67	525
Width of rim (foot end; lengthwise)	s <sub>1</sub> ; s <sub>2</sub> ; s <sub>3</sub>	2.95; 2.36; 5.51	75; 60; 140
Height with support and panel	t <sub>3</sub>	22.05	560
Distance between centre holes	u	11.42	290
Armrest depth	v	7.87	200
Distance tub edge (lengthwise) to drain hole	w <sub>3</sub>	14.29	363
Side length (lengthwise)	x <sub>2</sub>	62.60	1590
Side length (head end)	y <sub>4</sub>	29.53	750
Water volume** in gallons		39.35	
Weight of the enamelled bath tub in lbs		119.05	

Subject to technical alterations and tolerances.  
 \*\* 18.49 gallons displacement on average.

**KALDEWEI**  
 Europe's No. 1 for baths