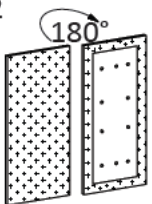

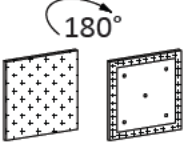



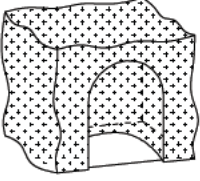


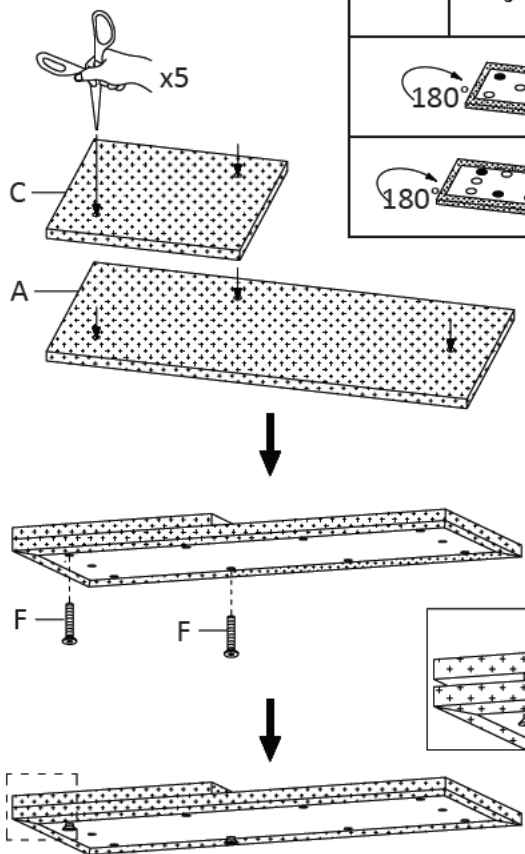



<p>Ax2</p>  <p>474x218 18.7x8.6</p>	<p>Bx2</p>  <p>218x218 8.6x8.6</p>	<p>Cx2</p>  <p>218x218 8.6x8.6</p>	<p>Dx2</p> 	<p>Ex3</p> 
<p>Fx10</p> 	<p>Hx2</p> 		 <p>x2</p>	


**1**




Fx2





180°

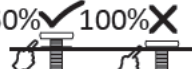


180°

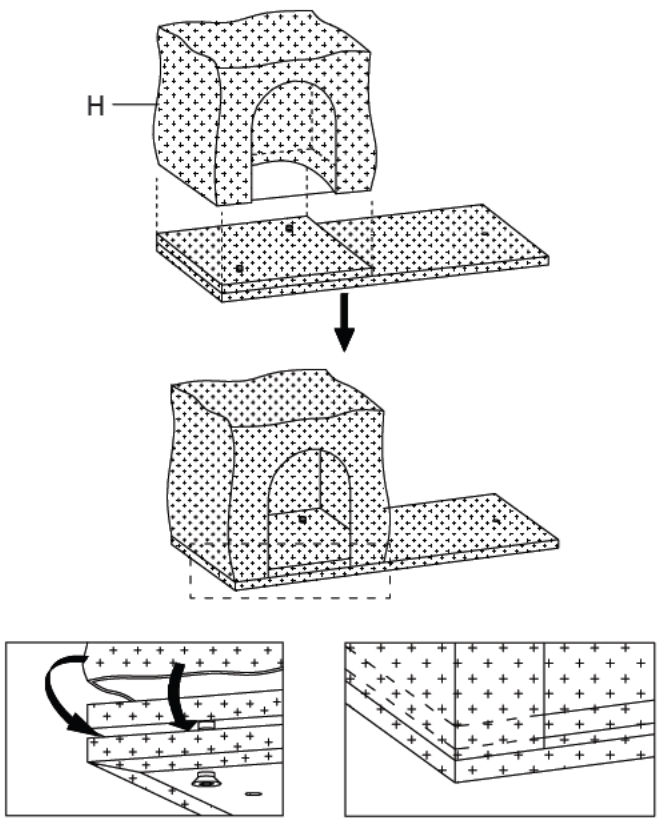




  60%

60% ✓ 100% ✗

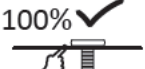


**2**

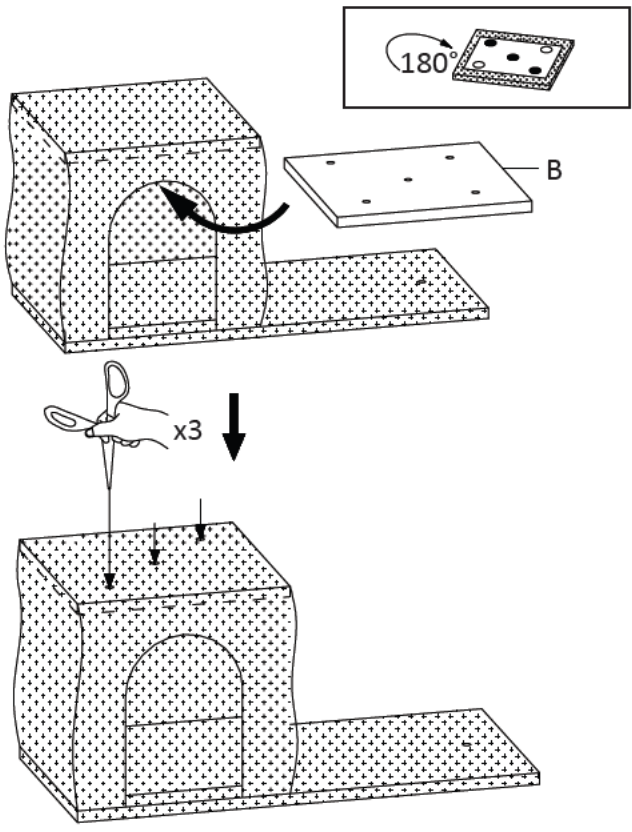


  100%

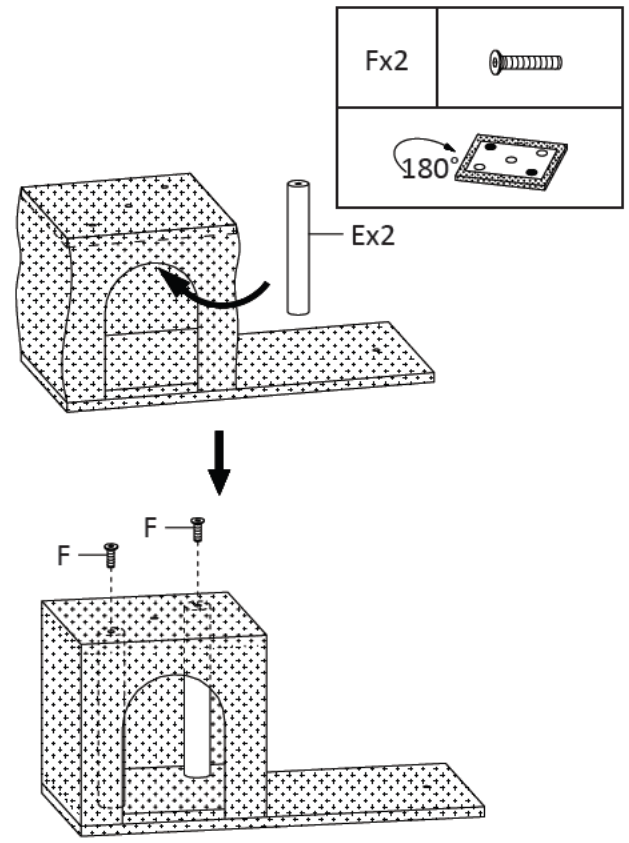
100% ✓



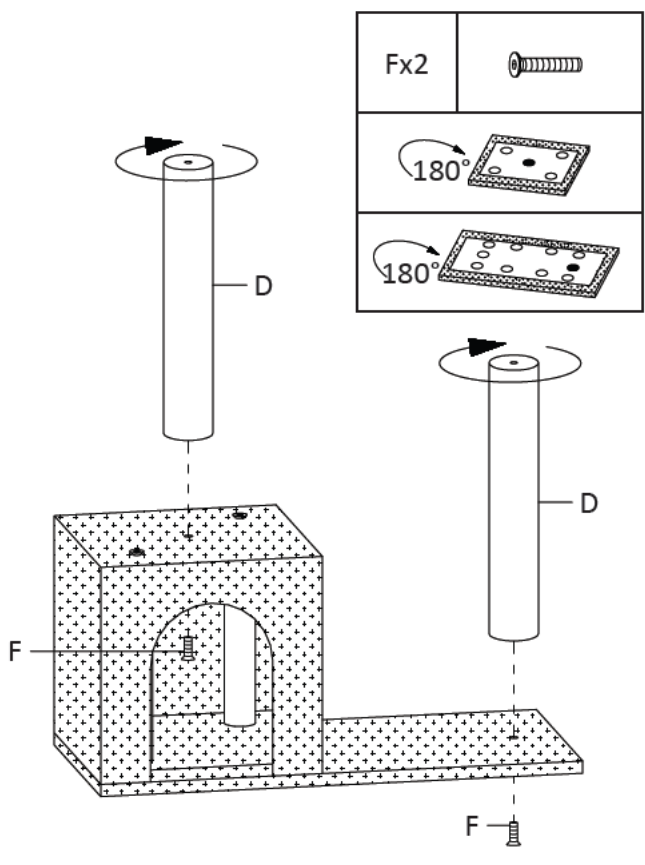
3



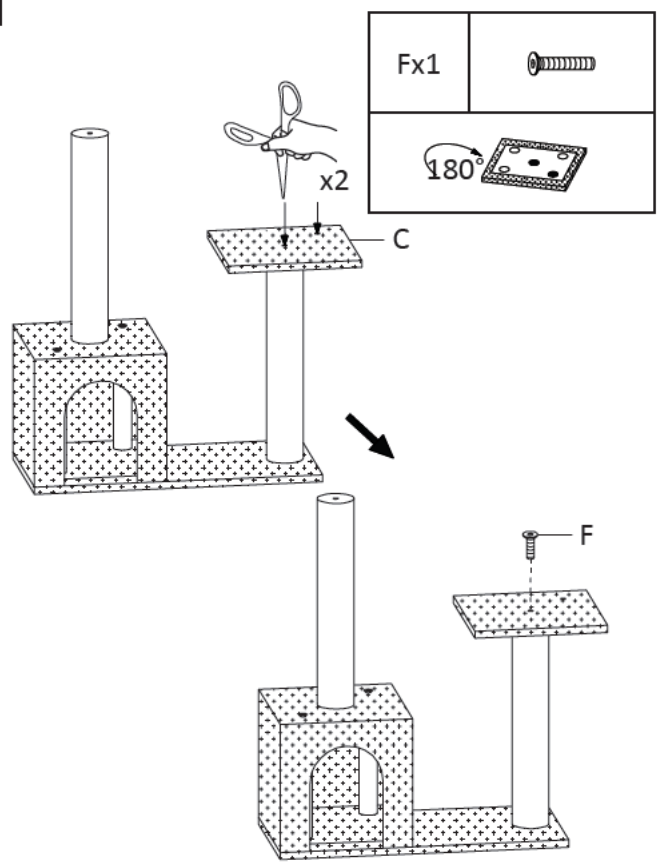
4



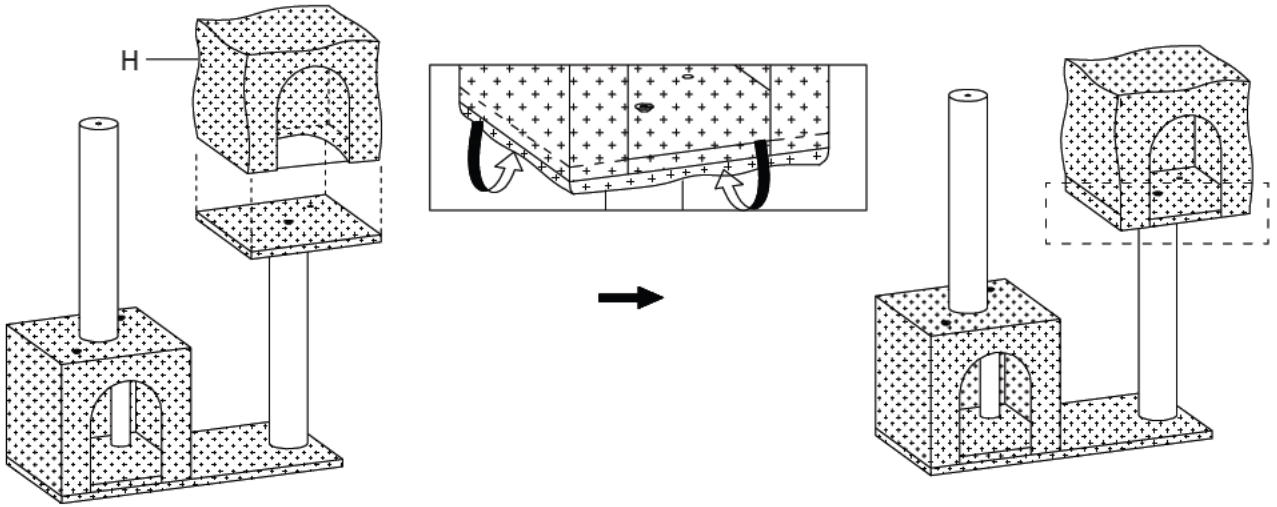
5



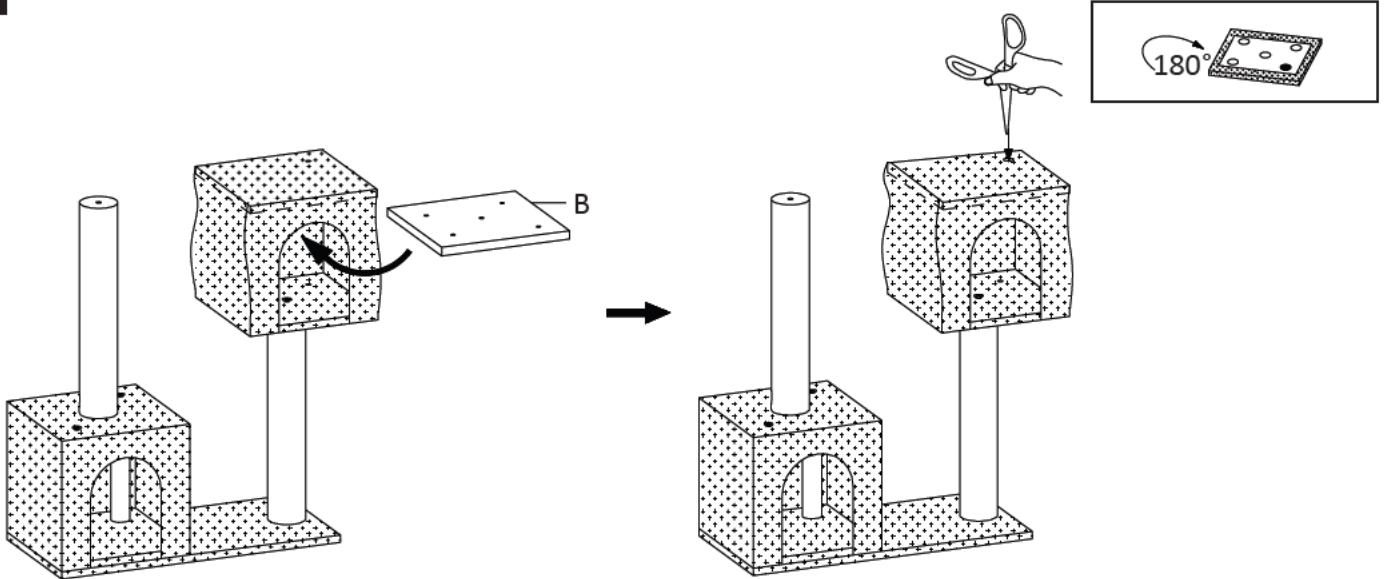
6



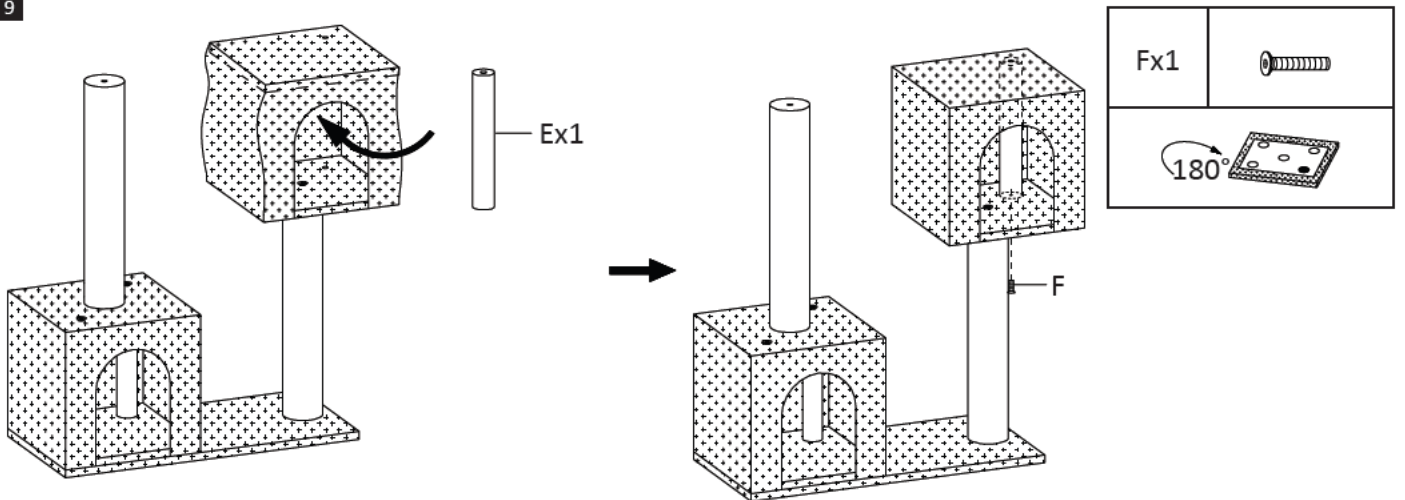
7



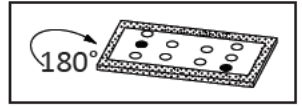
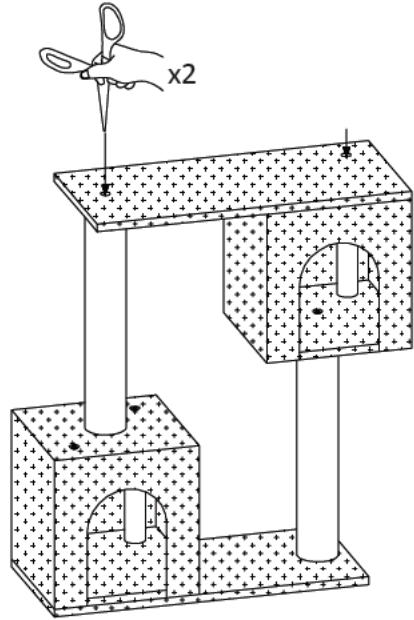
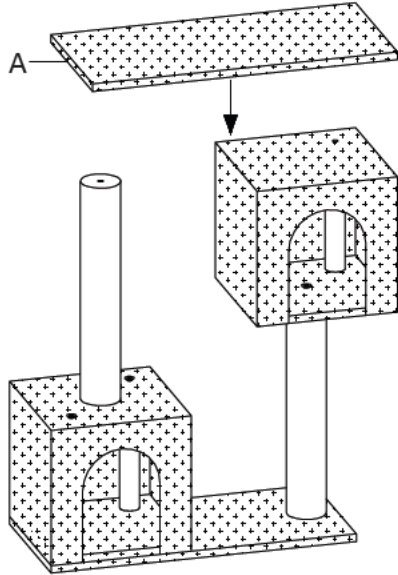
8



9



10



11

