

IMPORTANT INFORMATION

To avoid the risk of electrocution, please turn OFF the electricity supply mains before commencing the installation.

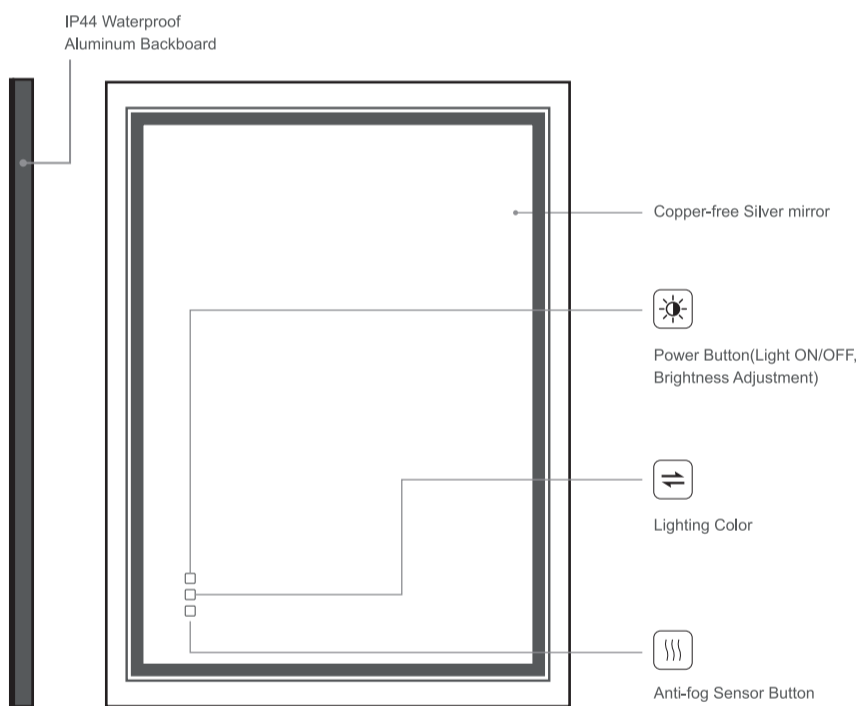


Do not stand the mirror upright on hard surfaces whilst fitting as this will damage the edge.

Keep the plastic corner protectors on until installation is fully completed.

We recommend this item gets fitted by a qualified electrician

Product Information



Specification:

LED Color: 3,000k-6,000k

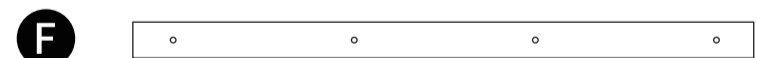
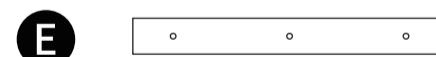
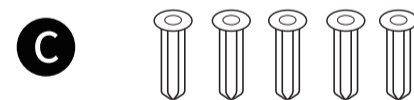
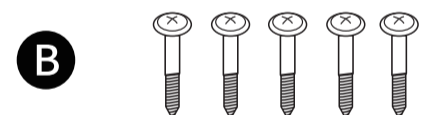
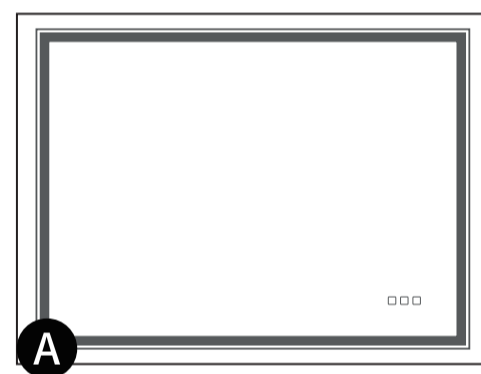
Material: 5mm copper-free silver mirror and aluminum back frame

Input: 110V

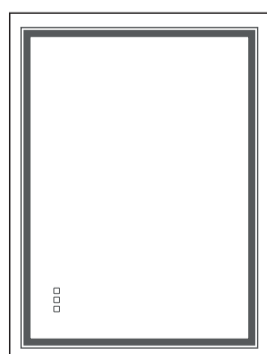
Safety Compliance: UL Certified Electronic Parts

Power Connection: Plug or Hardwired

Package Content:



Part Name	PCS
A: Mirror	1
B: Screw	5
C: Dowel	5
D: Manual	1
E: Vertical Mounting Plate	1
F: Horizontal Mounting Plate	1



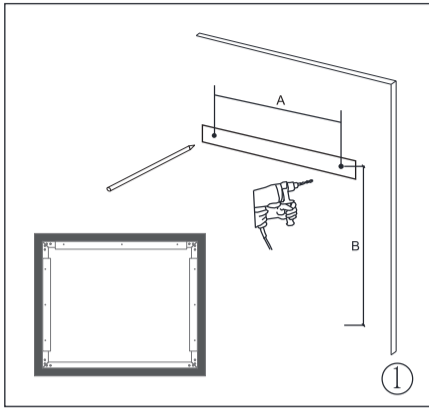
Use the right mounting plate:

Vertical mounting plate for vertical hanging

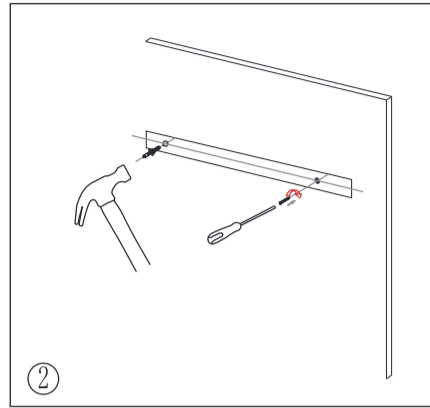
Horizontal mounting plate for horizontal hanging

Installation

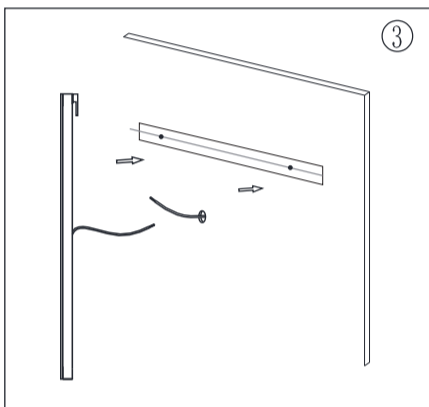
Note: Keep the plastic corner protectors on until installation is fully completed.



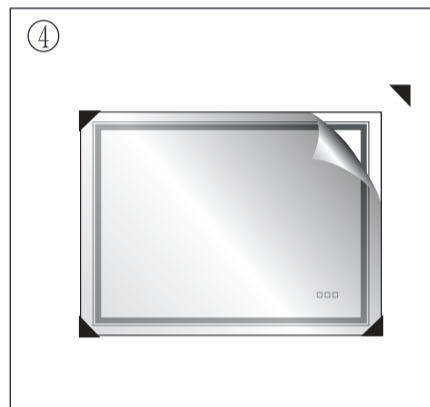
Accurately measure the installation height and punching position on the wall, and use an electric drill to punch holes in the measured position.



Insert the screws to fix the plastic, align the hanger with the fixed rubber particles, and then tighten the screws to fix the hanger.



Connect the mirror wires with your main wires and Hang the mirror on the mounting plate.



Peel off the protective film and clean the mirror with a soft cloth.

Operation

The sensor button indicator is blue when it is OFF and will turn white when it is ON.

Lighting Color Adjustable

It has three colors to select, natural light/warm light/white light



1. Short touch the power button to turn the light ON/OFF.
Long touch the power button to dim the currently selected light.



2. Short touch this button to adjust the lighting color

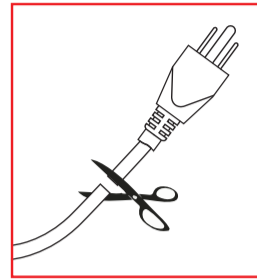


3. Anti-fog Function On/Off
Touch this button to turn the defogger ON/OFF.

led mirrors have passed all tests including dropping test, impact test, heavy pressure test, etc. So if received a damaged mirror, we will either give you a replacement or a full refund. If any other problems, please feel free to contact us

Power Connection Instruction

The mirror comes with a 5 ft power cable that can be directly plugged into the switch for convenient use. It can also be hardwired by cutting off the plug and control the ON/OFF of power via the wall switch.



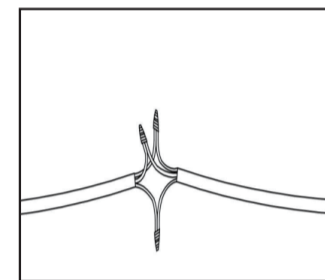
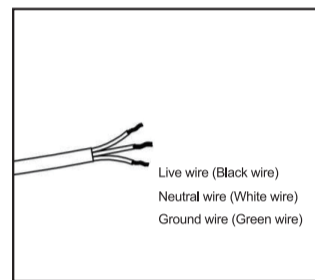
Warning:
Removing the plug connector will invalidate your product warranty.

If you would like to test the product function prior to installation, please test the product in any standard plug socket.

Before you start the installation, please ensure that:

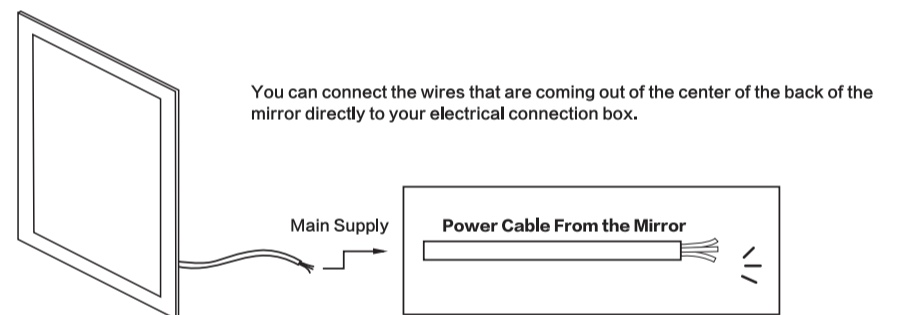
- the wall where the product is being installed is able to support the weight of the product
- the main electrical supply has been powered off to complete installation

- Green=GROUND wire connect to the ground wire in your box, or to the box as a ground.
- White=Neutral wire connect to the White Neutral wire in your box.
- Black=LIVE wire connect to the Black LIVE wire in your box.



(1) You would see there three wires with three colors--white, green and black.

(2) Safely connect these three wires one by one to the wires of the wall switch in your home.



Maintenance and Care

Never use scouring powder pads, abrasive material, strong bleach or sharp instruments on metal components or glass. An occasional wiping down with a mild soap diluted in water is all that is needed to keep the mirror and aluminum parts looking new. Testing on a small inconspicuous surface prior to use is suggested.

Care should be exercised when cleaning this product. Although its finish is extremely durable, it can be damaged by harsh abrasives and cleaning pads. To clean, use a light, non-abrasive cleaning solution or cleaning polish.

The warranty shall not apply and be void for incorrect operating procedures, breakages and/or damages caused by fault through improper installation, carelessness, abuse, misuse, misapplication, improper maintenance and alteration of the product.