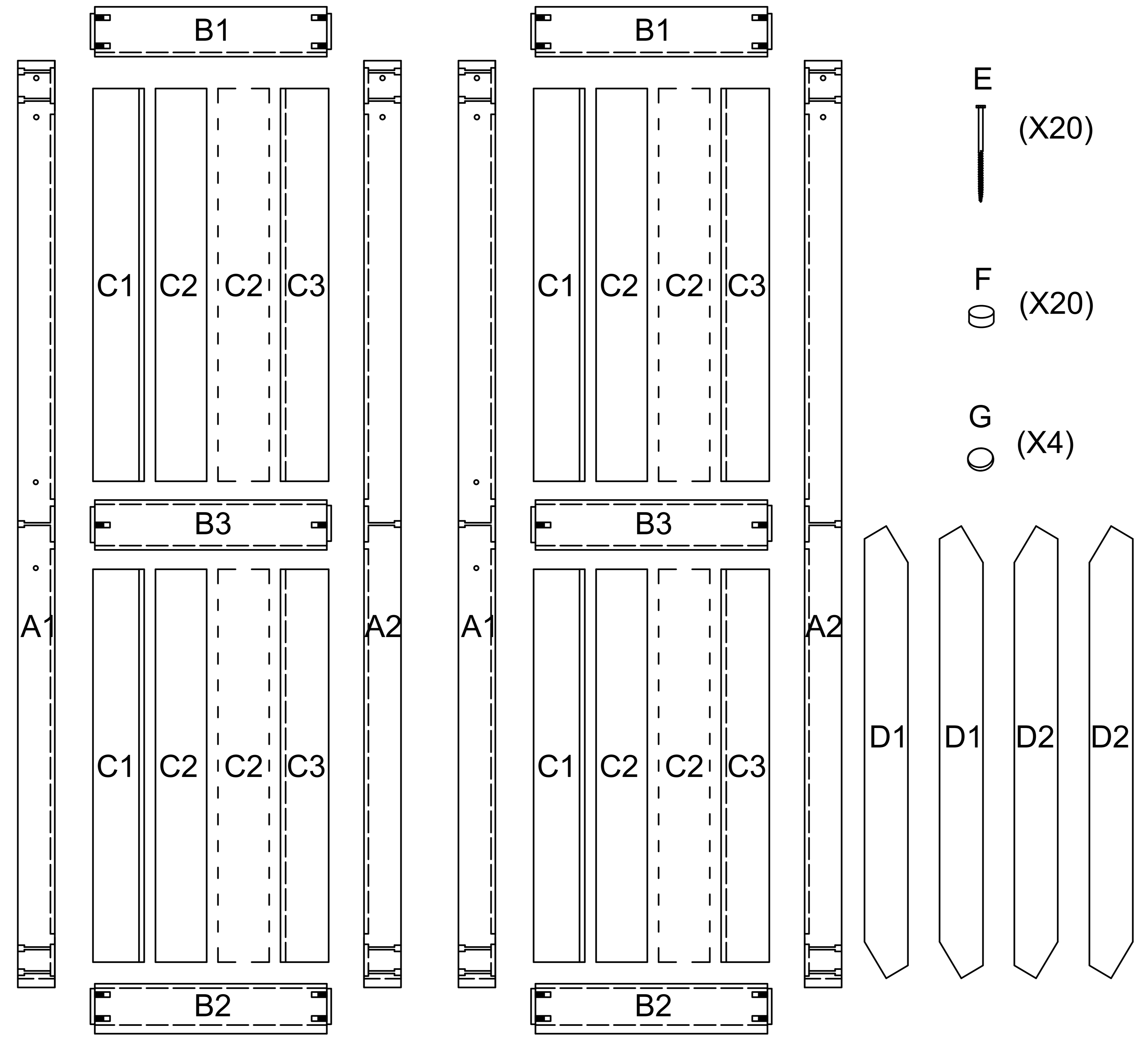
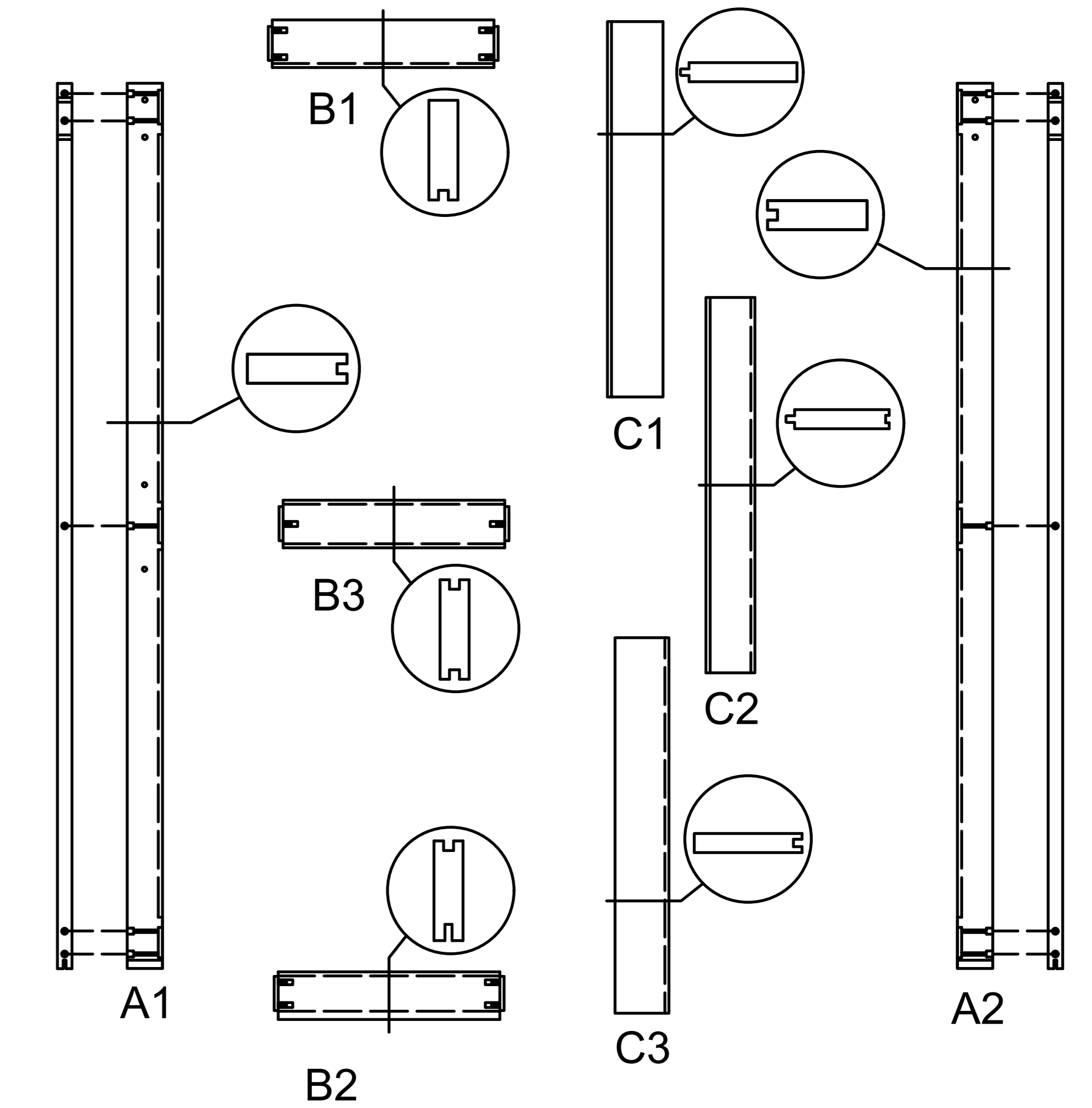
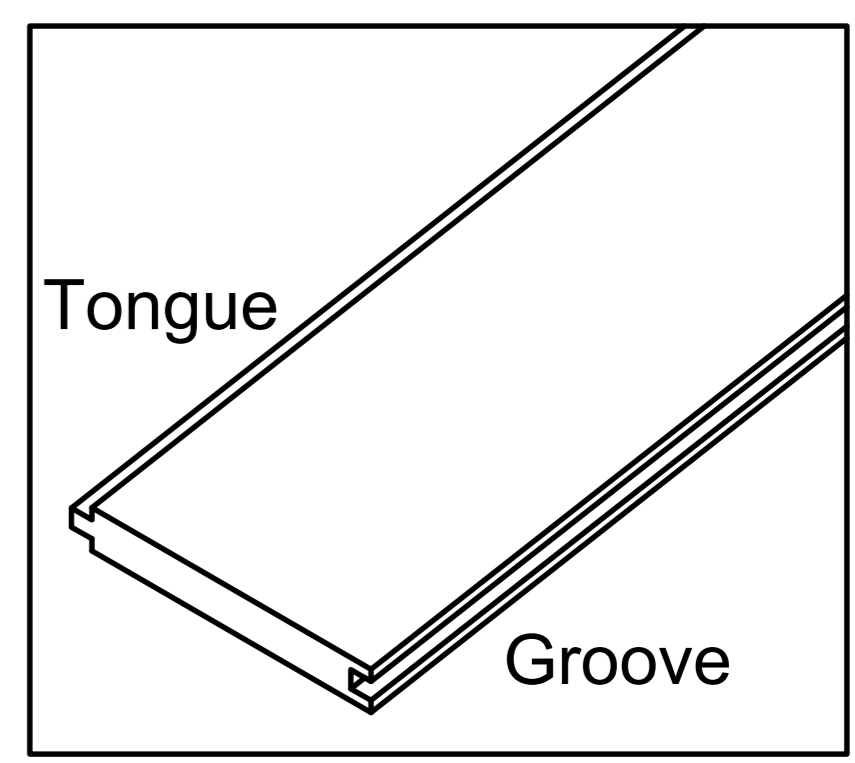


Barn Door Installation Instruction

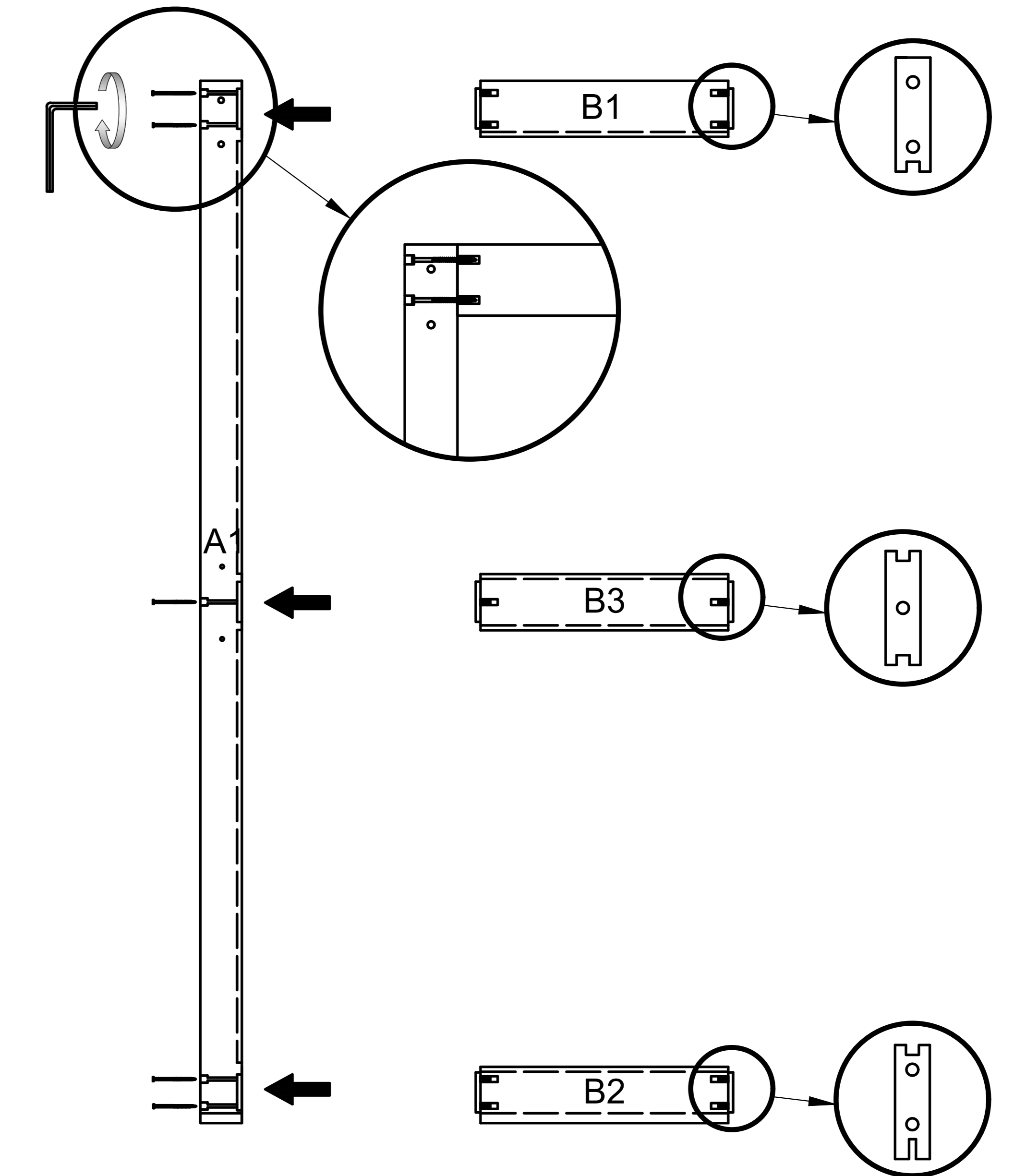
PARTS	QTY
A1 Left Side Stile	2
A2 Right Side Stile	2
B1 Top Rail	2
B2 Bottom Rail	2
B3 Middle Rail	2
C1 Left Side Slat	4
C2 Middle Slat	Varies by size
C3 Right Side Slat	4
D1 Diagonal Slat	4
D2 Diagonal Slat	4
E Screws	20
F Plastic Plugs	20
G Door Bumper	4



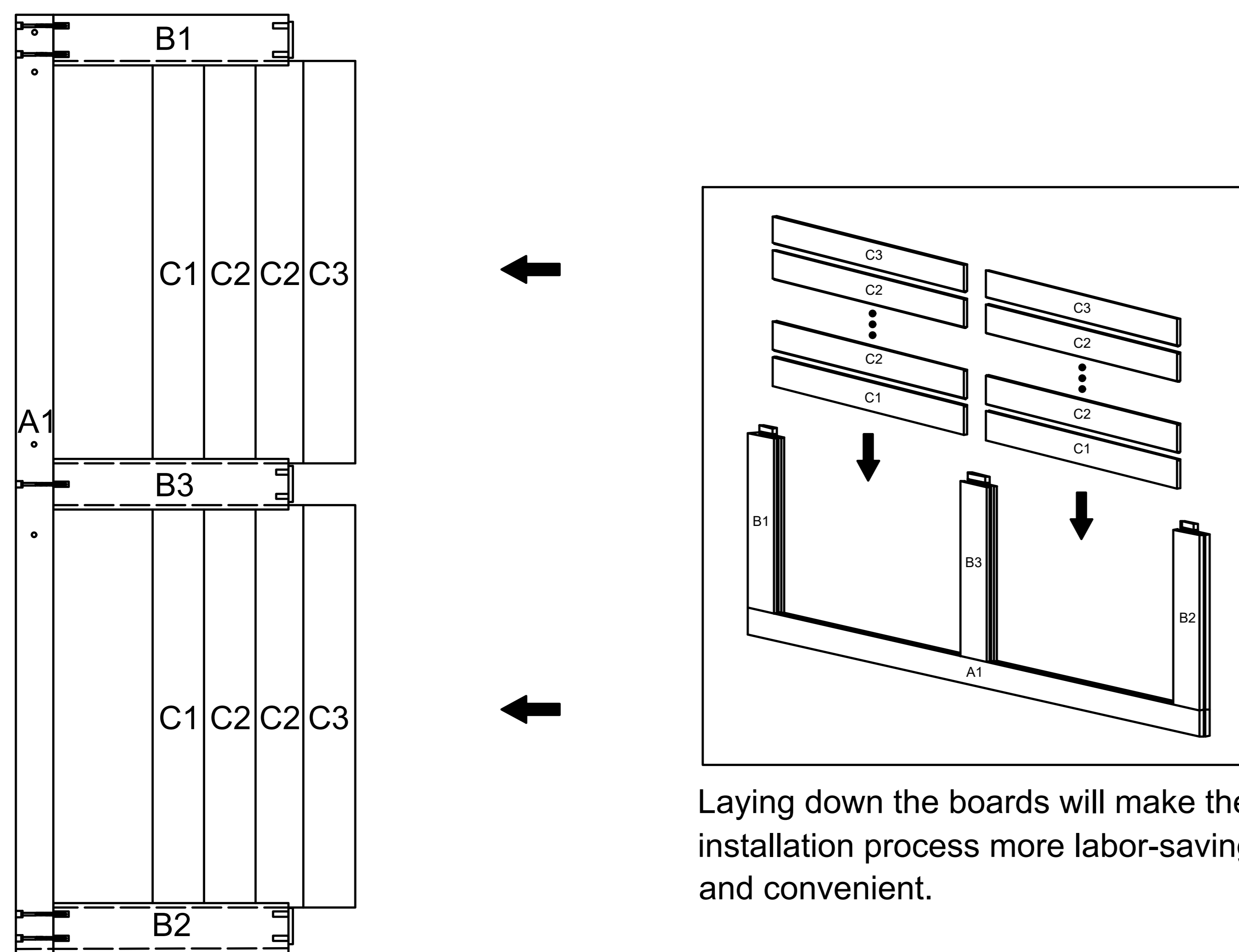
Tongue refers to the ridge extending beyond the the main portion of the slat or stile.
Groove refers to the slot cut in the other side of the slat or stile.



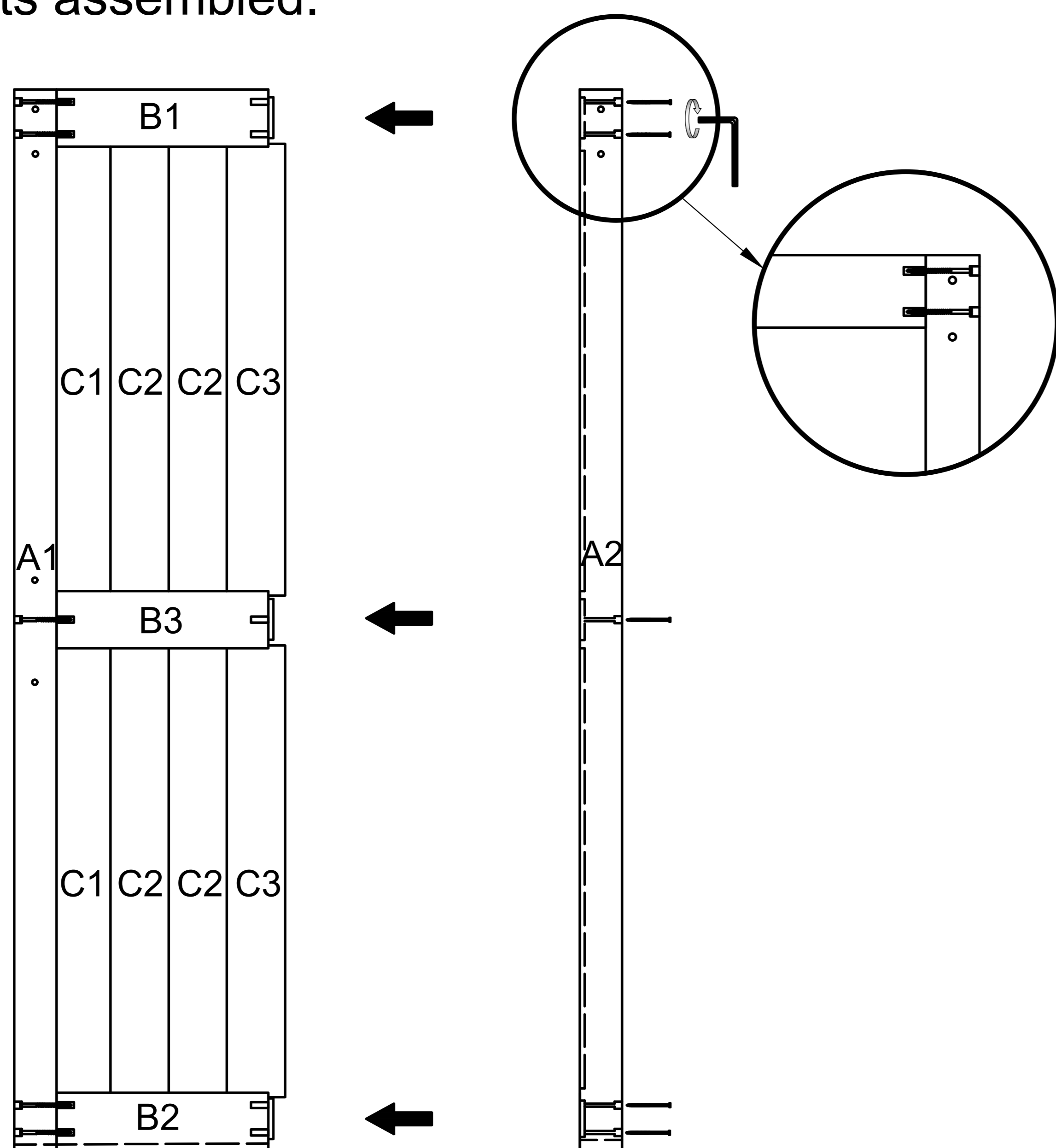
1. On the flat, lay out one side stile(A1) with the groove facing to the right.
Assemble top rail(B1), middle rail(B3) and bottom rail(B2) to A1 with screws (E).



2. Assemble the left side slat(C1) with the tongue facing right.
 Lay all middle slats(C2) next to C1 with the tongue facing right.
 Lay the right side slat(C3) to the right of the last C2 with the groove facing left.

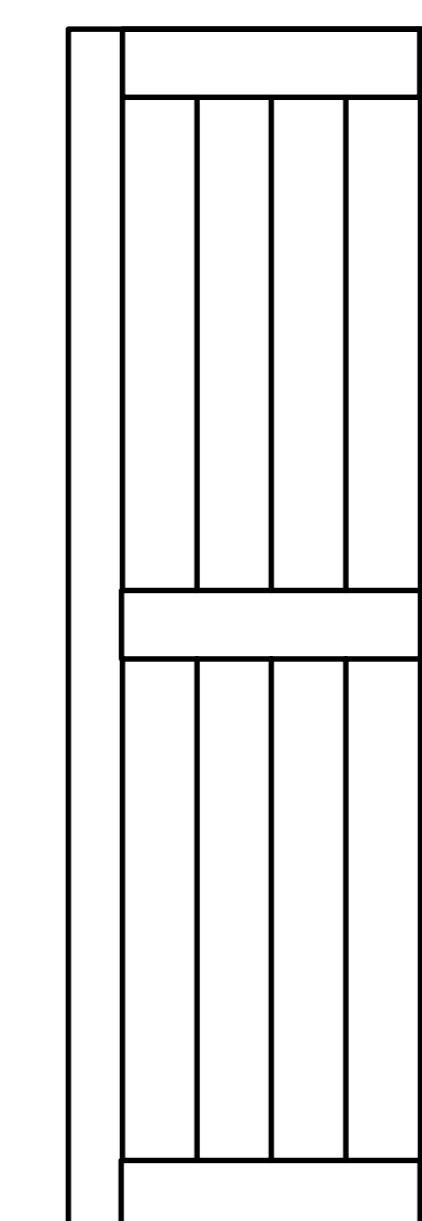


3. Place the other side stile(A2) beside the assembled slats and rails with groove facing left.
 Assemble the right side stile(A2) with screws (E) to cover the top and bottom rail and the edge of the slats assembled.

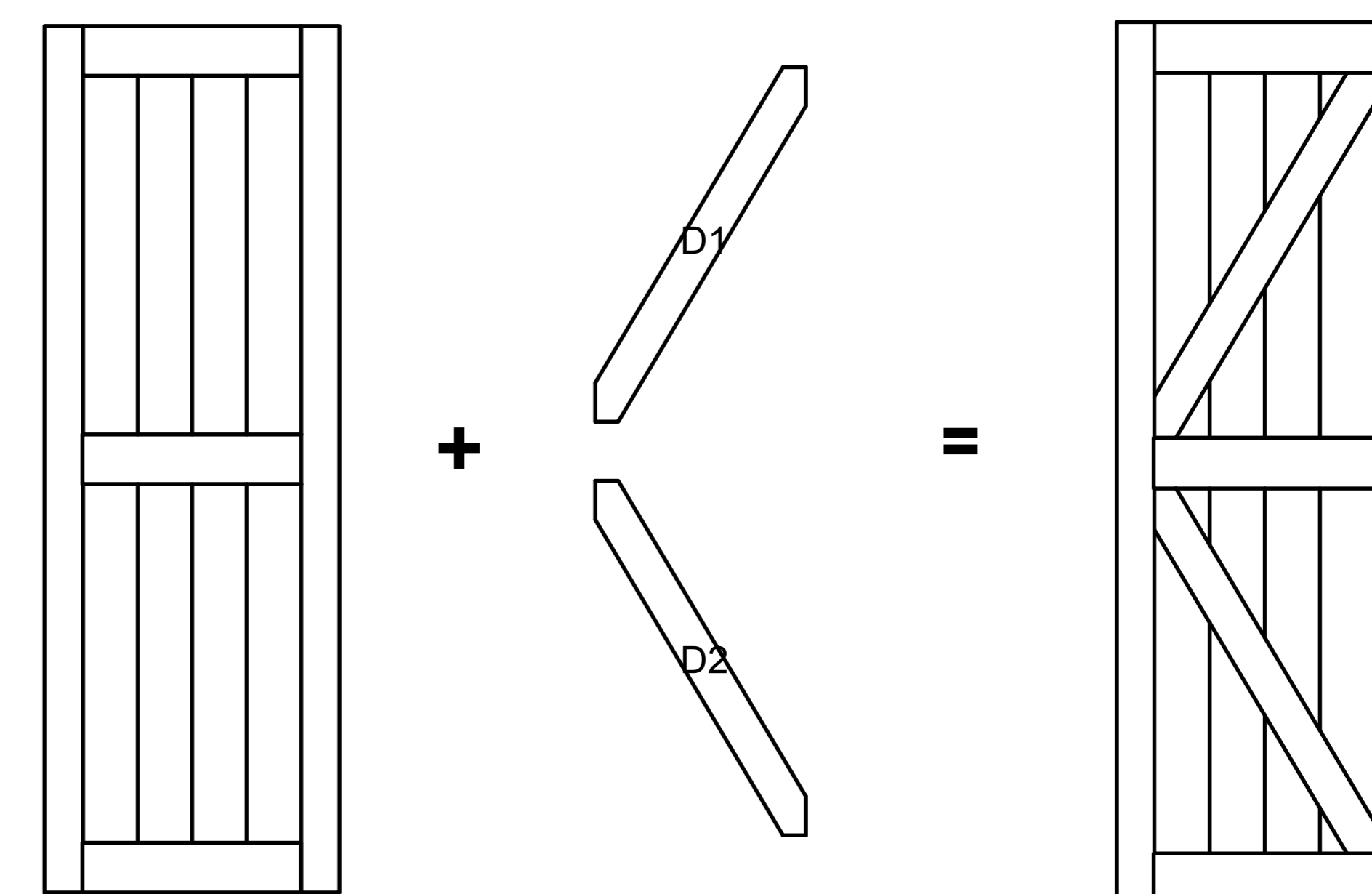


4. There are 3 choice to install the diagonal slats (D1,D2).

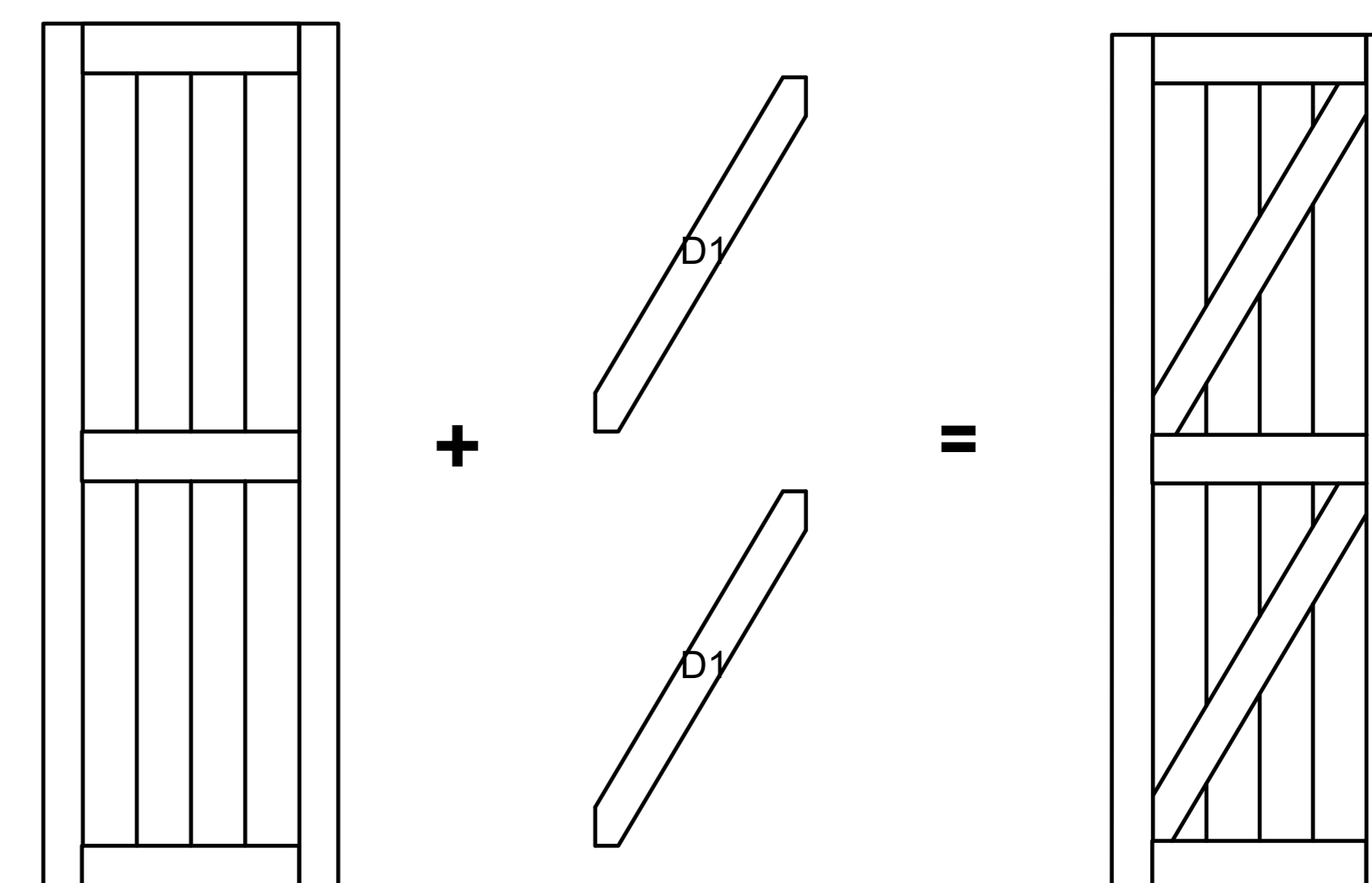
TYPE-A



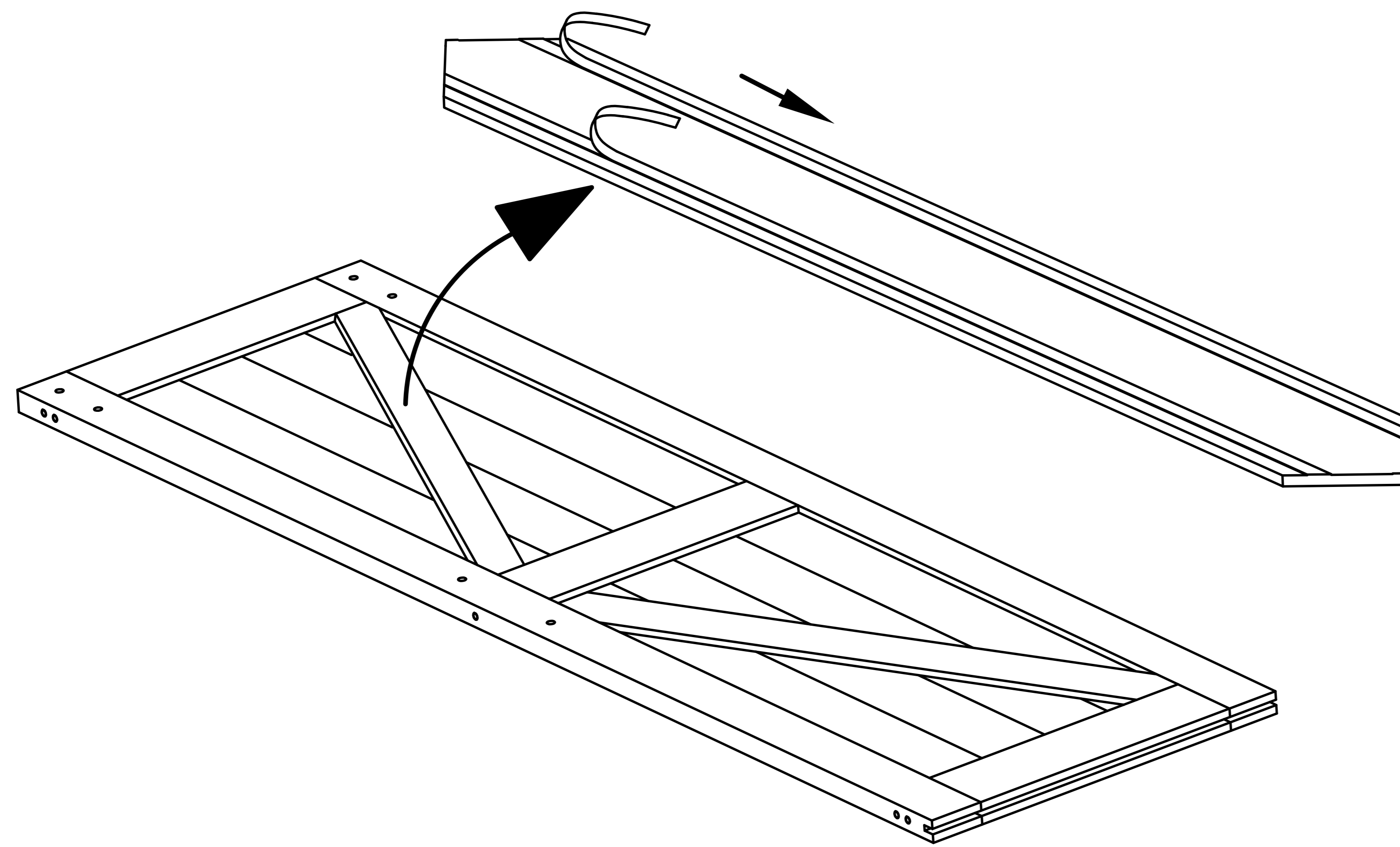
TYPE-B



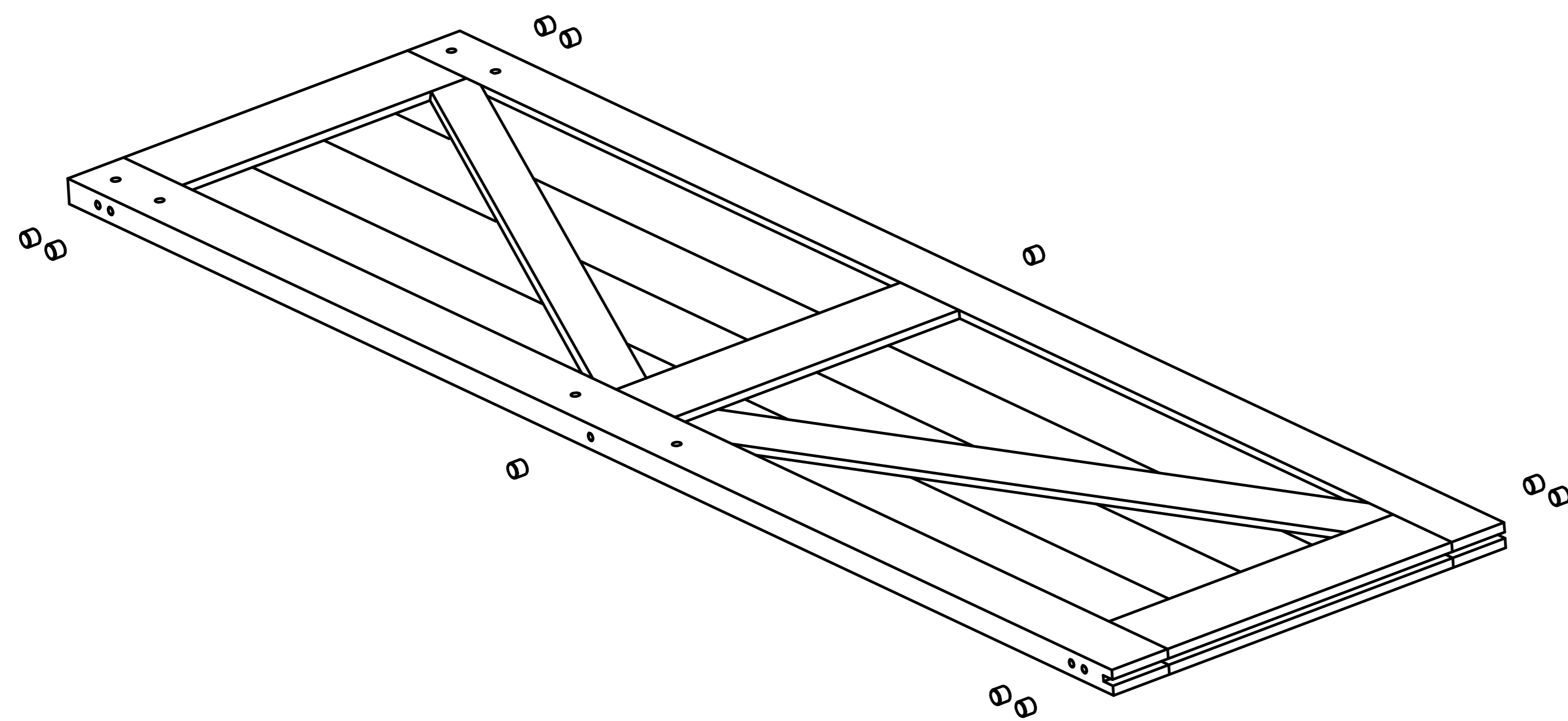
TYPE-C



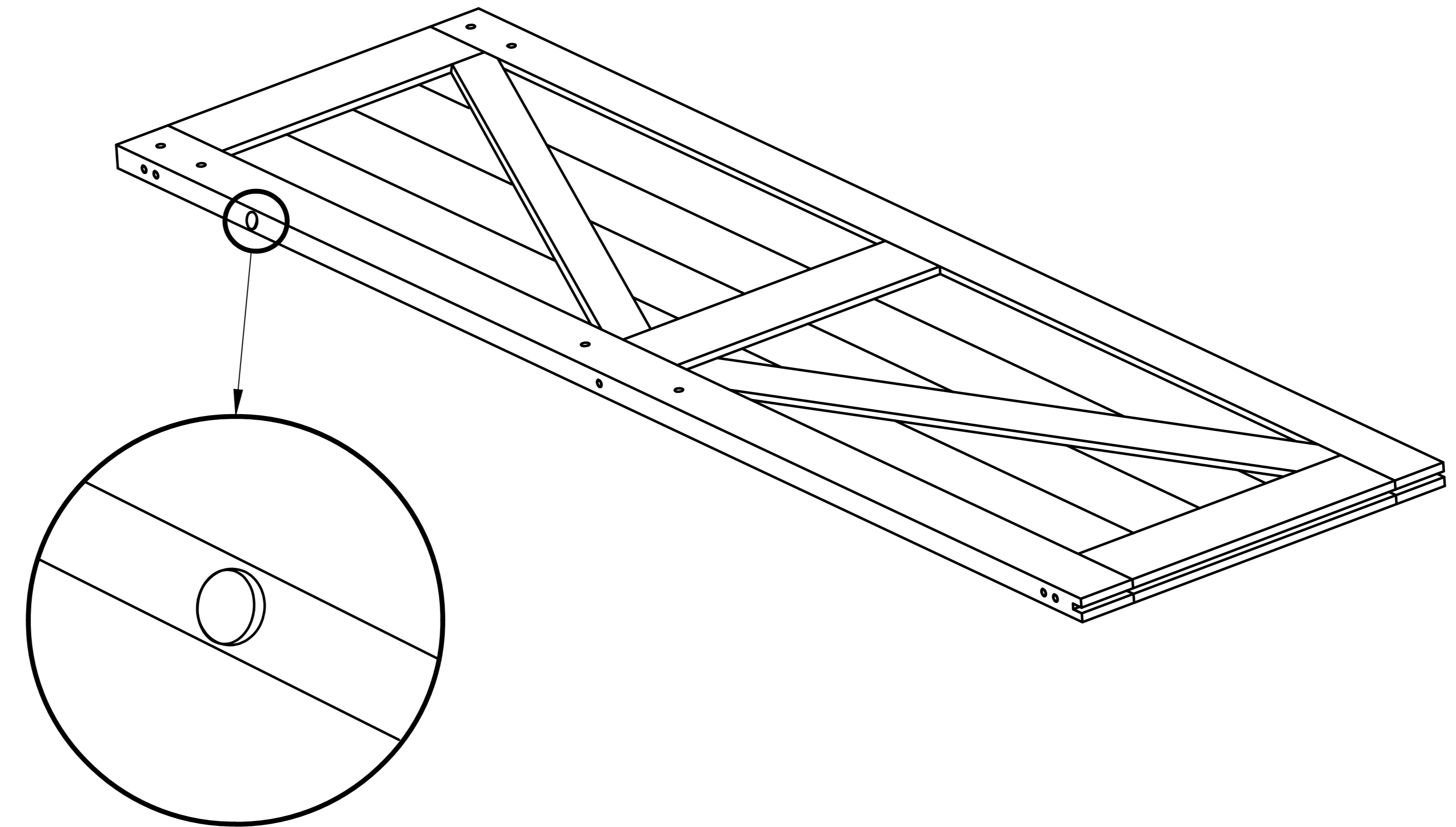
5. Install the diagonal slats (D1,D2).



6. Insert plastic plugs(F) into holes on the side stile(A1 and A2).



7. If you have two doors to install, you can stick door bumpers (G) on the sides of the two doors to prevent them from colliding when they meet at the middle of the rail.



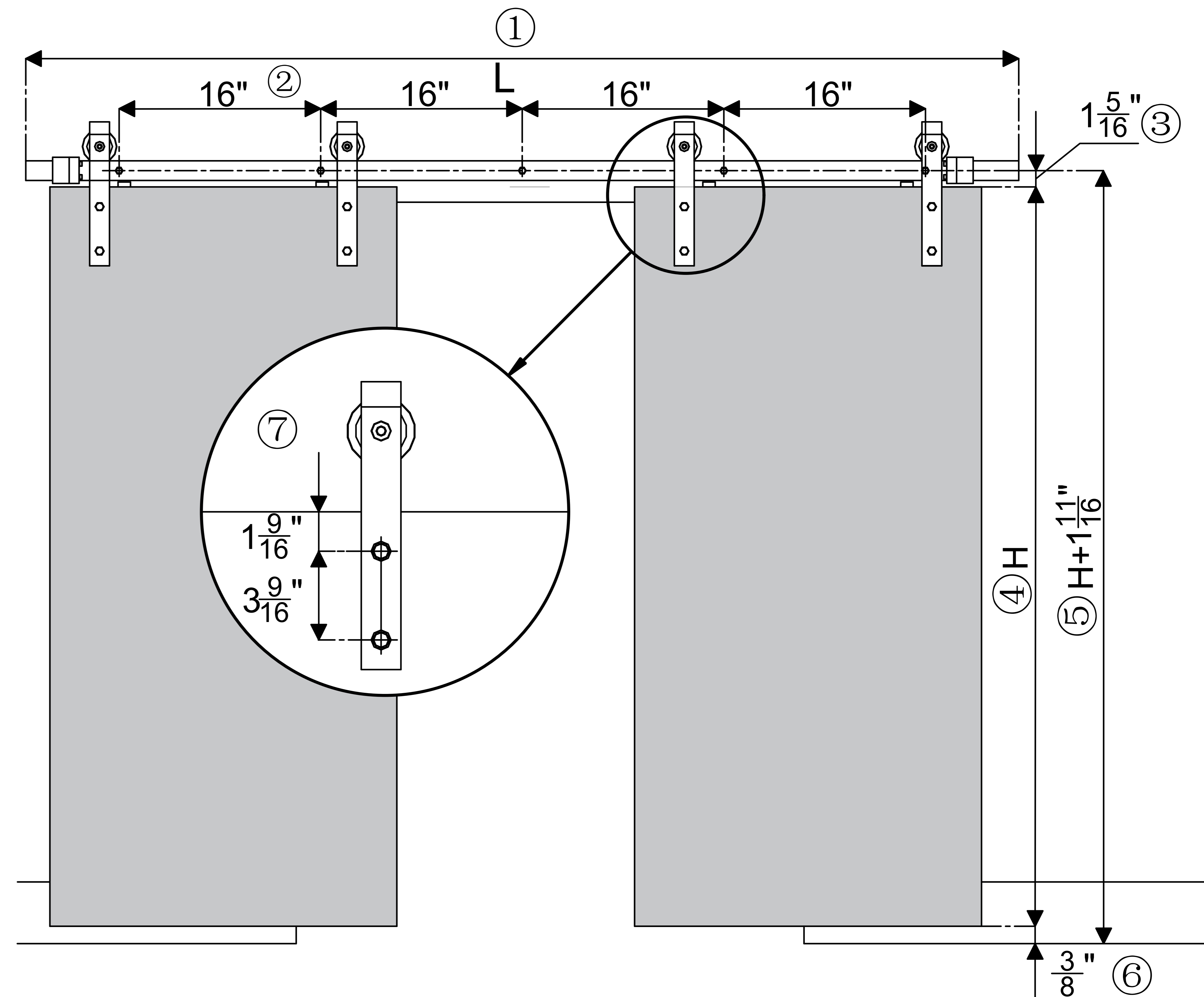
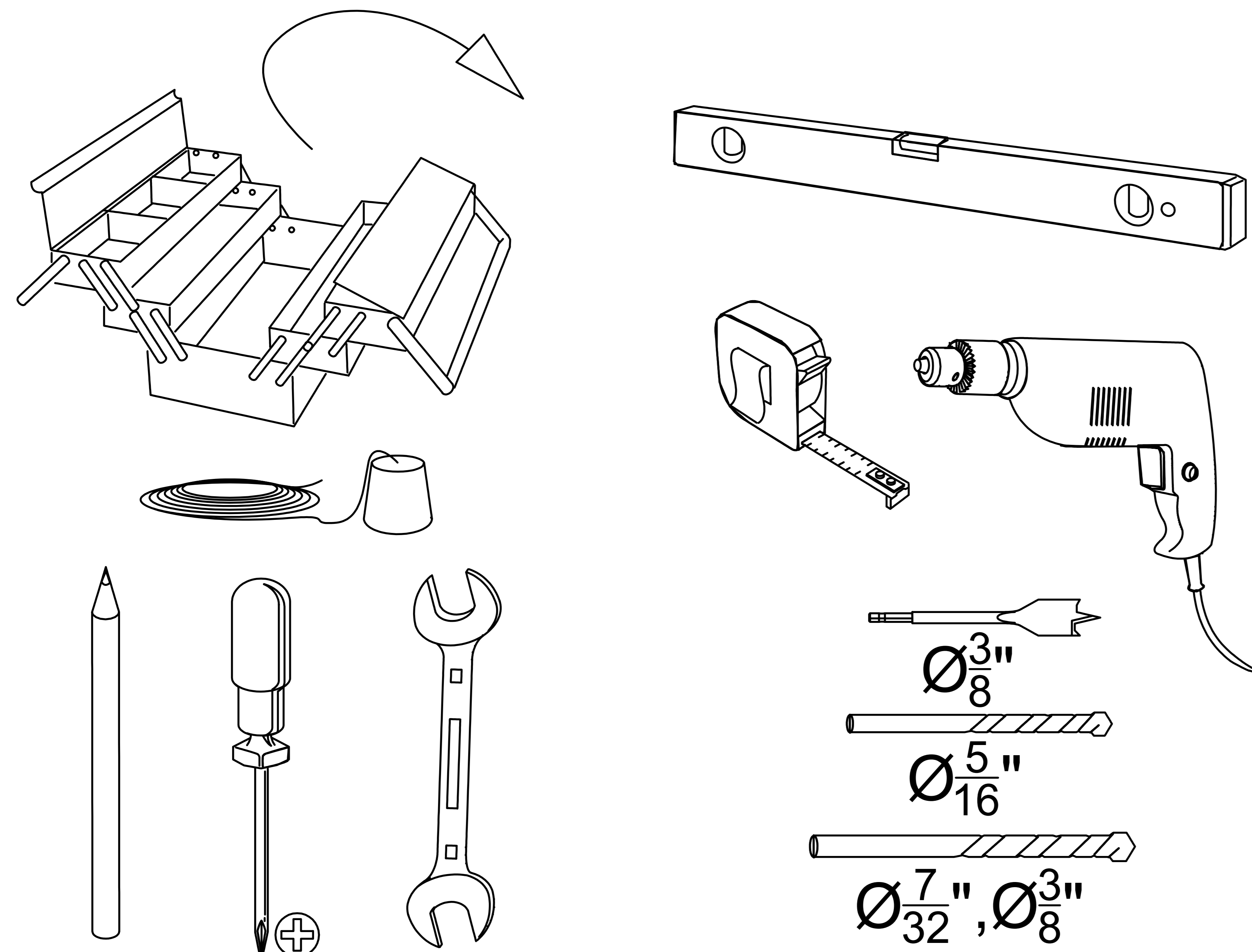
J Shape Barn Door Hardware Instruction

NOTICE Please retain these instructions for future reference.

- Do not stand on or use any part of this item as a step ladder.
- Firmly secure all bolts, screws and knobs before use.
- Reconfirm that all bolts, screws and knobs are secure every 90 days.
- Fasten screws loosely during initial assembly. Do not firmly tighten the screws until the item is completely assembled.
- Do not use or store this item in the proximity of open flame or combustible chemicals.
- Be aware that some parts are heavy and have sharp edges.
- If any parts are missing, broken, damaged, or worn, please contact us for assistance.
- Do not use this item in a way inconsistent with the manufacturer's instructions as this could void the product warranty.

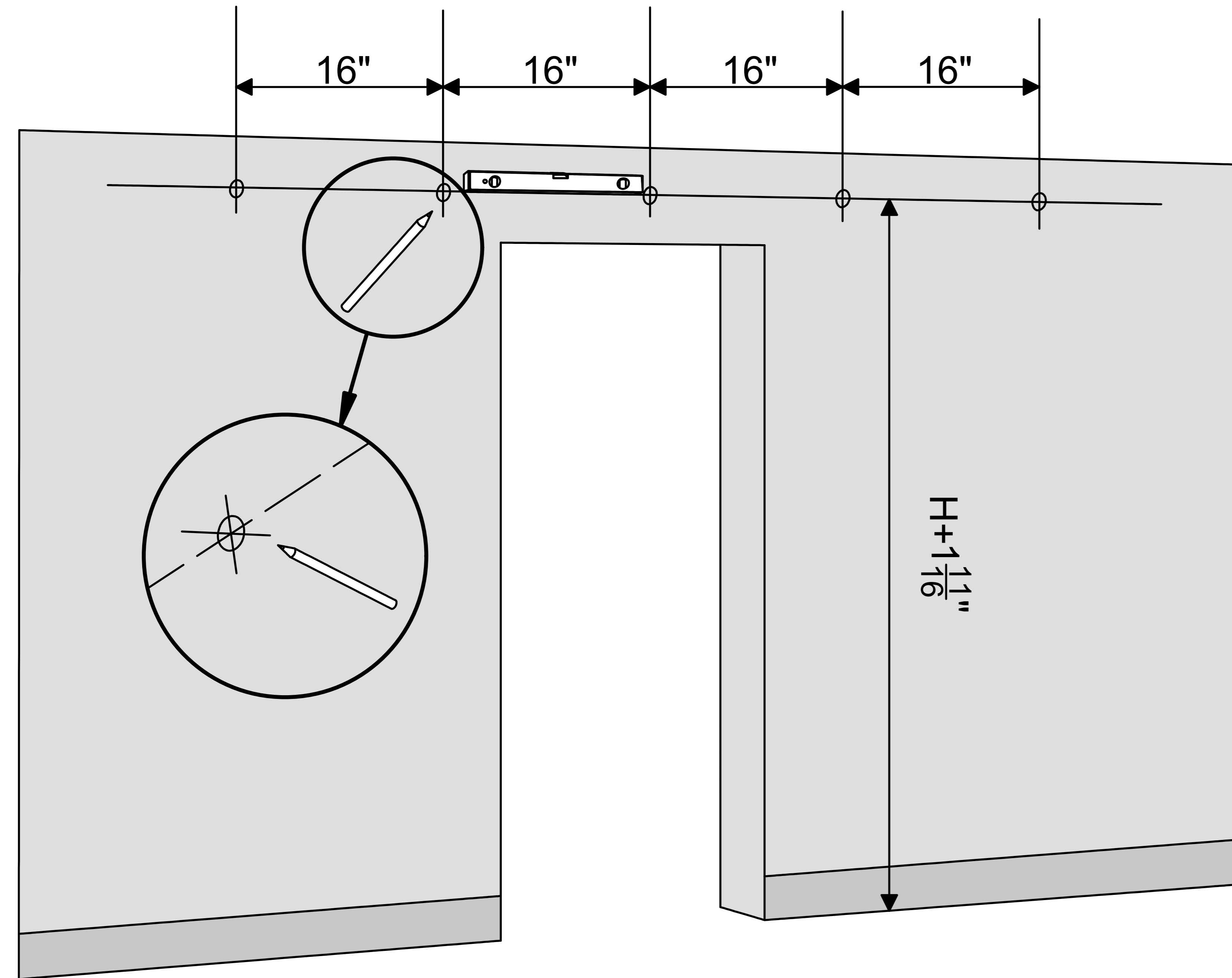
Measurements

- ① Length of rail L. Subject to the kit you purchased.
- ② The spacing between the pre-drilled holes is 16".
- ③ The distance from the top of the door panel to the vertical height of pre-drilled hole is $1\frac{5}{16}$ ".
- ④ **Door height H.**
- ⑤ **The vertical height of the rail is the door height H + $1\frac{11}{16}$ ".**
- ⑥ The clearance between the vertical height of door panel and the floor is $\frac{3}{8}$ ".
- ⑦ Drill two holes in the door panel for mounting the wheel. The distance from top of the door to the first hole is $1\frac{9}{16}$ " and the distance between the two holes is $3\frac{9}{16}$ ".



Step-1

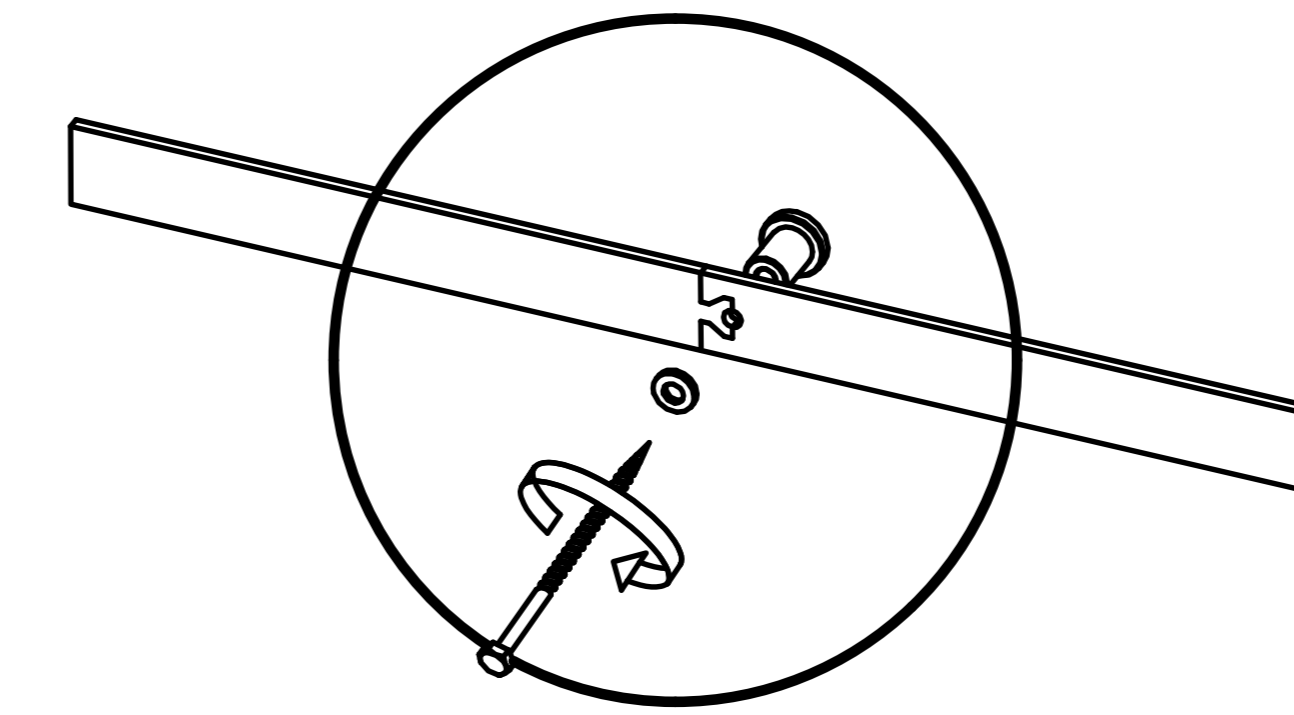
Place the track $H+1\frac{11}{16}$ " above the floor and mark the position of the spacer holes.



If the rail is too long, the whole rail will be combined with pieces.

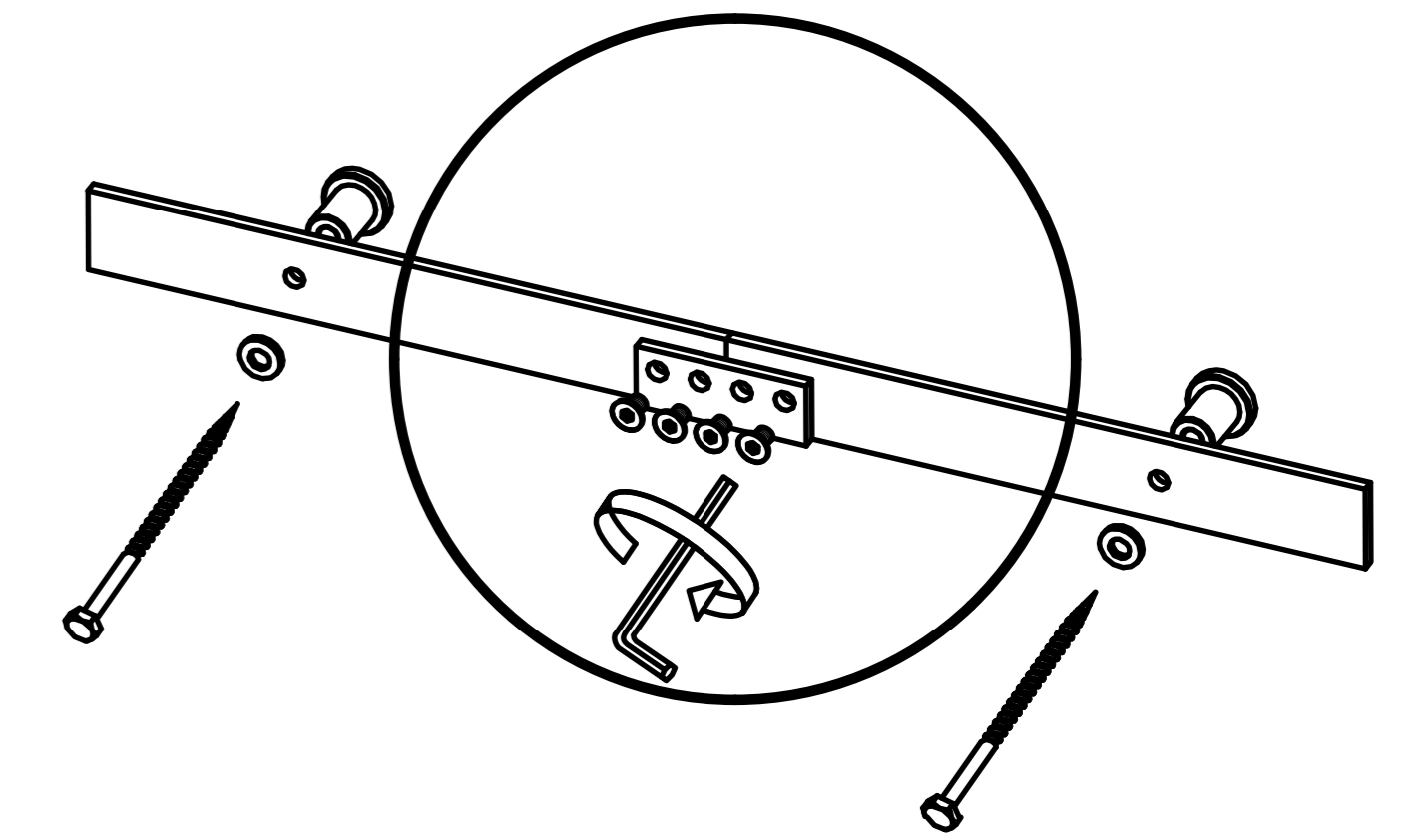
TYPE-A

The joint will be connected by a rail spacer and sawtooth shape rail end.



TYPE-B

The joint will be connected by a rail connector.

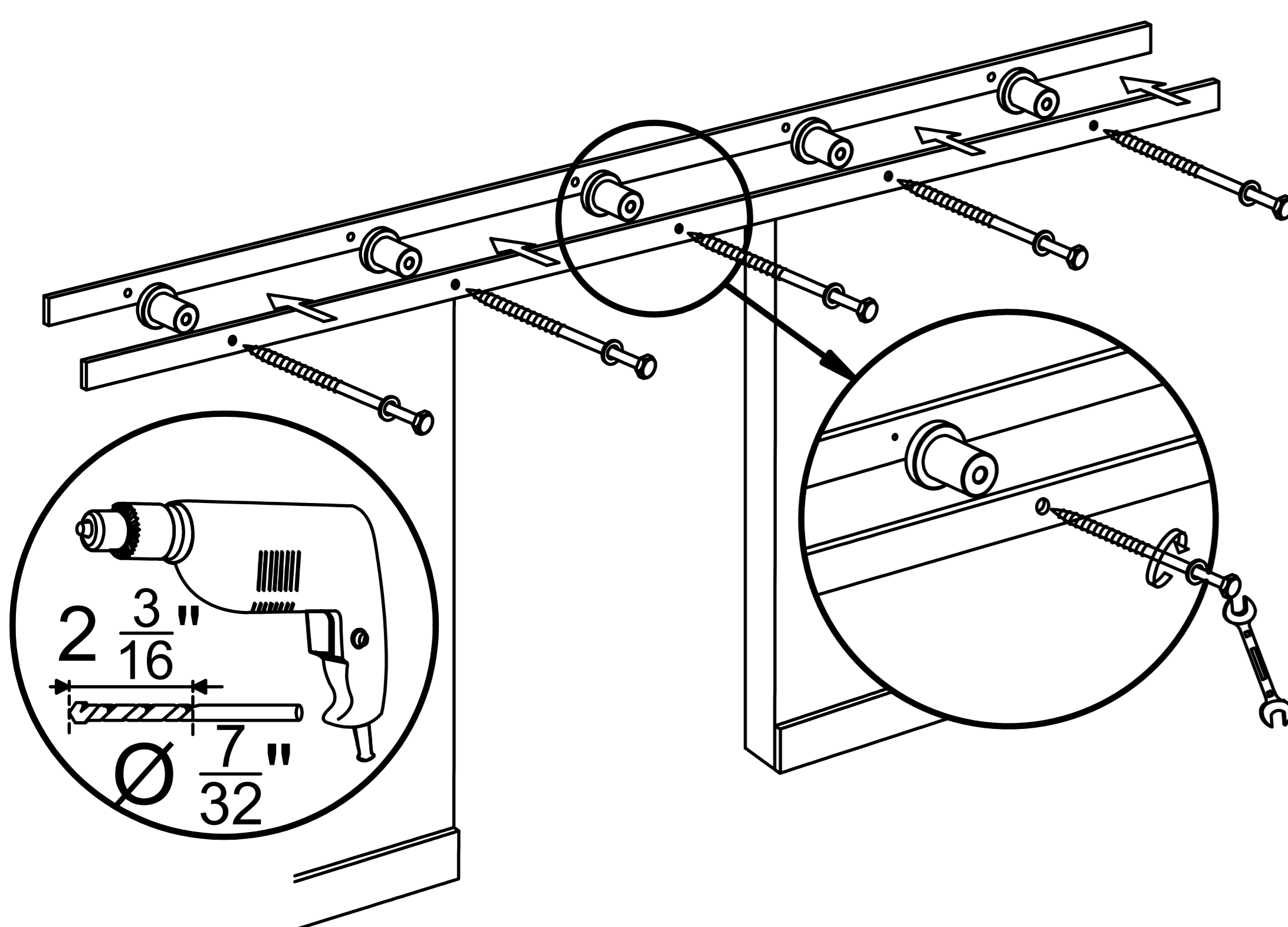


Step-2

We provide 2 kinds of screws for you to install rail on concrete wall or drywall.

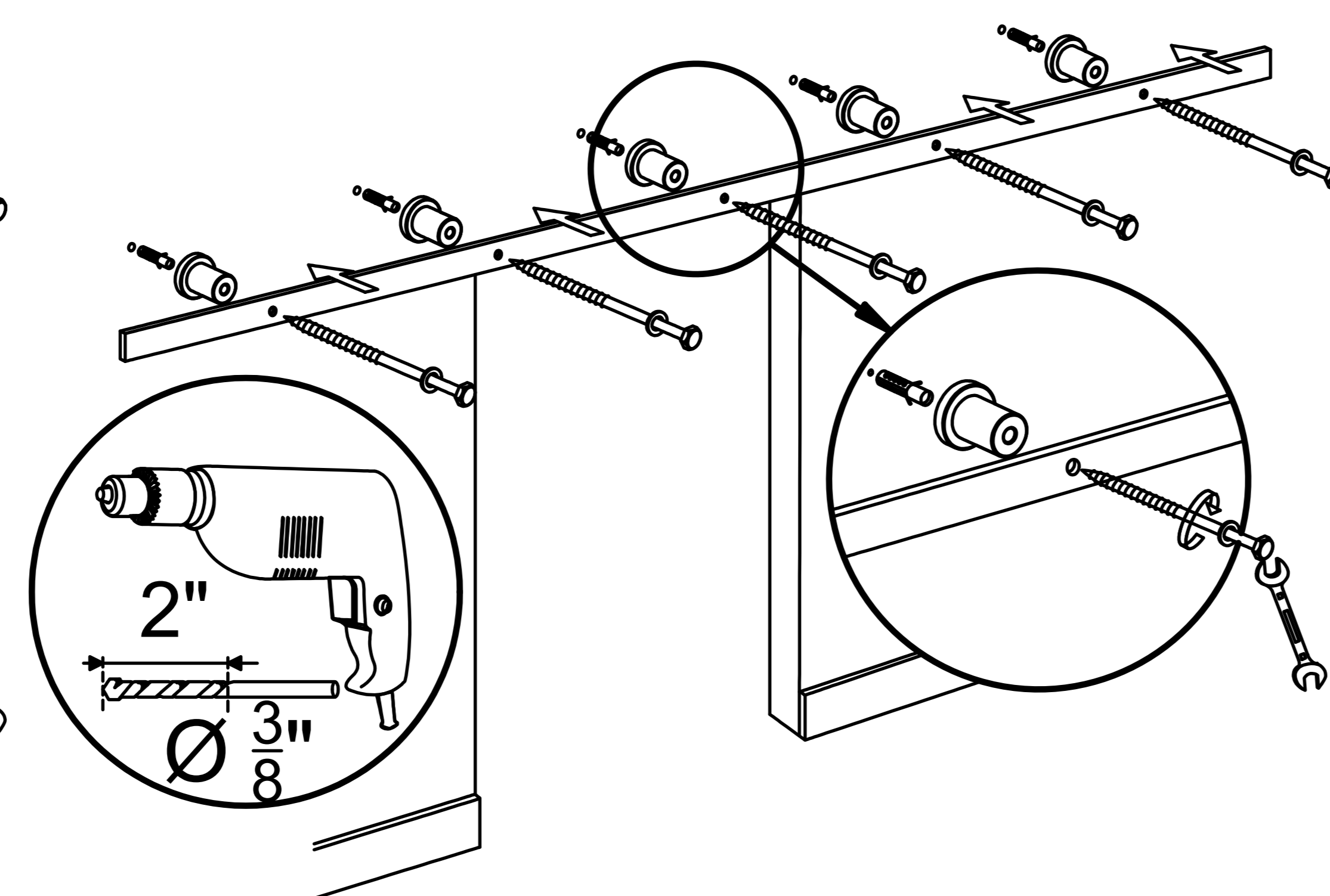
① Drywall Installation

Install the lag bolt to wood stud or head board directly.



② Concrete wall Installation

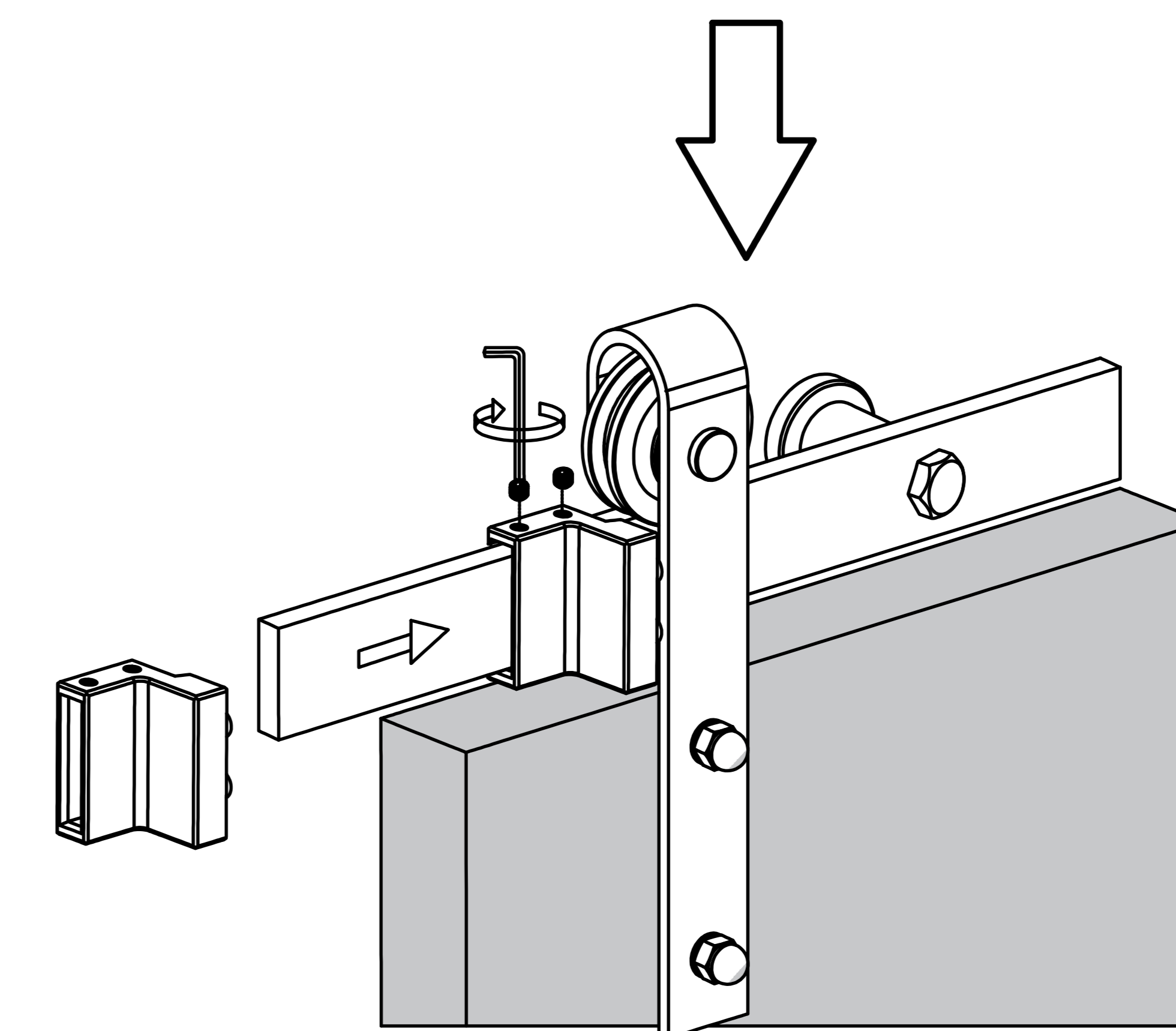
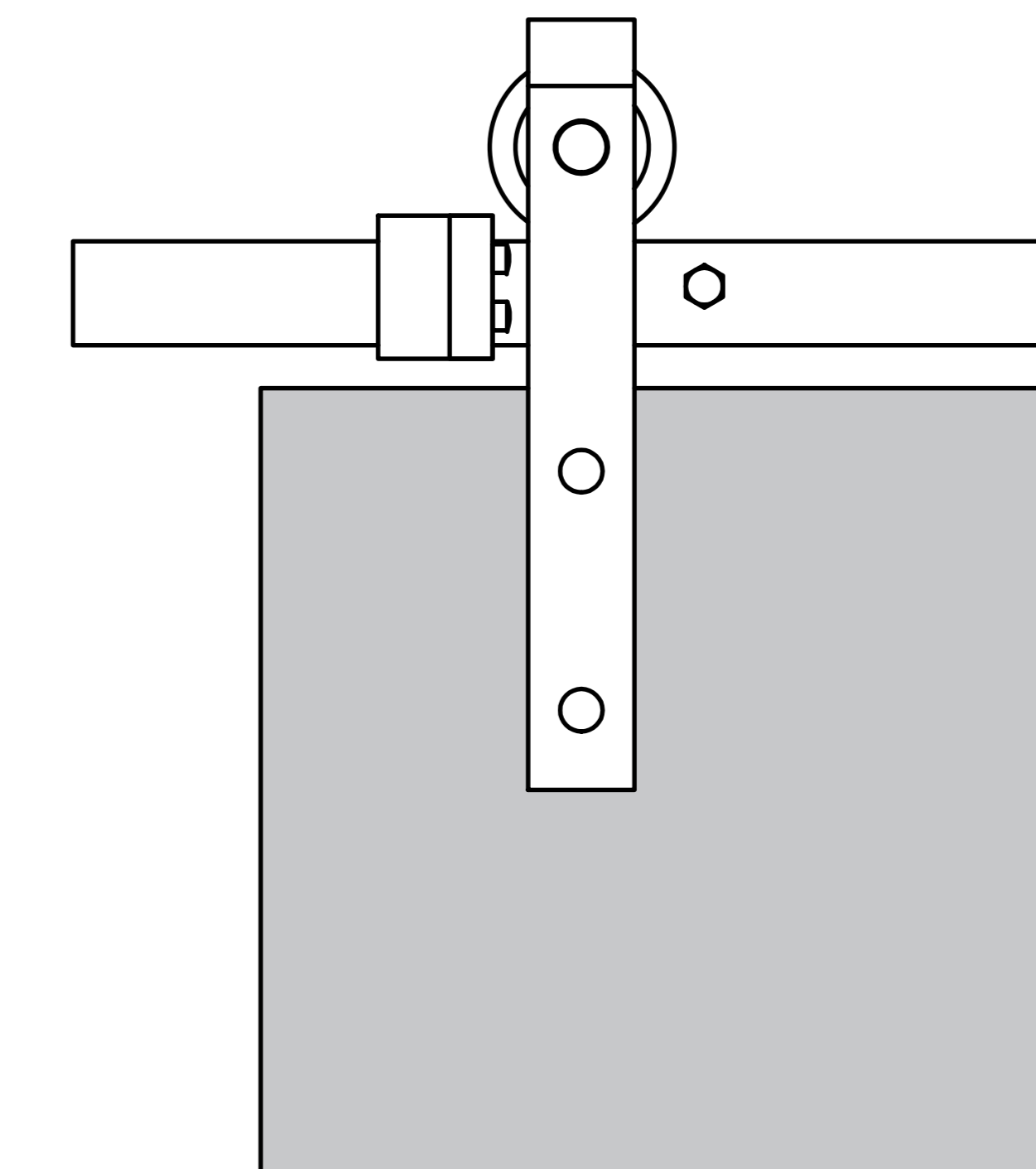
Install the anchor to holes on the wall first, then install lag bolt to anchor.



Step-3

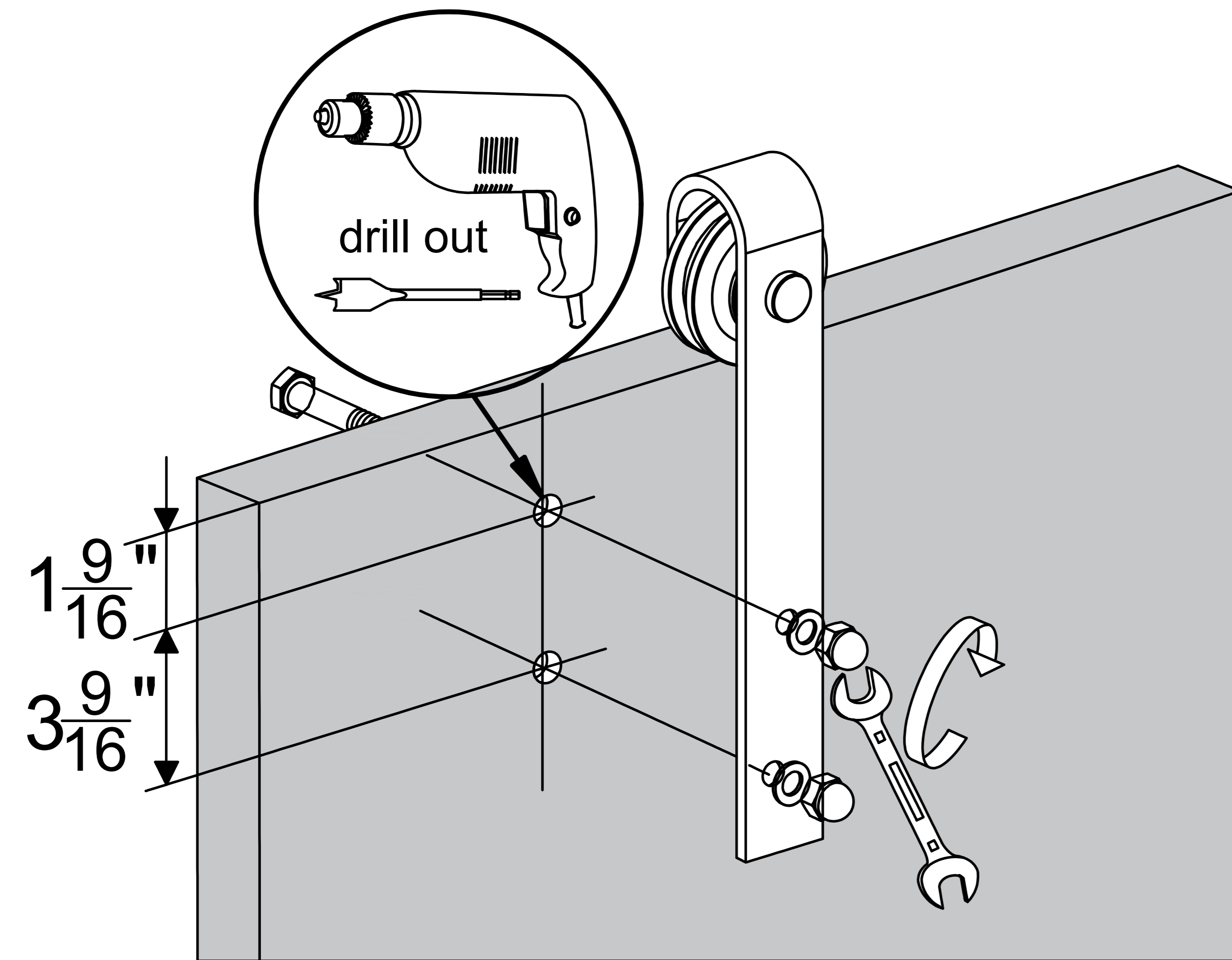
Insert door stoppers into rail.

Door stopper is used to prevent the hangers sliding off the rail.



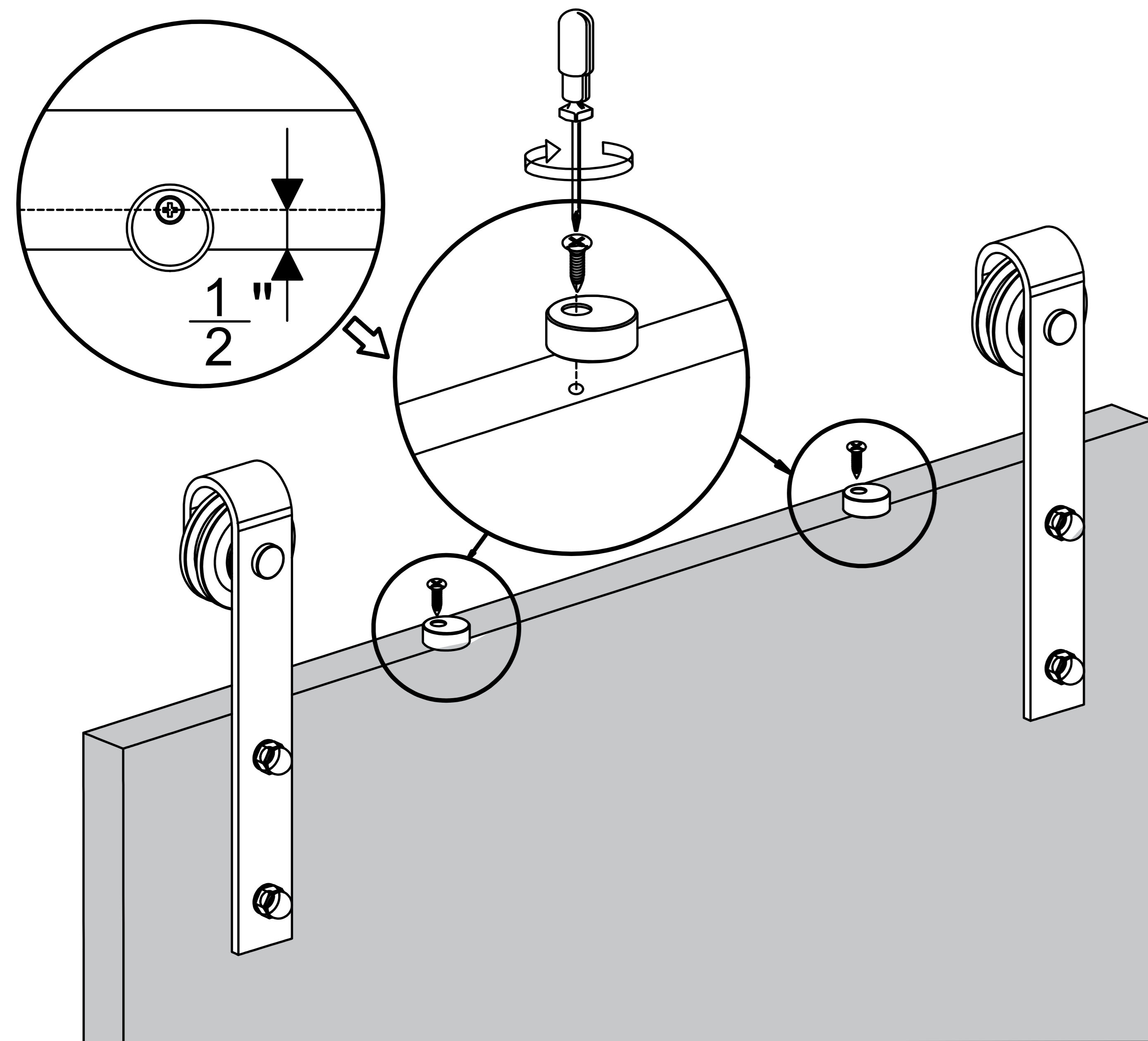
Step-4

Install the hangers into the door according to the measurement in the pictures below.



Step-5

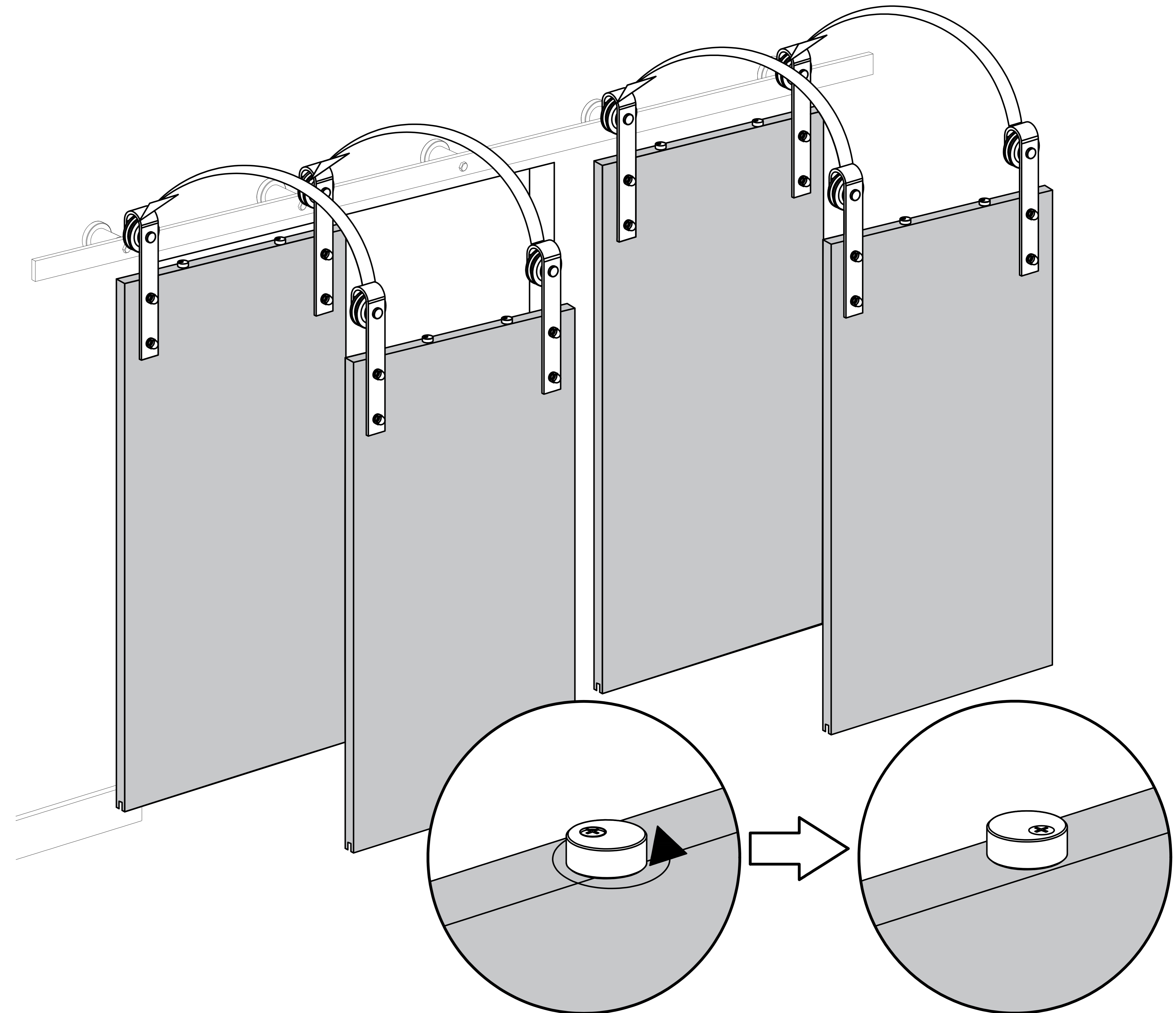
The anti jump pads are used to prevent the door from lifted off the rail when sliding the door. Please drill the holes $\frac{1}{2}$ " away from the edge of the door. Then install the anti jump pads on the top of the door.



Step-6

Hang the door on the rail.

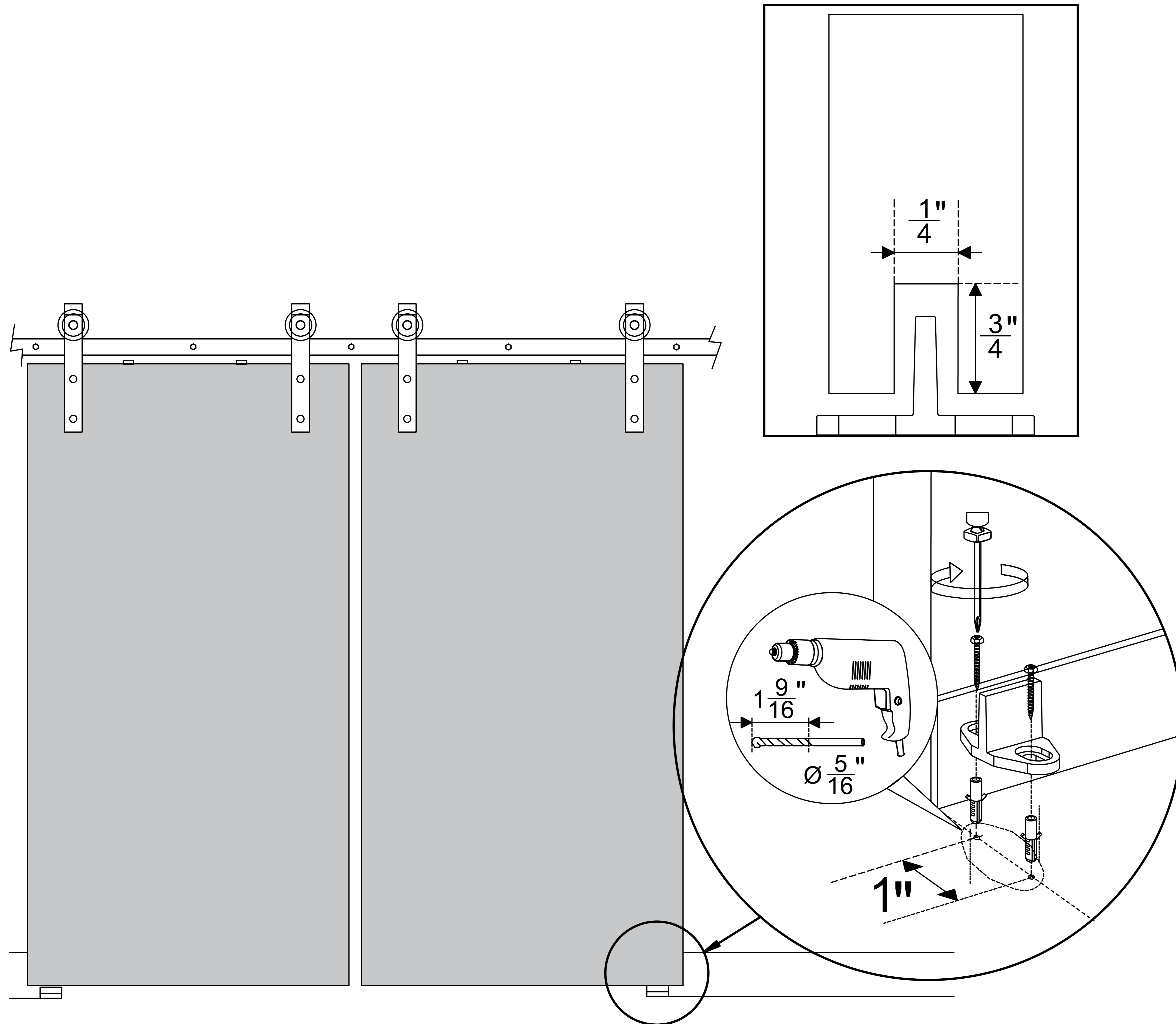
Turn the anti jump pads approximately 180 degrees so that they are stuck between the door and the rail.



Step-7

Use router to cut groove with a width of $\frac{1}{4}$ " and a height of $\frac{3}{4}$ ".

Floor guide can keep your door stable and prevent the door bottom swinging when use.



Step-8

Install the handle.

