

LOW BOOKCASE

1500 x 400 x 710 mmH

ASSEMBLY INSTRUCTIONS

 10 MIN  x2



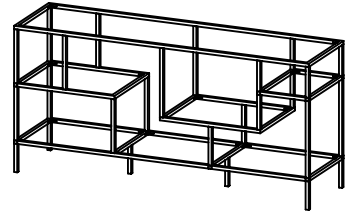
A x 1pc



B x 5pcs

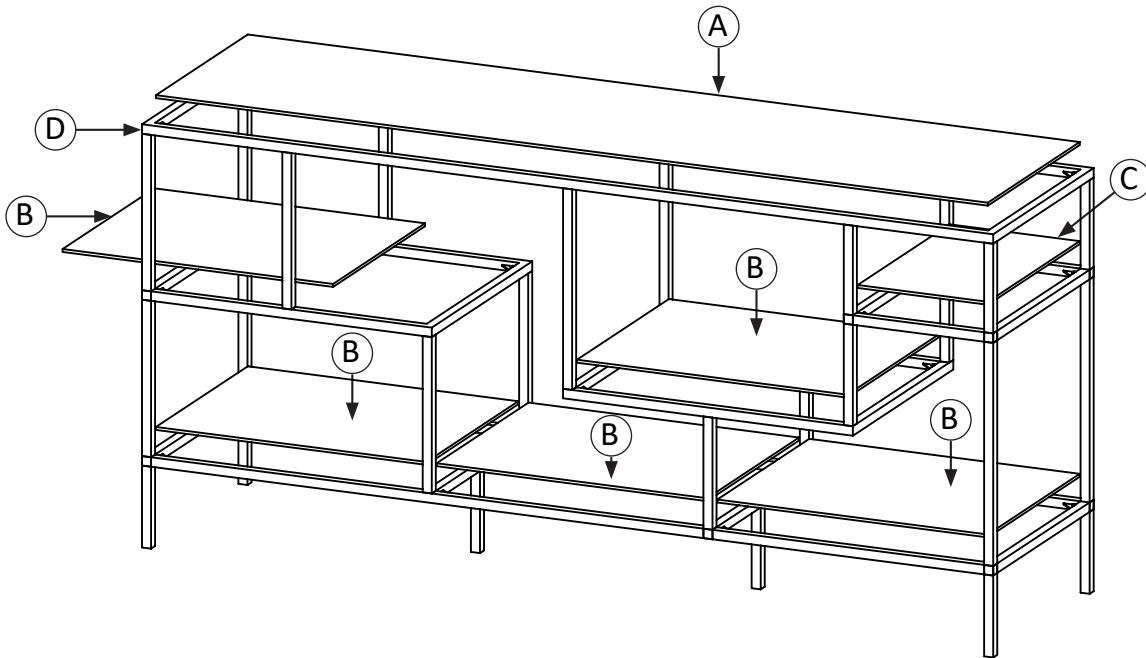


C x 1pc



D x 1pc

Step 1



Step 2

