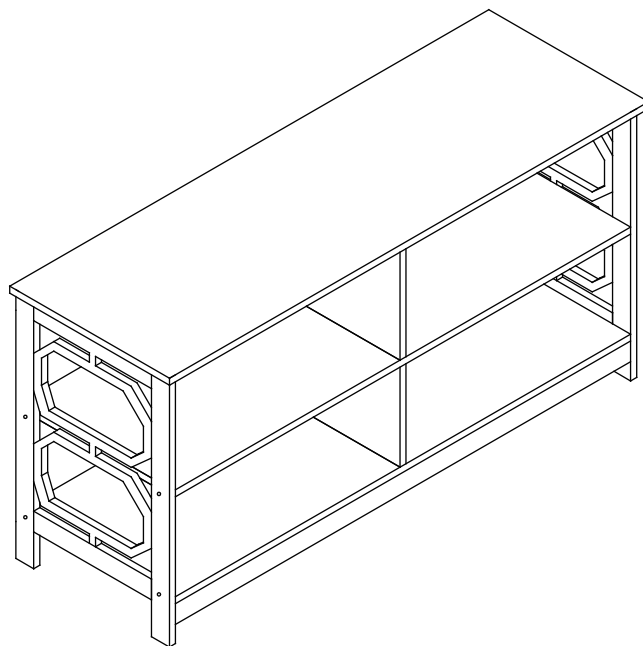


TV Stand

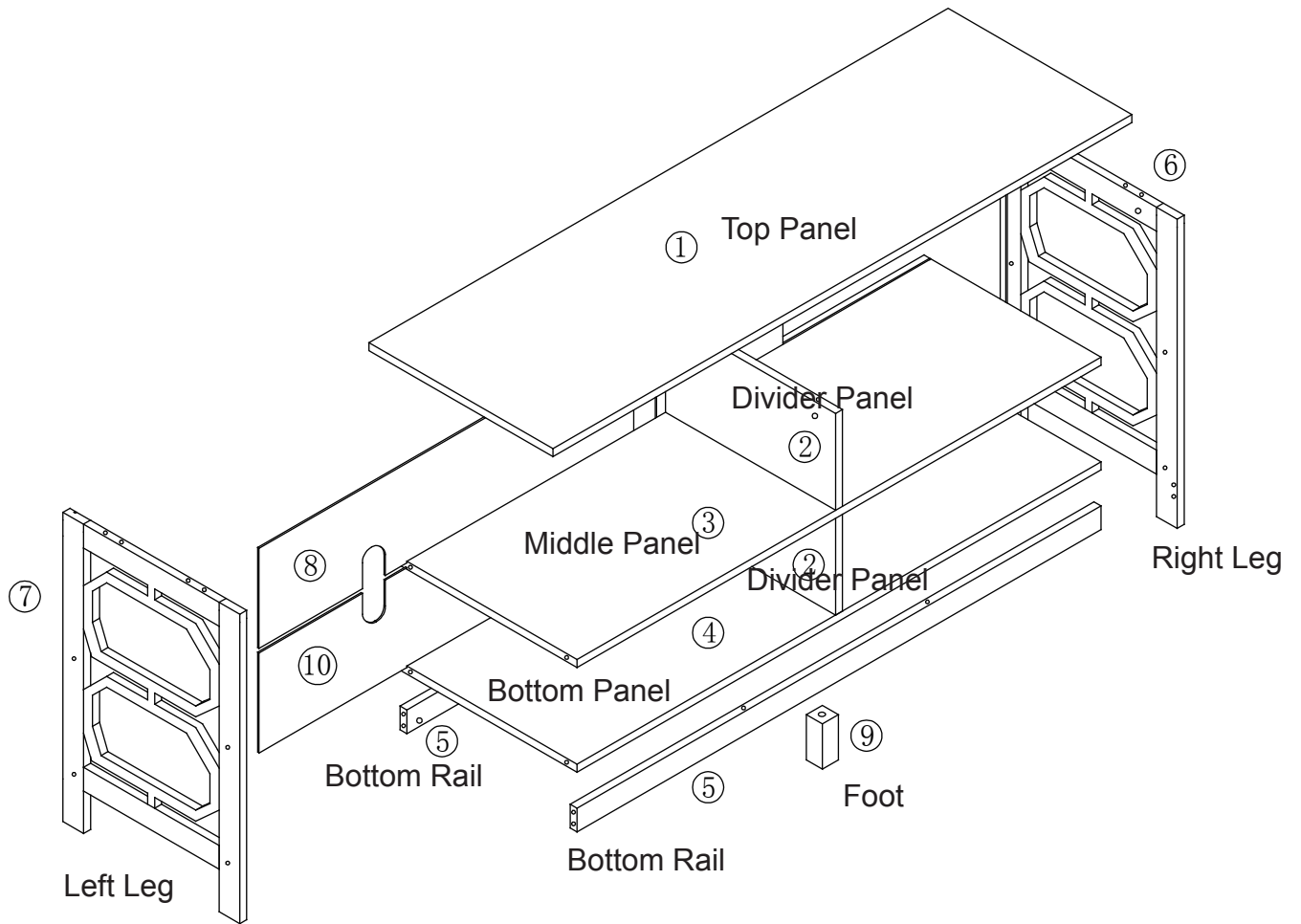


Assembly instructions

We have designed our furniture with you, the customer in mind. Our clear, easy to follow step by step instructions will guide you through the project from start to finish.

Feel confident that this will be a fun and rewarding project. The final product will be a quality piece of furniture that will go together smoothly and give years of enjoyment.

Special Note: We recommend the use of a hand screwdriver to avoid the stripping of screw heads.



A x16

Calm Bolt



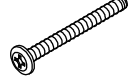
B x16

Calm Lock



C x8

Wood Dowel



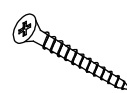
D x8

Bolt



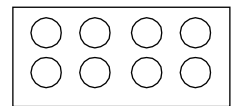
E x8

Barrel Nut



F x5

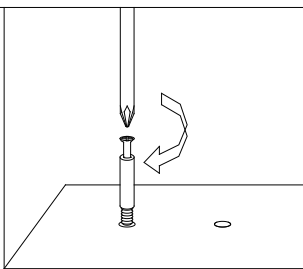
Screw



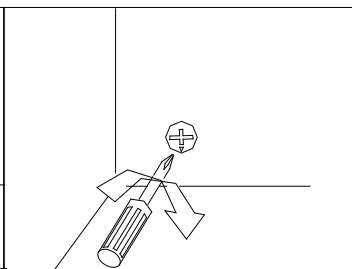
G x8

Stickers

Assembling the unit with cams and wood dowels.



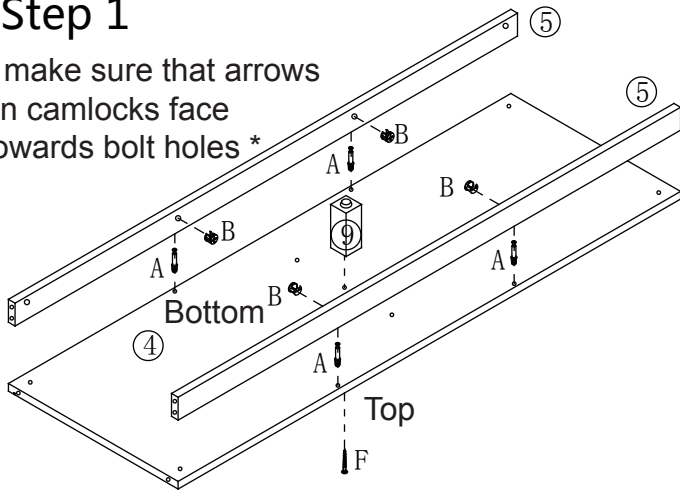
Gently screw cam bolt into the threaded anchor.



Insert cam lock with arrow pointing down. Screw the cam firmly into locked position.

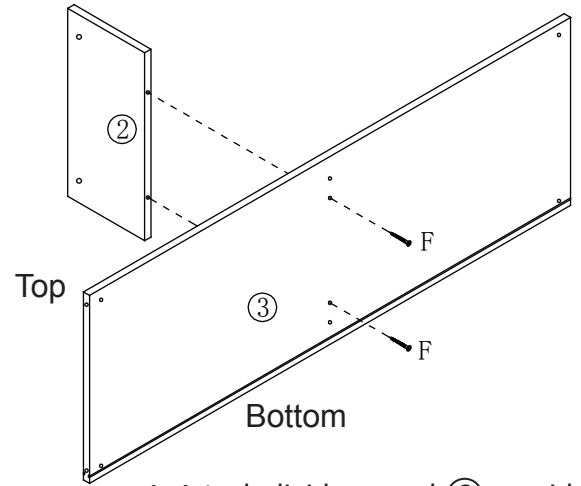
Step 1

* make sure that arrows on camlocks face towards bolt holes *



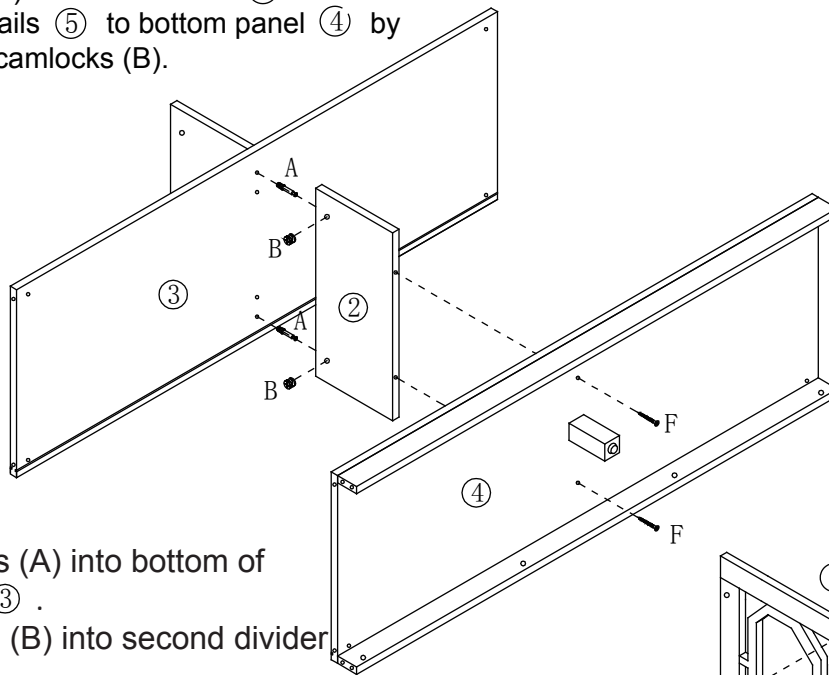
1. Attach foot to panel ④ using screw (F).
2. Screw cambolts (A) into bottom of bottom panel ④.
3. Insert camlocks (B) into bottom rails ⑤ .
4. Connect bottom rails ⑤ to bottom panel ④ by gently tightening camlocks (B).

Step 2



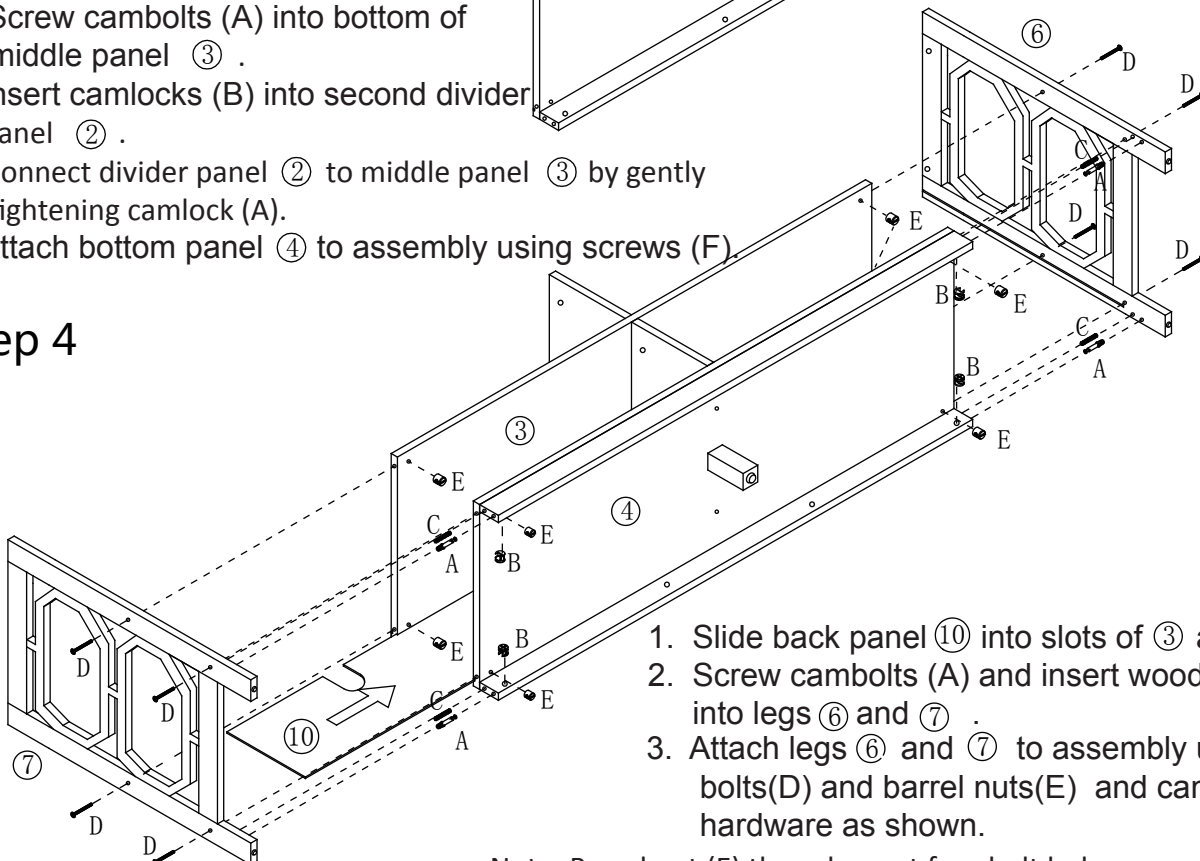
1. Attach divider panel ② to middle panel ③ using screws (F).

Step 3



1. Screw cambolts (A) into bottom of middle panel ③ .
2. Insert camlocks (B) into second divider panel ② .
3. Connect divider panel ② to middle panel ③ by gently tightening camlock (A).
4. Attach bottom panel ④ to assembly using screws (F).

Step 4

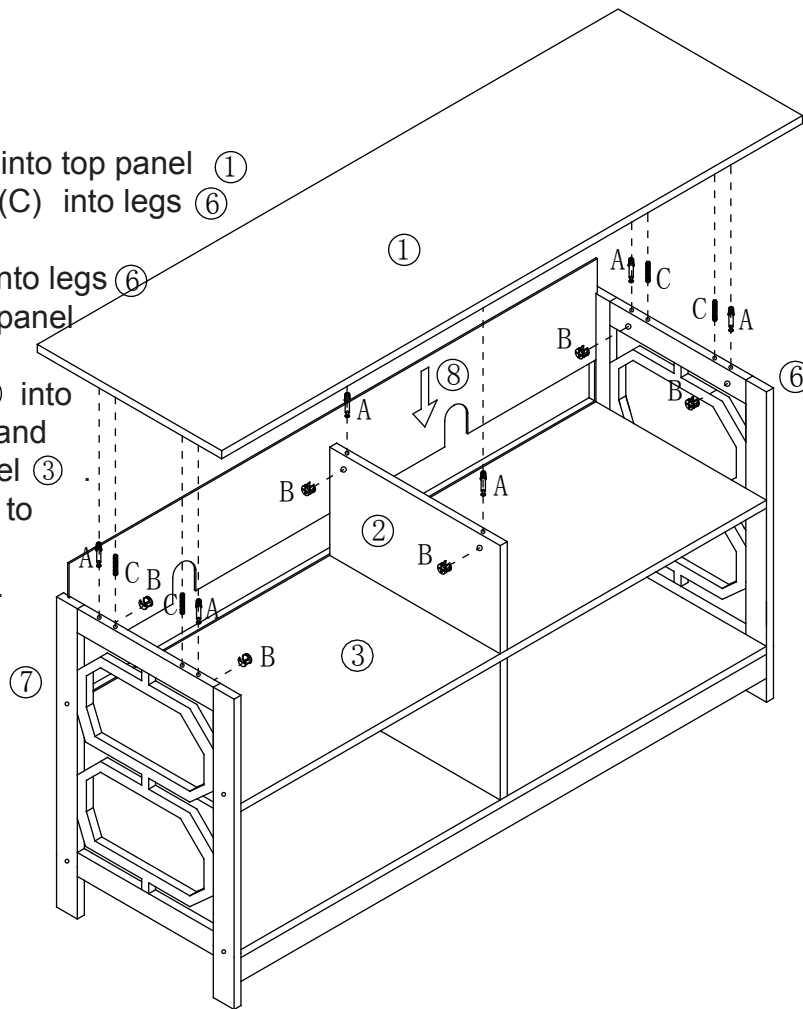


1. Slide back panel ⑩ into slots of ③ and ④ .
2. Screw cambolts (A) and insert wood dowels (C) into legs ⑥ and ⑦ .
3. Attach legs ⑥ and ⑦ to assembly using allen bolts(D) and barrel nuts(E) and camlock hardware as shown.

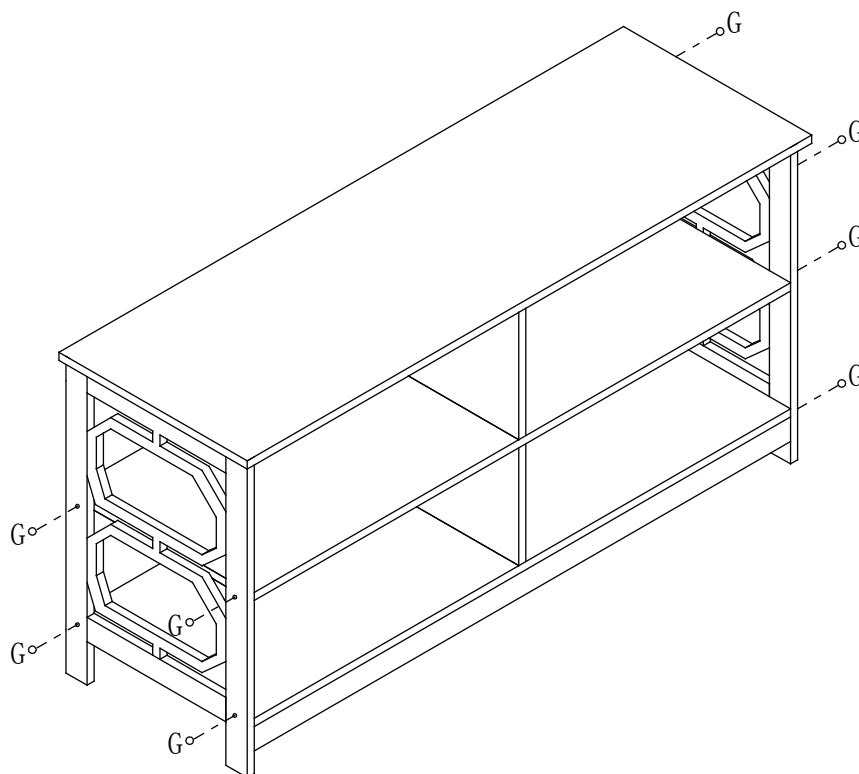
Note: Barrel nut (E) threads must face bolt holes.

Step 5

1. Screw cambolts (A) into top panel ①
Insert wood dowels (C) into legs ⑥
and ⑦ .
2. Insert camlocks (B) into legs ⑥
and ⑦ and divider panel
② as shown.
3. Insert back panel ⑧ into
grooves of legs ⑥ and
⑦ and middle panel ③ .
4. Attach top panel ① to
assembly by gently
tightening camlocks.



Step 6



1. Apply stickers (G) over bolt holes on sides of legs.
2. Enjoy!