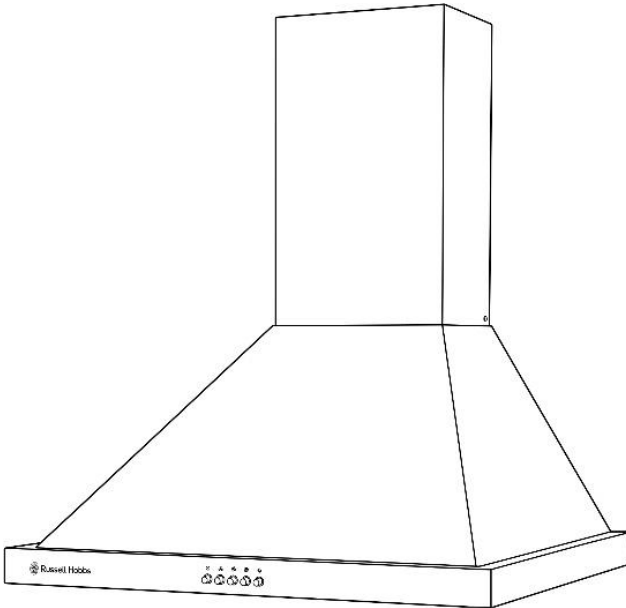




# Russell Hobbs

## Cooker Hood Instruction Manual



### **Model number(s):**

RHSCH601SS-M/B-M – 60cm

RHSCH901SS-M/B-M – 90cm

### **IMPORTANT:**

**RETAIN FOR FUTURE REFERENCE**

# Contents

<b>Safety Instructions</b>	.....	<b>3-6</b>
<b>Product Overview</b>	.....	<b>7</b>
<b>Positioning</b>	.....	<b>8-9</b>
<b>Operating modes</b>	.....	<b>10</b>
<b>Installation</b>	.....	<b>11-14</b>
<b>Usage</b>	.....	<b>15</b>
<b>Cleaning and Maintenance</b>	.....	<b>16-22</b>
<b>Trouble shooting</b>	.....	<b>23</b>
<b>Connection to the mains supply</b>	.....	<b>24</b>
<b>Guarantee</b>	.....	<b>25</b>
<b>Technical specification</b>	.....	<b>26</b>
<b>Notes</b>	.....	<b>27</b>

# Safety Instructions

## Important note:

Please read this booklet before installing and switching on this appliance. The manufacturer assumes no responsibility for incorrect installation and usage as described in this booklet.

**This appliance can be used by children aged from 8 years and above and persons with reduced physical, sensory or mental capabilities or lack of experience and knowledge if they have been given supervision or instruction concerning use of the appliance in a safe way and understand the hazards involved. Children shall not play with the appliance.**

- Children should be supervised to ensure that they do not play with the appliance.
- Children must not clean the appliance or carry out general maintenance unless they are at least 8 years old and are being supervised.
- Keep children below the age of 8 years old at a safe distance from the appliance and power cable.
- If the supply lead is damaged it must be replaced by a qualified person using the correct lead, available from **0345 208 8750**.
- The appliance can only be used safely if it is correctly installed according to the safety instructions. The installer is responsible for ensuring that the appliance works correctly after installation.
- This appliance is intended for domestic use and the household environment only. The appliance is not intended for use outside.
- Do not leave the appliance unattended during operation. The manufacturer is not liable for damage which is caused by improper use or incorrect operation.
- Check the appliance for damage after unpacking it. Do not connect the appliance if it has been damaged in transport.

# Safety Instructions

- This appliance is not intended for operation with an external clock timer or a remote control.
- Packaging material is dangerous to children. Never allow children to play with packaging material.
- **Risk of Death** - Always ensure adequate fresh air in the room if the appliance is being operated in extraction-air mode at the same time as room air-dependent heat-producing appliance(s) are being operated.
- Room air-dependent heat-producing appliances (e.g. gas, oil, wood or coal operated heaters, continuous flow heaters or water heaters) obtain combustion air from the room in which they are installed and discharge the exhaust gases into the open air through an exhaust gas system (e.g. a chimney).
- In combination with an activated vapour extractor hood, room air is extracted from the kitchen and neighbouring rooms – a partial vacuum is produced if not enough fresh air is supplied. Toxic gases from the chimney or the extraction shaft are sucked back into the living space.
  - Adequate incoming air must therefore always be ensured.
  - An incoming/exhaust air wall box alone will not ensure compliance with the limit.
- Safe operation is possible only when the partial vacuum in the place where the heat producing appliance is installed does not exceed 4 Pa (0.04 mbar). This can be achieved when the air needed for combustion is able to enter through openings that cannot be sealed, for example in doors, windows, incoming/ exhaust air wall boxes or by other technical means.

# Safety Instructions

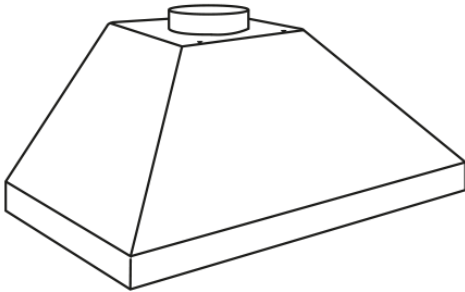
- In any case, consult your responsible Master Chimney Sweep. They will be able to assess the house's entire ventilation setup and will suggest the suitable ventilation measures to you.
- **Risk of Fire** - Grease deposits in the grease filter may catch fire. **Clean the grease filter at least every 2 months.**
- Never operate the appliance without the grease filter.
- Grease deposits in the grease filter may catch fire. Never work with naked flames close to the appliance (e.g. flambéing). Do not install the appliance near a heat producing appliance for solid fuel (e.g. wood or coal) unless a closed, non-removable cover is available. There must be no flying sparks.
- Hot oil and fat can ignite very quickly. Never leave hot fat or oil unattended. Never use water to put out burning oil or fat. Switch off the hotplate. Extinguish flames carefully using a lid, fire blanket or something similar.
- When gas burners are in operation without any cookware placed on them, they can build up a lot of heat. A ventilation appliance installed above the cooker may become damaged or catch fire. Only operate the gas burners with cookware on them.
- Operating several gas burners at the same time gives rise to a great deal of heat. A ventilation appliance installed above the cooker may become damaged or catch fire. Never operate two gas burners simultaneously on the highest flame for longer than 15 minutes. One large burner of more than 5 kW (wok) is equivalent to the power of two gas burners.
- The accessible parts become very hot when in operation. Never touch hot parts. Keep children at a safe distance.

# Safety Instructions

- A defective appliance may cause electric shock. Never switch on a defective appliance. Unplug the appliance from the mains or switch off the circuit breaker in the fuse box. Contact the after-sales service.
- Incorrect repairs are dangerous. Repairs may only be carried out and damaged power cables replaced by one of our trained after-sales technicians. If the appliance is defective, unplug the appliance from the mains or switch off the circuit breaker in the fuse box. Contact the after-sales service.
- Do not use any high-pressure cleaners or steam cleaners, which can result in an electric shock.
- Always switch on the appliance while cooking to avoid condensation. Condensation can produce corrosion damage.
- Always replace faulty bulbs to prevent the remaining bulbs from overloading.
- Risk of damage due to ingress of humidity into the electronic circuitry. Never clean operator controls with a wet cloth. Surface damage due to incorrect cleaning. Clean stainless steel surfaces in the direction of the grain only. Do not use any stainless steel cleaners for operator controls.
- Surface damage due to strong or abrasive cleaning agents. Never use strong and abrasive cleaning agents. Risk of damage from returning condensate. Install the exhaust duct in such a way that it falls away from the appliance slightly (1° slope).
- Components inside the appliance may have sharp edges. Wear protective gloves.
- Items placed on the appliance may fall down. Do not place any objects on the appliance.

# Product overview

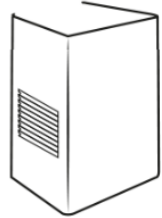
1



2



3



4



5 7 x wall  
Plugs\*



6 7 x large  
screws



7 1 x hood fixing  
bracket



8 1 x flue fixing  
bracket



6 x small screws



9 (2 of the 6 screws  
are spare screws)



*\*Ensure wall  
fittings are  
suitable for the  
wall that is being  
installed on*

1. Hood
2. Lower flue duct
3. Upper flue duct
4. Vent Hose & Clip

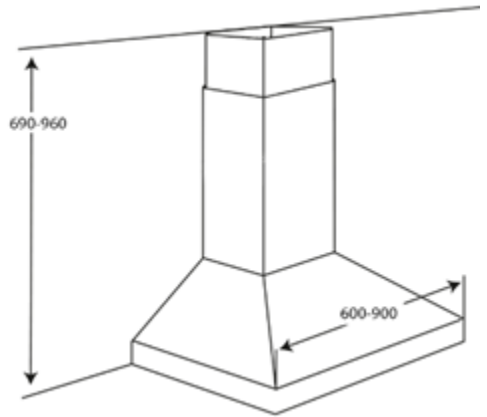
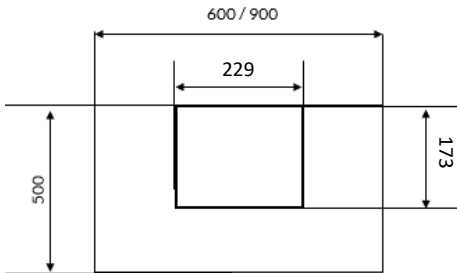
5. Wall Plugs
6. Large Screws
7. Hood Fixing Bracket
8. Flue Fixing Bracket
9. Small Screws

## Positioning

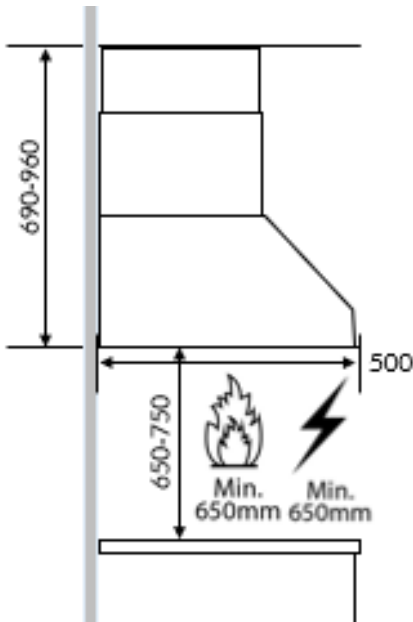
- This appliance is installed on the wall.
- Avoid damaging the product during installation
- The appliance can only be used safely if it is correctly installed according to the safety instructions. The installer is responsible for ensuring that the appliance works correct when installed.
- The width of the extractor hood must correspond at least with the width of the hob.
- For the installation, observe the currently valid building regulations and the regulations of the local electricity and gas suppliers.
- When conveying the exhaust air, official and legal regulations (e.g. state building regulations) must be followed.
- The exhaust air must not be conveyed into a functioning smoke or exhaust gas flue or into a shaft which is used to ventilate installation rooms that contain heating appliances. If the exhaust air is to be conveyed into a non-functioning smoke or exhaust gas flue, you must obtain the consent of the heating engineer responsible.
- Always ensure adequate fresh air in the room if the appliance is being operated in exhaust air mode at the same time as room air-dependent heat-producing appliance is being operated.

# Positioning

## Top view

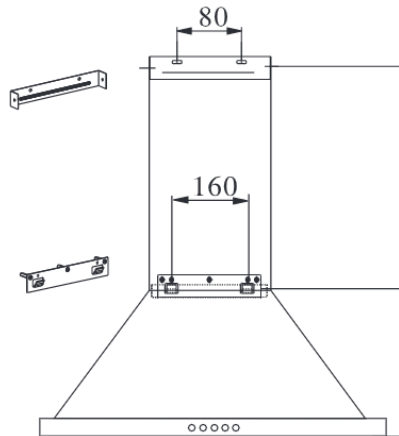


## Side view



Option	Chimney	X
1	400 + 300	390 – 620
2	400 + 390	390 - 710

## Front view



All measurements in the diagram are in millimetres (mm)

# Operating modes

This appliance can be used in exhaust-air mode or circulating air mode.

## **Extraction-air mode**

The air which is drawn in is cleaned by the grease filters and extracted outside by a hose.

### Important Notes:

- The extracted air must not be extracted into a functioning smoke, exhaust gas flue or into a shaft which is used to ventilate installation rooms which contain heat-producing appliances.
- Before the extracted air is extracted into a non-functioning smoke or exhaust gas flue, obtain the consent of the heating engineer responsible.
- If the extracted air is carried through the outer wall, a telescopic wall box should be used.

## **Circulating-air mode**

The air which is drawn in is cleaned by the grease filters and a carbon filter (carbon filter is not supplied with your appliance) and extracted back into the kitchen.

Important Note: To remove odours in circulating-air mode, you must install a carbon filter (carbon filter is not supplied with your appliance) . Please contact Product Care or visit the Russell Hobbs website to purchase carbon filter.

Dependent on use it is recommended that a carbon filters are changed every 2 – 3 months.

# Installation

## Preparation

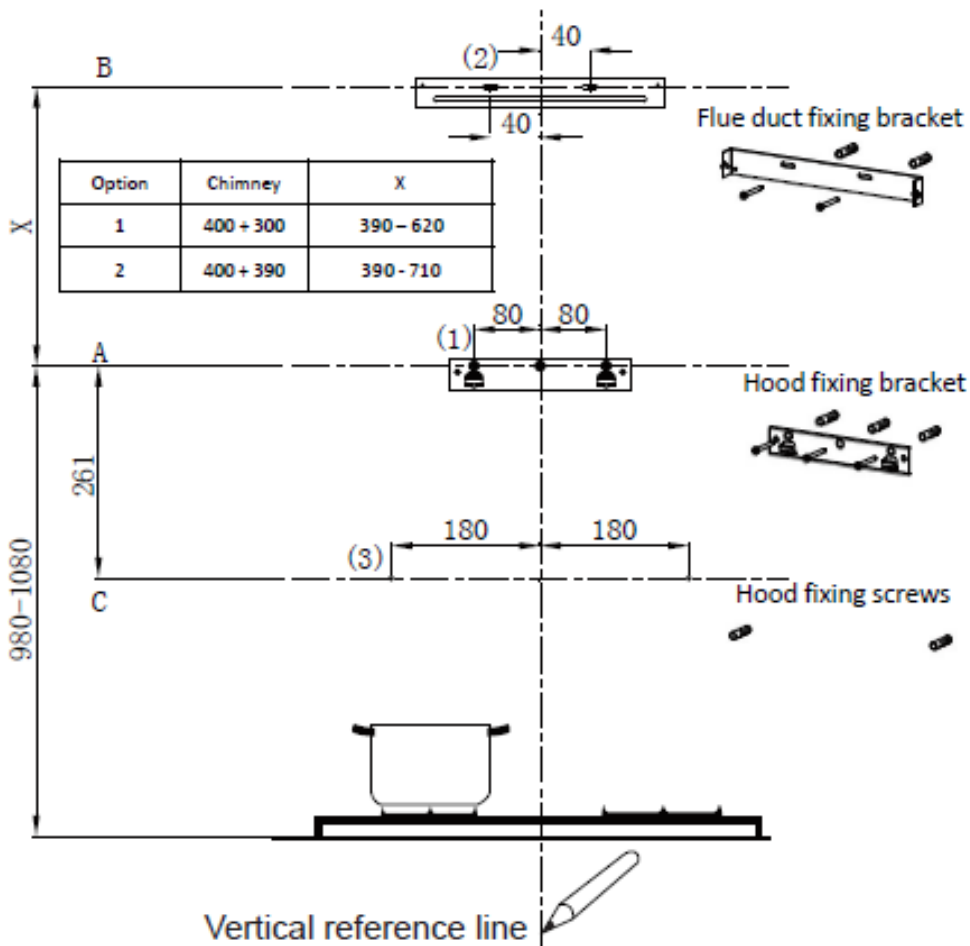
Ensure that there are no electric wires, gas or water pipes in the area where holes are to be made.

1. Ensure that there is an electrical plug socket within adequate distance of the hood after it has been installed.
2. Mark a vertical centre line on the wall from the ceiling to the lower edge of the extractor hood.
3. Mark the positions for the screws and the contour of the attachment area.
4. Drill 3 x 10mm  $\emptyset$  holes to a depth of 50mm for the hood fixing bracket (7) and press the wall plugs\* (5) flush with the wall.
5. Drill 2 x 10mm  $\emptyset$  holes to a depth of 50mm for the flue fixing bracket (8) and press the wall plugs\* (5) flush with the wall (at the appropriate height and will depend on the height of the ceiling).
6. Drill 2 x 10mm  $\emptyset$  holes to a depth of 50mm for the hood fixing screw (6) and press the wall plugs\* (5) flush with the wall (at the appropriate height and will depend on the height of the ceiling).
7. Screw on the hood fixing bracket (7) and flue fixing bracket (8) with the large screws (6).

*\*Ensure wall fittings are suitable for the wall that is being installed on*

# Installation

## Preparation

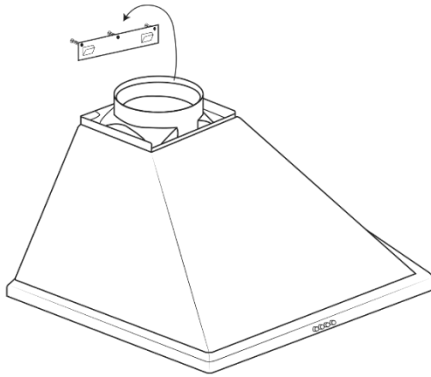


All measurements in the diagram are in millimetres (mm)

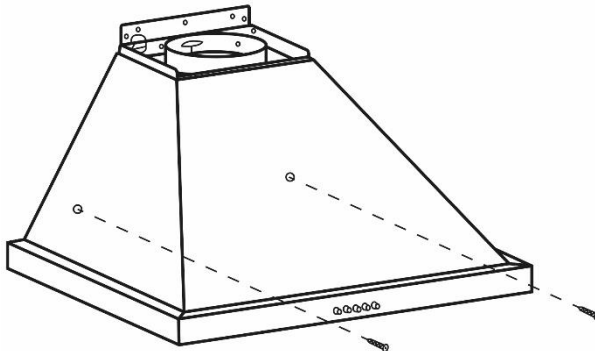
# Installation

## Attaching and aligning the appliance.

1. Partially remove the protective film from the back of the appliance.
2. Hook the appliance on to the hood fixing bracket appliance (ensure the hood is fully hooked onto the hood fixing bracket, as the hooks on the bracket are stepped) and check that it is level with a spirit level.



3. Remove the appliance from the hood fixing bracket and following installation, remove the film completely.
4. Attach the appliance (ensure the hood is fully hooked onto the hood fixing bracket, as the hooks on the bracket are stepped) and then remove the aluminium filters and put in 2 large screws at the back of the hood near the base to fix the hood in place.



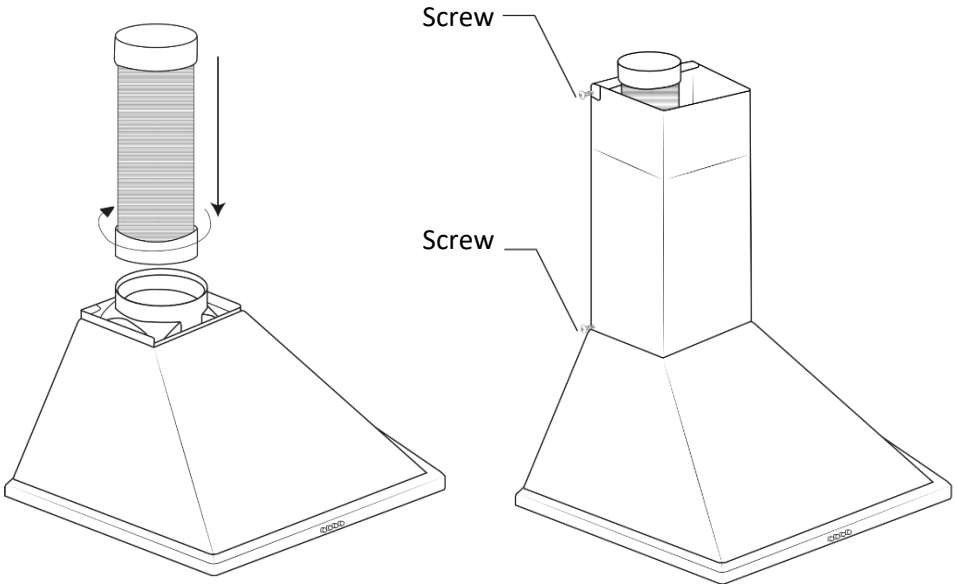
# Installation

## Attaching the flue duct

Components inside the appliance may have sharp edges. Wear protective gloves.

1. Separate the flue ducts.
2. Remove the protective film from both flue ducts.
3. Place the hose on the duct outlet
4. Screw the upper flue duct to the sides of the flue fixing bracket using two small screws.
5. Place the lower flue duct on the appliance and fix in place using two small screws provided.
6. Plug the hood into the electrical plug socket and turn on the socket.

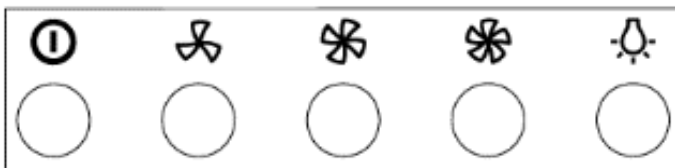
Note: Align the flue duct before tightening the screws.





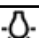


# Usage

Note: Switch on the extractor hood when you start cooking and switch it off again several minutes after you have finished cooking. This is the most effective way of removing the kitchen fumes.

## Control panel



Icon	Explanation
	Fan off
	Fan speed 1 (low)
	Fan speed 2 (medium)
	Fan speed 3 (high)
	Light on and off

## The Fan

Press the fan buttons to set the extraction rate/fan speed that is required  
Press the fan off button to stop the fan

## The Lighting

The lighting can be switched on and off independently of the fan.  
Press the light button once to turn the lights on and then again to turn the lights off.

## **Cleaning and Maintenance:**

### **Important notes:**

- The appliance will become hot during operation, especially near the bulbs. Allow the appliance to cool down before cleaning.
- Penetrating moisture may result in an electric shock. Clean the appliance using a damp cloth only. Before cleaning, pull out the mains plug or switch off the circuit breaker in the fuse box.
- Do not use any high-pressure cleaners or steam cleaners, which can result in an electric shock.
- Components inside the appliance may have sharp edges. Wear protective gloves.

### **How to clean**

Observe the information in the table on the following page to ensure that the different surfaces are not damaged by using the wrong type of cleaning agent. Do not use:

- Harsh or abrasive cleaning agents,
- Cleaning agents with a high concentration of alcohol,
- Hard scouring pads or sponges,
- High-pressure cleaners or steam cleaners.

Wash new sponge cloths thoroughly before use.

Follow all instructions and warnings included with the cleaning agents.

## Cleaning and Maintenance:

Surface type	How to clean
Stainless Steel	<p>Hot soapy water: Clean with a dish cloth and dry with a soft cloth.</p> <p>Clean stainless steel surfaces in the direction of the grain only.</p> <p>Special stainless steel cleaning products are from specialist retailers. Apply a very thin layer of the cleaning product with a soft cloth.</p>
Painted surfaces	<p>Hot soapy water: Clean using a damp dish cloth and dry with a soft cloth/towel. Do not use any stainless steel cleaners.</p>
Aluminium and plastic	<p>Glass cleaner: Clean with a soft cloth.</p>
Glass	<p>Glass cleaner: Clean with a soft cloth. Do not use a glass scraper.</p>
Panel	<p>Hot soapy water: Clean using a damp dish cloth and dry with a soft cloth. Risk of damage to the electronics from penetrating moisture. <b>Never clean operator controls with a wet cloth.</b></p> <p>Do not use any stainless steel cleaners.</p>

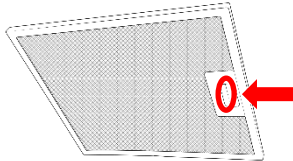
# Cleaning and Maintenance:

## Aluminium grease filters:

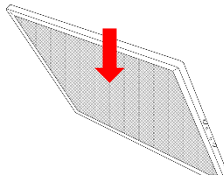
### Removing and installing the Aluminium grease filters:

#### Removing

1. Press the lock in and pull down the aluminium grease filter.



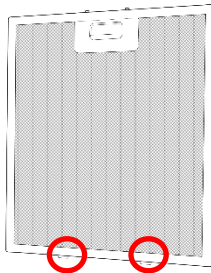
2. Take the filter out of the holder.



3. Clean the filter and allow to dry before replacing (refer to cleaning instructions on the following page).

#### Installing

1. Insert the aluminium grease filter by aligning the 2 metal tabs into the filter holder.



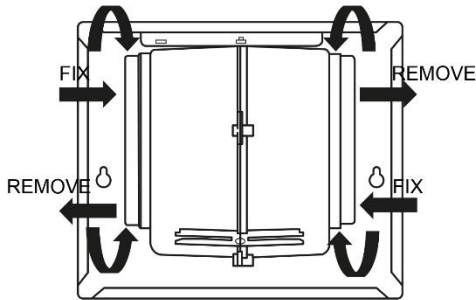
2. Push the filter upwards, locking it in place.

## Cleaning and Maintenance:

### Carbon filters (must be purchased separately):

#### Installing the Carbon grease filters:

1. Remove the Aluminium filter(s) from the hood.
2. You will now be able to access the motor, carefully attached the carbon filters to both ends of the motor.



3. Carbon filters should be replaced after approximately 2-3 months of use.
4. The carbon filters cannot be washed or recycled.

## **Cleaning and Maintenance:**

### **Important notes**

- Grease deposits in the grease filter may catch fire.
- Clean the grease filter at least every 2 months.
- Never operate the appliance without the grease filter.
- Do not use any aggressive, acidic or alkaline cleaning agents.
- When cleaning the aluminium grease filters, also clean the holder filters in the hood using a damp cloth (ensure the hood is turned off).
- The filters can be cleaned in the dishwasher or by hand.

### **Dishwasher:**

1. Do not clean heavily soiled metal mesh grease filters together with utensils.
2. Place the aluminium grease filters loosely in the dishwasher.
3. The filters must not be wedged in.
4. The temperature should be 60°C or less

Note: If the filters are cleaned in the dishwasher, slight discolouration may occur. This has no effect on the function of the metal mesh grease filters.


### **By hand:**

1. Soak the aluminium grease filters in a hot soapy water.
2. Clean the filters with a brush before rinsing them thoroughly.
3. Leave the filters to drain and put them back in to the hood when dry.

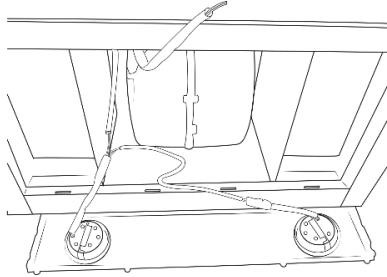
# Cleaning and Maintenance:

## Replacing the light modules

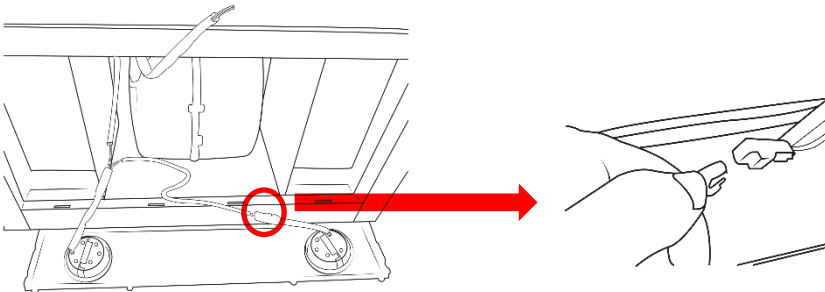
- You cannot replaced the light bulbs, the entire light module has to be replaced.
- When changing the light modules, the contacts are live.
- Before changing the light module(s), unplug the appliance from the mains or switch off the circuit breaker in the fuse box.
- Only use a light module that is the same type and same power (details below)

Diameter	Max Power	Voltage	Image	Lamp cap	ILCOS D code
70mm	1.5W	DC 12V		-	DSR-1.5-5-7

1. Remove the grease filter and carefully remove the front plate (a cross headed screwdriver will be needed to remove the screws from the front plate).

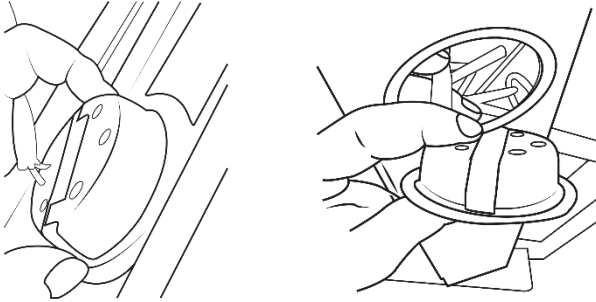


2. Unclip the light module from its terminal

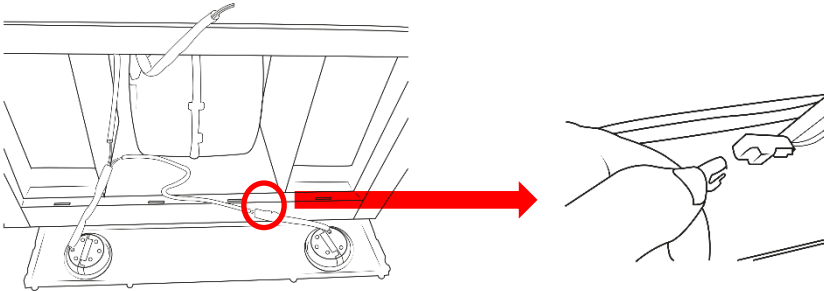


## Cleaning and Maintenance:

3. Remove the light from the its fitting in the front plate (this may require pressure or force to be applied).



4. Put the replacement light module into the fitting (ensuring the terminal is threaded through the fitting) and connect it to the terminal.



5. Replace the front panel (a cross headed screwdriver will be needed to fasten the screws into the front plate) and plug the appliance back into the mains or switch on the circuit breaker in the fuse box

## Trouble Shooting:

Problem	Solution
The appliance does not work	The plug is not plugged in.
	Connect the appliance to the electricity supply.
	Power cut
	Check whether other kitchen appliances are working.
	Faulty fuse  Check in the fuse box to make sure that the fuse for the appliance is working
The lighting does not work	The fan is faulty.
	Contact Product Care or a local engineer.
	The plug is not plugged in  Connect the appliance to the electricity supply.
Excessive vibration	The bulbs are faulty.  For information on changing the bulbs, see the "Replacing Bulbs" section.
Insufficient suction	The hood is not correctly installed, check all screws are tightly fastened.
The hood is not flush against the wall	The hood may have been installed too far away from the hob.
	The screws of the fixing brackets have not been tightened sufficiently.

# Connection to the mains supply

**WARNING-** THIS APPLIANCE MUST BE EARTHED

This appliance is designed to operate from a mains supply of AC220V-AC240V~50Hz. Check that the voltage marked on the product corresponds with your supply voltage.

For UK use only – Plug fitting details (where applicable):

As the colours of the wires in the mains lead of this appliance may not correspond with the coloured markings identifying the terminals in your plug, proceed as follows:

The GREEN/YELLOW wire is the EARTH and must be connected to the terminal which is marked with the letter E or by the earth symbol or coloured GREEN or GREEN/YELLOW.

The BLUE wire is the NEUTRAL and must be connected to the terminal marked with the letter N or coloured BLACK.

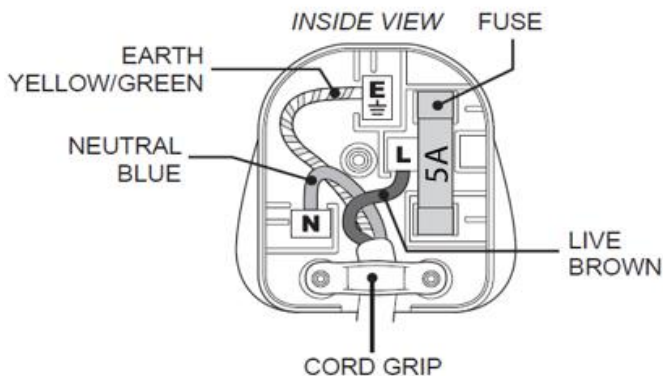
The BROWN wire is the LIVE wire and must be connected to the terminal marked with the letter L or coloured RED.

Always ensure that the plug cord grip is fastened correctly.

If a 5A (BS1363) fused plug is used it must be fitted with a 5amp fuse conforming to BS1362 and be BSI or ASTA approved.



**DANGER**  
**Electric**  
**Shock Risk**



# Guarantee

This product is guaranteed for 12 months from the date of the original purchase. If any defect arises due to faulty materials or workmanship you must contact Product Care with the original proof of purchase so a replacement or refund can be arranged.

Refund or replacement is at the discretion of Product Care.

## The following conditions apply:

- Product Care will require a valid proof of purchase at the point of replacement or refund.
- The product must be installed and used in accordance with the instructions contained in this instruction guide and any other instructions for use which has been supplied.
- It must be used for domestic purposes only and for its intended use.
- This guarantee does not cover wear and tear, damage, misuse or consumable parts.

**This does not affect your statutory rights.**

Region	Contact	Website
UK & Northern Ireland	0345 209 7461	mda.russellhobbs.com
Ireland	1 800 938982	ie.mda.russellhobbs.com
Rest of Europe	europe@productcaregroup.com	de.mda.russellhobbs.com fr.mda.russellhobbs.com es.mda.russellhobbs.com it.mda.russellhobbs.com nl.mda.russellhobbs.com

# Technical Specification

<b>Model number</b>	<b>RHSCH601SS-M/B-M</b>
Rated Voltage	220V – 240V ~ 50Hz
Rated input	108W
External Dimensions(HxWxD)	690-960 mm x 600mm x 500mm
Extraction rate	440m <sup>3</sup> /h
Light power	2 x 1.5W LED bulbs

<b>Model number</b>	<b>RHSCH901SS-M/B-M</b>
Rated Voltage	220V – 240V ~ 50Hz
Rated input	108W
External Dimensions(HxWxD)	690/960 mm x 900mm x 500mm
Extraction rate	440m <sup>3</sup> /h
Light power	2 x 1.5W LED bulbs

# Notes



# Russell Hobbs

Made by Product Care Trading Limited under license from Spectrum Brands (UK) Limited. Product Care Trading Ltd, Unit 1, Green Bank Business Park, Swan Lane, Hindley Green, Wigan, WN2 4AY, United Kingdom

Product Care (Ireland) Ltd, Unit 3D North Point House, North Point Business Park, New Mallow Road, Cork, T23 AT2P, Ireland. Russell Hobbs is the registered trademark of Spectrum Brands (UK) Ltd.

**UK  
CA**



The 'wheellie bin' symbol is known as the 'Crossed-out wheellie bin Symbol'.

When this symbol is marked on a product/batteries, it means that the product/batteries should not be disposed of with your general household waste. Only discard electrical/electronic/battery items in separate collection schemes, which cater for the recovery and recycling of materials contained within. Your co-operation is vital to ensure the success of these schemes and for the protection of the environment. For your nearest disposal facility, visit [www.recycle-more.co.uk](http://www.recycle-more.co.uk) or ask in store for details.

SEDEX – Connecting businesses and their global suppliers to share ethical data and enabling improvement in ethical performance. Visit [www.sedex.org.uk](http://www.sedex.org.uk) for further information.

We reserve the right, due to possible changes to design, to alter the instruction manual without prior notice.