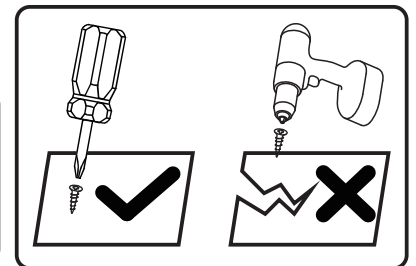
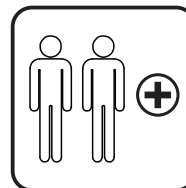
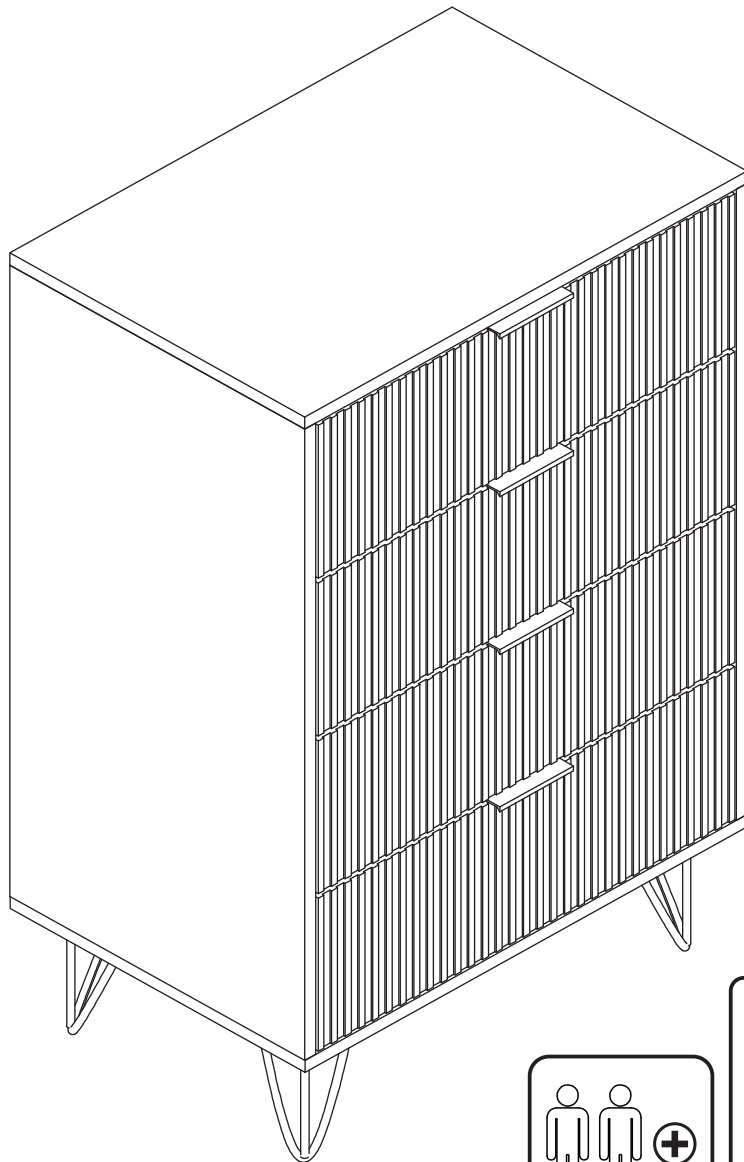


# ASSEMBLY INSTRUCTIONS



## Tools Recommended

THIS INSTRUCTIONS CONTAINS IMPORTANT SAFETY INFORMATION.  
PLEASE READ BEFORE ASSEMBLY AND KEEP FOR FUTURE REFERENCE.

*Need Parts or Assistance? Email us*

# IMPORTANT NOTICE

- This product contains small components, please ensure that they are kept away from small children.
- THIS INSTRUCTIONS CONTAINS IMPORTANT SAFETY INFORMATION. PLEASE READ BEFORE ASSEMBLY AND KEEP FOR FUTURE REFERENCE.
- Read each step carefully. It is very important that each step of instruction is performed in the correct order. If these steps are not followed in sequence, assembly difficulties will occur.
- Make sure all parts are included. Most parts are labelled or stamped on the raw edge.
- Work in spacious area, preferably on a carpet, near the place the unit will be used.
- Do not use power tools to assemble your furniture. Power tools may strip or damage the parts.
- Move your new furniture carefully, with two people lift and carry the unit to it's new location.
- Never push, drag or pull your furniture (especially on carpet)



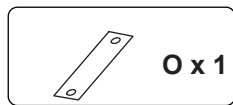
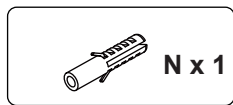
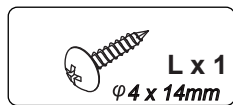
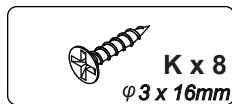
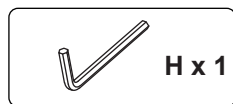
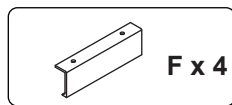
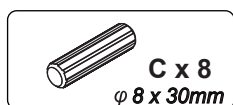
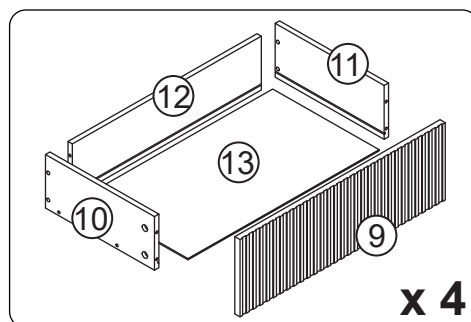
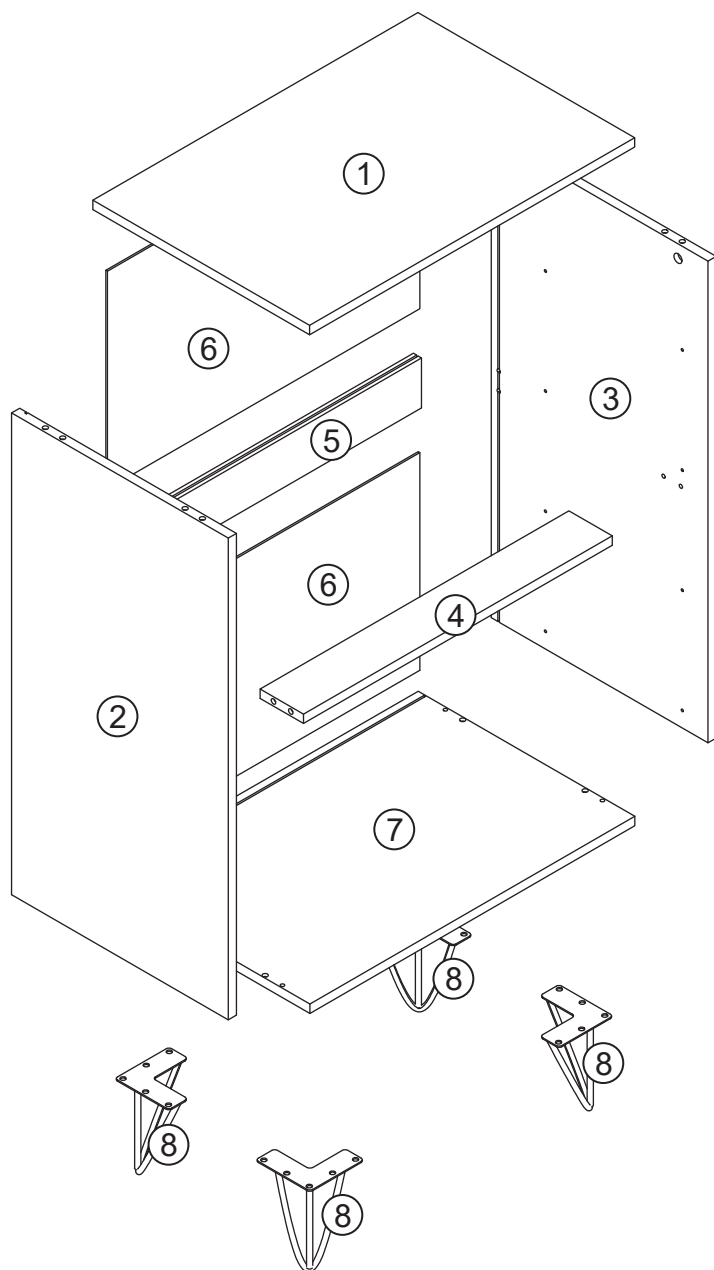
## PLEASE DO NOT RETURN PRODUCT TO US IMMEDIATELY

If a part is missing or damaged, email our customer service. We will gladly ship your replacement parts FREE of charge.

Need Parts or Assistance? Email us

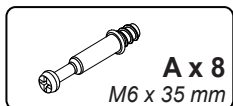
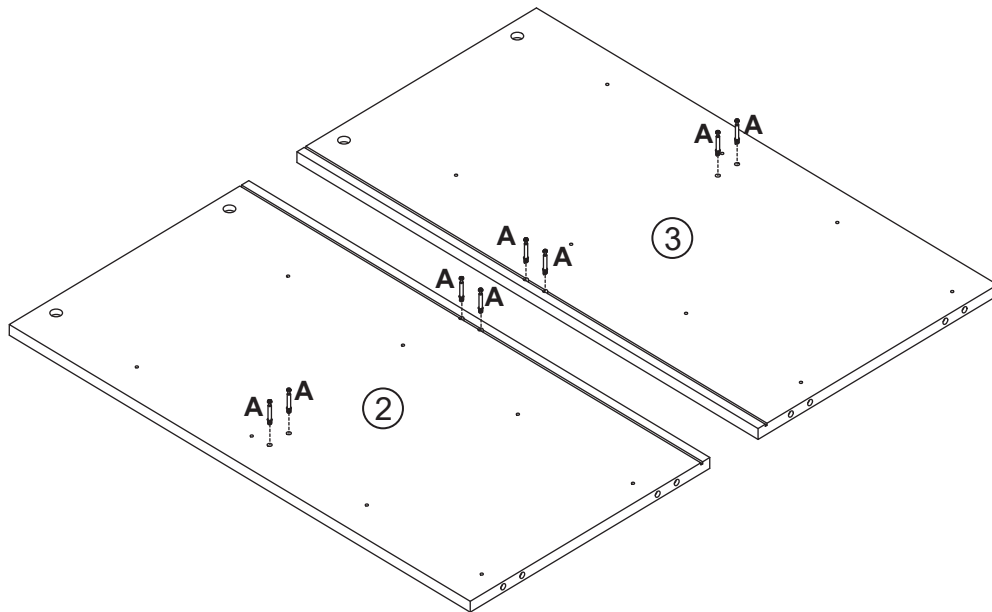
For Prompt, reliable service, please have your assemble instruction ready.

 <b>WARNING</b>	
	<p><b>Children have died from furniture tipover. To reduce the risk of furniture tipover:</b></p> <ul style="list-style-type: none"><li>• ALWAYS install tipover restraint provided.</li><li>• NEVER put a TV on this product.</li><li>• NEVER allow children to stand, climb or hang on drawers, doors, or shelves.</li><li>• NEVER open more than one drawer at a time.</li><li>• Place heaviest items in the lowest drawers.</li></ul>
	



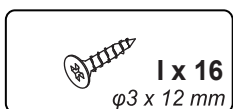
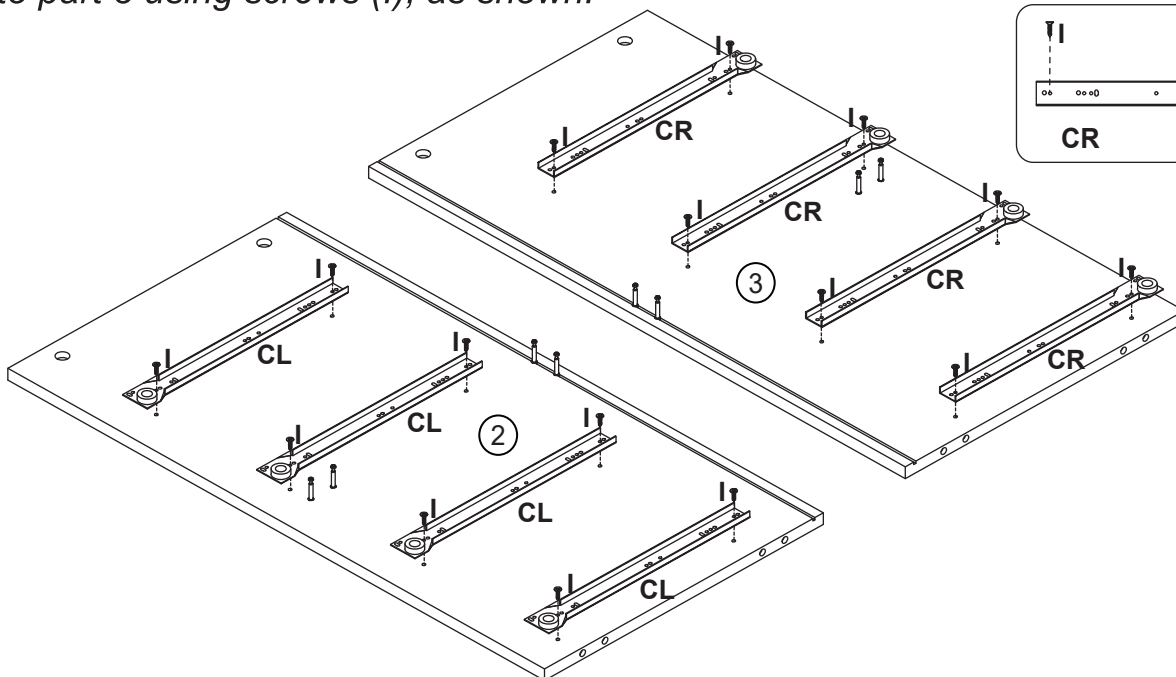
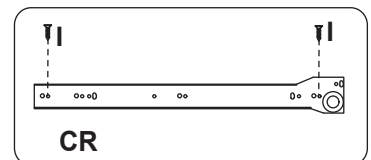
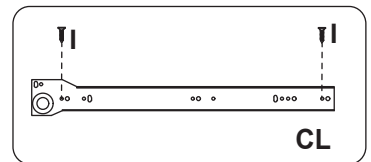
# Step 1

Fix screws (A) to panel 2 & 3, as shown.



# Step 2

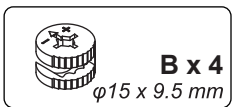
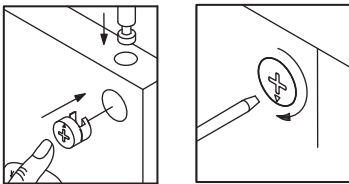
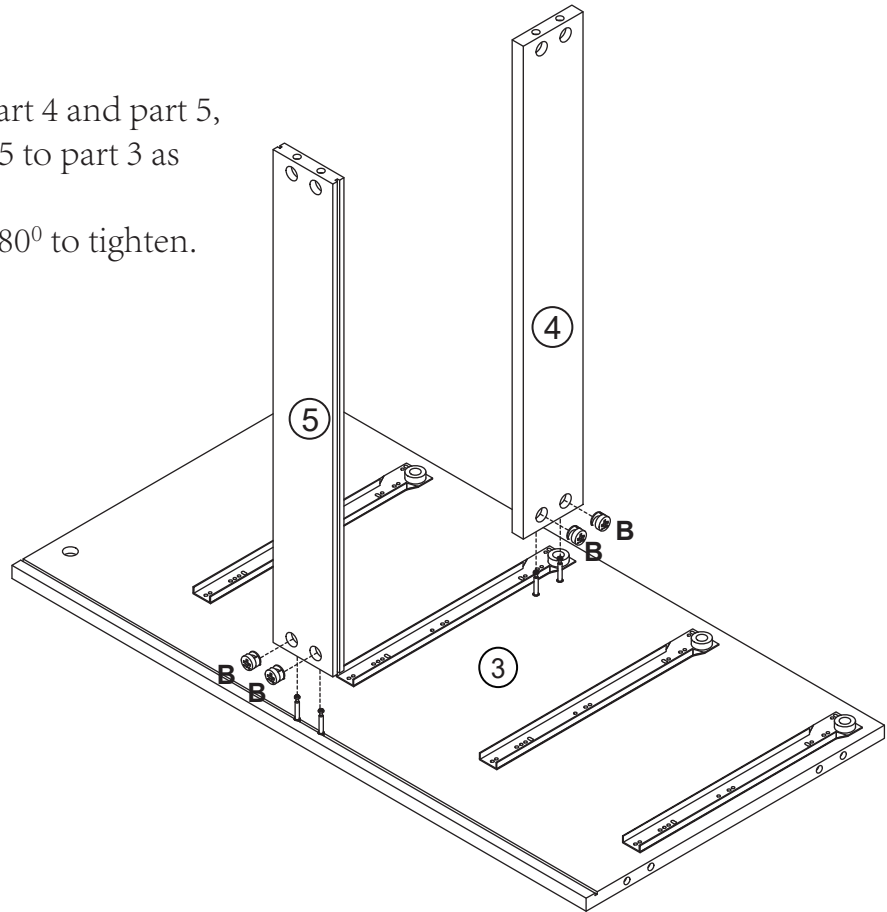
Fix rails (CL) to part 2 and fix rails (CR) to part 3 using screws (I), as shown.



## Step 3

Insert cam locks (B) into part 4 and part 5, then attach part 4 and part 5 to part 3 as shown.

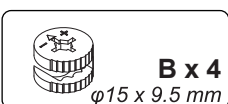
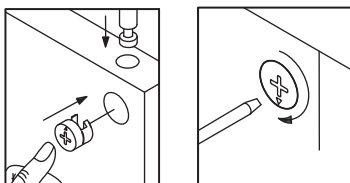
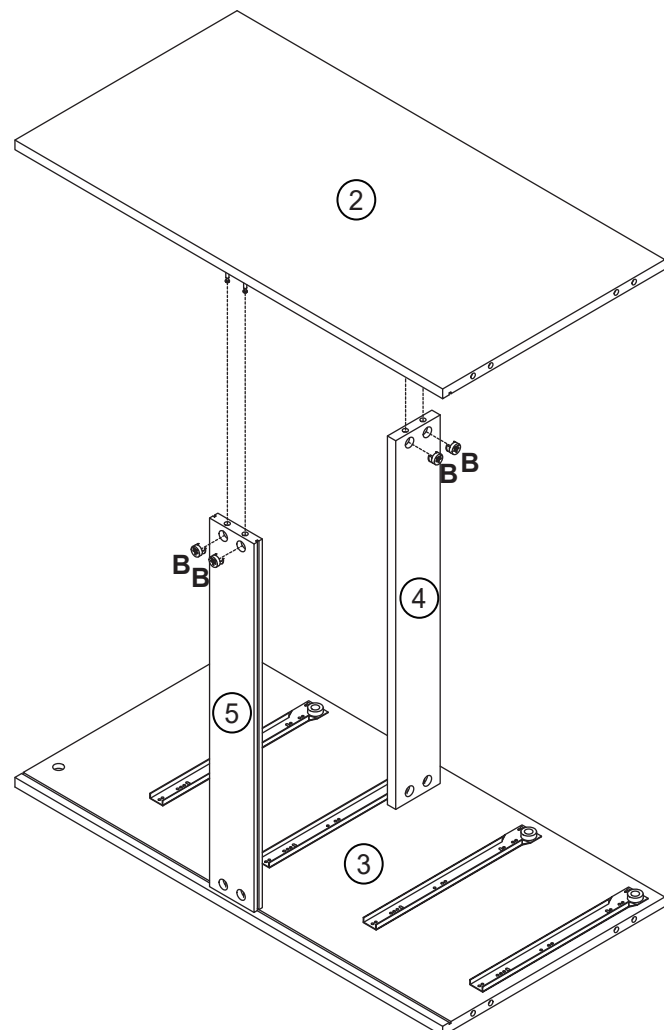
Turn cam lock clockwise 180° to tighten.



## Step 4

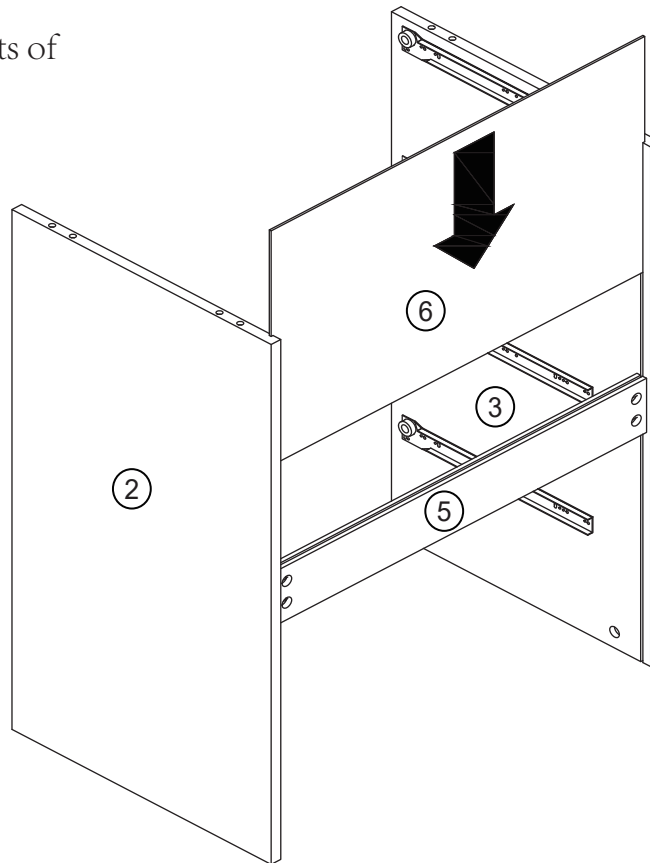
Insert cam locks (B) into part 4 and part 5, then attach part 2 to part 4 and part 5 as shown.

Turn cam lock clockwise 180° to tighten.



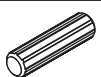
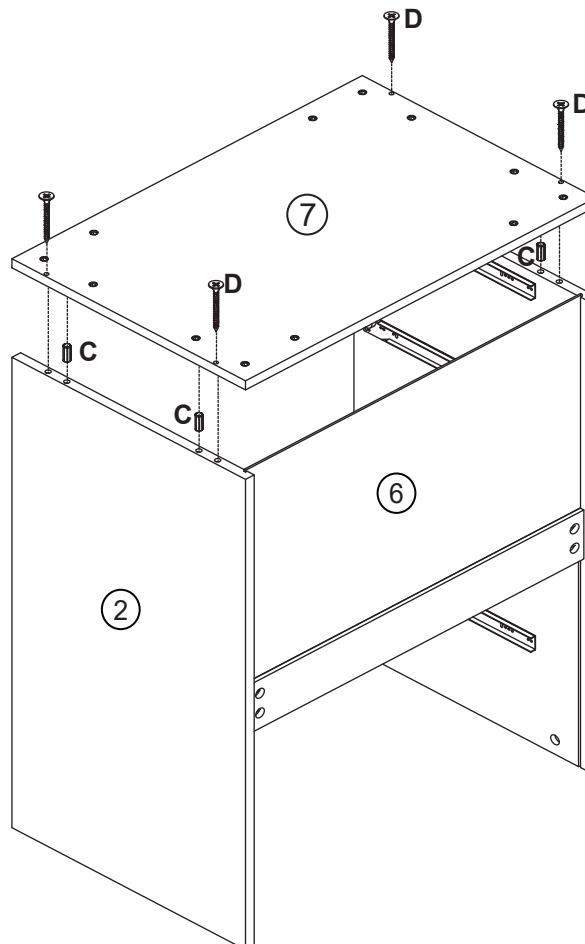
## Step 5

Slide part 6 into available slots of assembled unit, as shown.

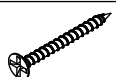


## Step 6

Insert wooden dowels (C) into part 2 and part 3, then attach part 7 to the assembled unit and fix it with screws (D), as shown.



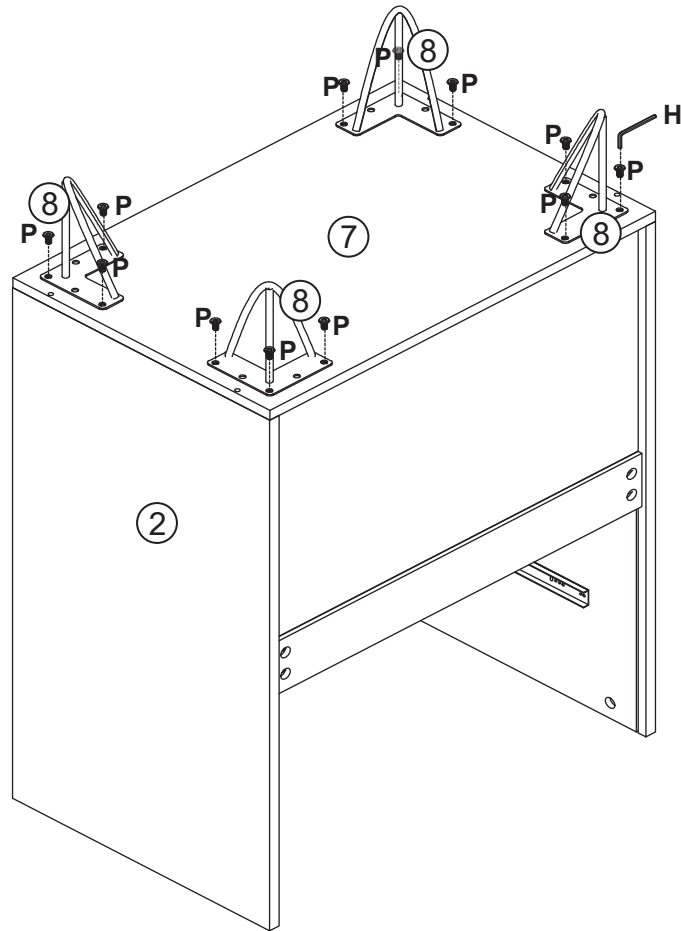
**C x 4**  
 $\varnothing 8 \times 30\text{mm}$



**D x 4**  
 $\varnothing 4 \times 35\text{mm}$

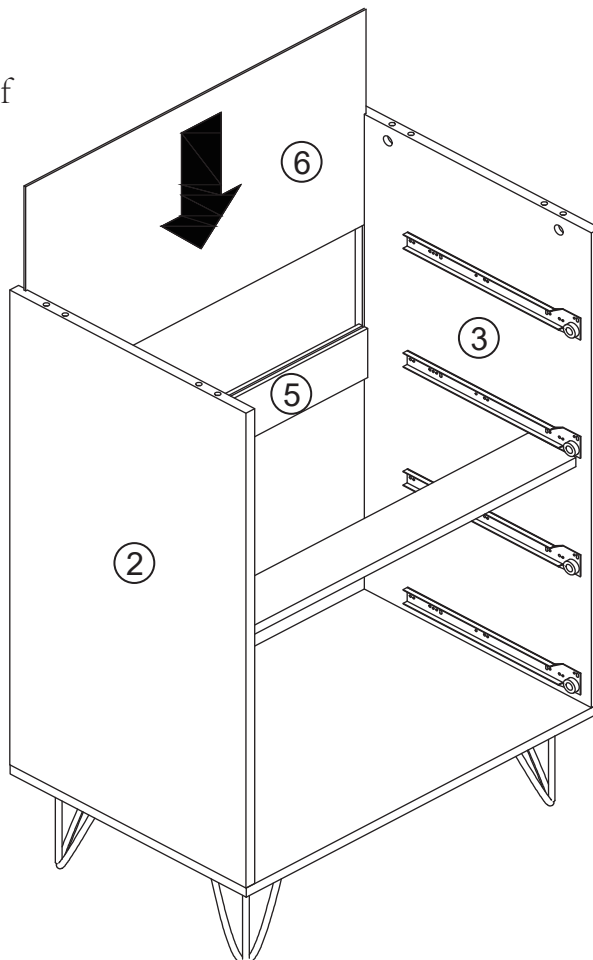
## Step 7

Fix legs (part 8) to part 7 using screws (P). Turn them tight using allen wrench (H), as shown.



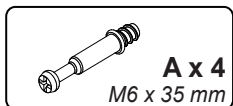
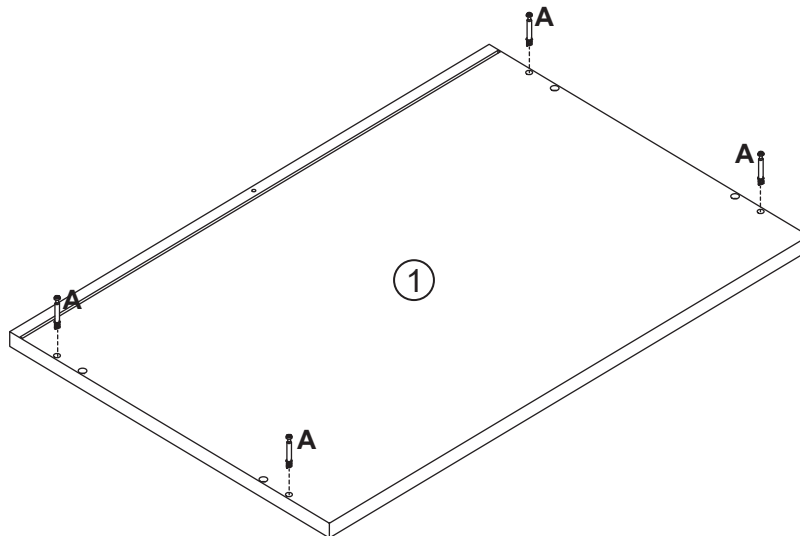
## Step 8

Slide part 6 into available slots of assembled unit, as shown.



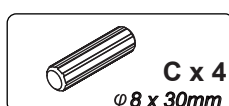
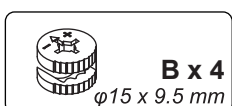
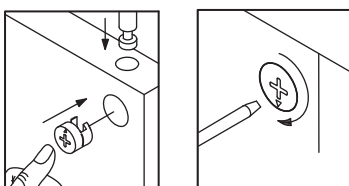
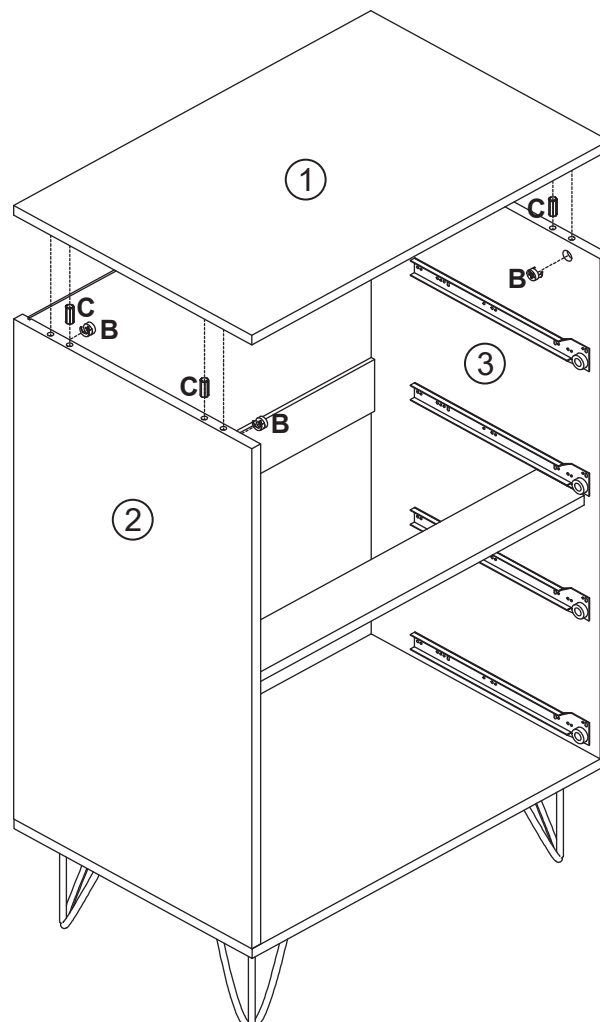
## Step 9

Fix screws (A) to panel 1, as shown.



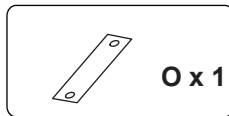
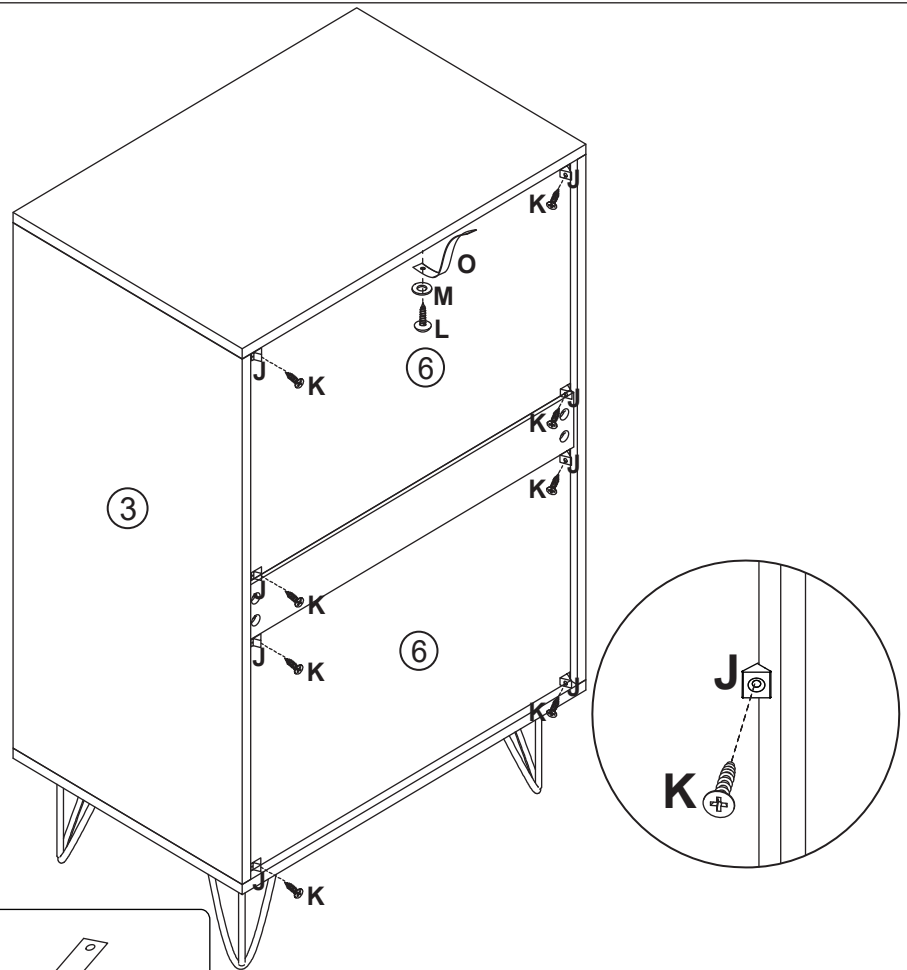
## Step 10

Insert cam locks (B) and wood dowels (C) into part 2 and part 3, then attach part 1 and turn cam locks clockwise 180° to tighten, as shown.



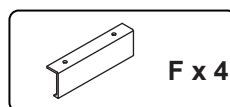
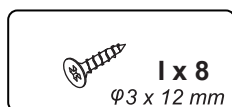
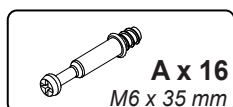
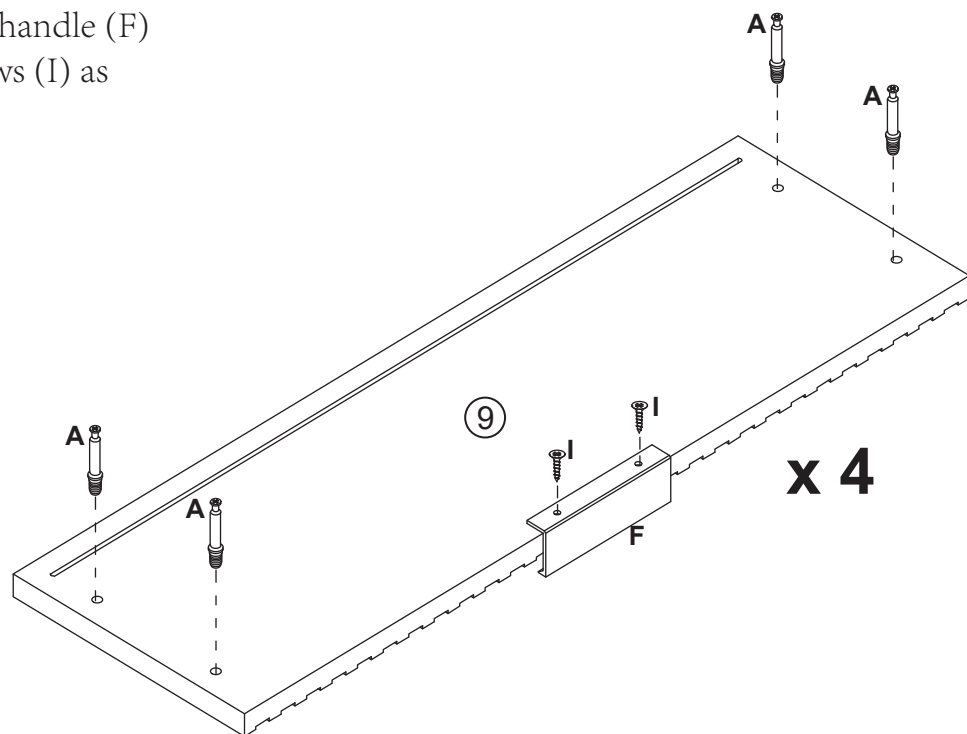
## Step 11

Fix (J) on corners of part 6 using screws (K), as shown. Attach anti-tipping strap (O) to part 1 using screw (L) and gasket (M), as shown.



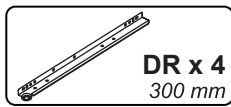
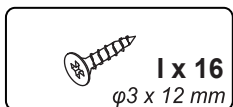
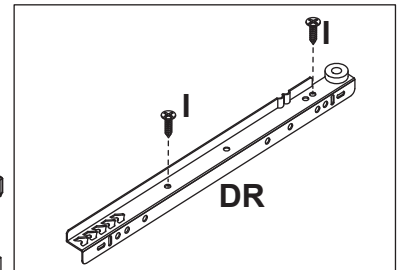
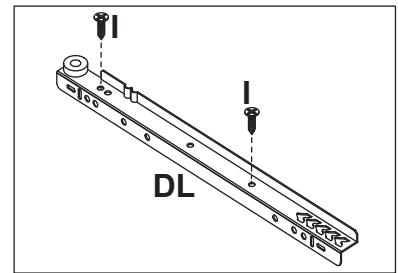
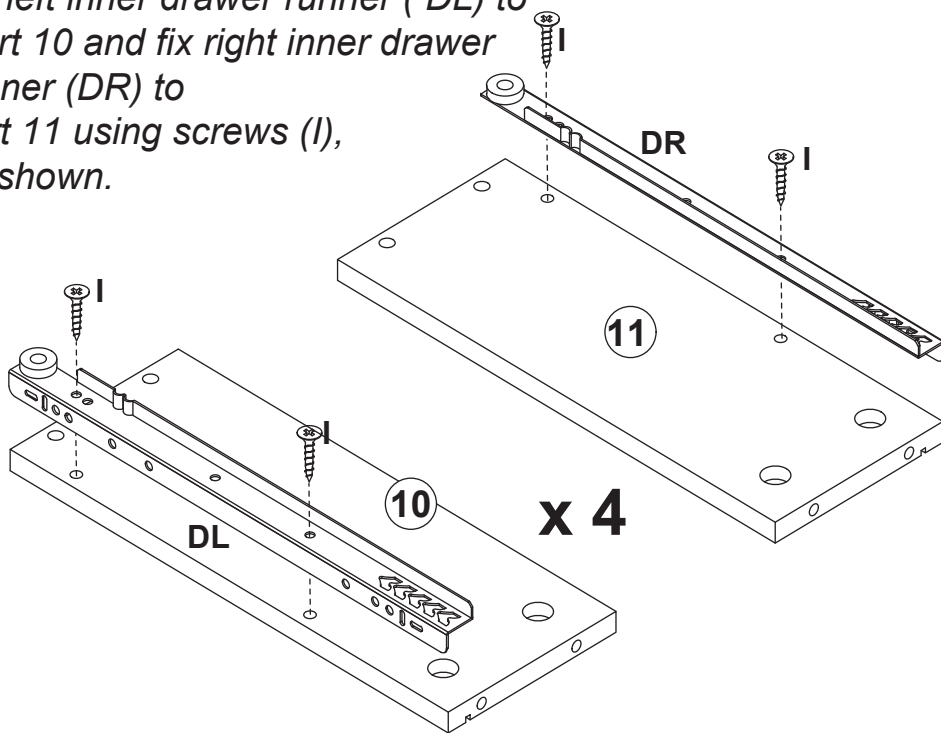
## Step 12

Fix screws (A) to part 9 as shown, then attach handle (F) to part 9 using screws (I) as shown.



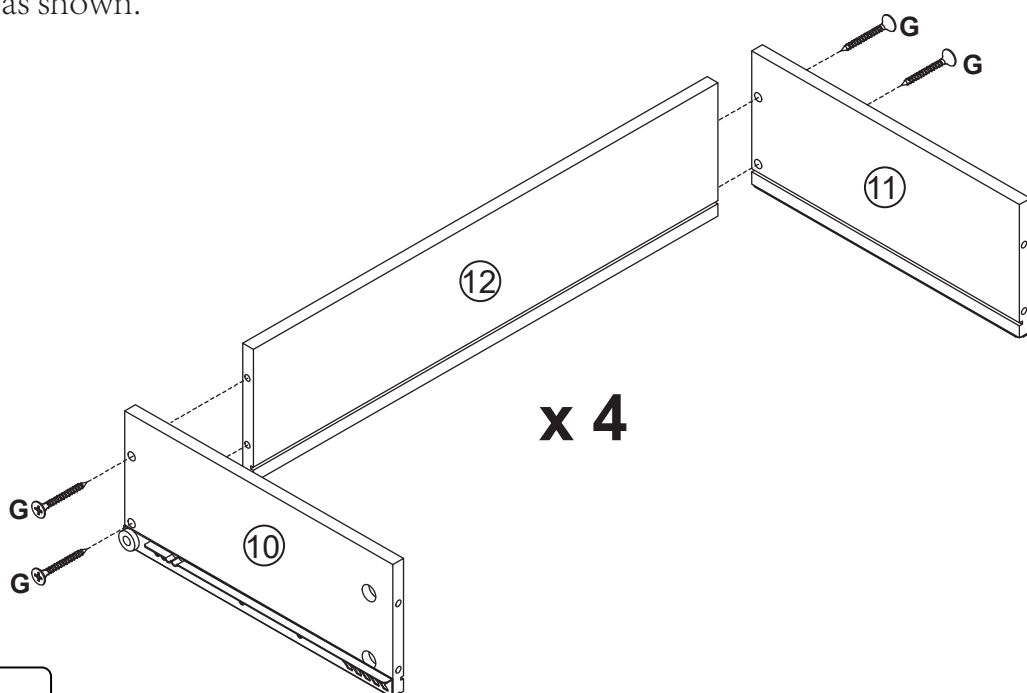
## Step 13

Fix left inner drawer runner (DL) to part 10 and fix right inner drawer runner (DR) to part 11 using screws (I), as shown.



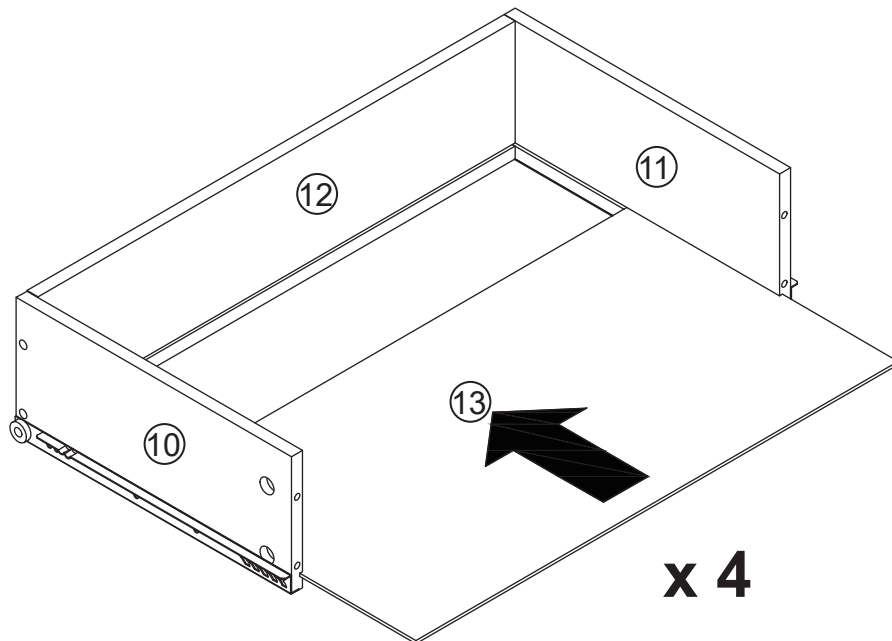
## Step 14

Attached part 10 and part 11 to part 12 using screws (G), as shown.



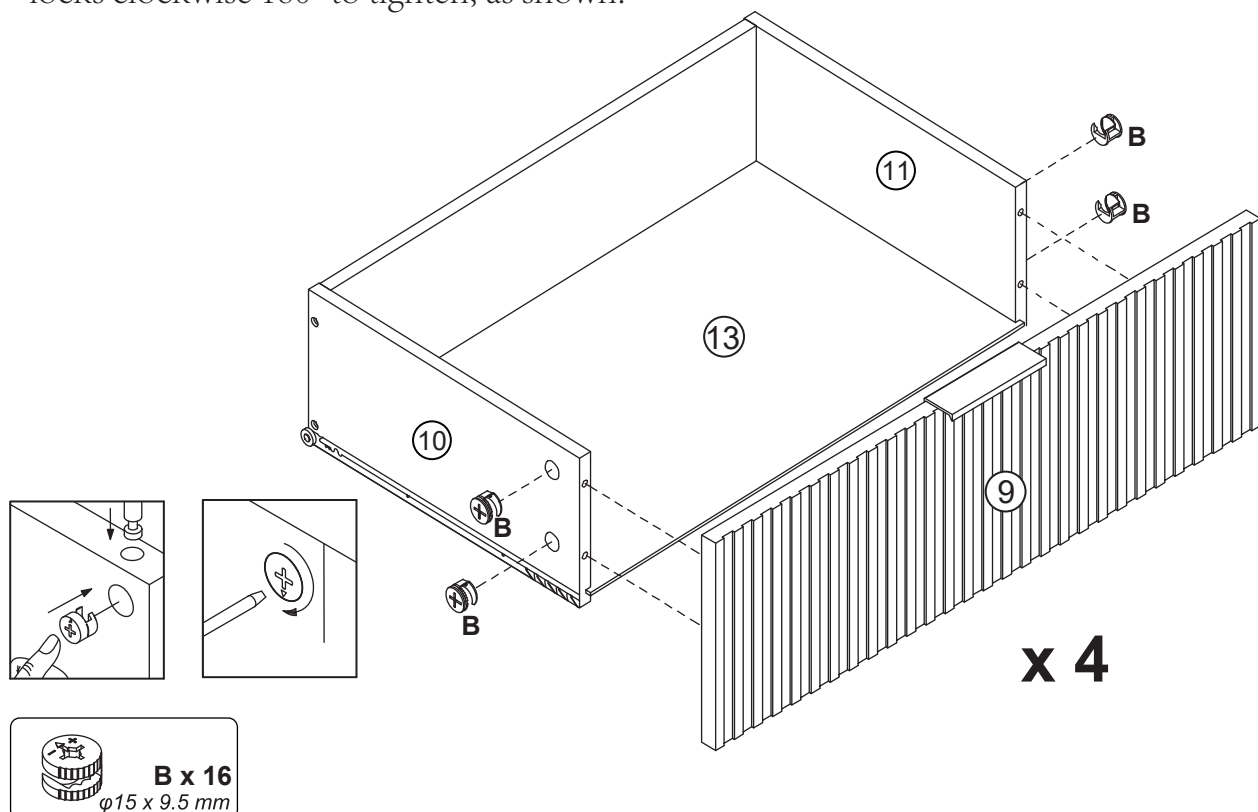
## Step 15

Slide part 13 to the available slots of the assembled unit as shown.



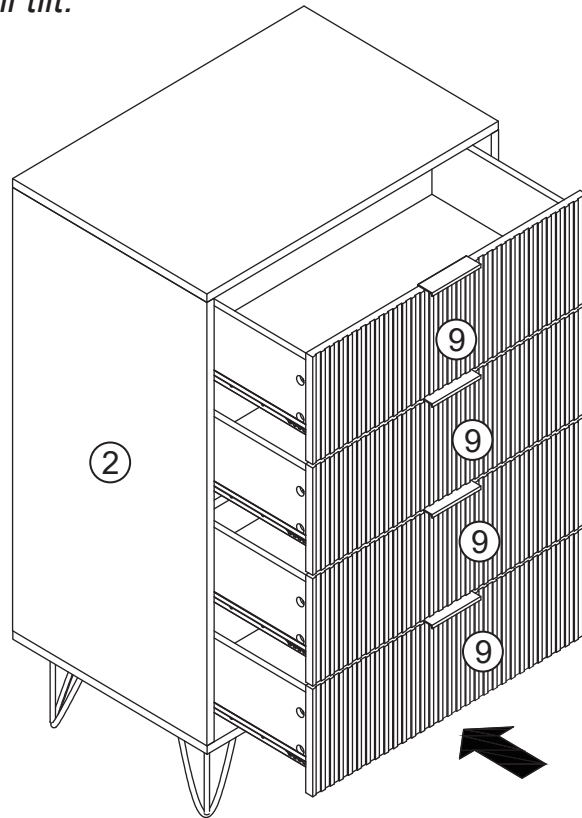
## Step 16

Insert cam locks (B) into part 10 and part 11, then attach part 9 to the assembled unit, turn cam locks clockwise 180° to tighten, as shown.



## Step 17

*The drawer slides must be aligned with the internal rails, otherwise the drawer will tilt.*



## Step 18

*Install anti-tipping device to the wall as shown.*

